



US00D613201S

(12) **United States Design Patent**  
**Orr**

(10) **Patent No.:** **US D613,201 S**

(45) **Date of Patent:** **\*\* Apr. 6, 2010**

(54) **BELT BUCKLE**

(57) **CLAIM**

(76) **Inventor:** **Ryan Orr**, Box 837 Ohuedale Rondburg  
2158, Douglasdale (ZA)

The ornamental design for a belt buckle, as shown and described.

(\*\*) **Term:** **14 Years**

**DESCRIPTION**

(21) **Appl. No.:** **29/337,815**

FIG. 1 is a perspective view of a belt buckle according to a first embodiment of the design;

(22) **Filed:** **May 29, 2009**

FIG. 2 is a perspective view of the disassembled belt buckle;

(51) **LOC (9) Cl.** ..... **02-07**

FIG. 3 is a front view of the belt buckle;

(52) **U.S. Cl.** ..... **D11/231**

FIG. 4 is a rear view of the belt buckle;

(58) **Field of Classification Search** ..... D11/200-238;  
24/614-615, 616, 625, 650, 199-200, 170,  
24/30.5 R, 318; D2/625-629

FIG. 5 is a plan view of the belt buckle

See application file for complete search history.

FIG. 6 is a bottom view of the belt buckle;

FIG. 7 is a side view of the belt buckle

(56) **References Cited**

FIG. 8 is a view from an opposing side of the belt buckle;

**U.S. PATENT DOCUMENTS**

FIG. 9 is a perspective view of a belt buckle according to a second embodiment of the design;

D277,052 S \* 1/1985 Baron ..... D11/231

FIG. 10 is a perspective view of the disassembled belt buckle;

D380,177 S \* 6/1997 Fletcher ..... D11/231

FIG. 11 is a front view of the belt buckle;

D474,130 S \* 5/2003 Rezania ..... D11/231

FIG. 12 is a rear view of the belt buckle;

D581,836 S \* 12/2008 Bettinardi ..... D11/231

FIG. 13 is a plan view of the belt buckle;

FIG. 14 is a bottom view of the belt buckle;

\* cited by examiner

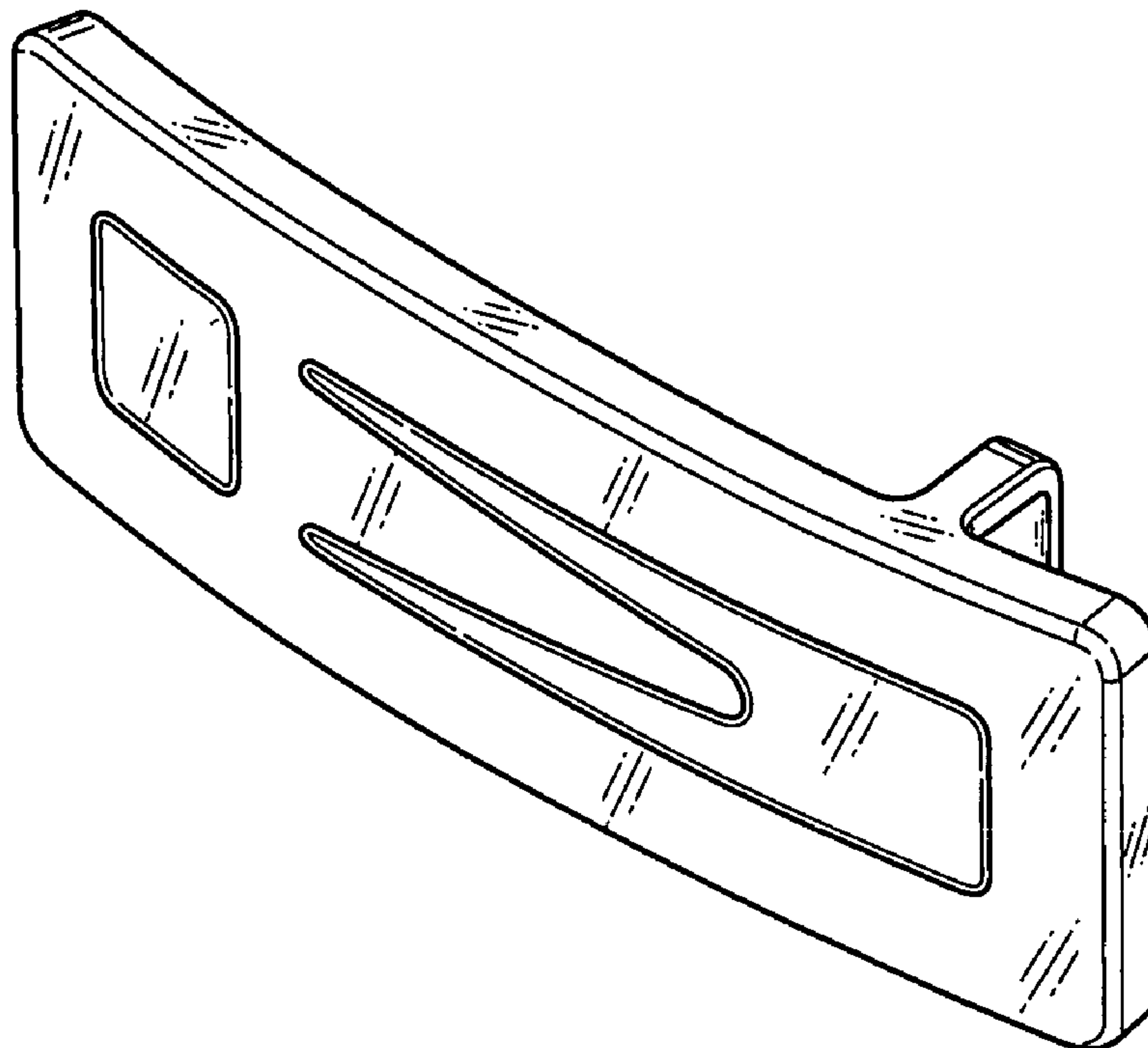
FIG. 15 is a side view of the belt buckle; and,

FIG. 16 is a view from an opposing side of the belt buckle.

*Primary Examiner*—Catherine R Oliver

(74) *Attorney, Agent, or Firm*—Tutunjian & Bitetto, P.C.

**1 Claim, 6 Drawing Sheets**



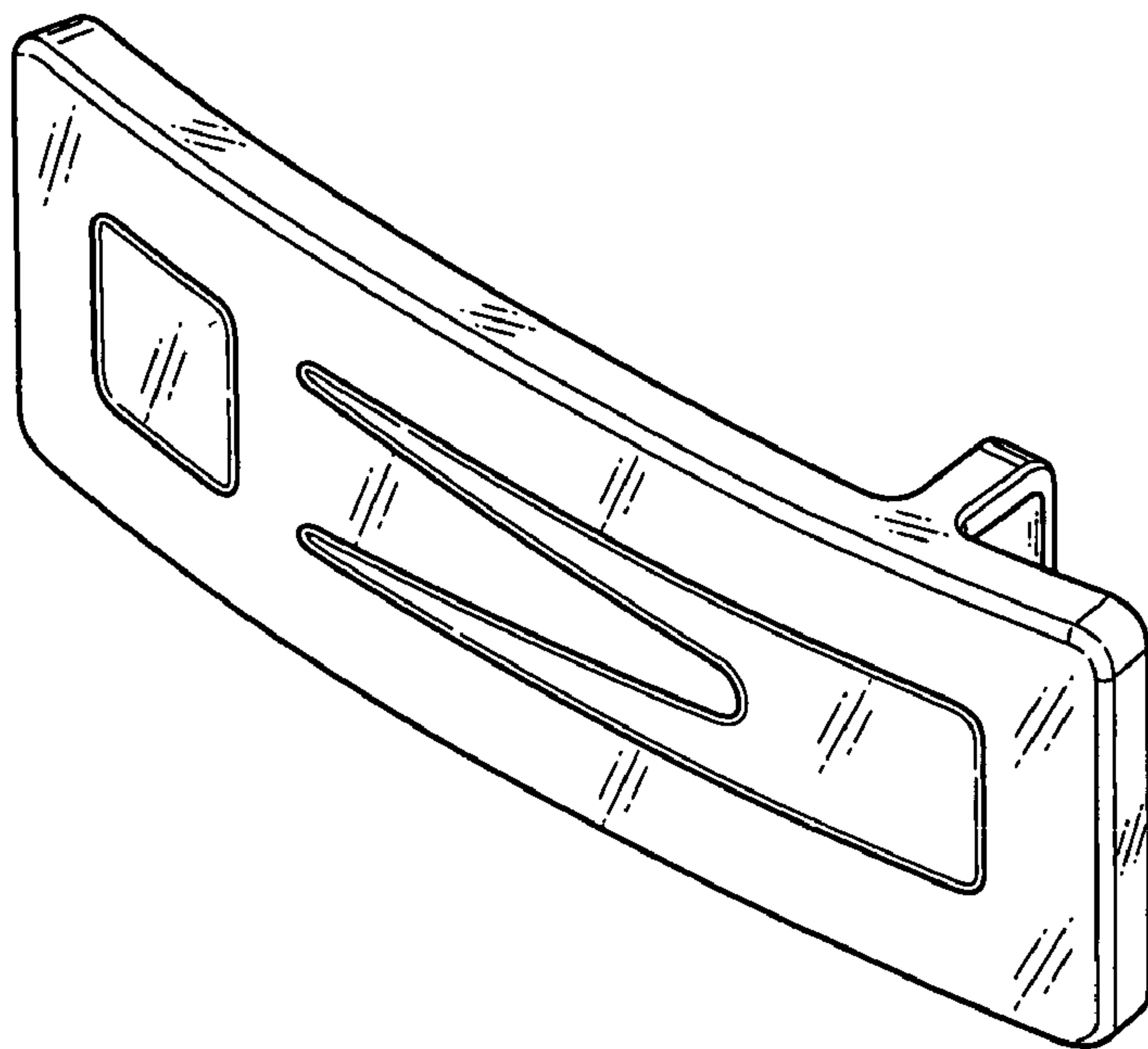


FIG. 1

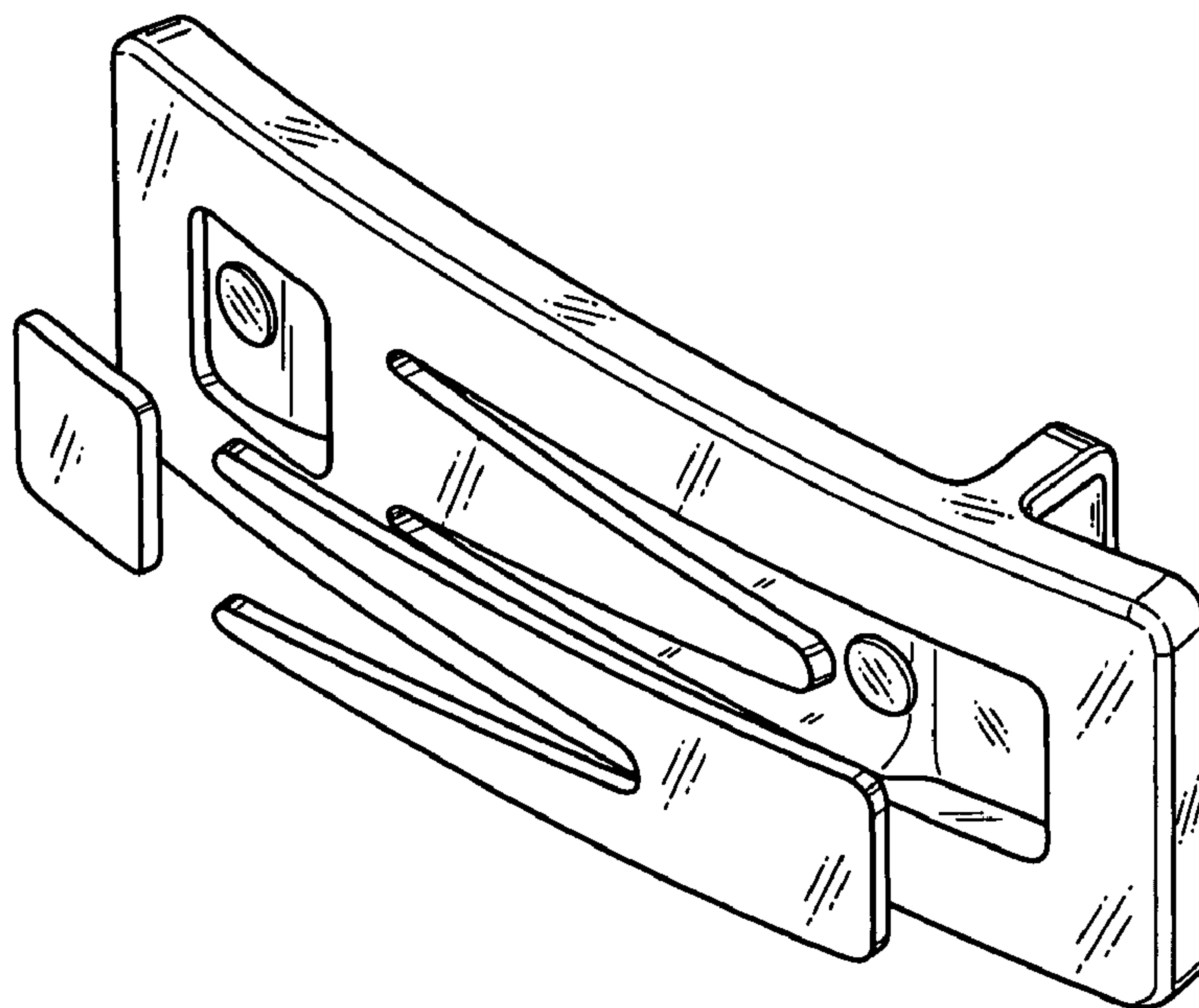


FIG. 2

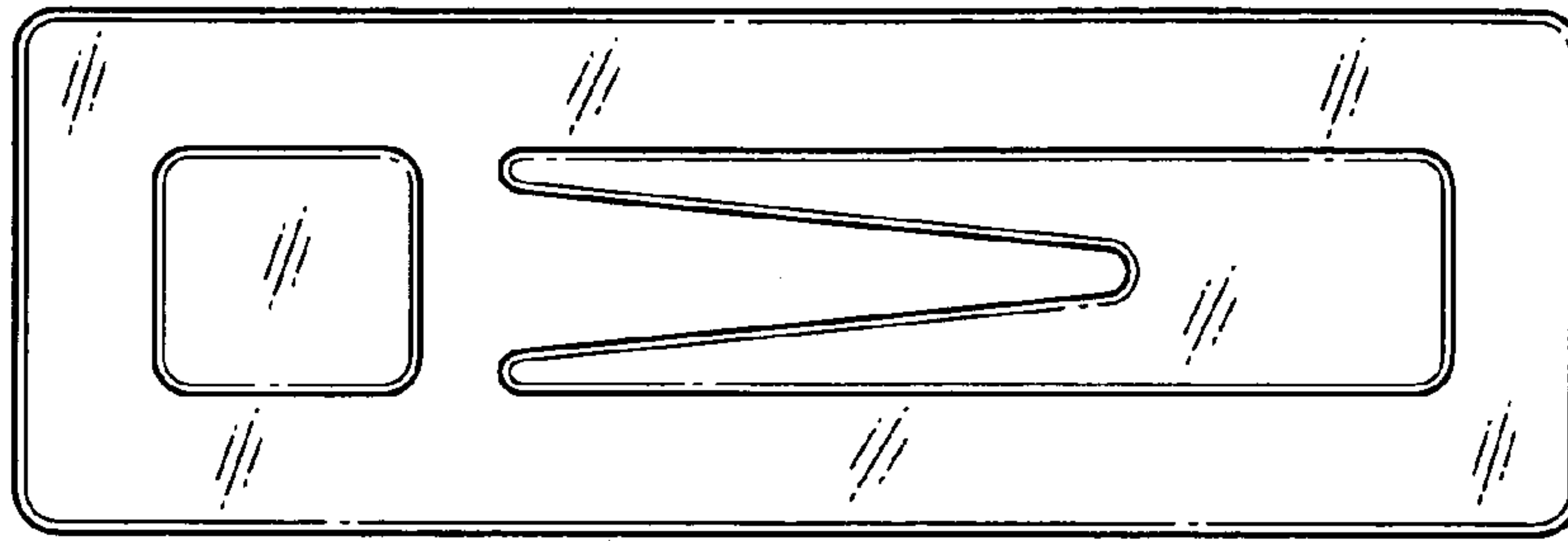


FIG. 3

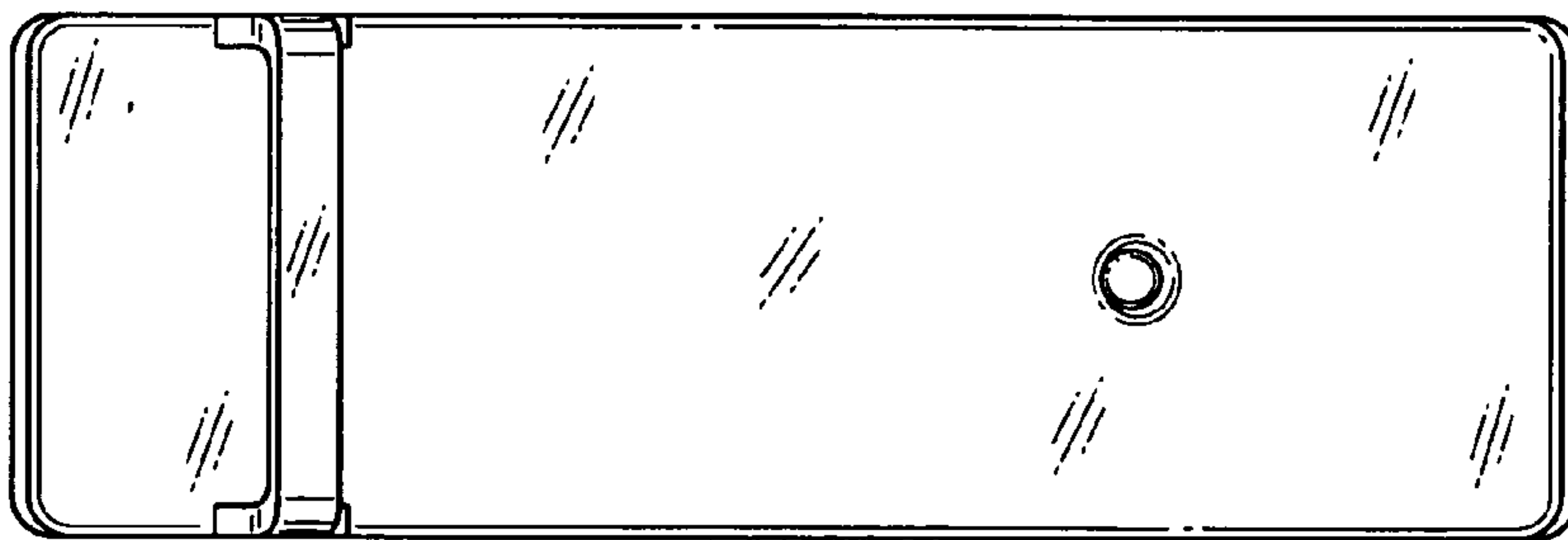


FIG. 4

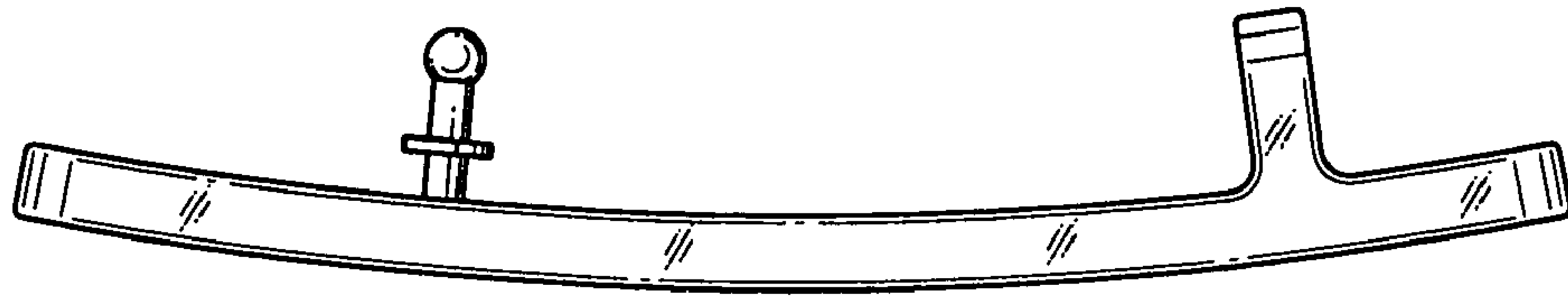


FIG. 5

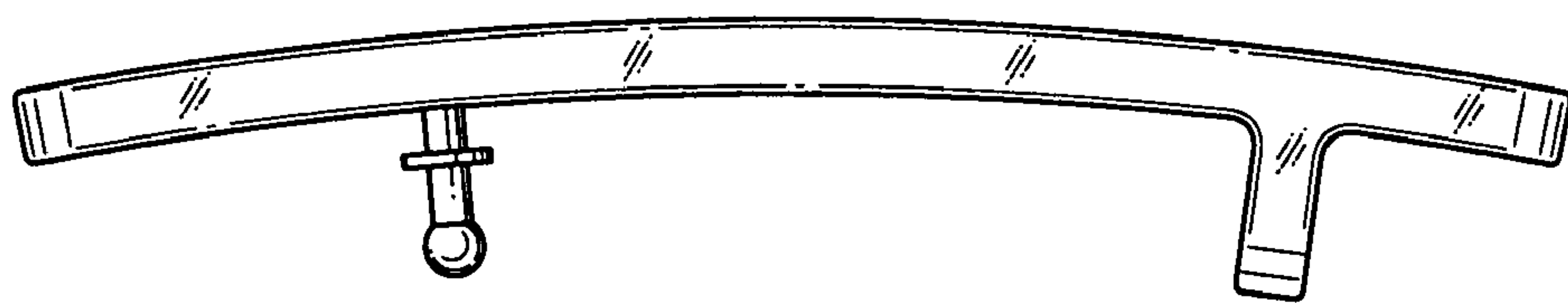


FIG. 6

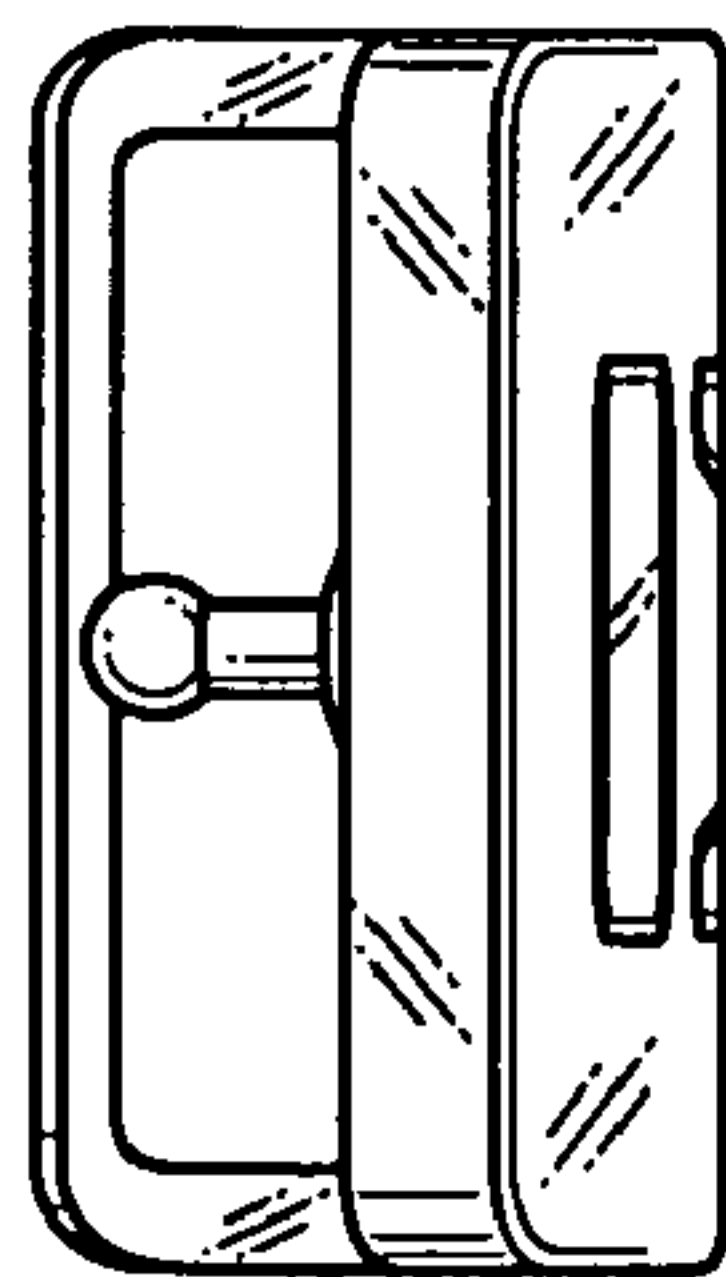


FIG. 7

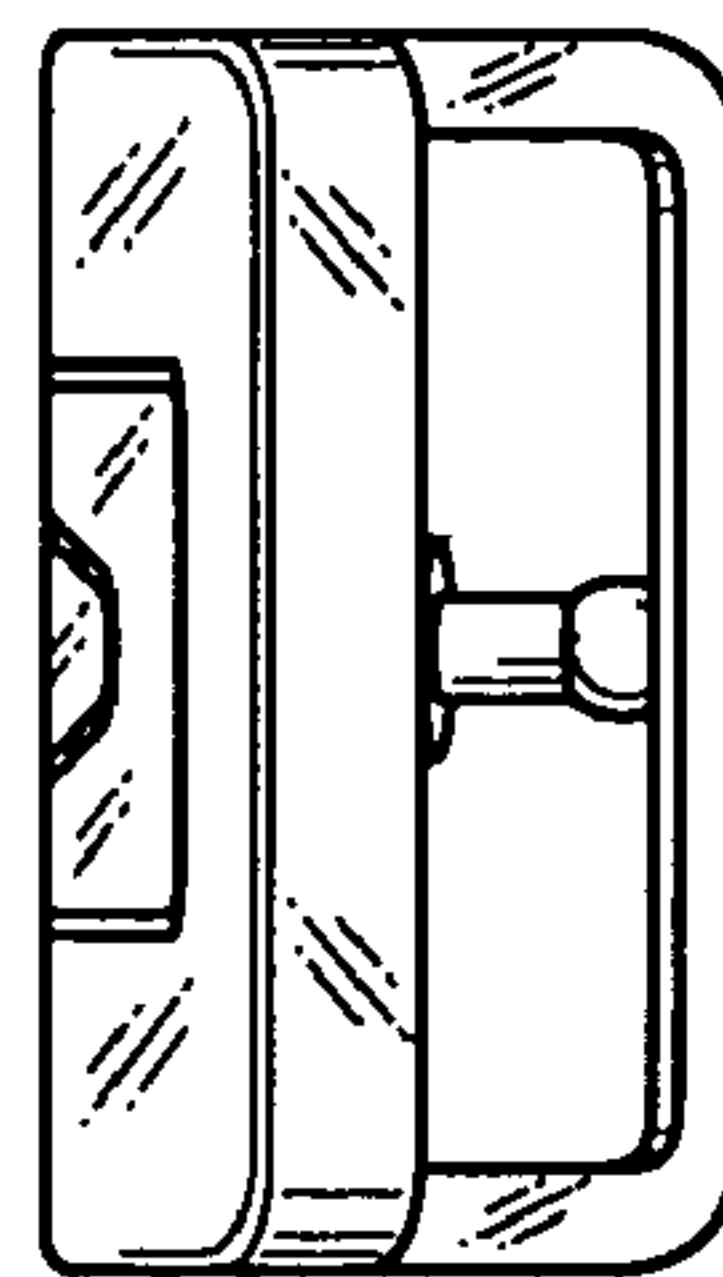


FIG. 8

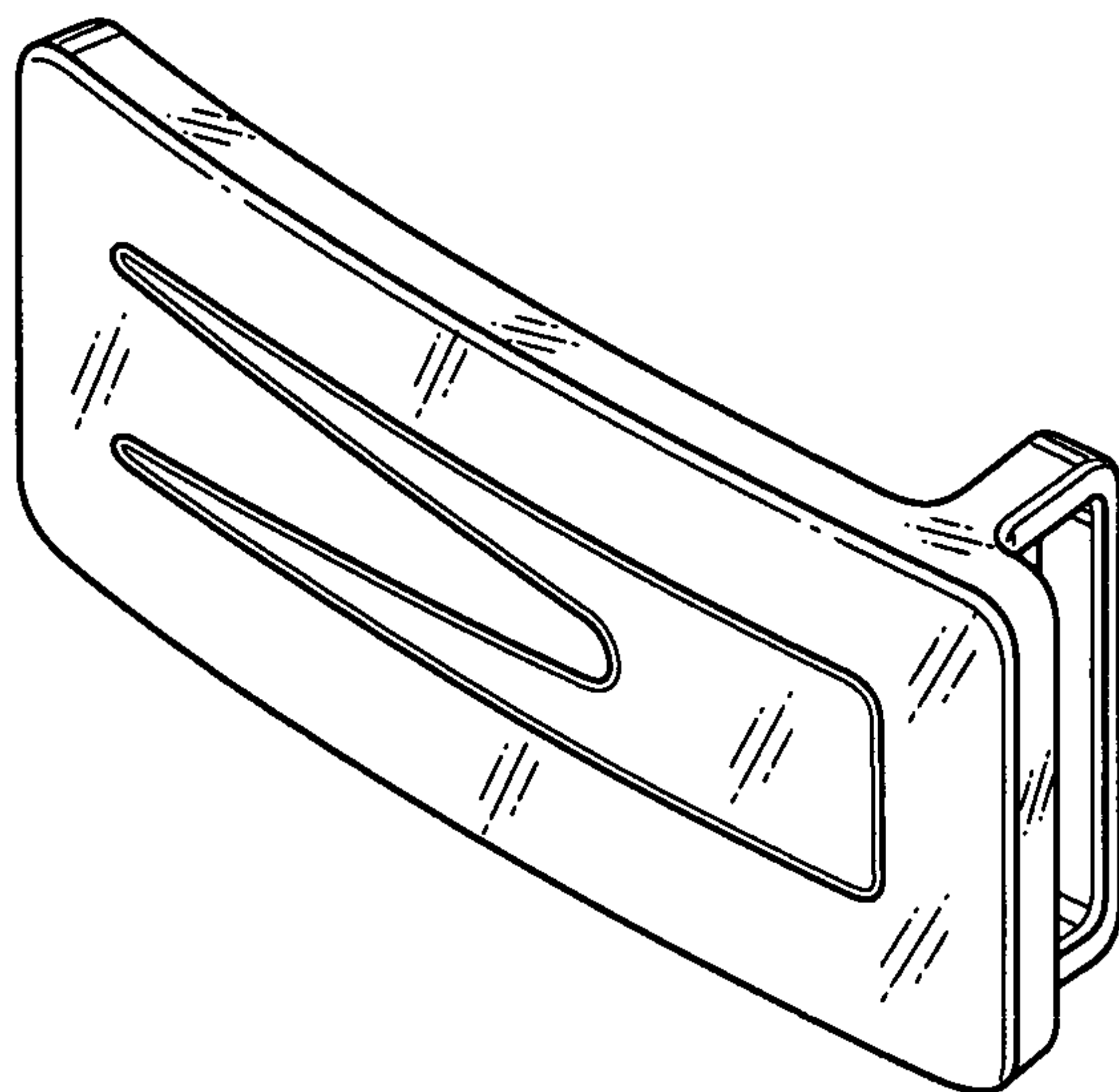


FIG. 9

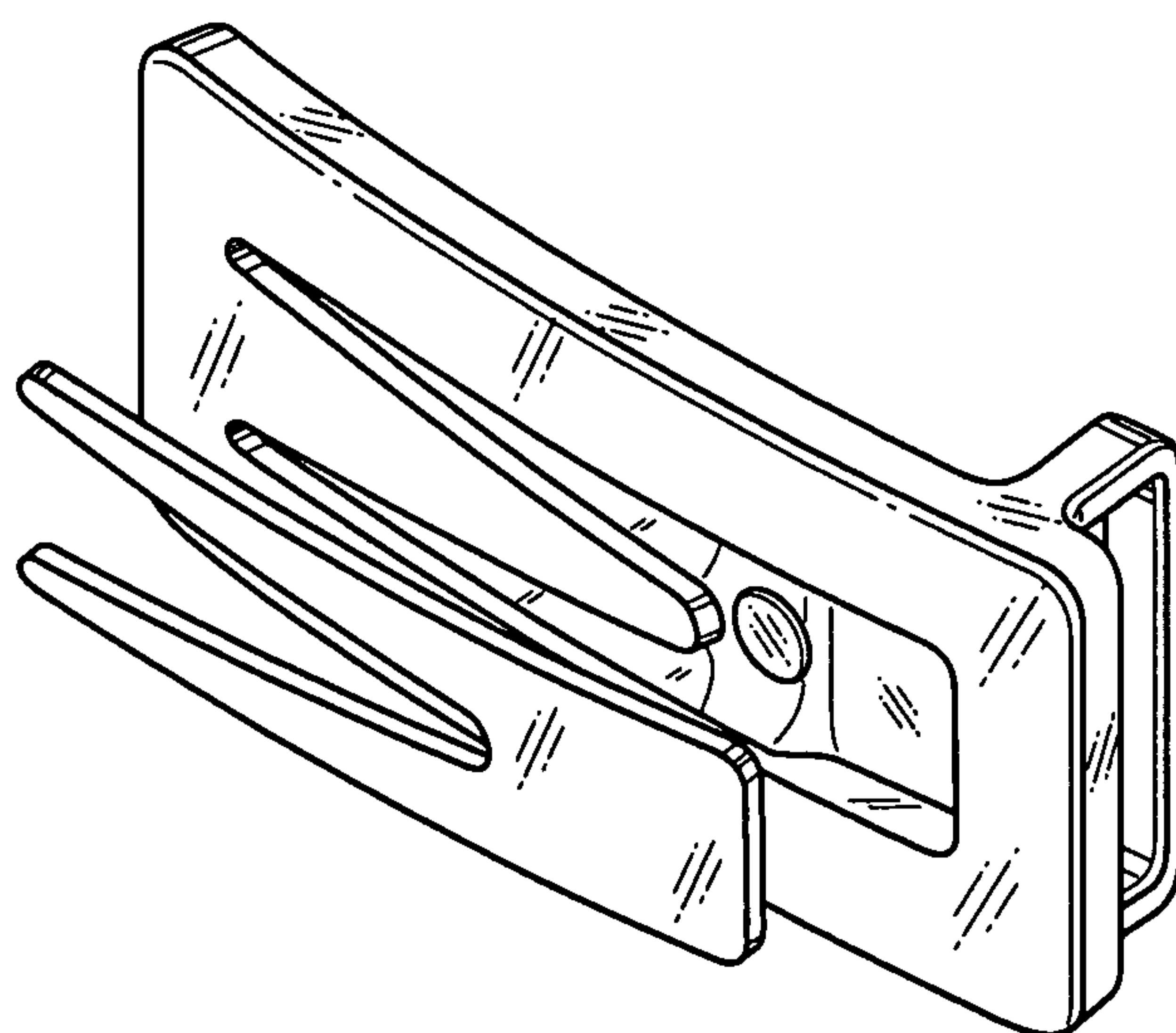


FIG. 10

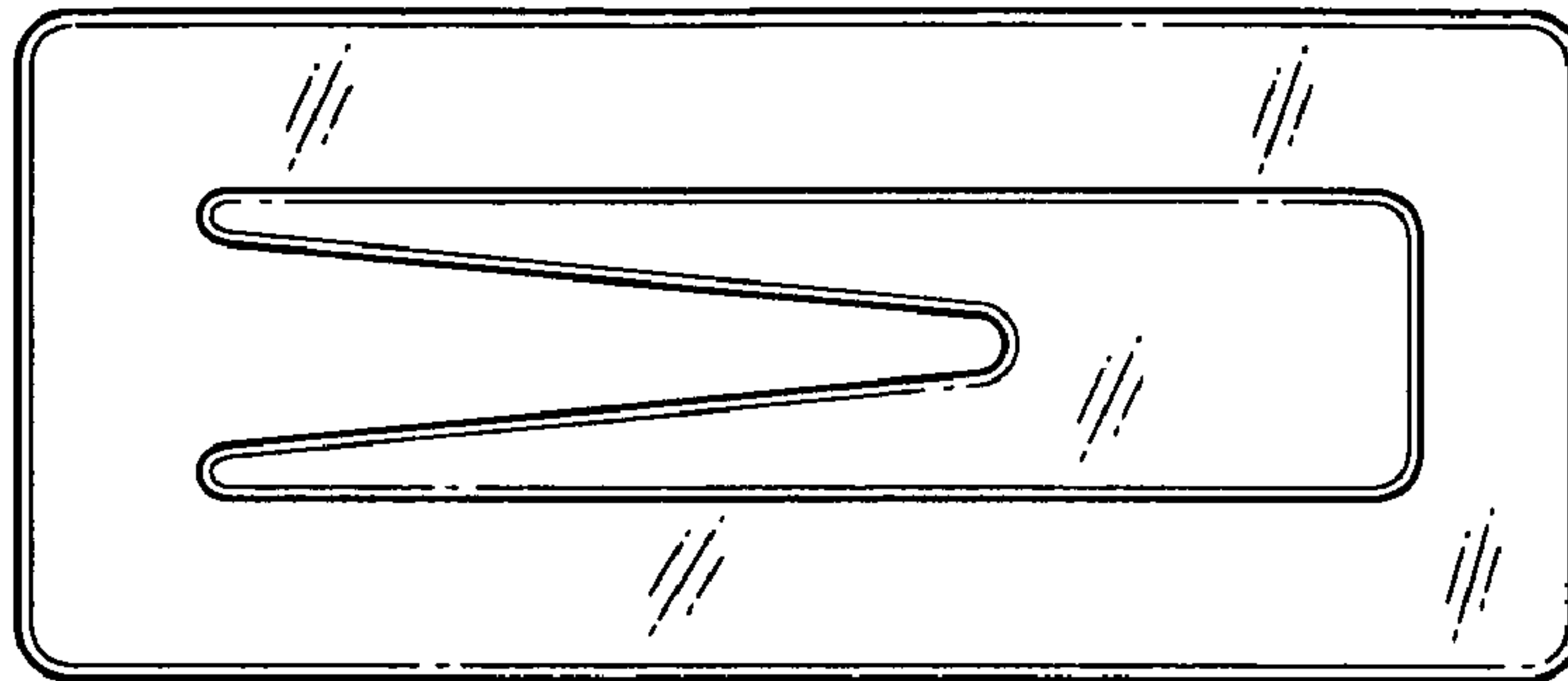


FIG. 11

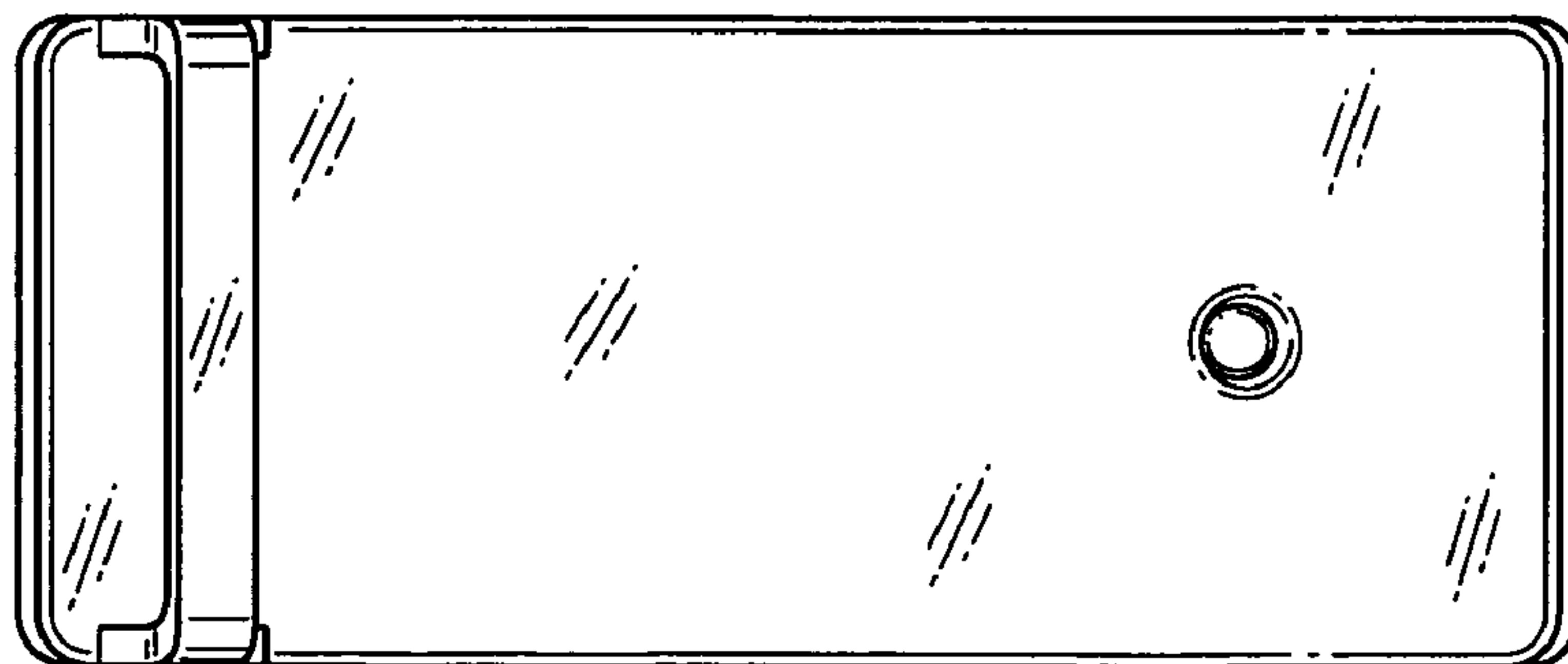


FIG. 12



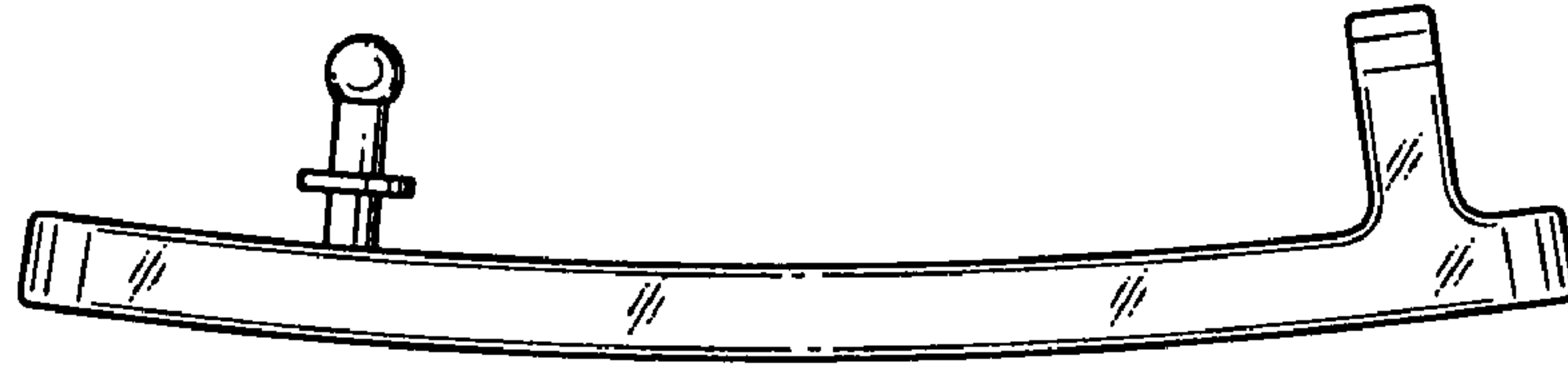


FIG. 13

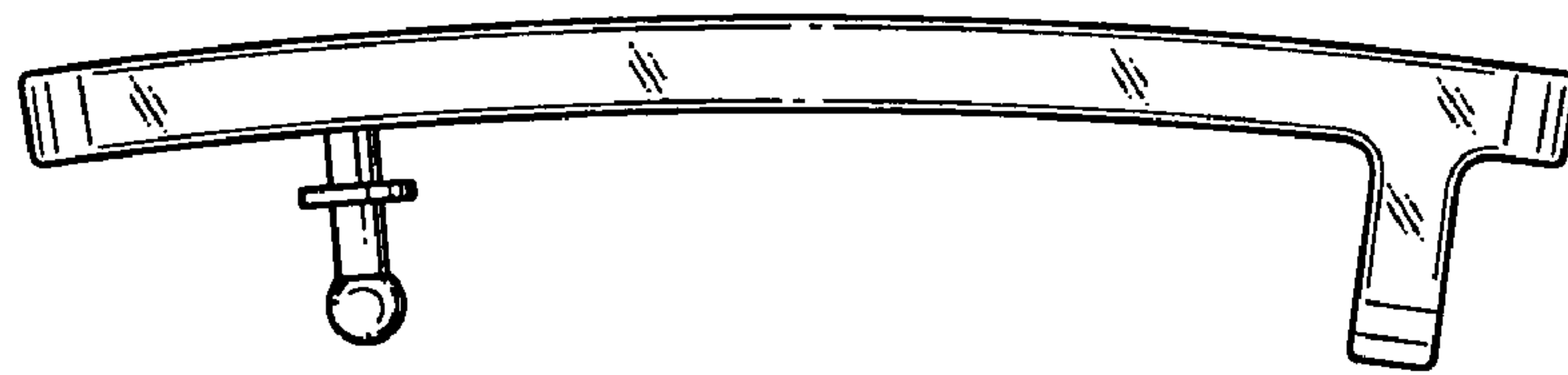


FIG. 14

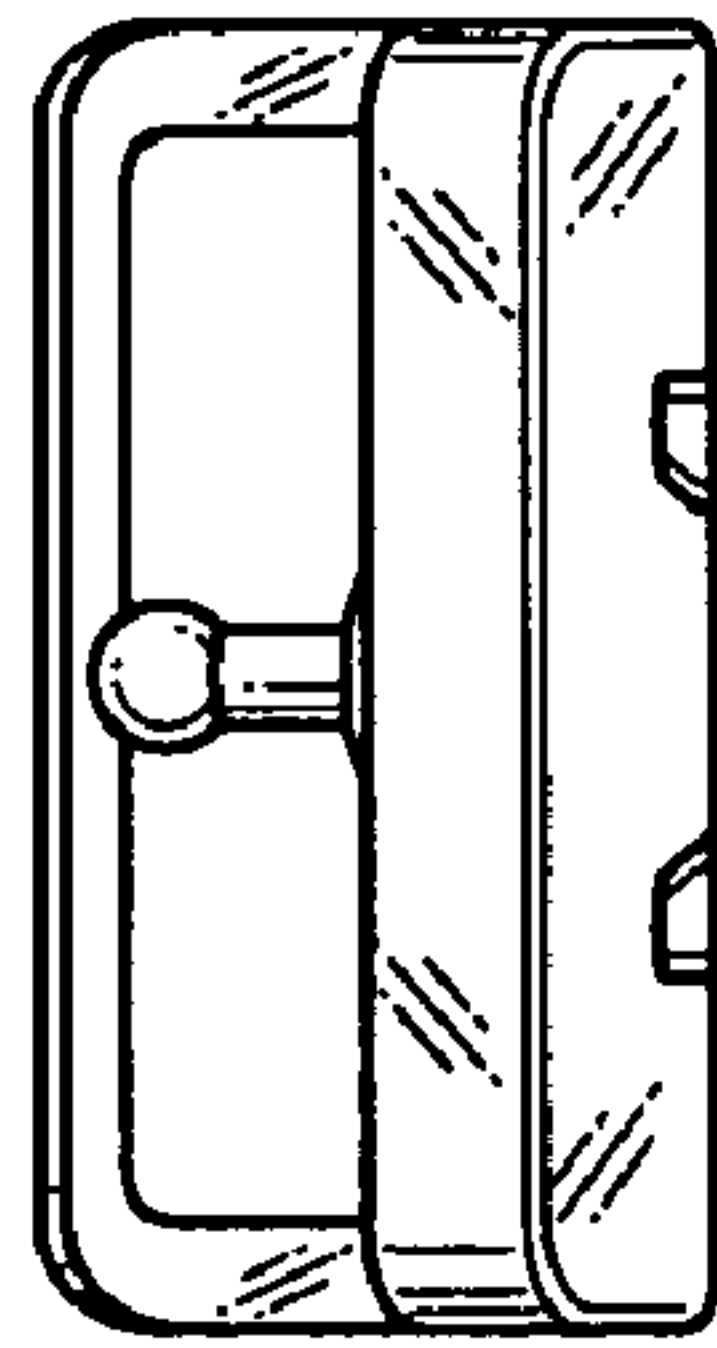


FIG. 15

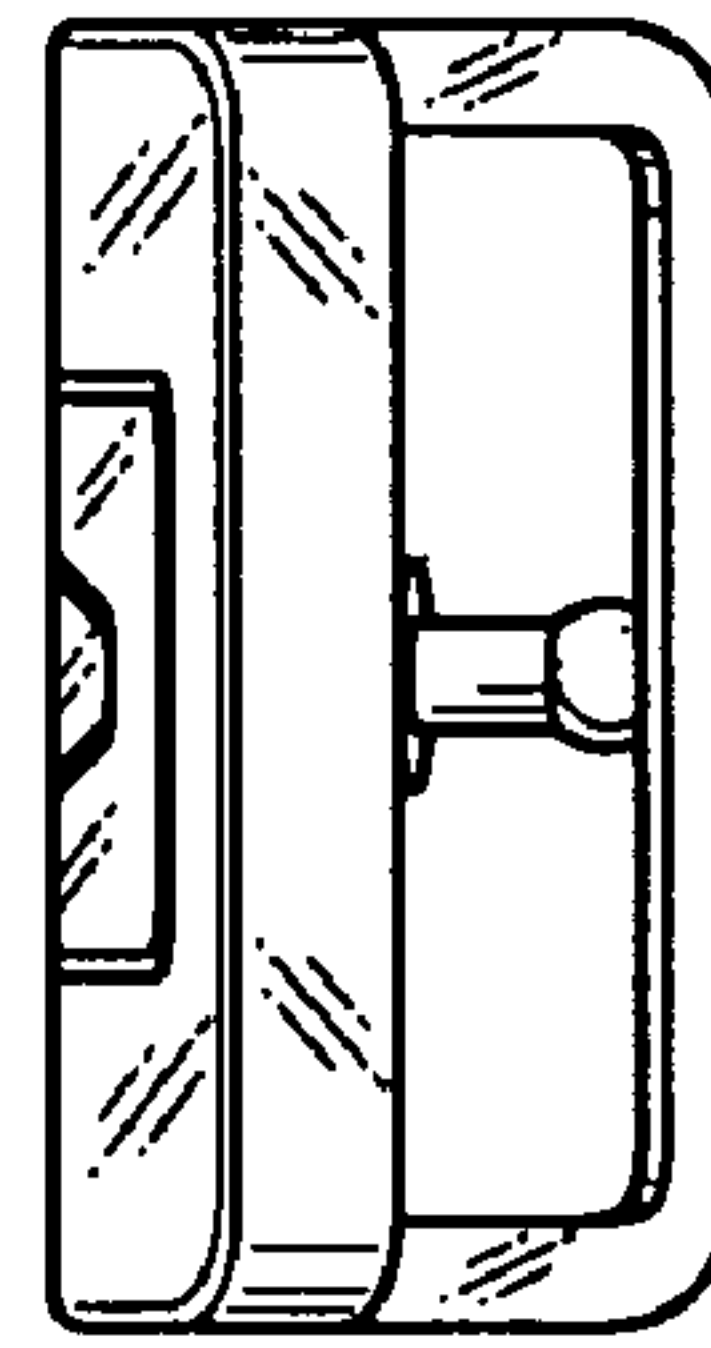


FIG. 16