

US00D613197S

(12) **United States Design Patent**  
**Huang**

(10) **Patent No.:** **US D613,197 S**

(45) **Date of Patent:** **\*\* Apr. 6, 2010**

(54) **WHISTLE**

D550,415 S \* 9/2007 Huang ..... D32/40

(76) **Inventor:** **Te-Ming Huang**, P.O. Box No. 6-57,  
Junghe, Taipei 235 (TW)

\* cited by examiner

*Primary Examiner*—Cathron C Brooks

*Assistant Examiner*—Austin Murphy

(74) *Attorney, Agent, or Firm*—Muncy, Geissler, Olds &  
Lowe, PLLC

(\*\*) **Term:** **14 Years**

(21) **Appl. No.:** **29/344,350**

(22) **Filed:** **Sep. 28, 2009**

(57) **CLAIM**

The ornamental design for a whistle, as shown and described.

(51) **LOC (9) Cl.** ..... **10-05**

(52) **U.S. Cl.** ..... **D10/119**

(58) **Field of Classification Search** ..... D10/119,  
D10/116, 2, 114, 53; D11/3; D3/208; D9/436;  
446/418, 397, 208, 207, 202

See application file for complete search history.

**DESCRIPTION**

FIG. 1 is a perspective top view of a whistle;

FIG. 2 is a front view thereof;

FIG. 3 is a back view thereof;

FIG. 4 is a left side view thereof;

FIG. 5 is a right side view thereof;

FIG. 6 is a top view thereof;

FIG. 7 is a bottom view thereof; and,

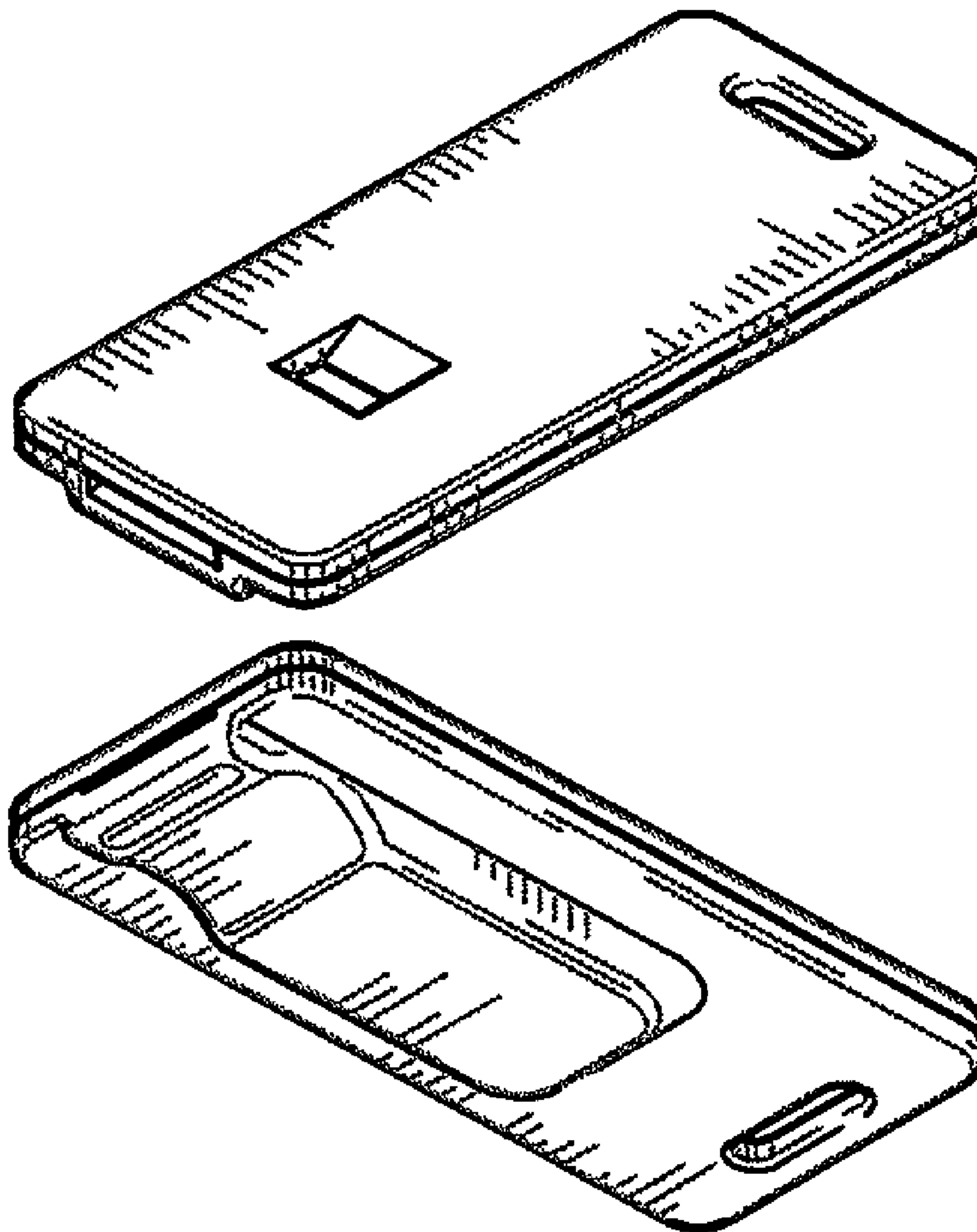
FIG. 8 is a perspective bottom view thereof.

(56) **References Cited**

**U.S. PATENT DOCUMENTS**

D230,318 S *	2/1974	Kissin	.....	D10/119
5,813,700 A *	9/1998	Vijuk et al.	.....	283/81
D439,860 S *	4/2001	Lynn	.....	D10/119
D447,076 S *	8/2001	Matlock	.....	D10/119
7,234,639 B2 *	6/2007	Schultz et al.	.....	235/380

**1 Claim, 6 Drawing Sheets**



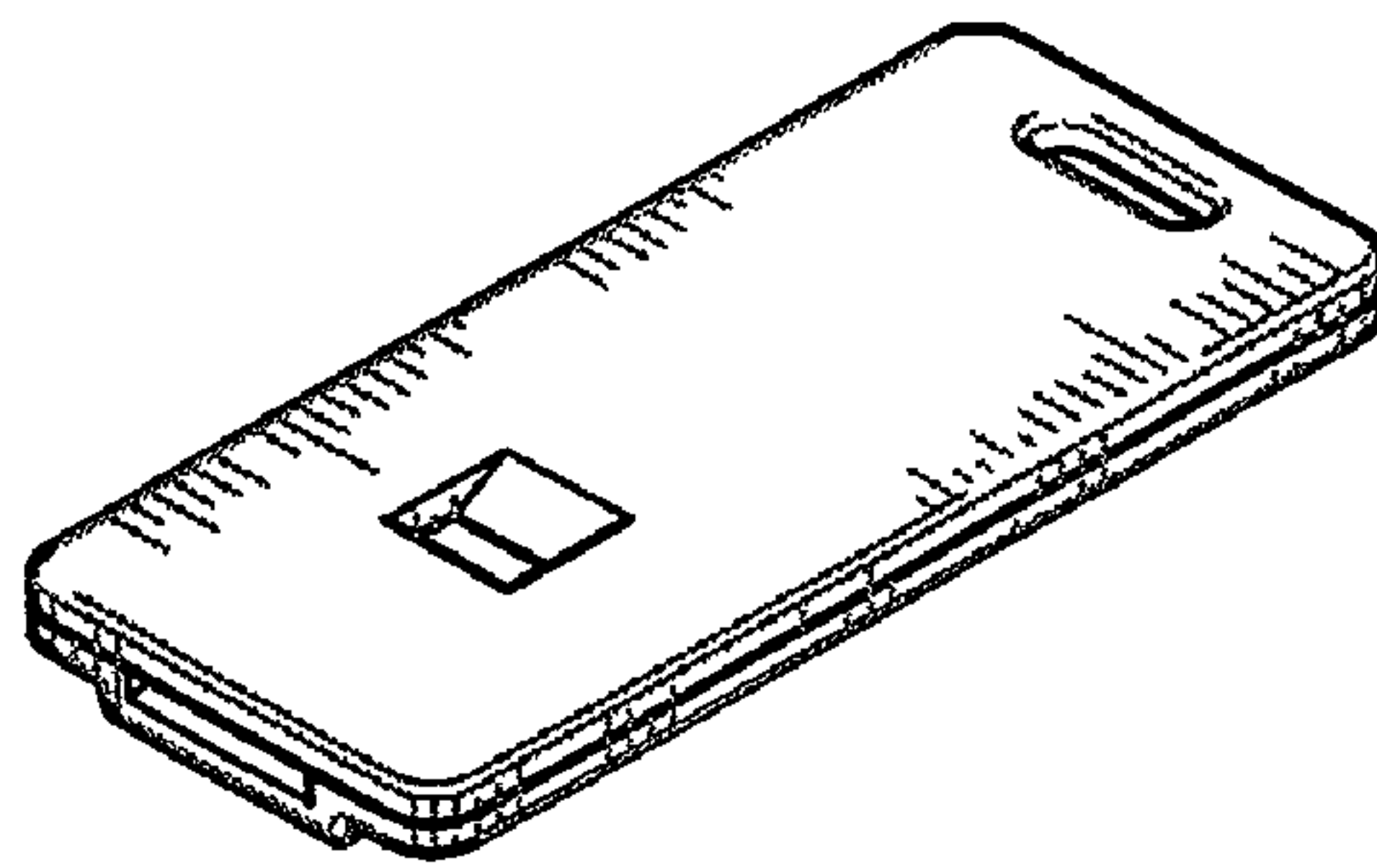


FIG.1

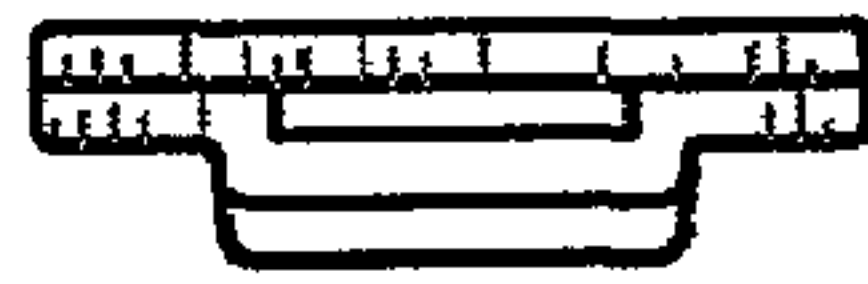


FIG. 2

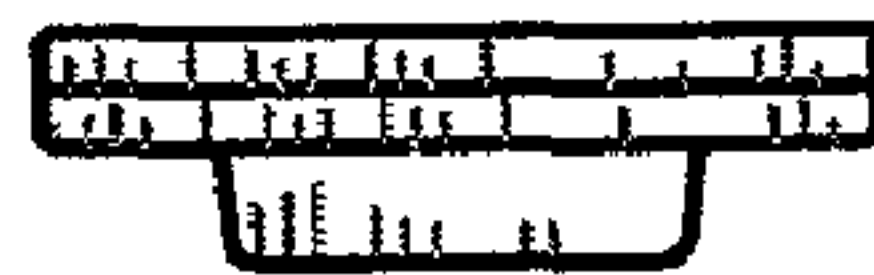


FIG. 3



FIG. 4

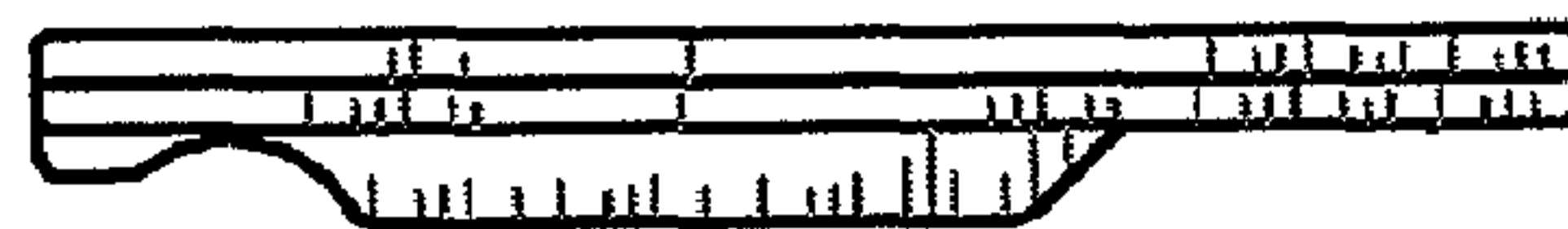


FIG. 5

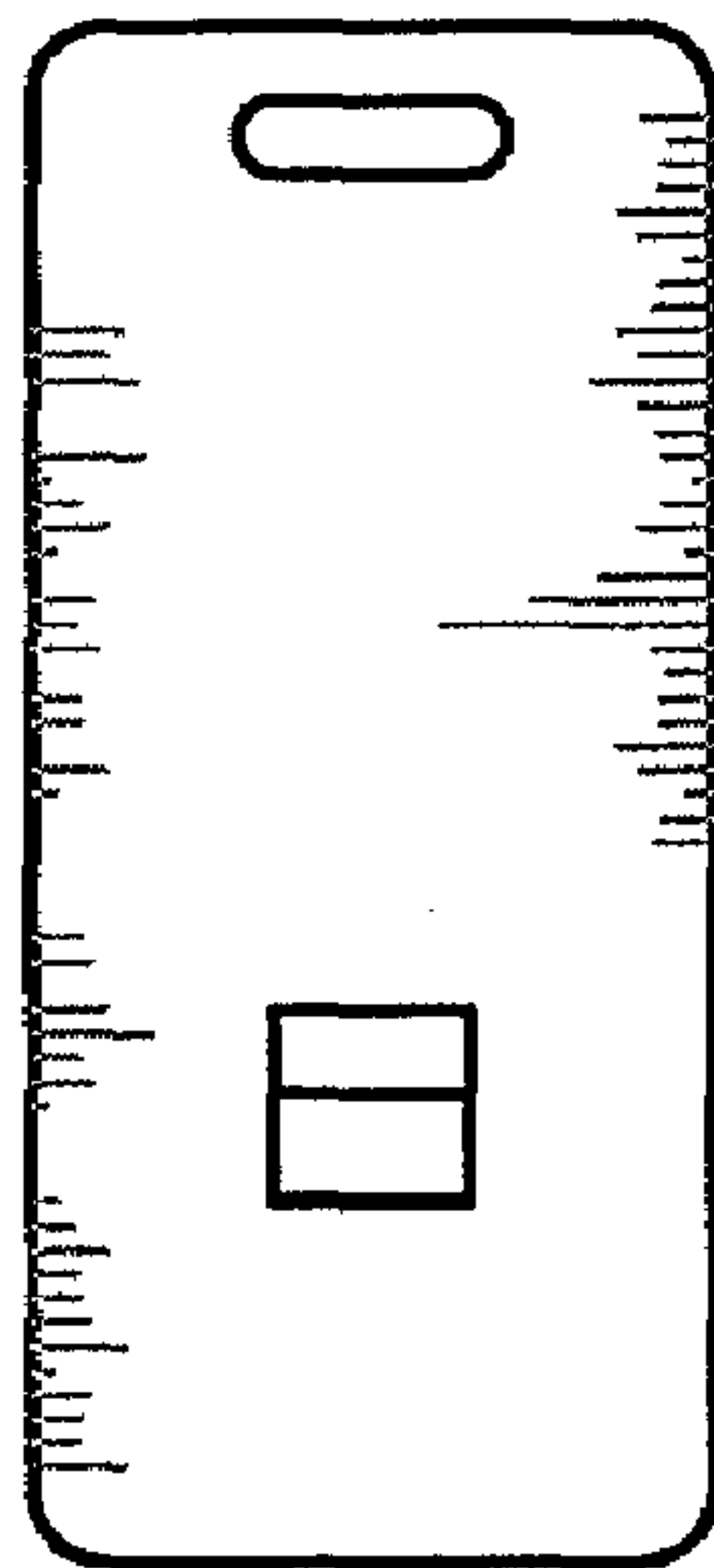


FIG.6

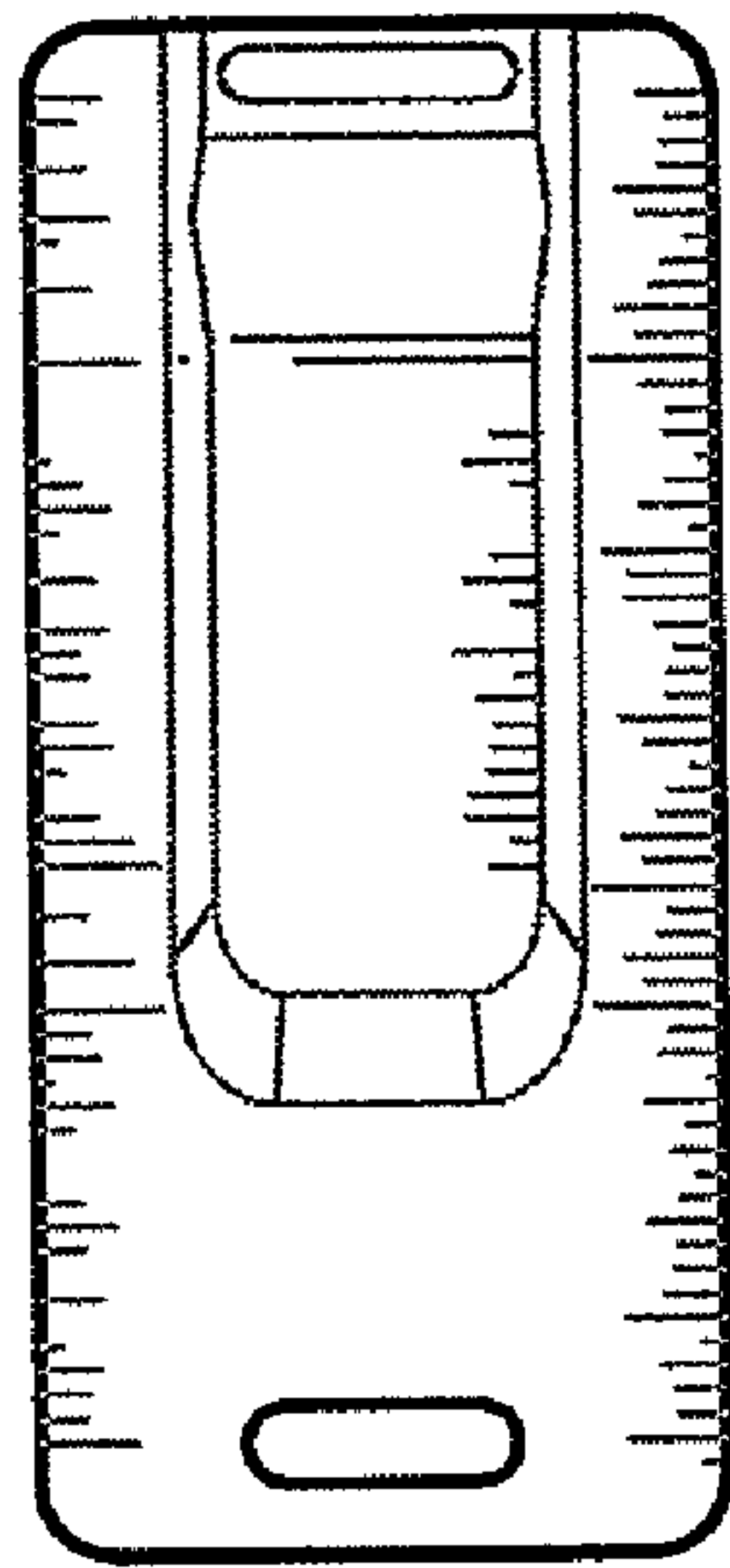


FIG. 7

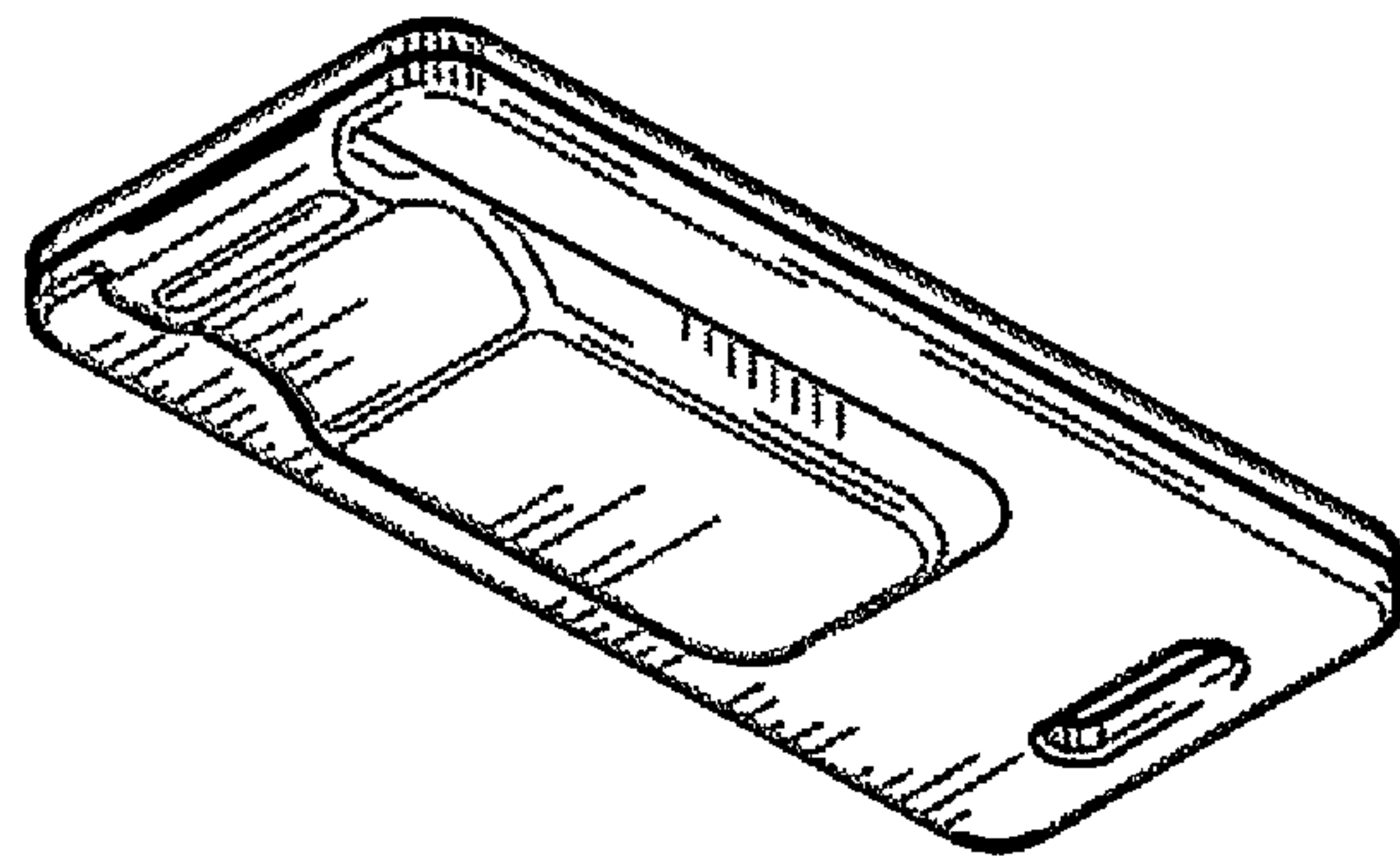


FIG.8