



US00D613195S

(12) **United States Design Patent**  
**Kabaya**

(10) **Patent No.:** **US D613,195 S**

(45) **Date of Patent:** **\*\* Apr. 6, 2010**

(54) **CONVERTER FOR A FLOWMETER**

(75) Inventor: **Hiroyuki Kabaya**, Tokyo (JP)

(73) Assignee: **Oval Corporation**, Tokyo (JP)

(\*\*) Term: **14 Years**

(21) Appl. No.: **29/347,075**

(22) Filed: **Sep. 17, 2009**

(30) **Foreign Application Priority Data**

Mar. 23, 2009 (JP) ..... 2009-006378

(51) **LOC (9) Cl.** ..... **10-04**

(52) **U.S. Cl.** ..... **D10/96**

(58) **Field of Classification Search** ..... D10/96;  
73/201, 273, 204.21, 861.63, 861.64, 861.351-861.357  
See application file for complete search history.

(56) **References Cited**

**U.S. PATENT DOCUMENTS**

7,325,462 B2 \* 2/2008 Bitto et al. .... 73/861.355  
7,610,795 B2 \* 11/2009 Bitto et al. .... 73/32 A

\* cited by examiner

*Primary Examiner*—Antoine D Davis

(74) *Attorney, Agent, or Firm*—Wenderoth, Lind & Ponack,  
L.L.P

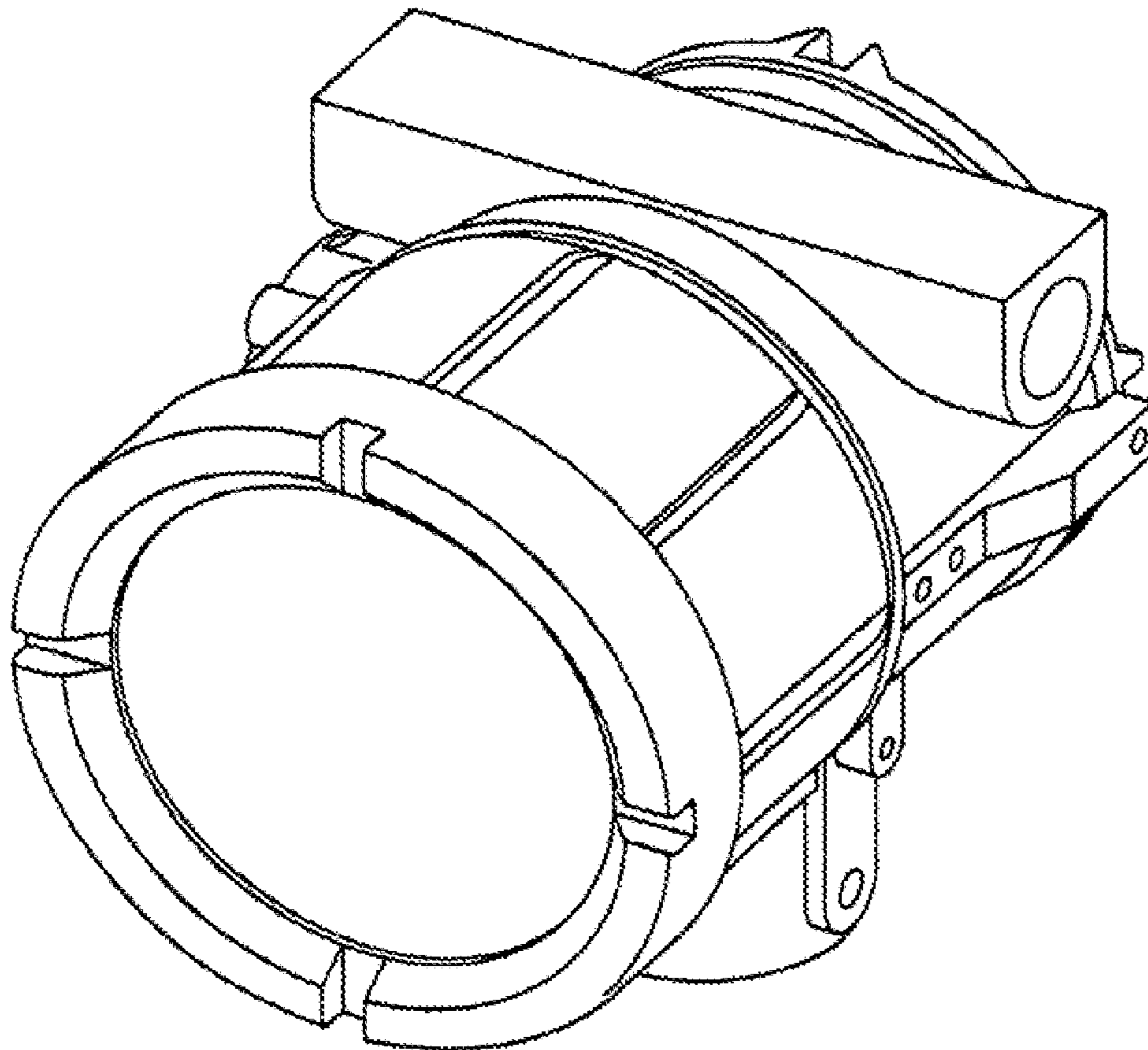
(57) **CLAIM**

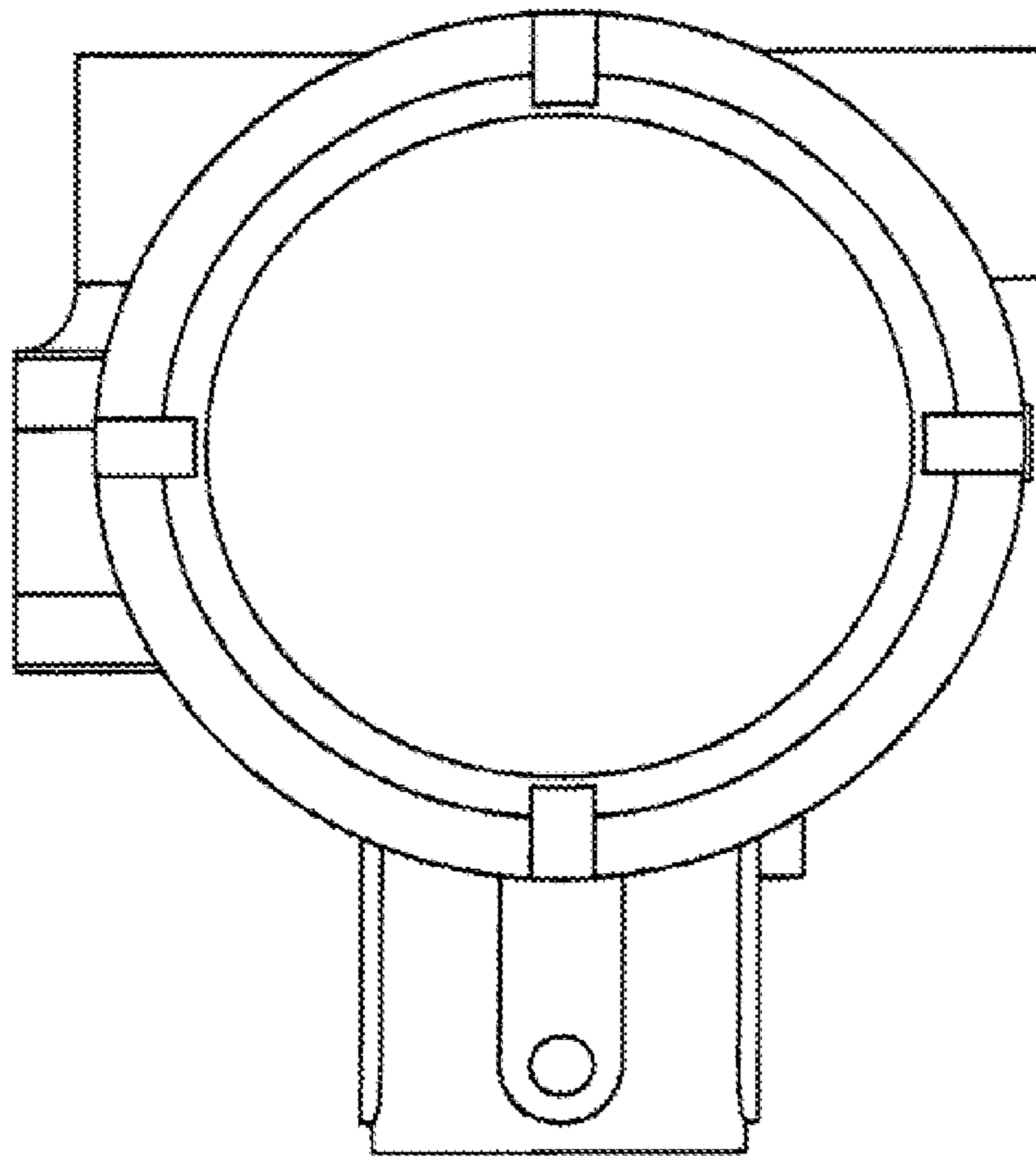
The ornamental design for a converter for a flowmeter, as shown and described.

**DESCRIPTION**

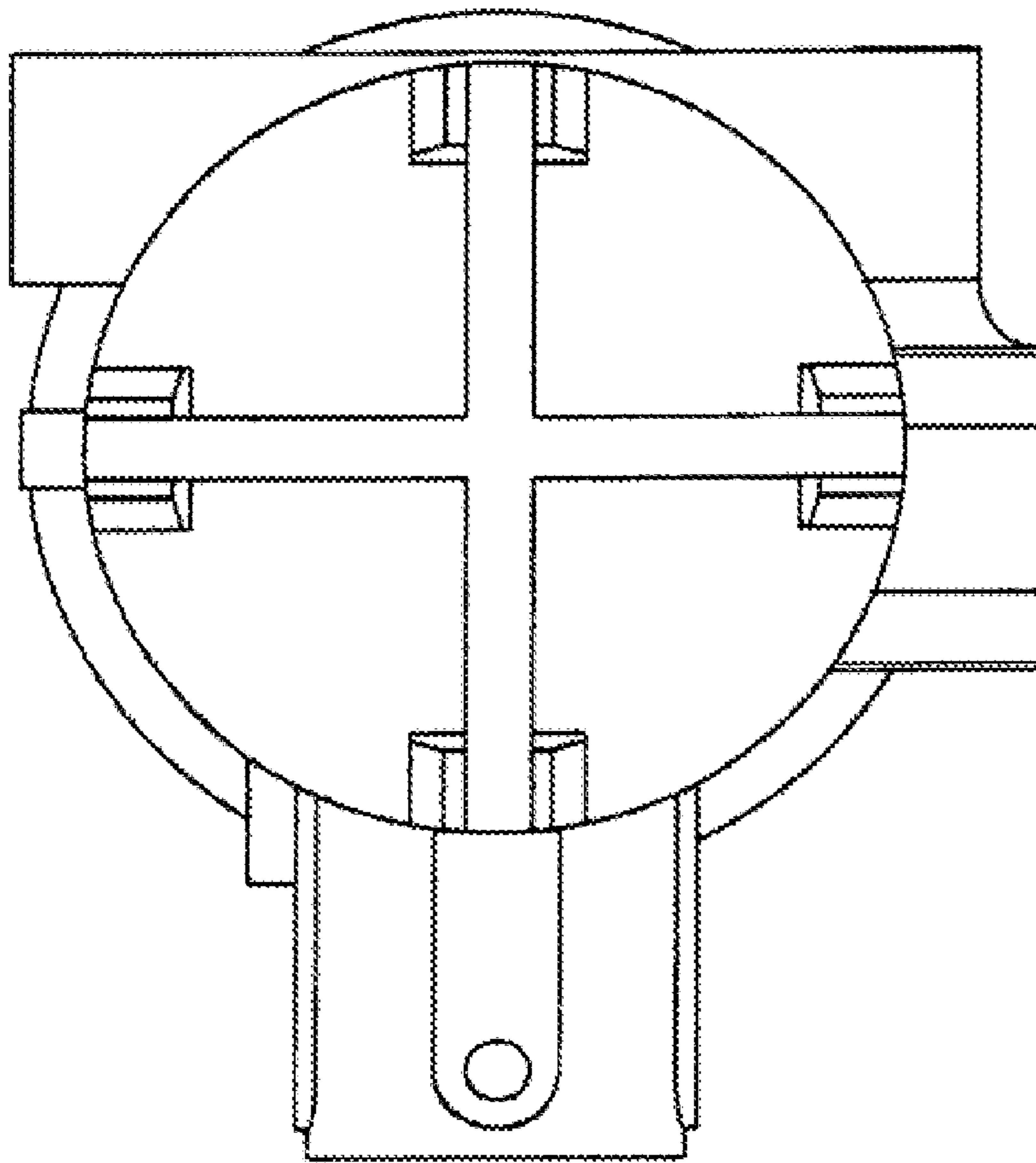
FIG. 1 is a front view of the invention;  
FIG. 2 is a back view of the invention;  
FIG. 3 is a plan view of the invention;  
FIG. 4 is a bottom view of the invention;  
FIG. 5 is a right side view of the invention;  
FIG. 6 is a left side view of the invention;  
FIG. 7 is a first perspective view of the invention;  
FIG. 8 is a second perspective view of the invention; and,  
FIG. 9 is a third perspective view of the invention.

**1 Claim, 9 Drawing Sheets**

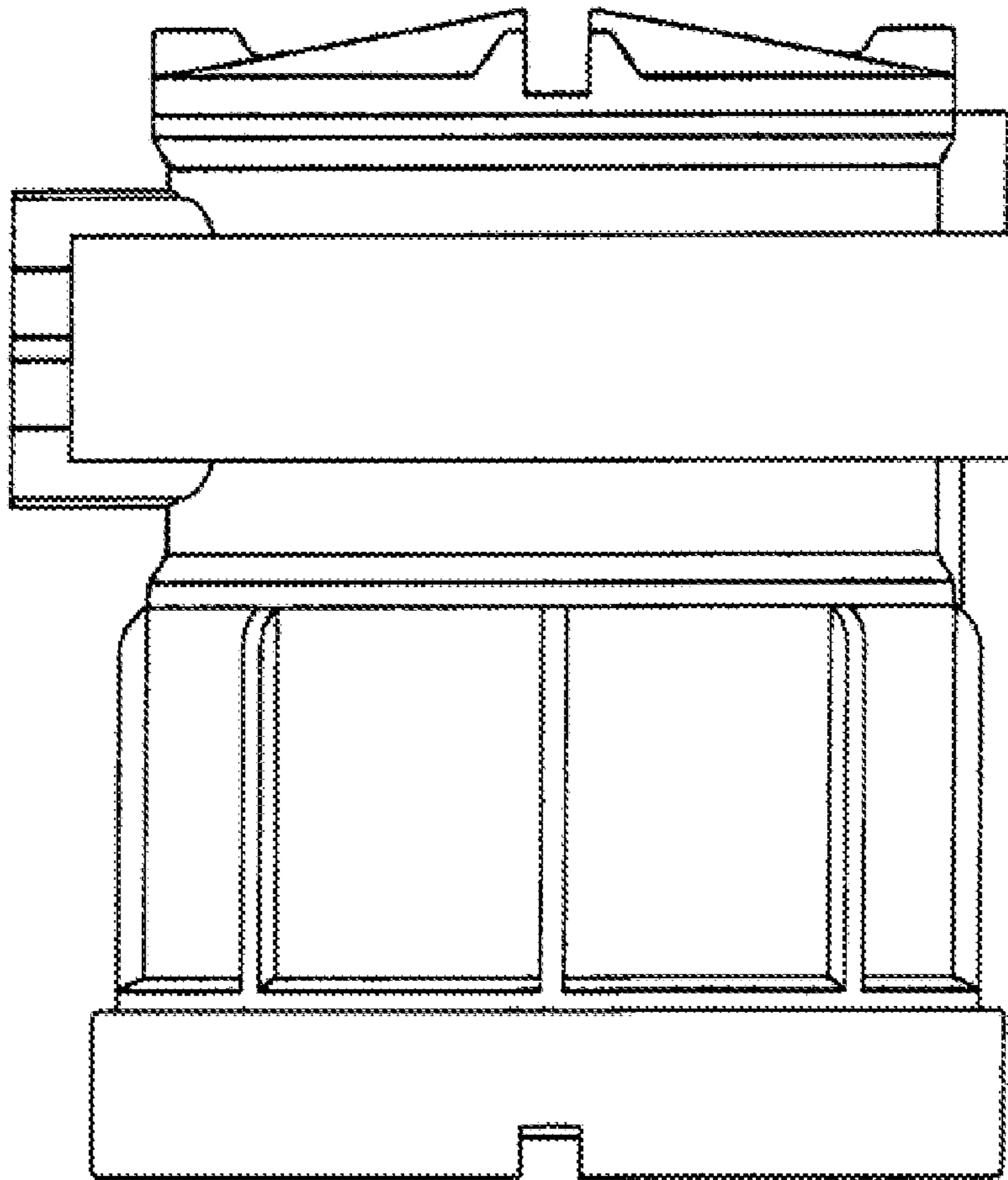




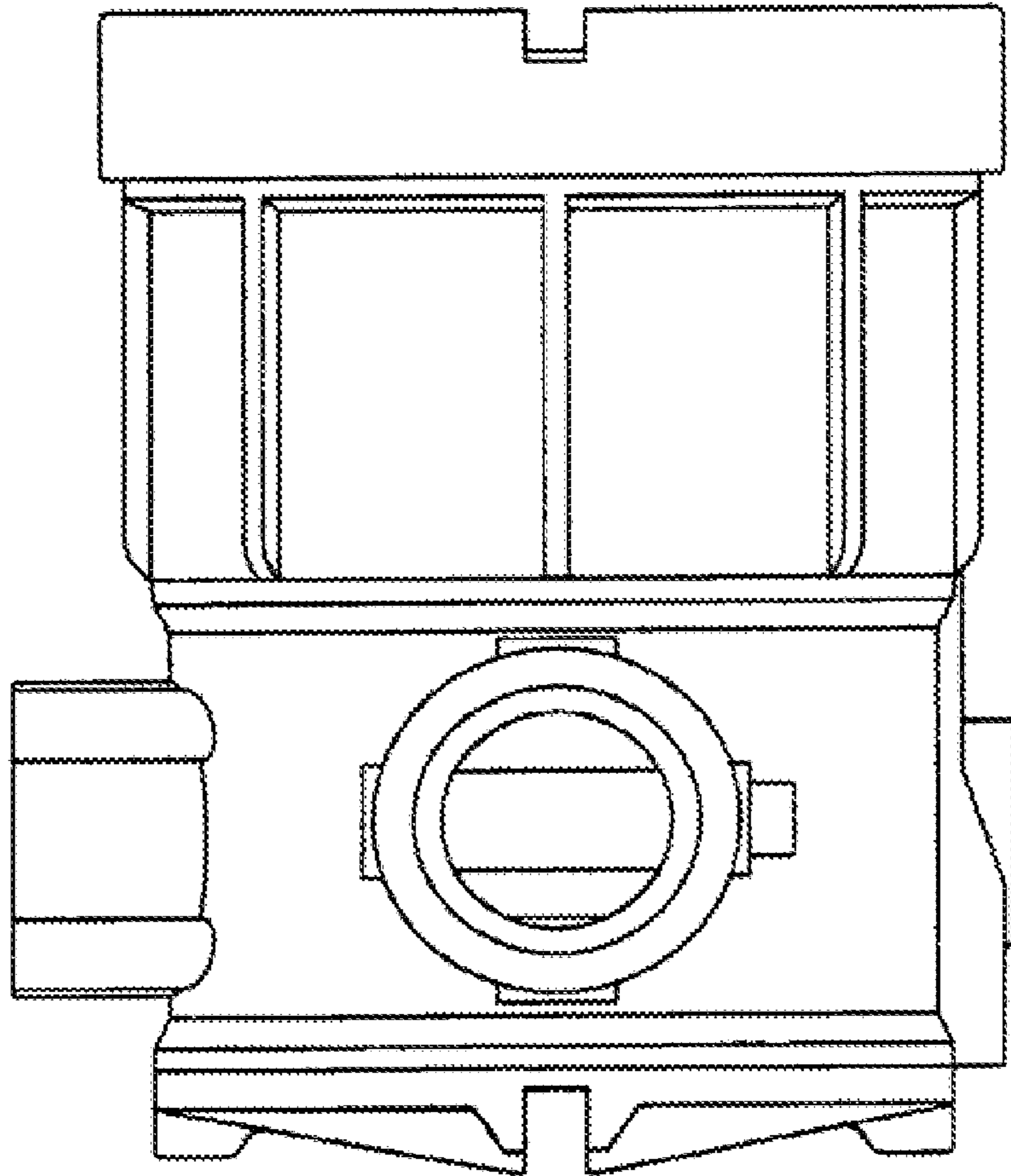
**FIG. 1**



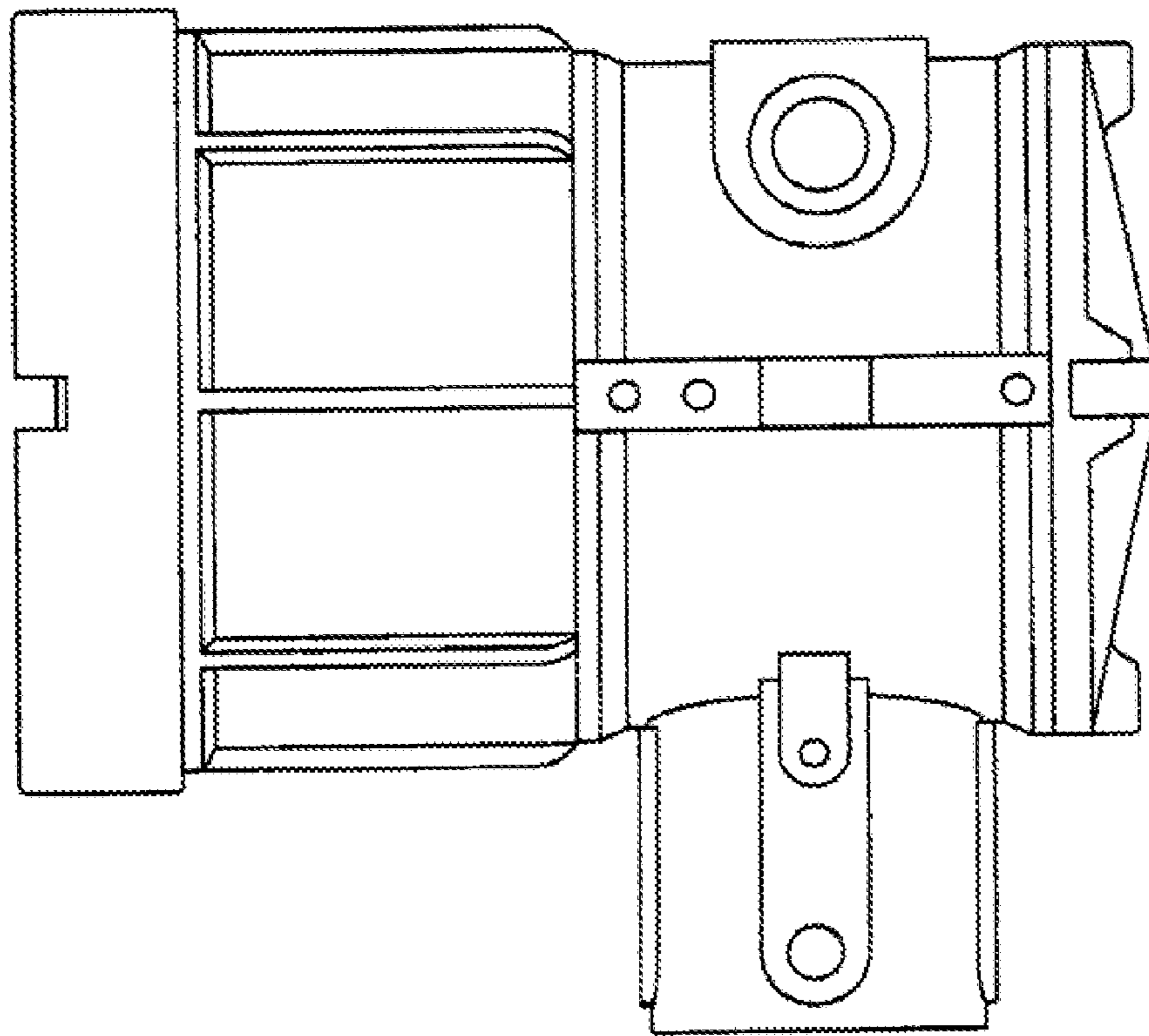
**FIG. 2**



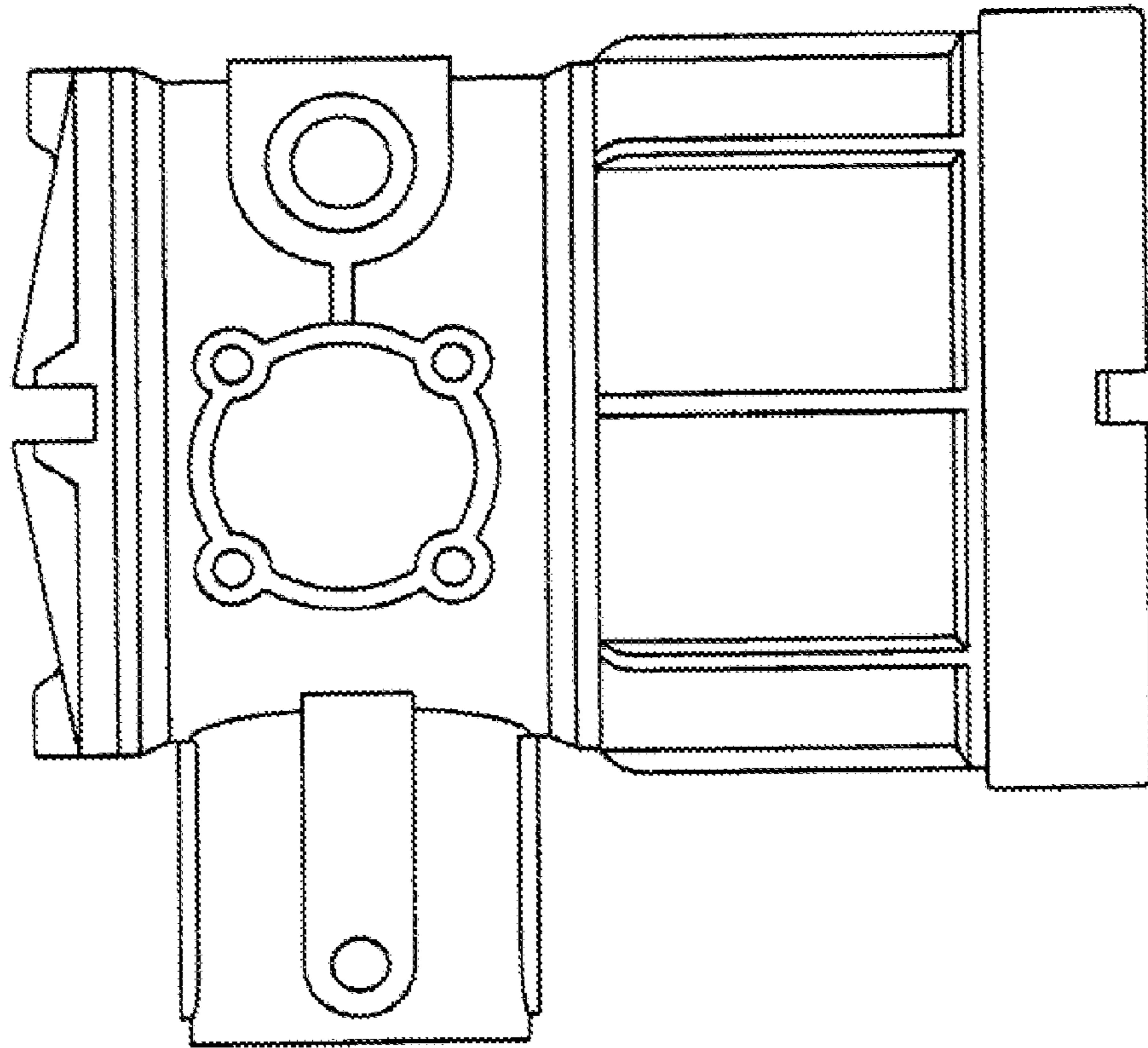
**FIG. 3**



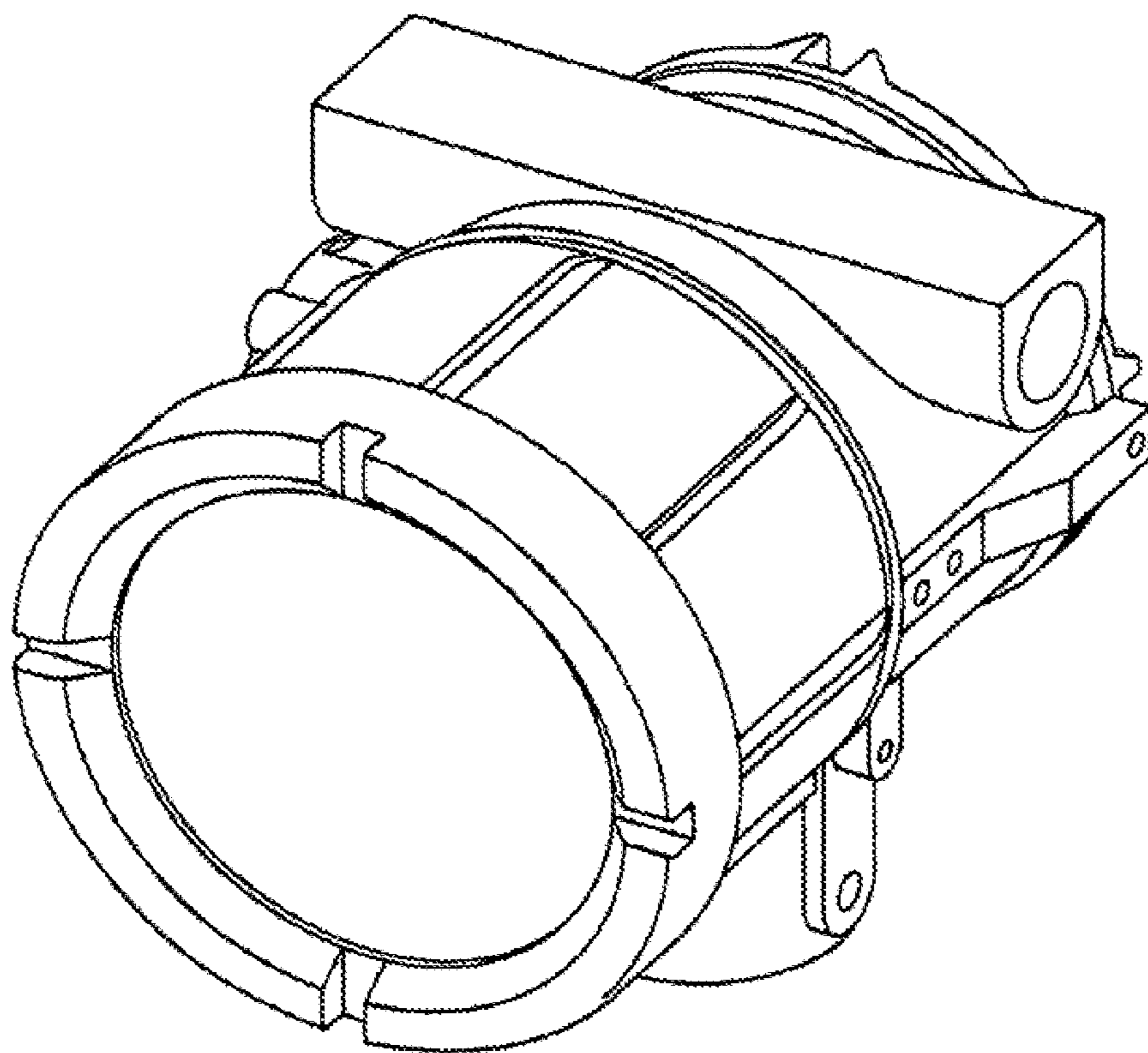
**FIG. 4**



**FIG. 5**

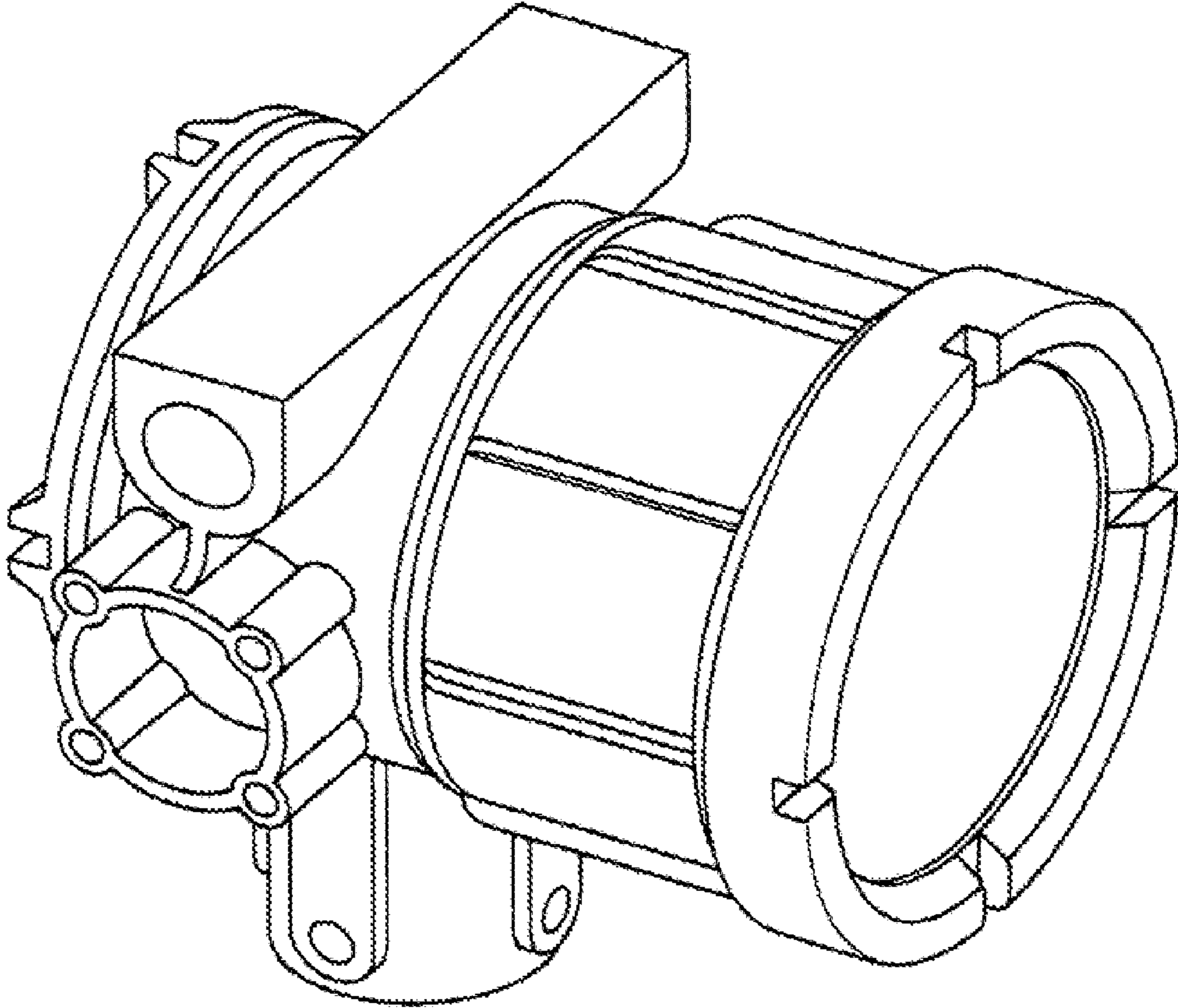


**FIG. 6**

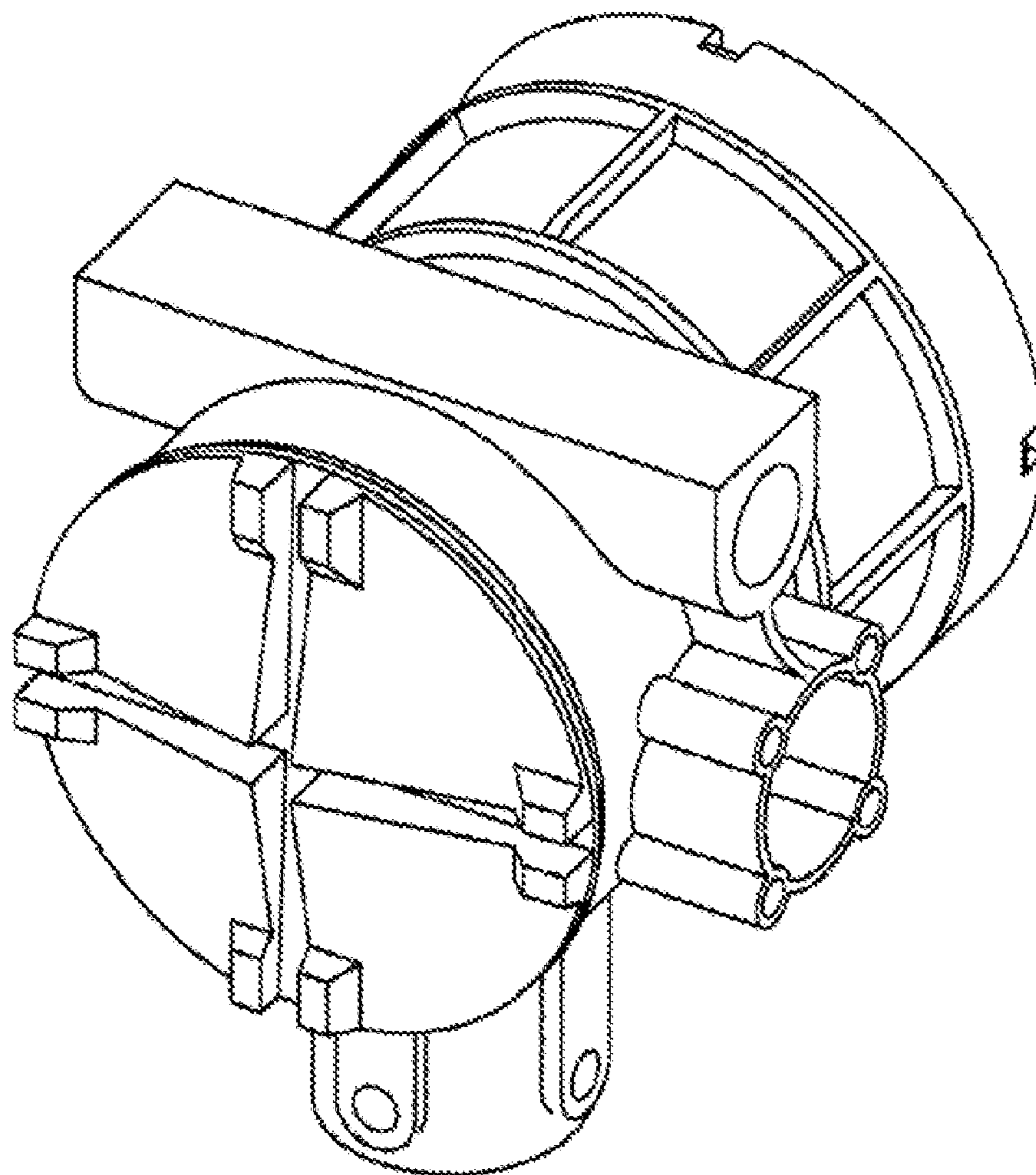


**FIG. 7**





**FIG. 8**



**FIG. 9**