



US00D613192S

(12) **United States Design Patent**  
**Hosoda et al.**

(10) **Patent No.:** **US D613,192 S**  
(45) **Date of Patent:** **\*\* Apr. 6, 2010**

(54) **CONTROLLER WITH SENSOR FOR AIR CLEANER**

(74) *Attorney, Agent, or Firm*—Capitol City TechLaw

(75) Inventors: **Toru Hosoda**, Ayabe (JP); **Kohei Tomita**, Kyoto (JP); **Takeshi Ashida**, Himeji (JP); **Hidetomo Ohtsuki**, Fukuchiyama (JP); **Koyuru Nakano**, Nara (JP)

(57) **CLAIM**

The ornamental design for a controller with sensor for air cleaner, as shown and described.

(73) Assignee: **OMRON Corporation**, Kyoto (JP)

**DESCRIPTION**

(\*\*) Term: **14 Years**

FIG. 1 is a front, top and right side perspective view of a controller with sensor for air cleaner showing our new design; FIG. 2 is a rear, bottom and left side perspective view thereof; FIG. 3 is a front elevational view thereof; FIG. 4 is a rear elevational view thereof; FIG. 5 is a top plan view thereof; FIG. 6 is a bottom plan view thereof; FIG. 7 is a right side elevational view thereof; FIG. 8 is a left side elevational view thereof;

(21) Appl. No.: **29/337,434**

(22) Filed: **May 21, 2009**

(30) **Foreign Application Priority Data**

Nov. 28, 2008 (JP) ..... 2008-030581

FIG. 9 is a front, top and right side perspective view showing a condition in which a tray for verification of dust is withdrawn thereof;

(51) **LOC (9) Cl.** ..... **10-04**

(52) **U.S. Cl.** ..... **D10/49**

(58) **Field of Classification Search** ..... D10/49-50;  
55/302, 481, 483, 504; 95/280, 502  
See application file for complete search history.

FIG. 10 is a rear, bottom and left side perspective view showing a condition in which the tray for verification of dust is withdrawn thereof;

(56) **References Cited**

**U.S. PATENT DOCUMENTS**

6,676,721	B1 *	1/2004	Gillingham et al.	.....	55/302
6,872,237	B2 *	3/2005	Gillingham et al.	.....	95/20
6,908,494	B2 *	6/2005	Gillingham et al.	.....	55/283
7,090,711	B2 *	8/2006	Gillingham et al.	.....	55/481
2004/0139707	A1 *	7/2004	Gillingham et al.	.....	55/302
2004/0144253	A1 *	7/2004	Gillingham et al.	.....	95/280
2005/0166559	A1 *	8/2005	Gillingham et al.	.....	55/481
2006/0277871	A1 *	12/2006	Gillingham et al.	.....	55/302
2007/0186774	A1 *	8/2007	Gillingham et al.	.....	95/280

FIG. 11 is a front elevational view showing a condition in which the tray for verification of dust is withdrawn thereof;

FIG. 12 is a top plan view showing a condition in which the tray for verification of dust is withdrawn thereof;

FIG. 13 is a bottom plan view showing a condition in which the tray for verification of dust is withdrawn thereof;

FIG. 14 is a right side elevational view showing a condition in which the tray for verification of dust is withdrawn thereof; and,

FIG. 15 is a left side elevational view showing a condition in which the tray for verification of dust is withdrawn thereof.

\* cited by examiner

*Primary Examiner*—Antoine D Davis

**1 Claim, 15 Drawing Sheets**

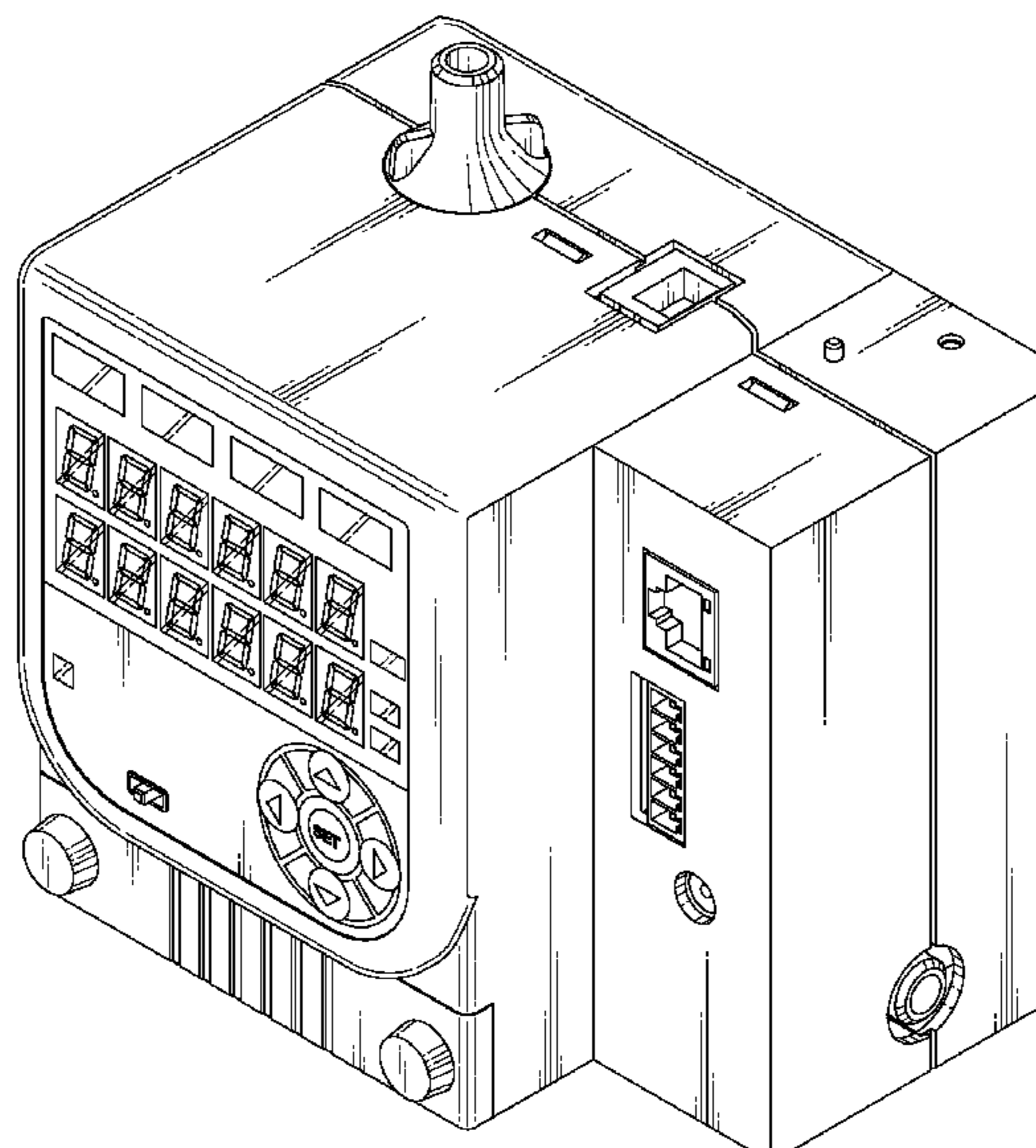


FIG. 1

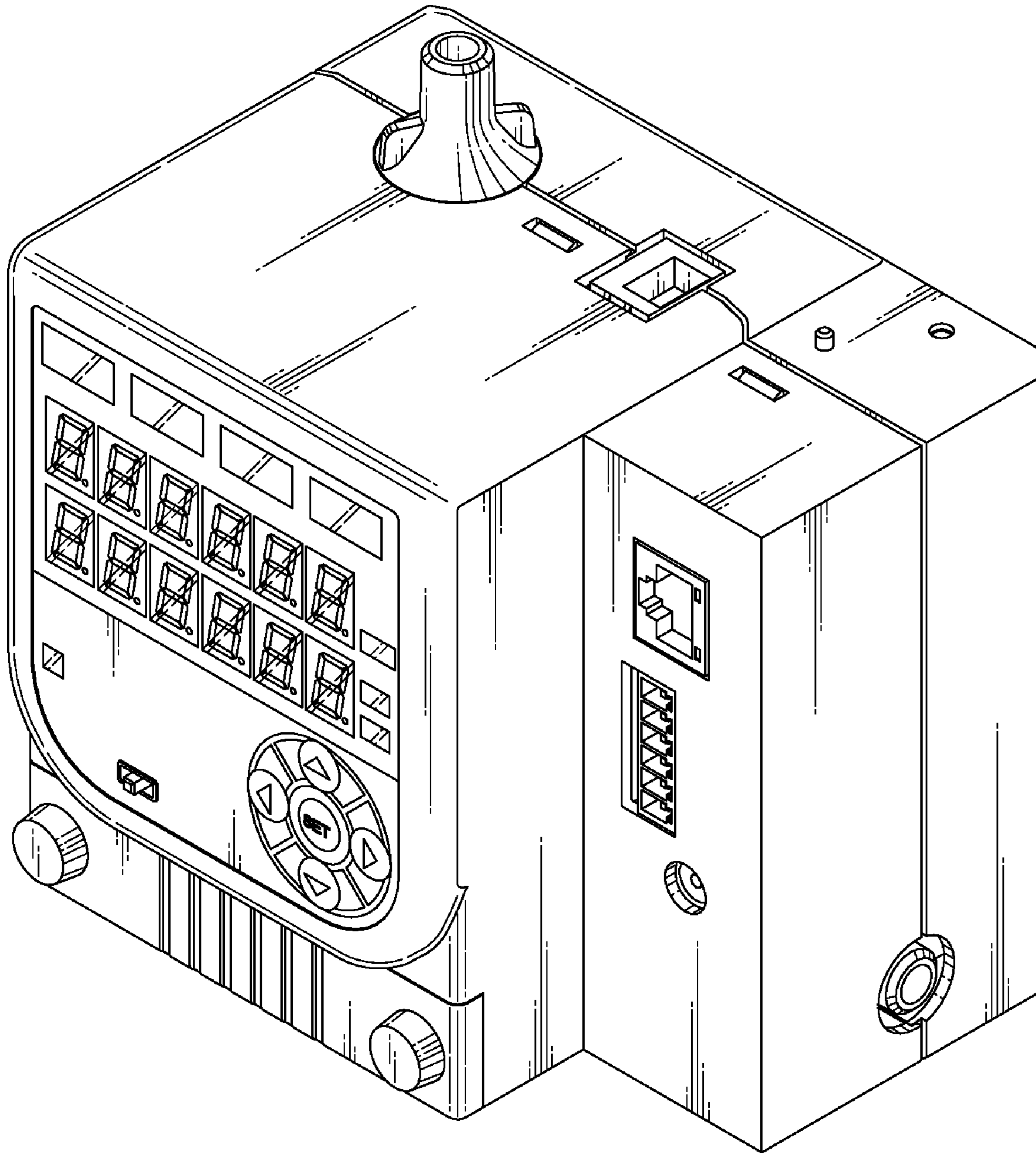


FIG.2

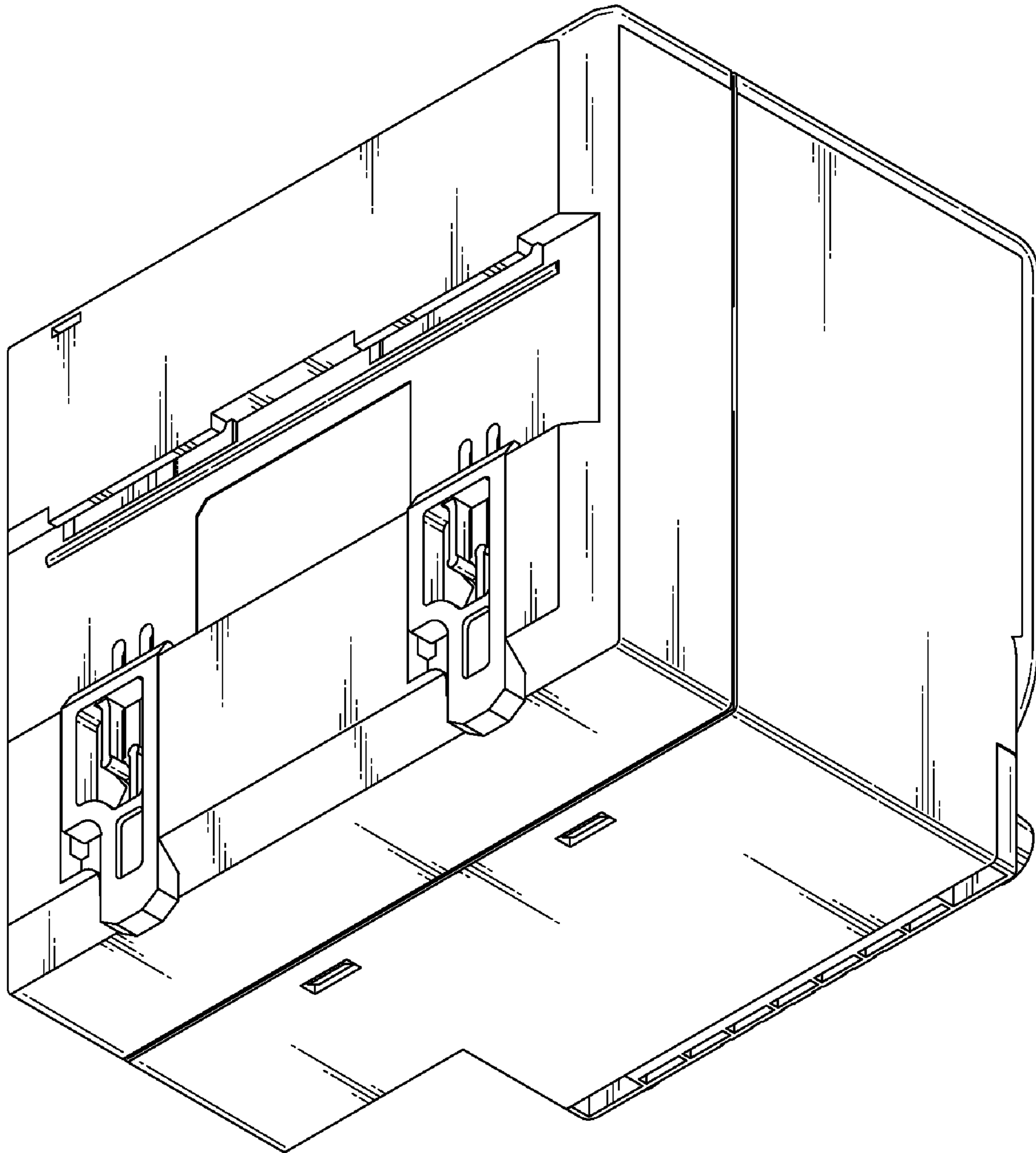


FIG.3

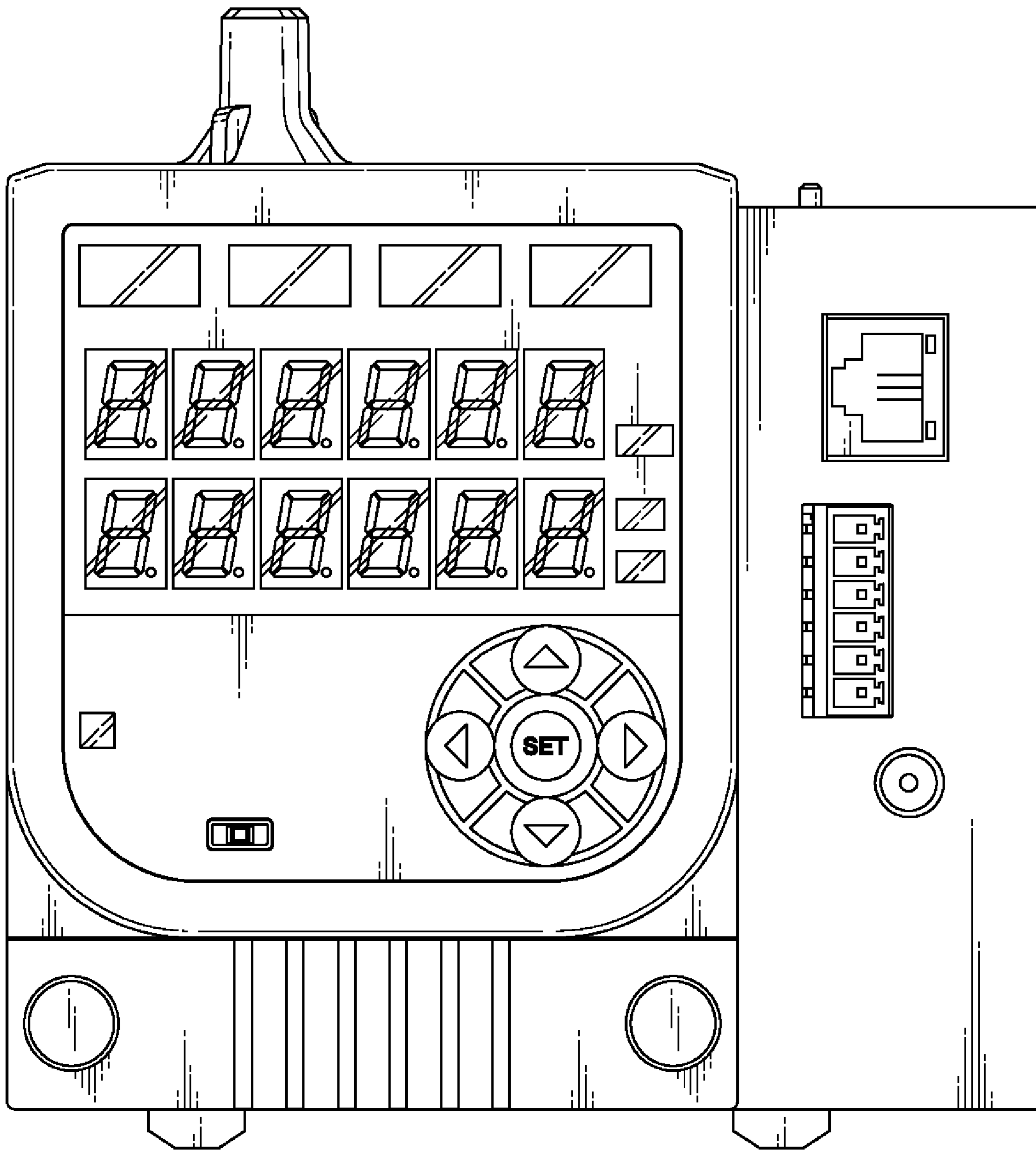


FIG.4

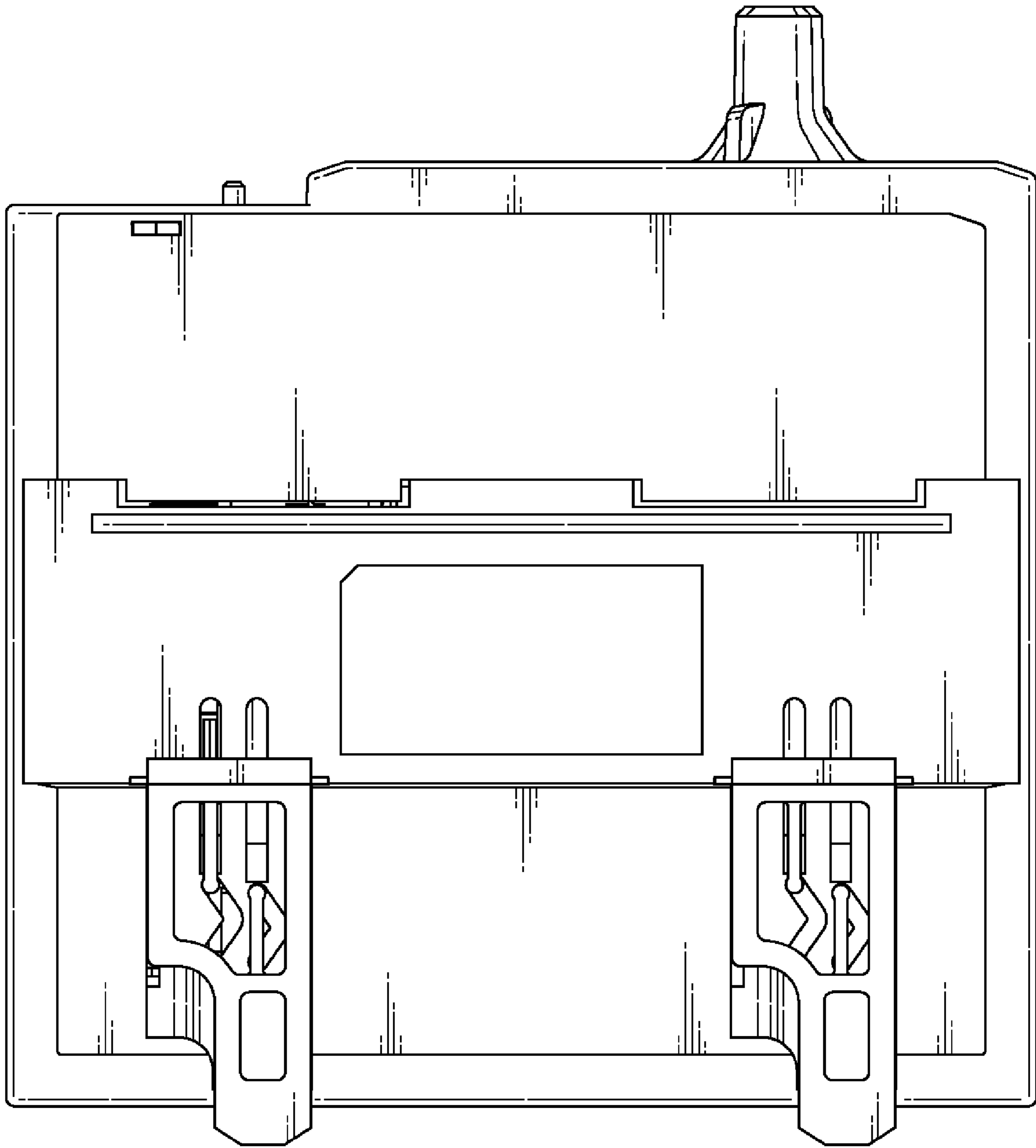


FIG.5

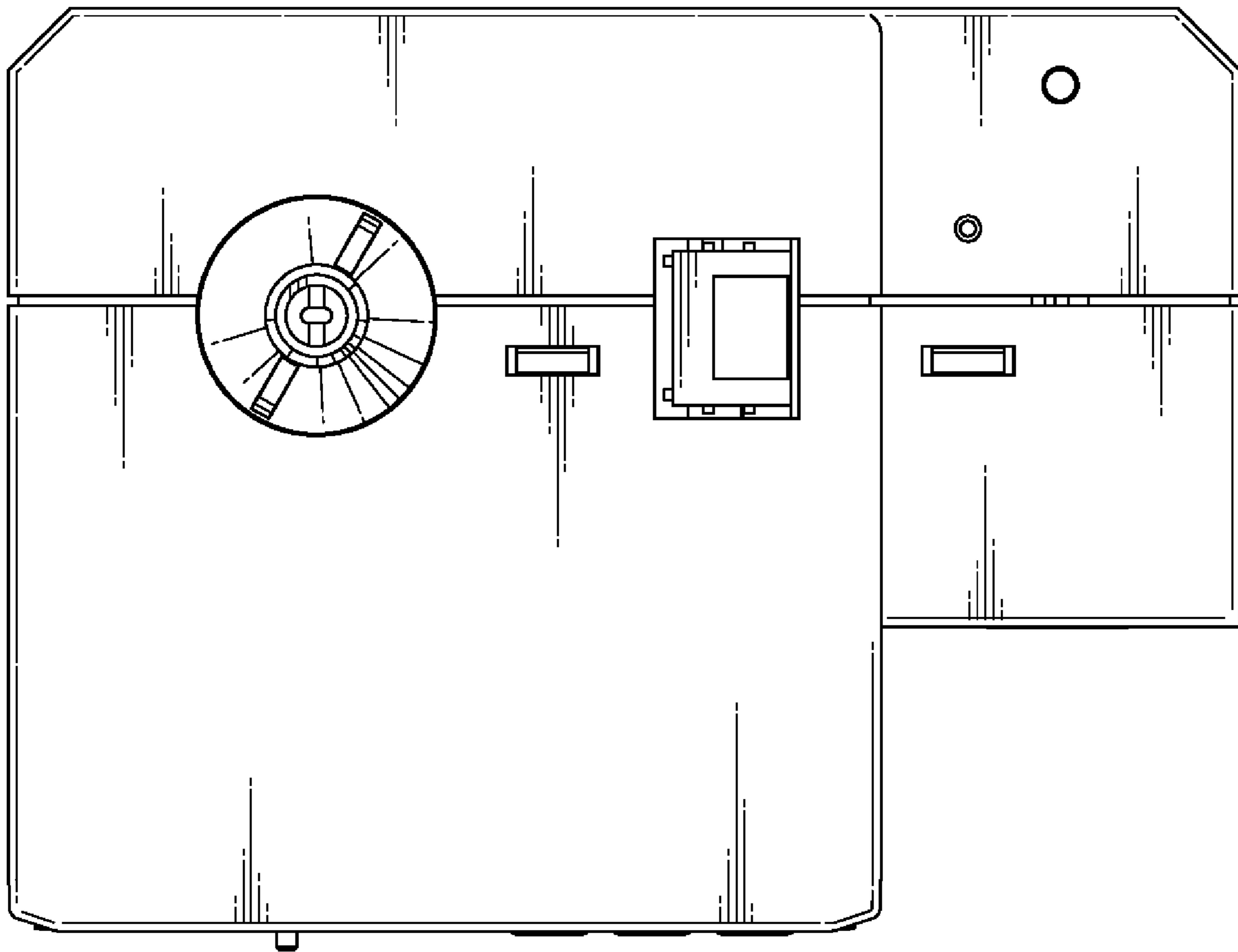


FIG.6

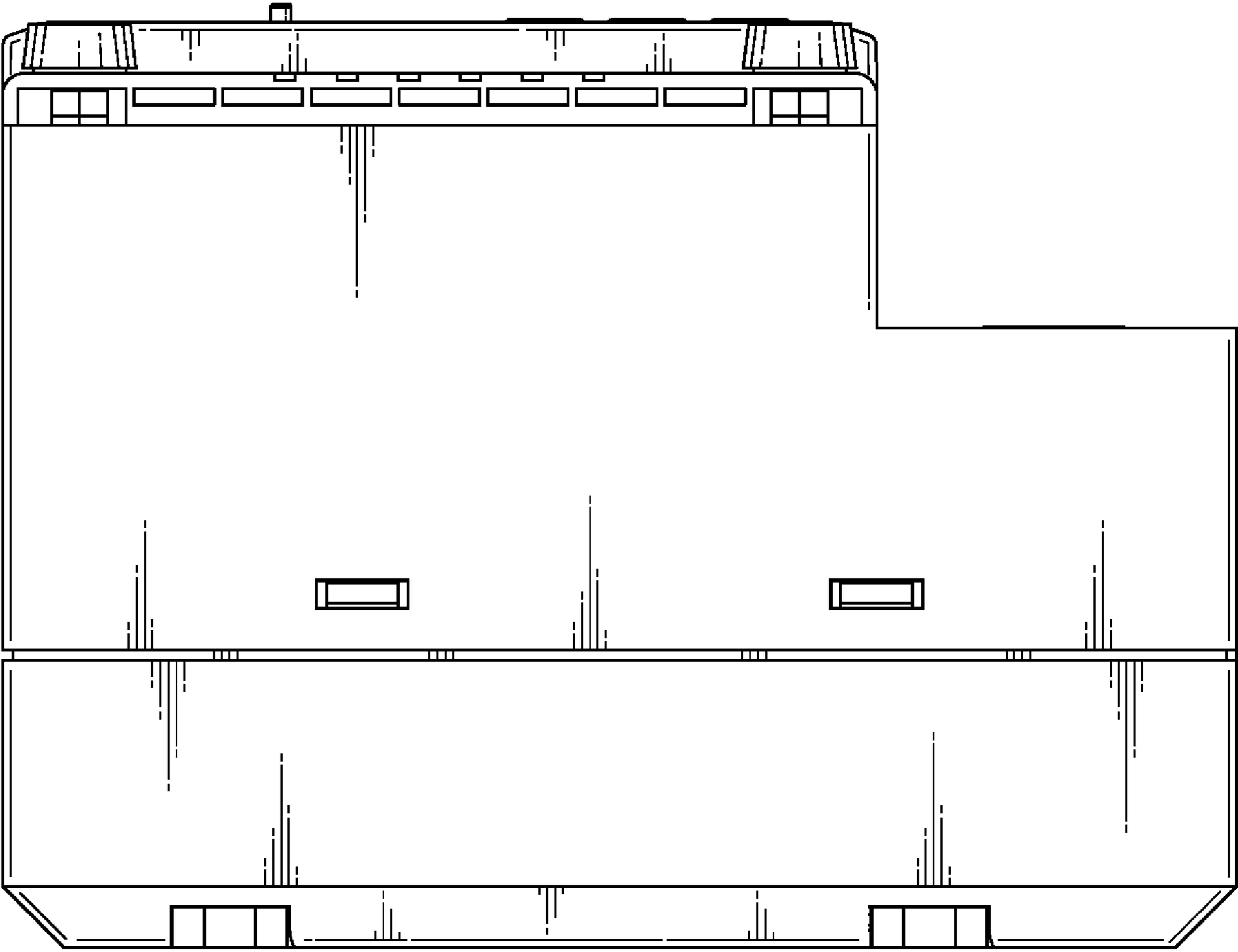


FIG. 7

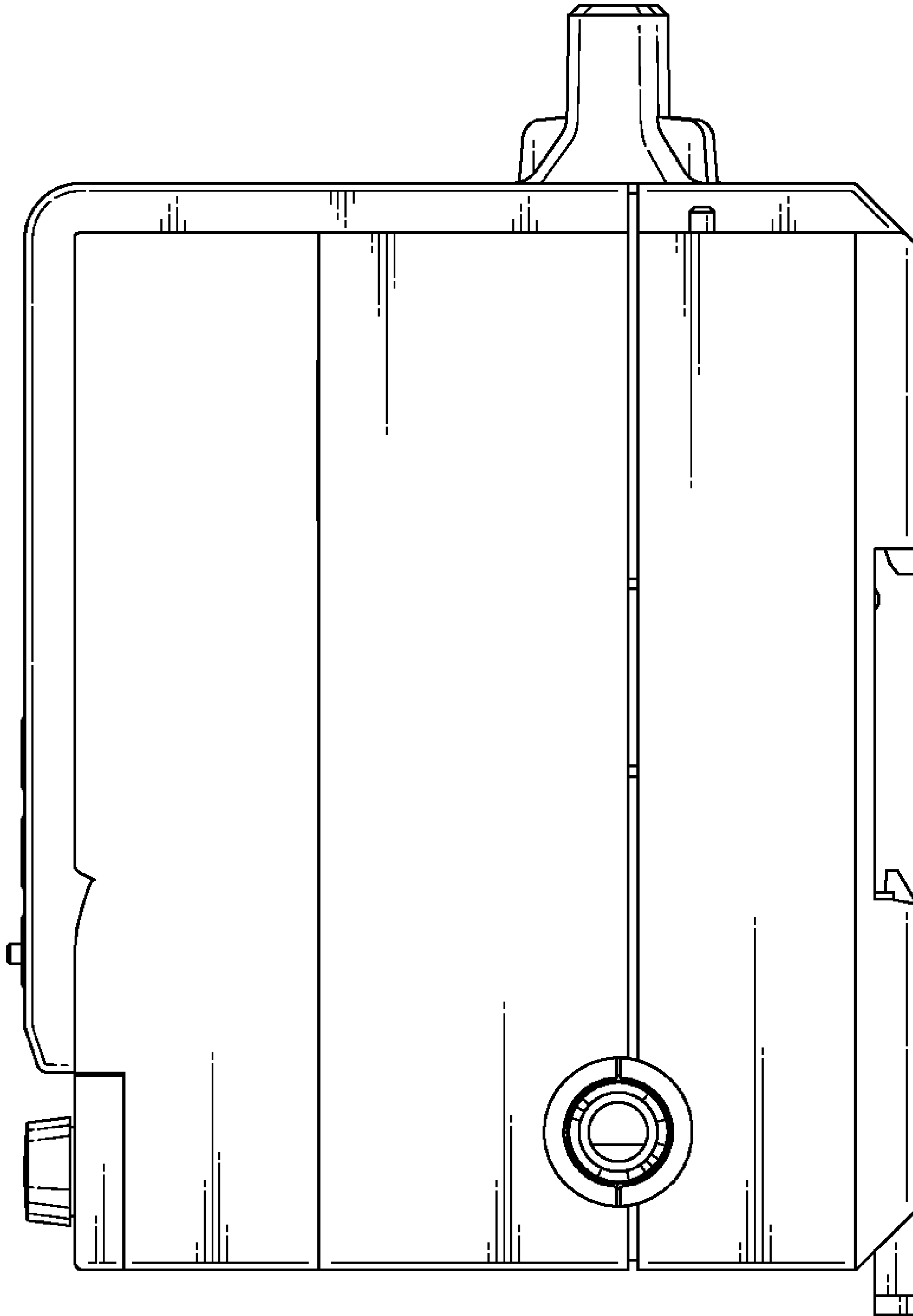




FIG.8

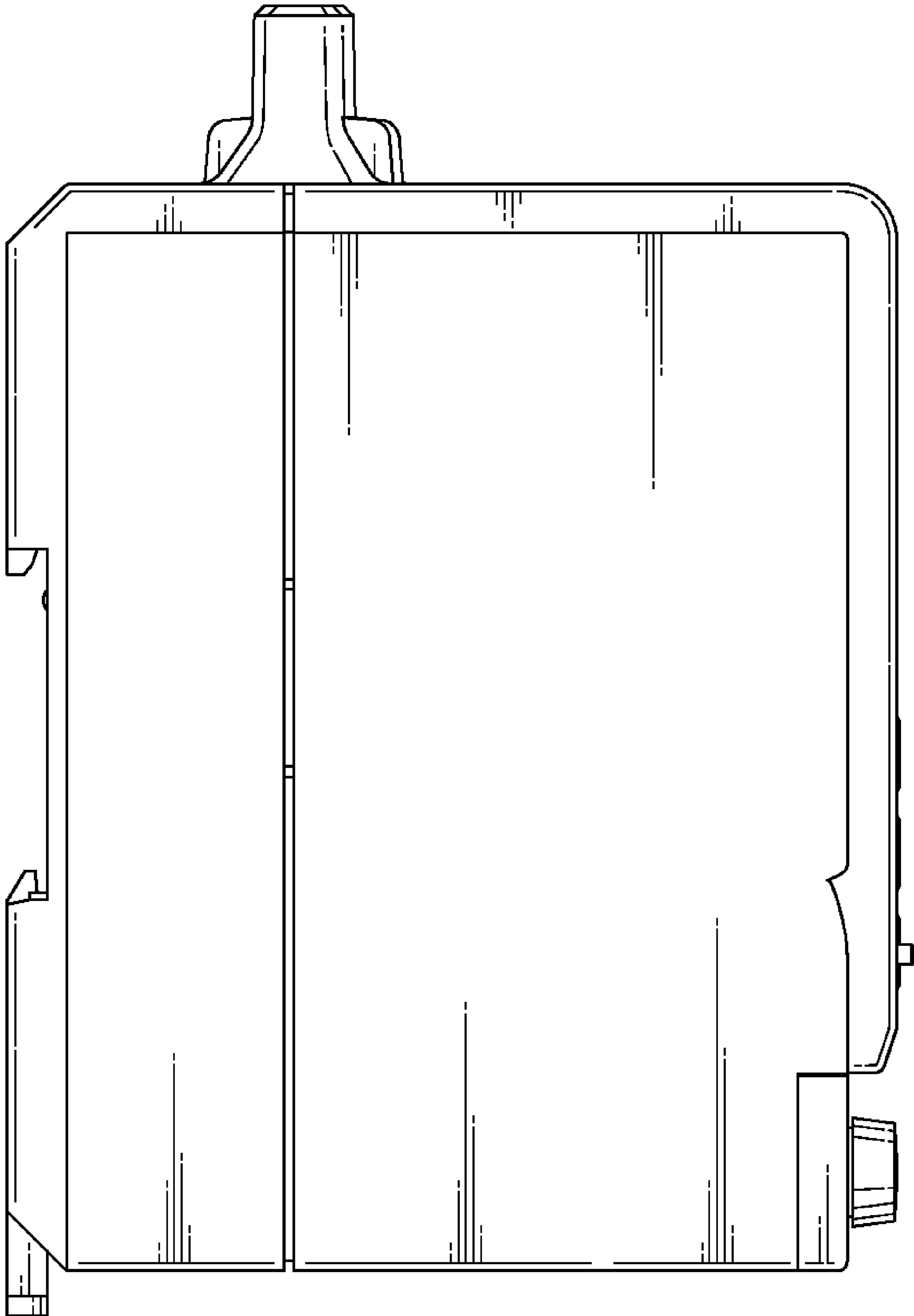


FIG.9

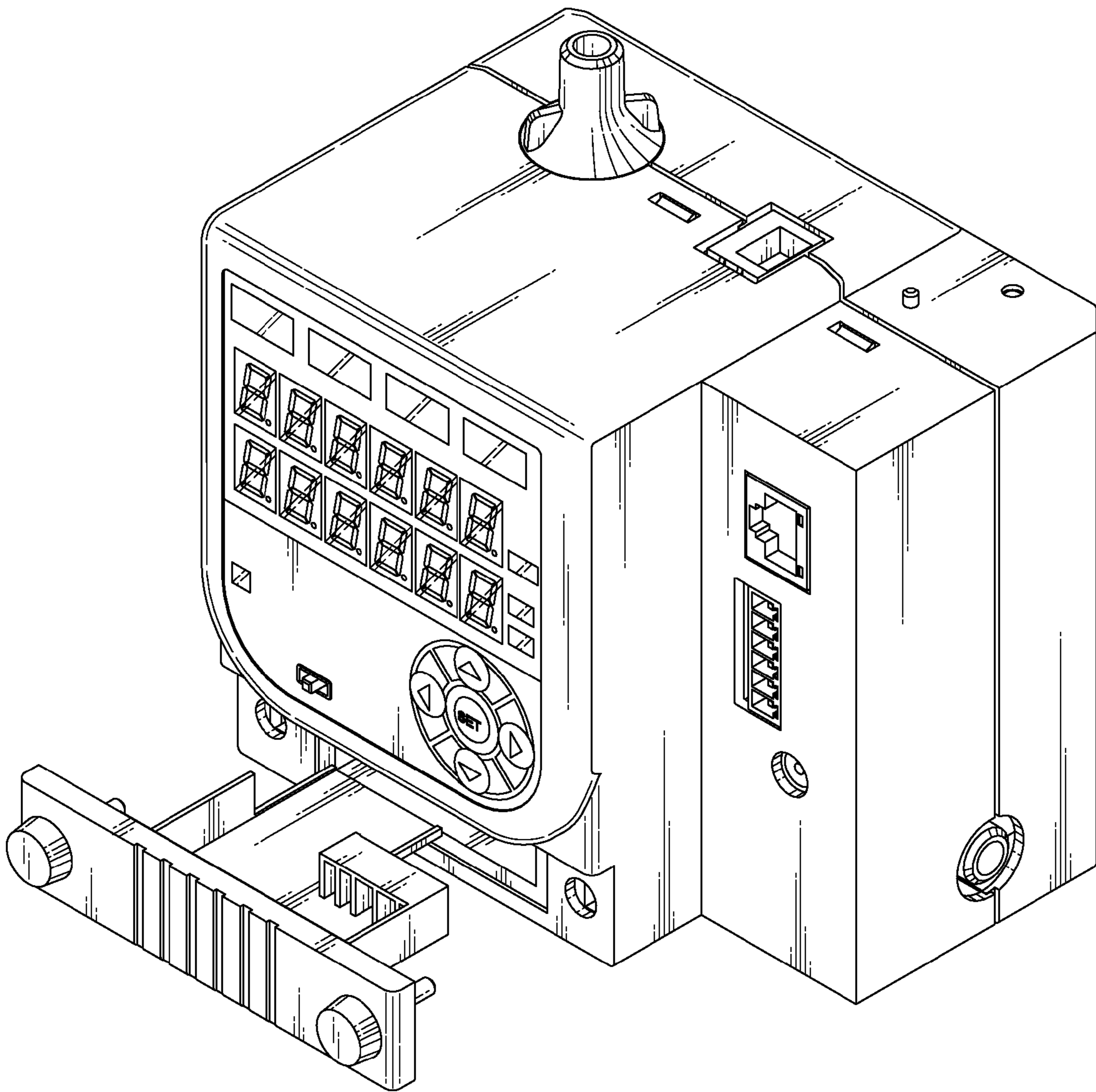


FIG. 10

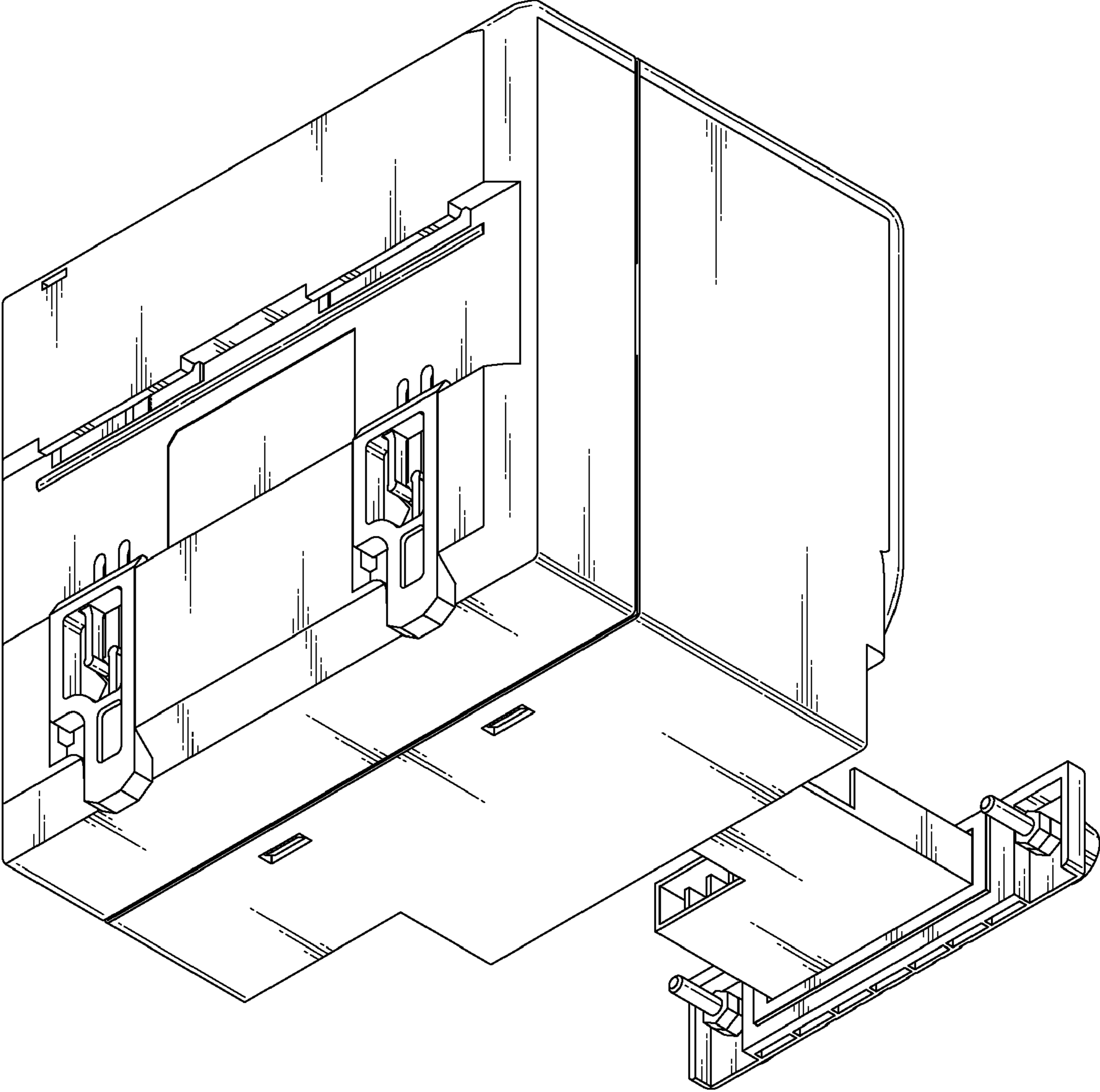


FIG. 11

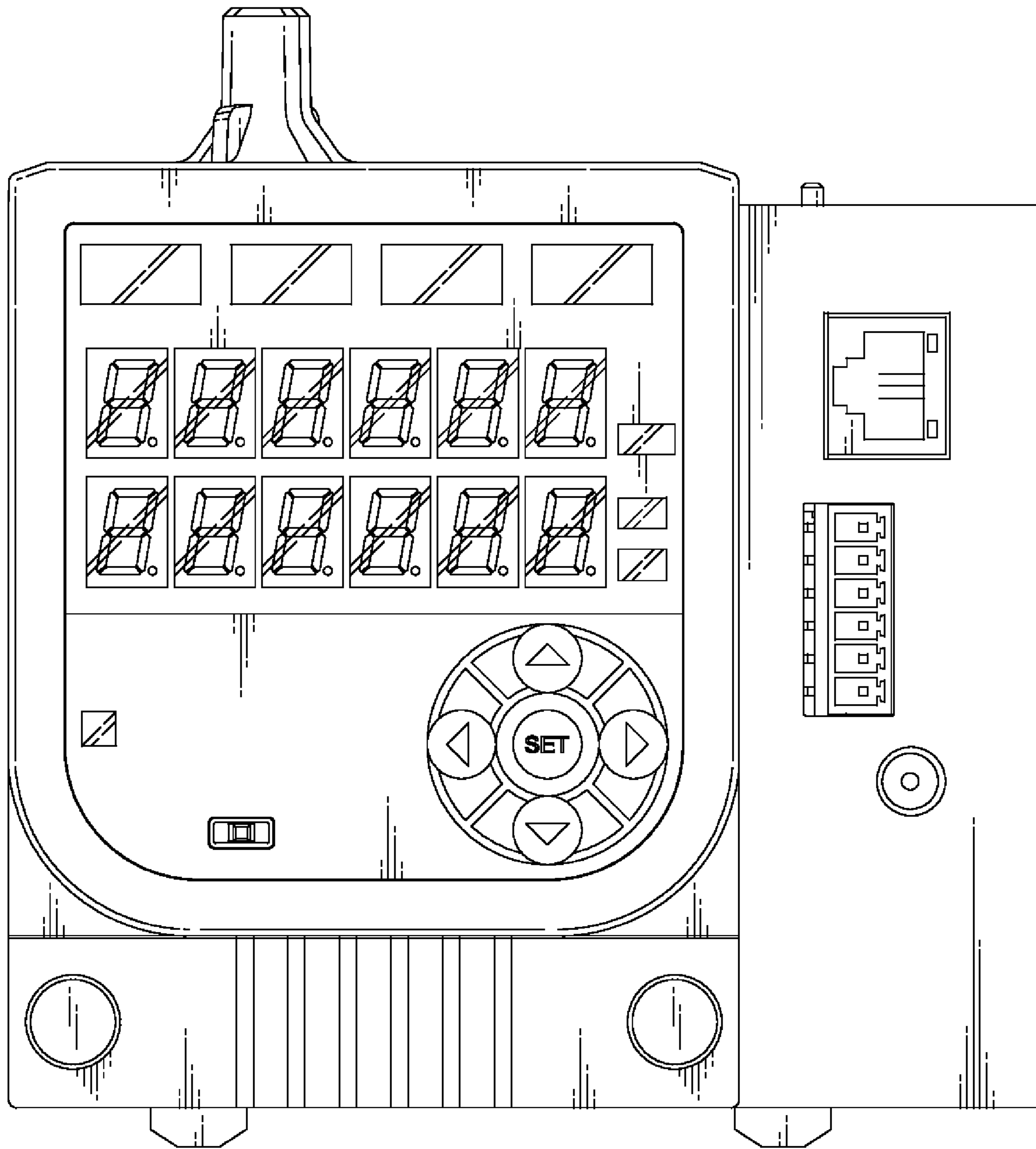


FIG. 12

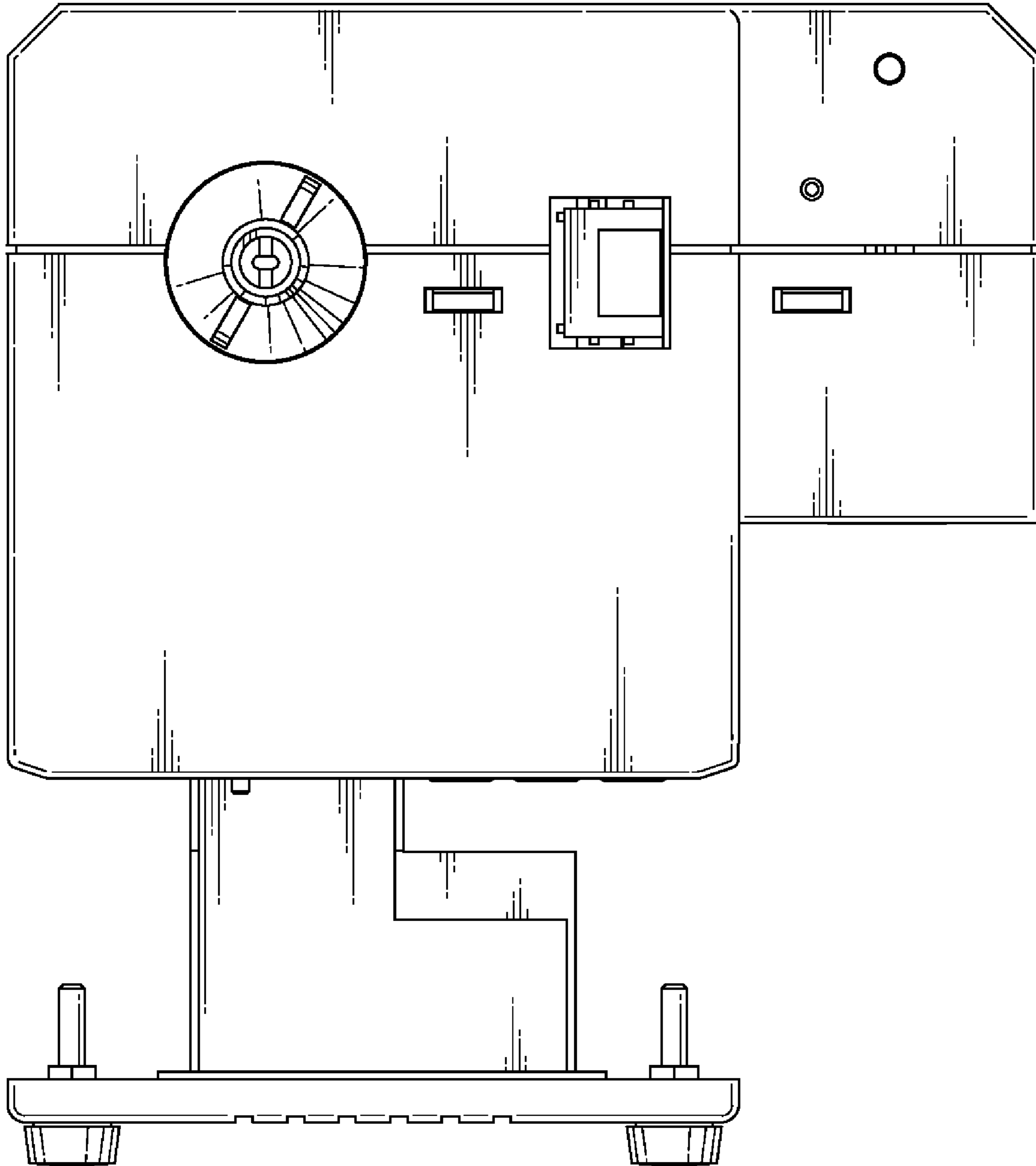


FIG. 13

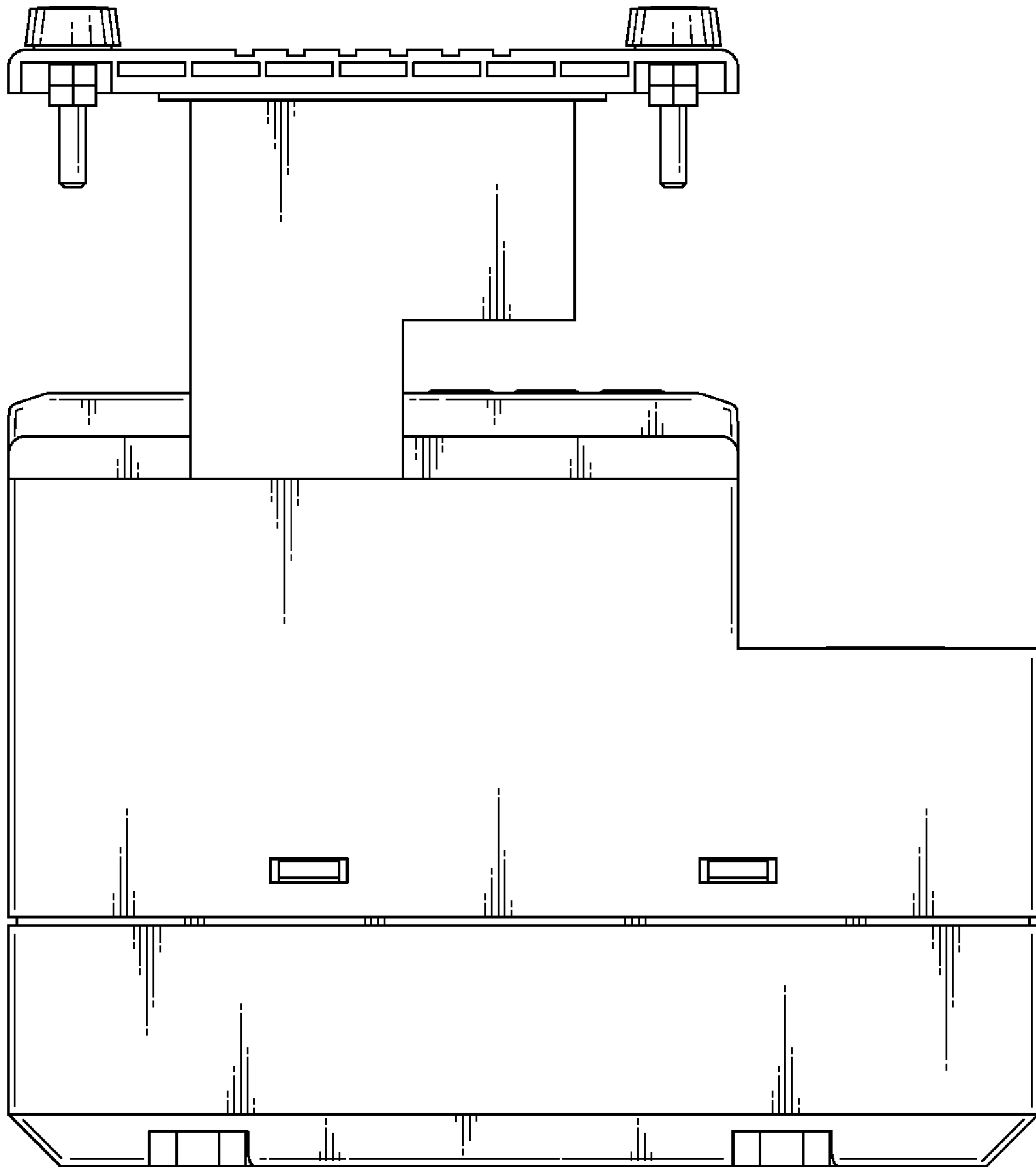


FIG. 14

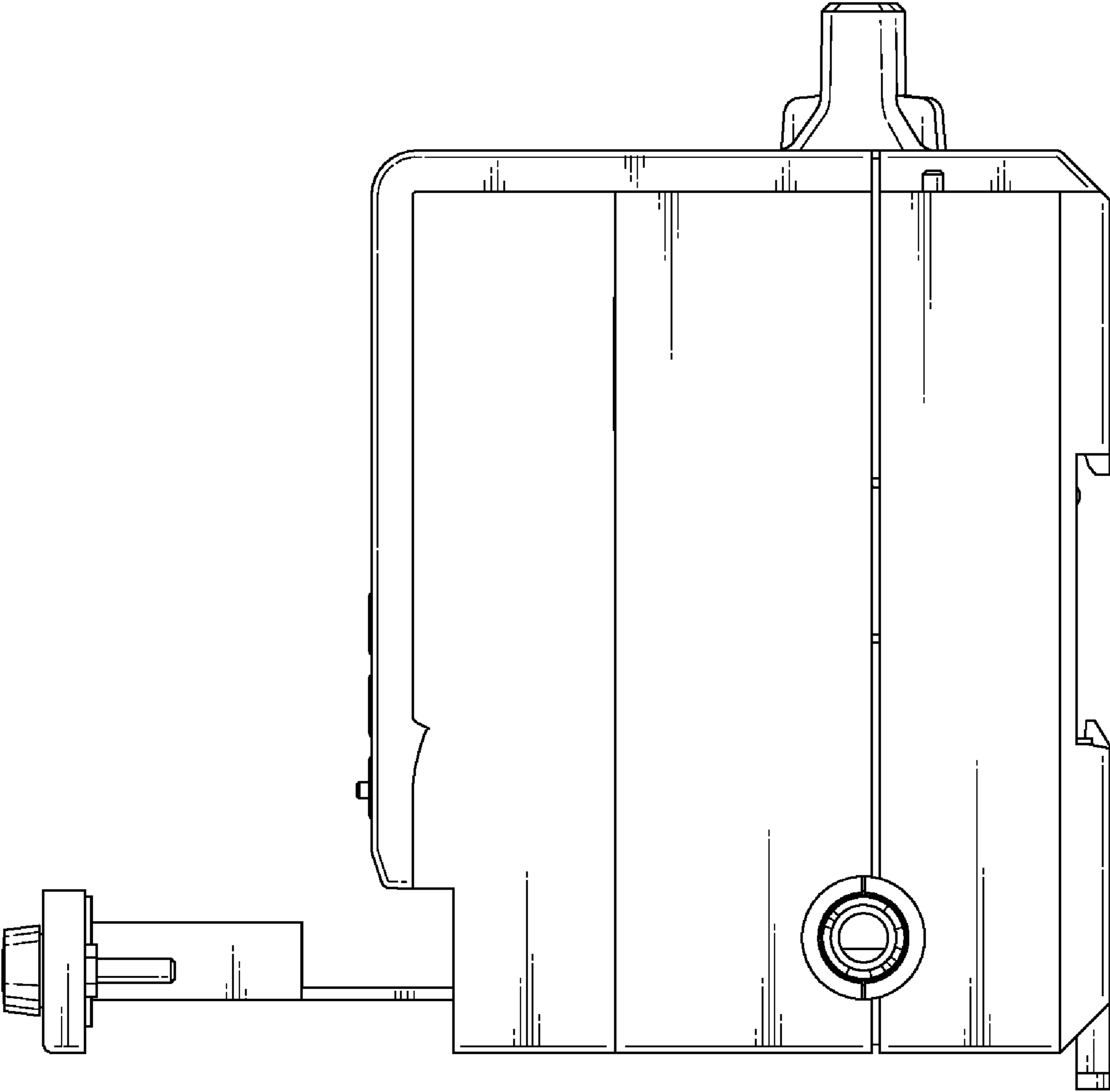


FIG. 15

