

US00D613186S

(12) **United States Design Patent**
Behling

(10) **Patent No.:** **US D613,186 S**

(45) **Date of Patent:** **** Apr. 6, 2010**

(54) **WATCH CASE**

(75) Inventor: **Christoph Behling**, London (GB)

(73) Assignee: **Tag Heuer SA**, La Chaux-de-Fonds (CH)

(**) Term: **14 Years**

(21) Appl. No.: **29/342,423**

(22) Filed: **Aug. 25, 2009**

(30) **Foreign Application Priority Data**

Mar. 11, 2009 (WO) DM/071 478

(51) **LOC (9) Cl.** **10-02**

(52) **U.S. Cl.** **D10/38**

(58) **Field of Classification Search** D10/30-39;
368/276, 281, 282, 285, 294, 295
See application file for complete search history.

(56) **References Cited**

U.S. PATENT DOCUMENTS

D349,653 S *	8/1994	Giardiello	D10/30
D365,283 S *	12/1995	Goulet Mauboussin	D10/30
D371,082 S *	6/1996	Oba	D10/39
D373,087 S *	8/1996	Goulet Mauboussin	D10/30
D386,429 S *	11/1997	Brodmann	D10/39
D386,698 S *	11/1997	Giardiello	D10/39
D445,344 S *	7/2001	Haquet	D10/30
D473,472 S *	4/2003	Wunderman	D10/32
D473,799 S *	4/2003	Wunderman	D10/32
D490,719 S *	6/2004	Schoepfer	D10/32

D507,496 S *	7/2005	Tang	D10/30
D517,432 S *	3/2006	Laucella	D10/39
D529,825 S *	10/2006	Perrenoud	D10/38
D536,268 S *	2/2007	Asakawa et al.	D10/38
D570,231 S *	6/2008	Actis-Datta	D10/38
D574,733 S *	8/2008	Blair	D10/32
D574,736 S *	8/2008	Actis-Datta	D10/38
D579,792 S *	11/2008	Calvani	D10/39
D588,475 S *	3/2009	Calvani	D10/39
D590,727 S *	4/2009	Wei	D10/38
D592,975 S *	5/2009	Markl	D10/32
D601,909 S *	10/2009	Behling	D10/38

* cited by examiner

Primary Examiner—Lucy Lieberman

(74) *Attorney, Agent, or Firm*—Gottlieb, Rackman & Reisman

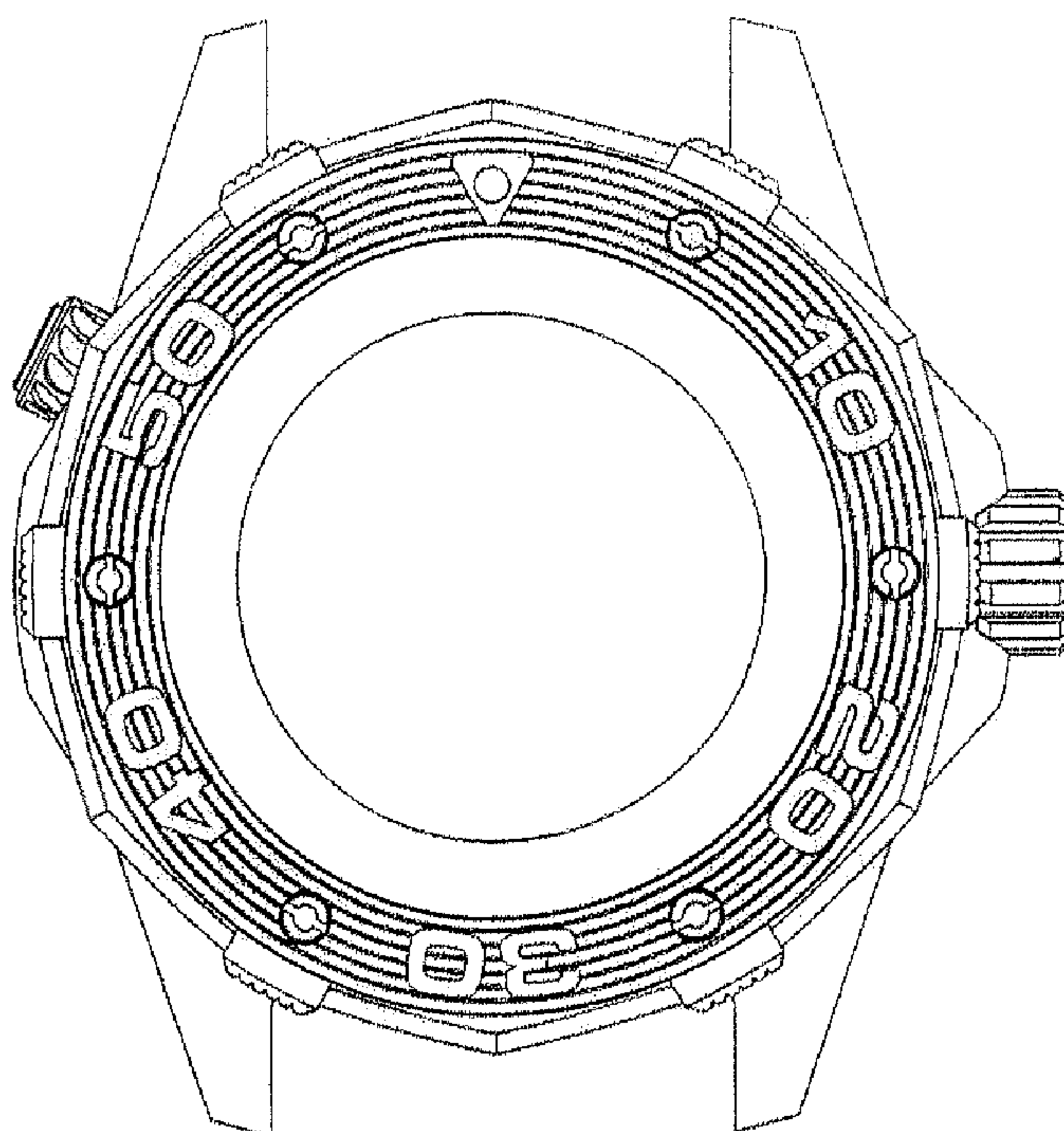
(57) **CLAIM**

The ornamental design for a watch case, as shown and described.

DESCRIPTION

FIG. 1 is a front elevational view showing my new design;
FIG. 2 is a rear elevational view thereof;
FIG. 3 is a right side elevational view thereof;
FIG. 4 is a left side elevational view thereof;
FIG. 5 is a bottom plan view thereof;
FIG. 6 is a top plan view thereof; and,
FIG. 7 is perspective view thereof.

1 Claim, 1 Drawing Sheet



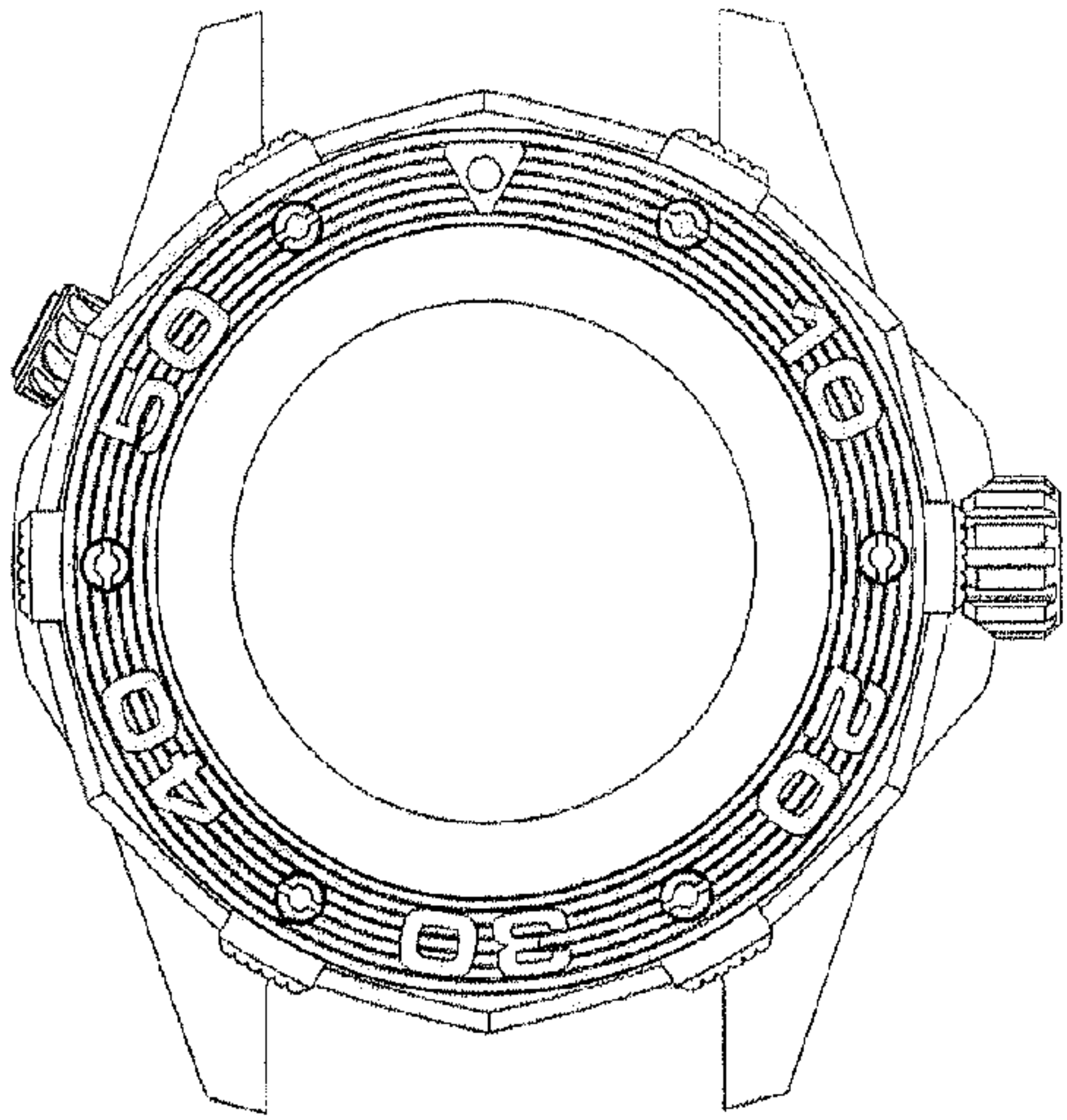


FIG. 1

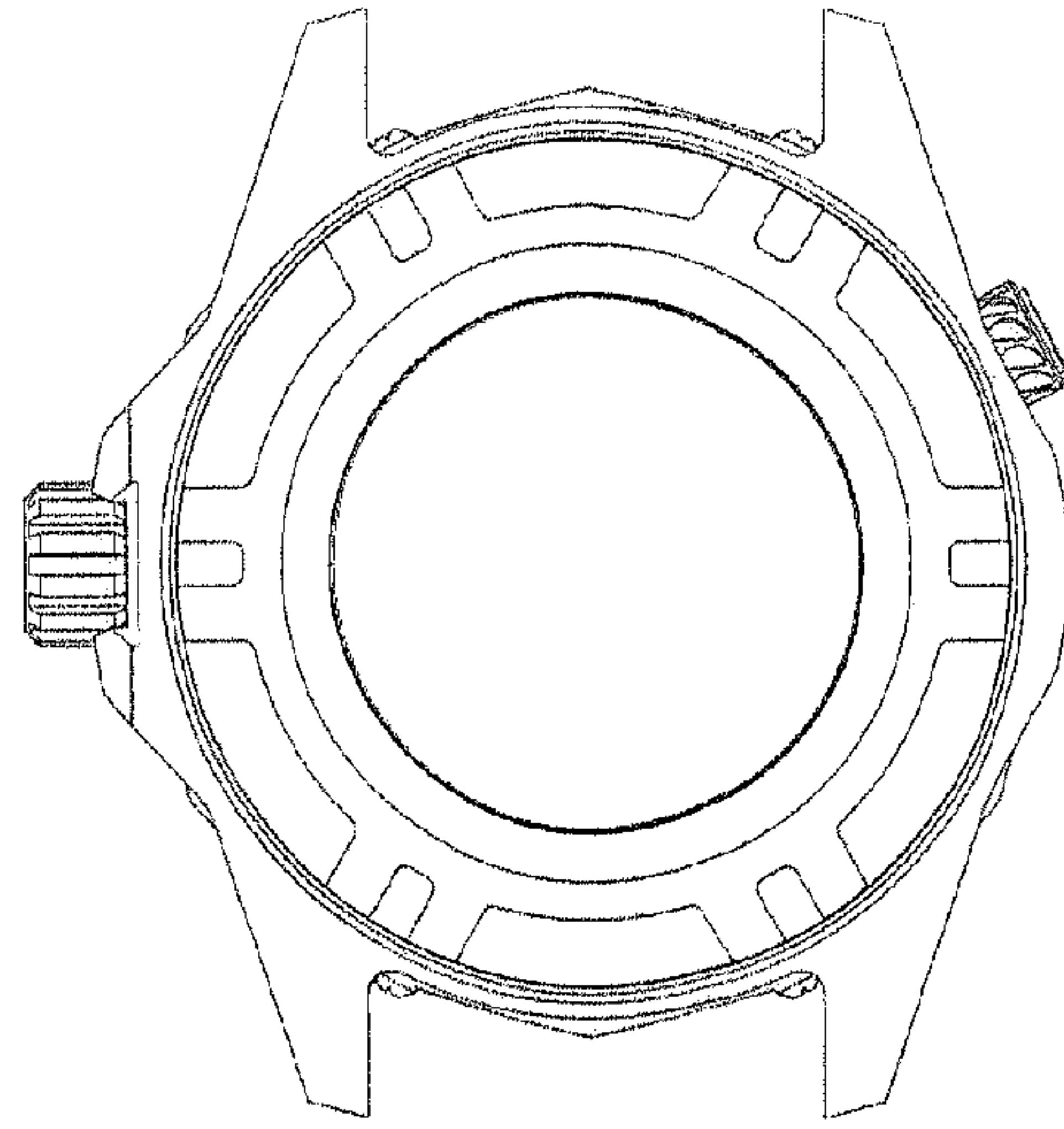


FIG. 2

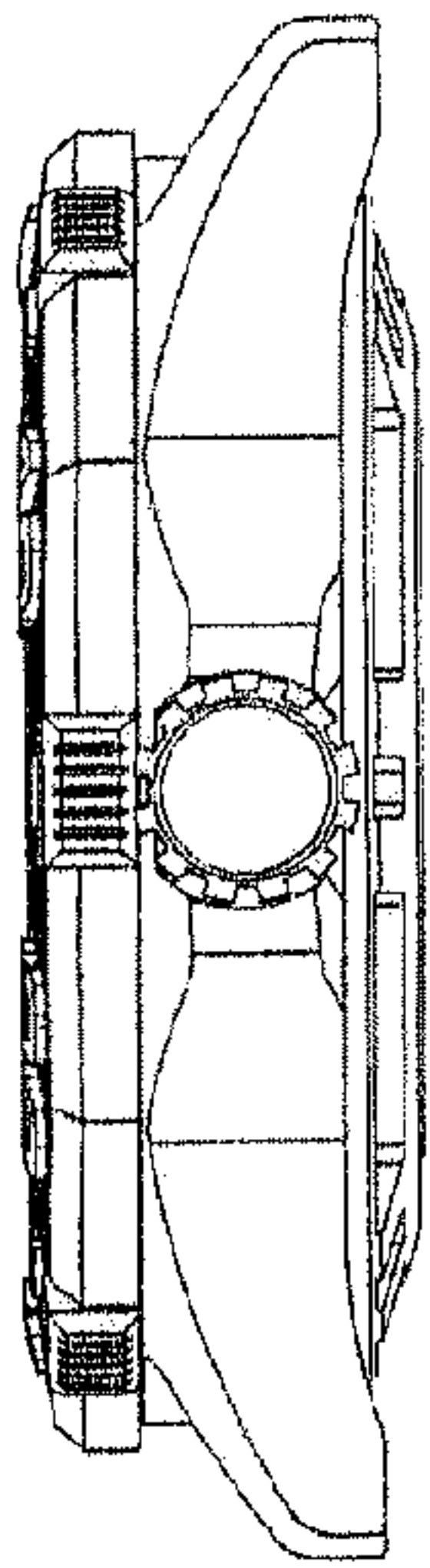


FIG. 3

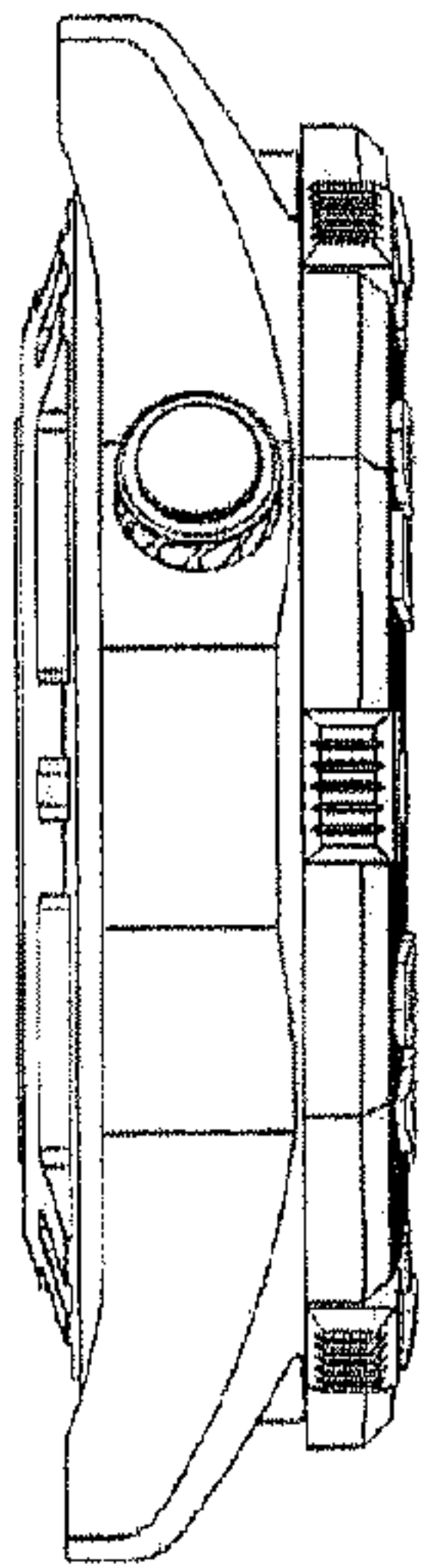


FIG. 4

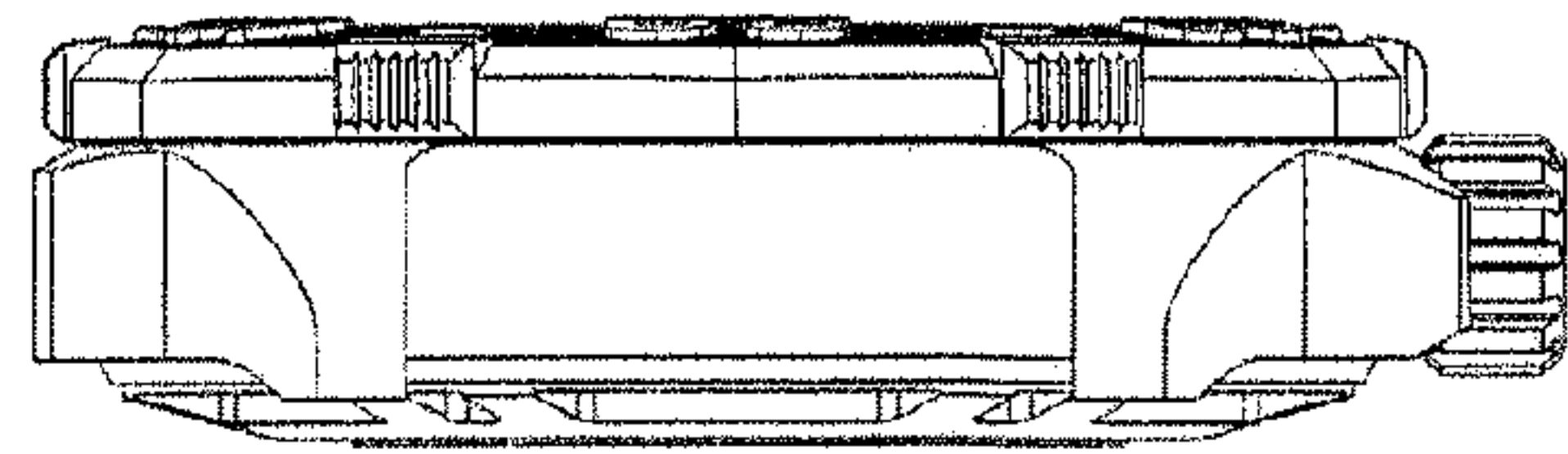


FIG. 5

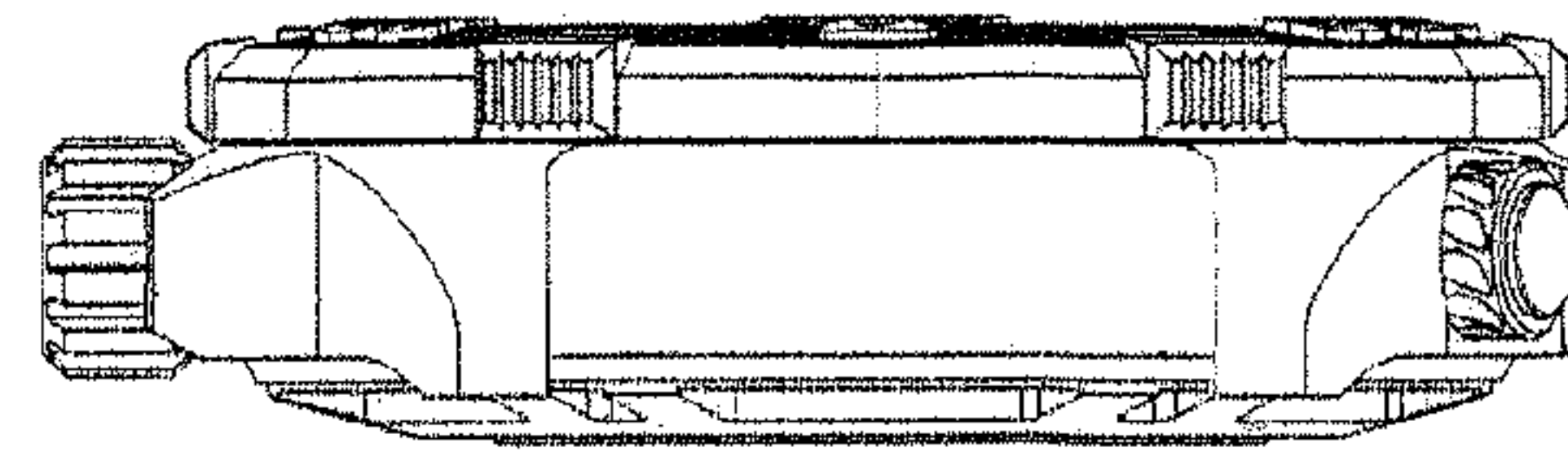


FIG. 6

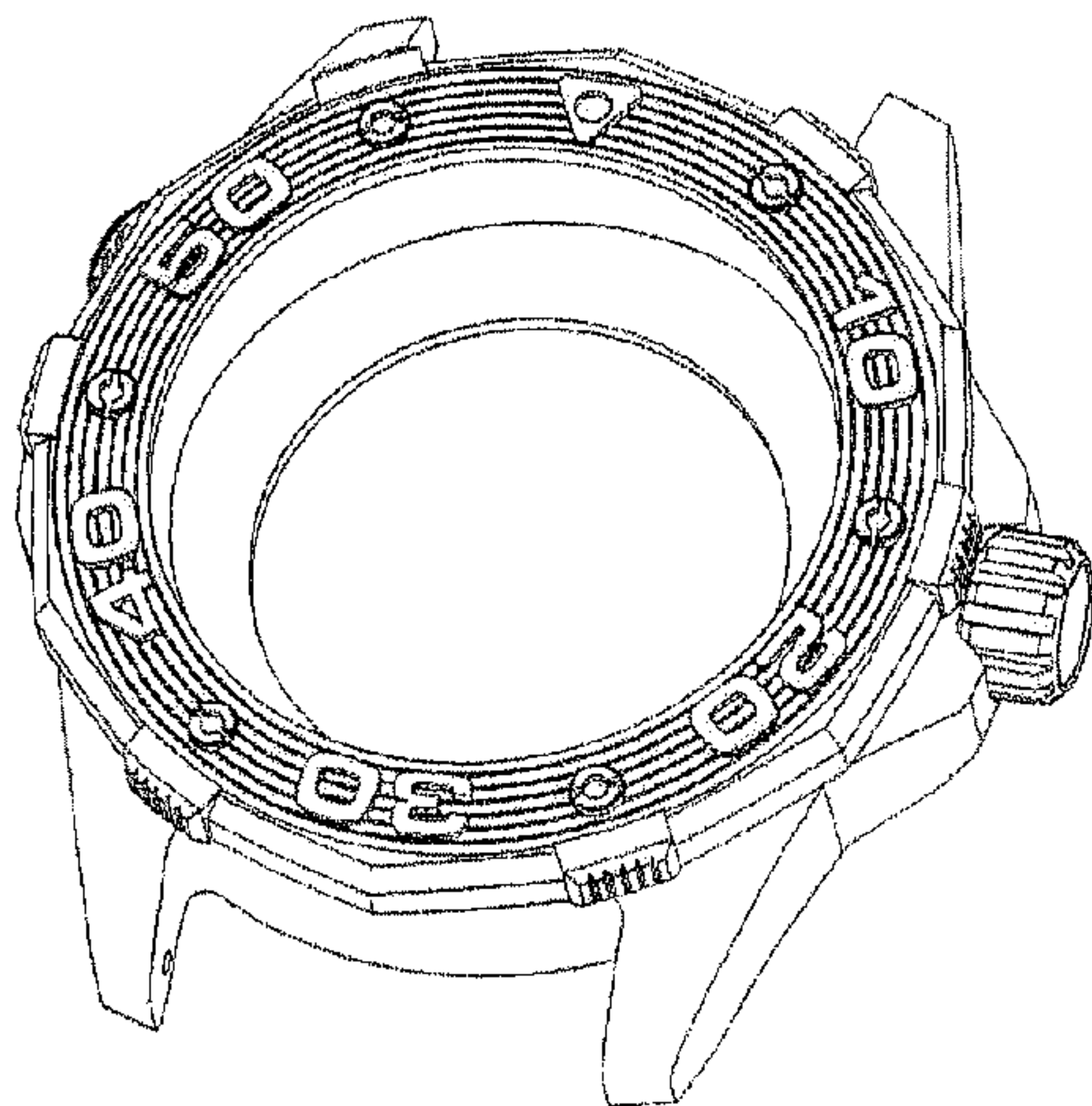


FIG. 7