



US00D613171S

(12) **United States Design Patent**
Sempé

(10) **Patent No.:** **US D613,171 S**

(45) **Date of Patent:** **** Apr. 6, 2010**

(54) **STAND FOR DISPLAYING BOTTLES**

(75) Inventor: **Inga Catherine Marie Sempé**, Cognac (FR)

(73) Assignee: **Societe Jas Hennessy & Co.**, Cognac (FR)

(**) Term: **14 Years**

(21) Appl. No.: **29/308,460**

(22) Filed: **Jun. 18, 2008**

(30) **Foreign Application Priority Data**

Dec. 21, 2007 (EM) 000848494-0001

(51) **LOC (9) Cl.** **09-01**

(52) **U.S. Cl.** **D9/517**

(58) **Field of Classification Search** D9/414, D9/415, 416, 419, 501, 516, 517, 518, 529, D9/530, 531, 541-543, 548, 559, 560, 563, D9/738, 739; 215/381-385

See application file for complete search history.

(56) **References Cited**

U.S. PATENT DOCUMENTS

838,031	A *	12/1906	Kirkpatrick	206/45.23
D91,073	S *	11/1933	Lackaye	D9/739
D92,782	S *	7/1934	Tourtois	D9/721
D117,560	S *	11/1939	Grullemans	D9/721
2,717,073	A *	9/1955	Young	229/120.24
D181,410	S *	11/1957	de Kolb	D9/739
D221,061	S *	7/1971	Ford	D9/739
D229,394	S *	11/1973	de Givenchy	D9/739
D231,903	S *	6/1974	Berman	D9/739
D246,437	S *	11/1977	Grodin	D9/739
D267,150	S *	12/1982	Kinsell, Jr.	D9/416
D329,601	S *	9/1992	Samelson	D9/721
D329,808	S *	9/1992	Giraud	D9/415
5,582,293	A *	12/1996	Kay	206/457
D431,462	S *	10/2000	Menaged et al.	D9/416

D472,463	S *	4/2003	Kinigakis	D9/416
D503,614	S *	4/2005	Sax et al.	D9/416
D503,884	S *	4/2005	Camilleri-Oller et al.	D9/432
D572,581	S *	7/2008	Steele et al.	D9/418

OTHER PUBLICATIONS

U.S. Appl. No. 29/308,463, filed Jun. 18, 2008.

* cited by examiner

Primary Examiner—Stella M Reid

Assistant Examiner—Elizabeth J Oswecki

(74) *Attorney, Agent, or Firm*—Fross Zelnick Lehrman & Zizzu, P.C.; Lawrence E. Apölzon, Esq.

(57) **CLAIM**

The ornamental design for a stand for displaying bottles, as shown and described.

DESCRIPTION

FIG. 1 is a front perspective view of a stand for displaying bottles shown in a closed position showing my new design;

FIG. 2 is a front view thereof;

FIG. 3 is a top view thereof;

FIG. 4 is a right side view thereof, with the left side view being a mirror image thereof;

FIG. 5 is a rear view thereof;

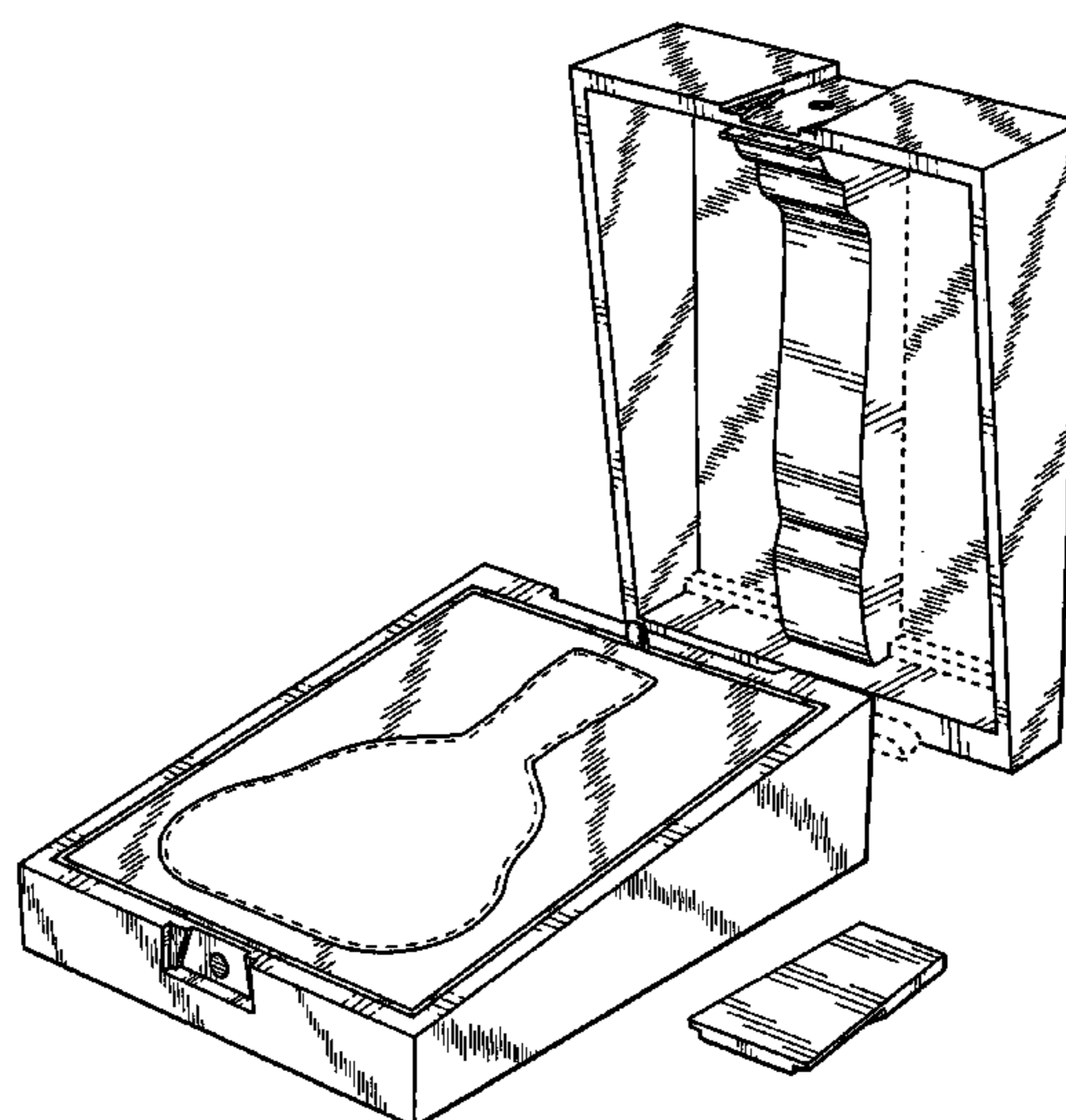
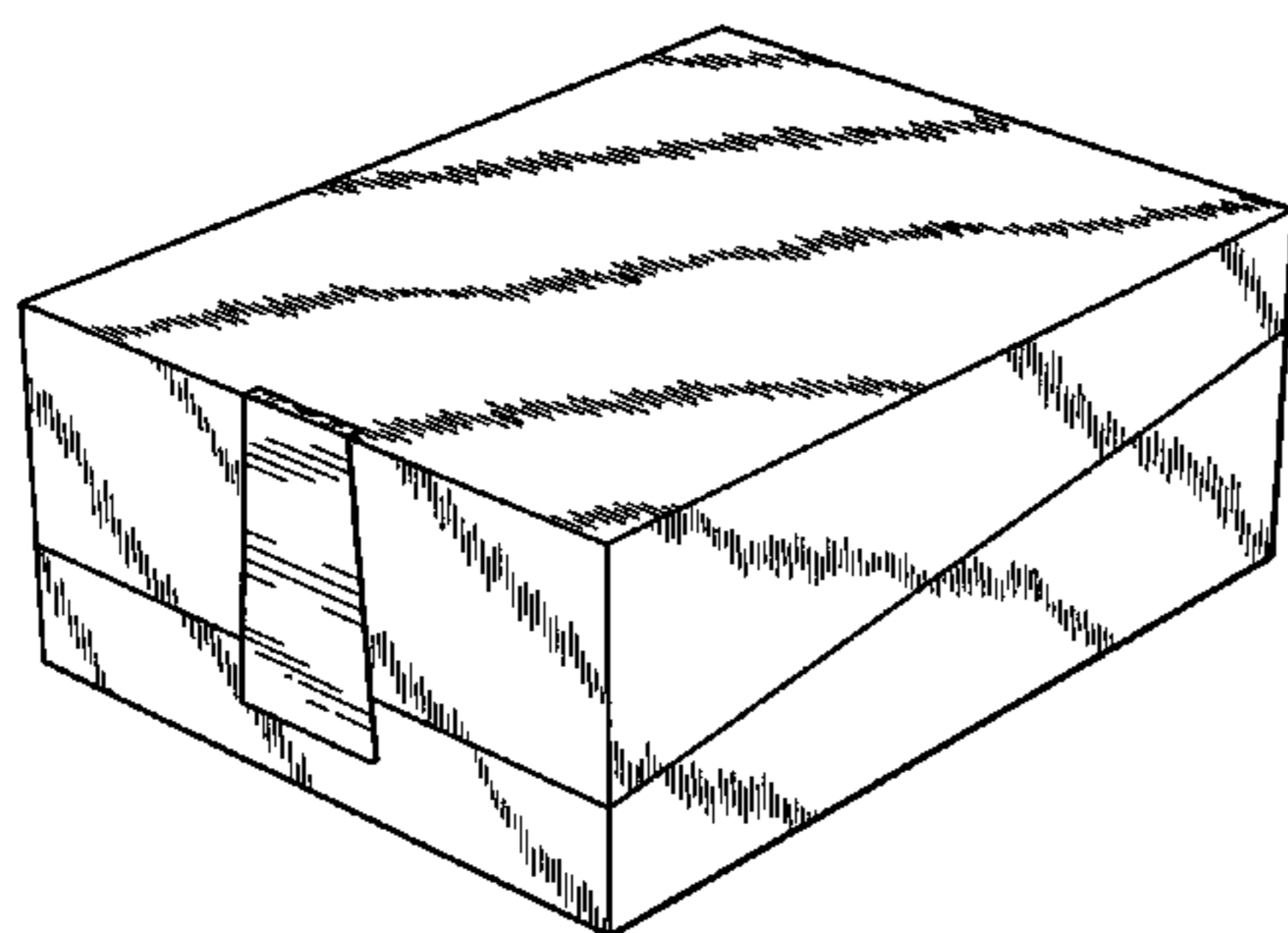
FIG. 6 is a front perspective view of a stand for displaying bottles shown in an open position, with a lock piece removed; and,

FIG. 7 is a front perspective view of a stand for displaying bottles shown in an open position, with a lock piece and bottle-holder removed.

The bottom of the stand is plain and unornamented.

The broken line showing of the interior of the bottle display area in FIGS. 6 and 7 is for illustrative purposes only and forms no part of the claimed design.

1 Claim, 7 Drawing Sheets



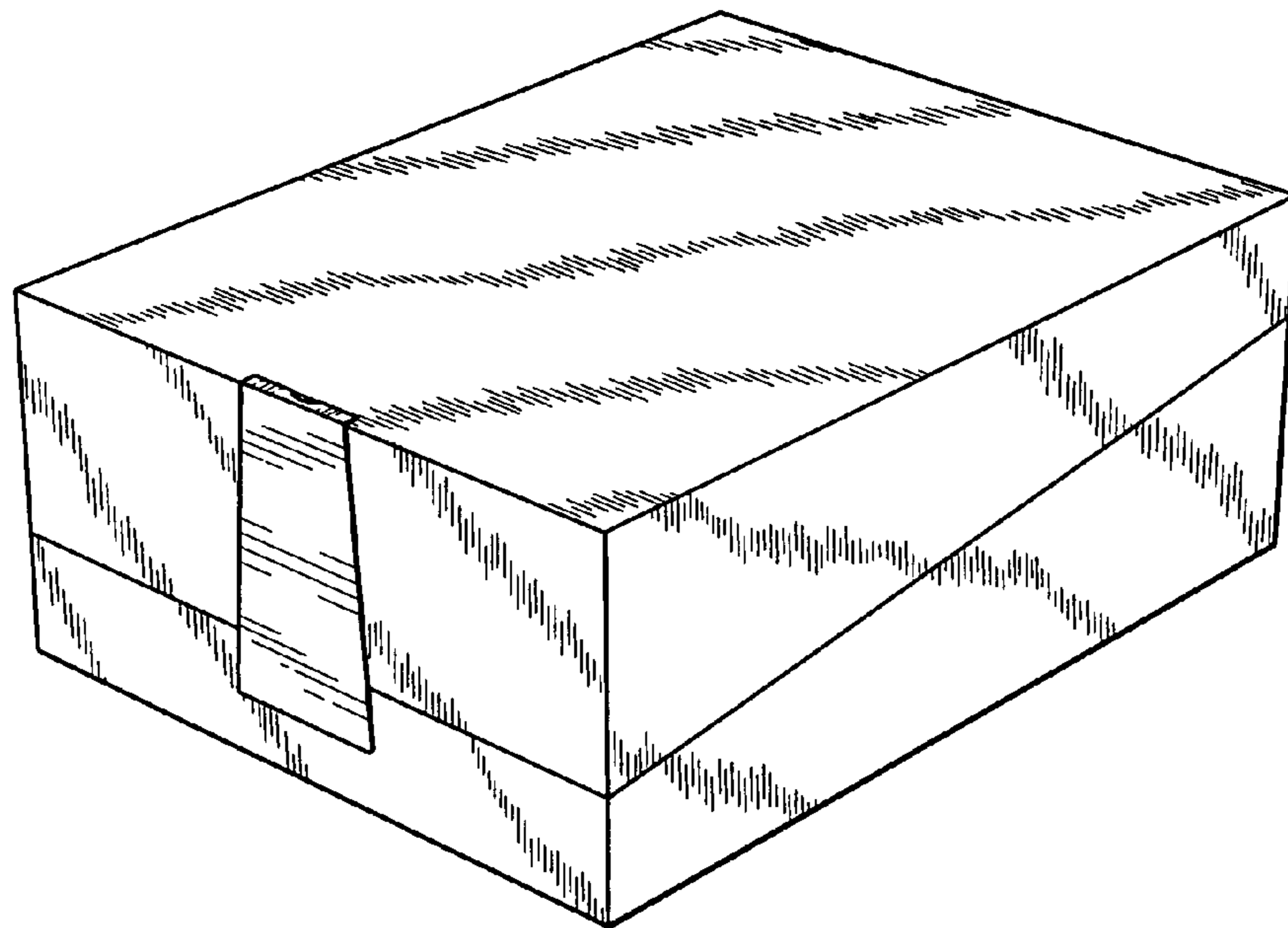


FIG. 1

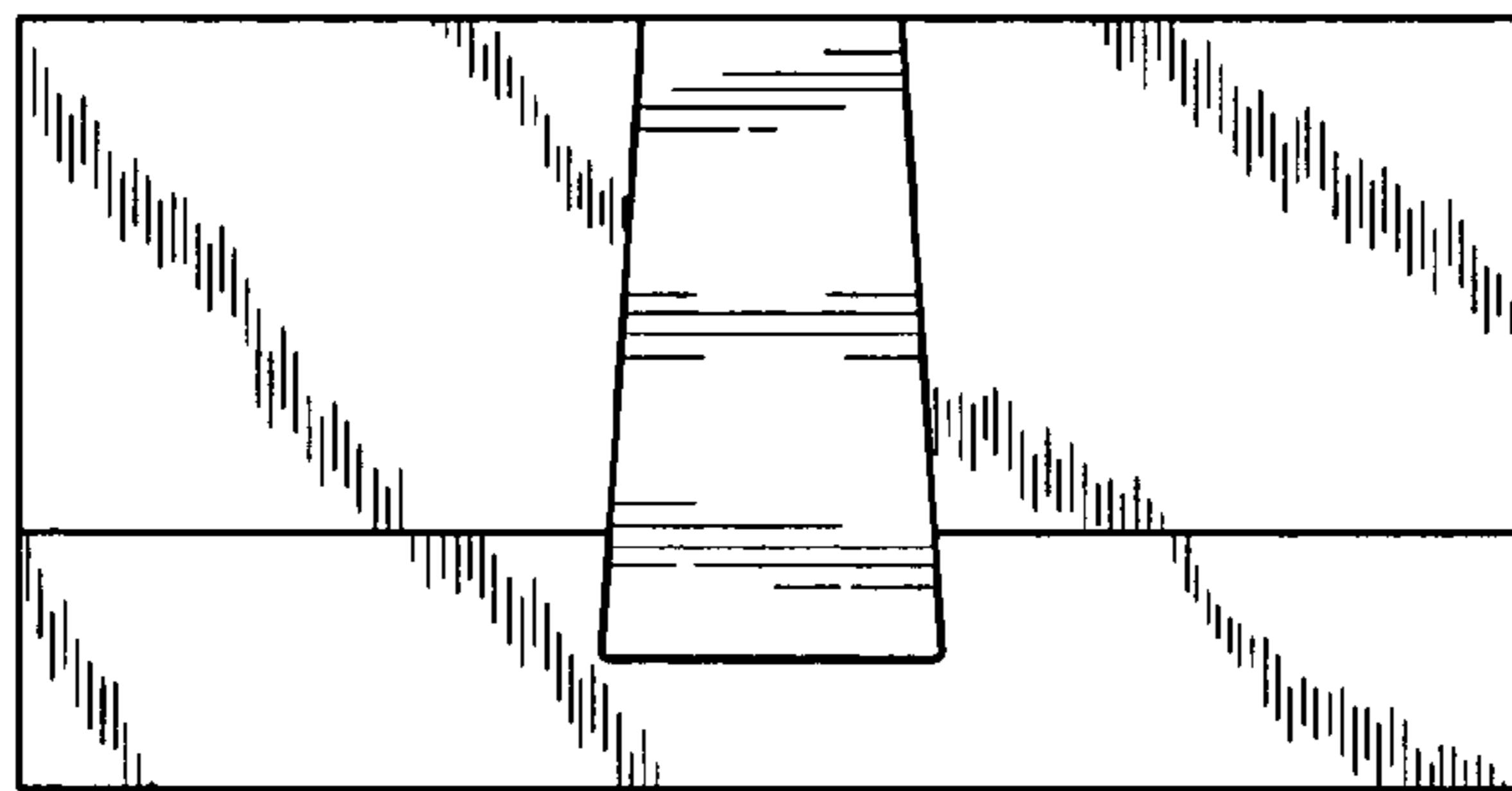


FIG. 2

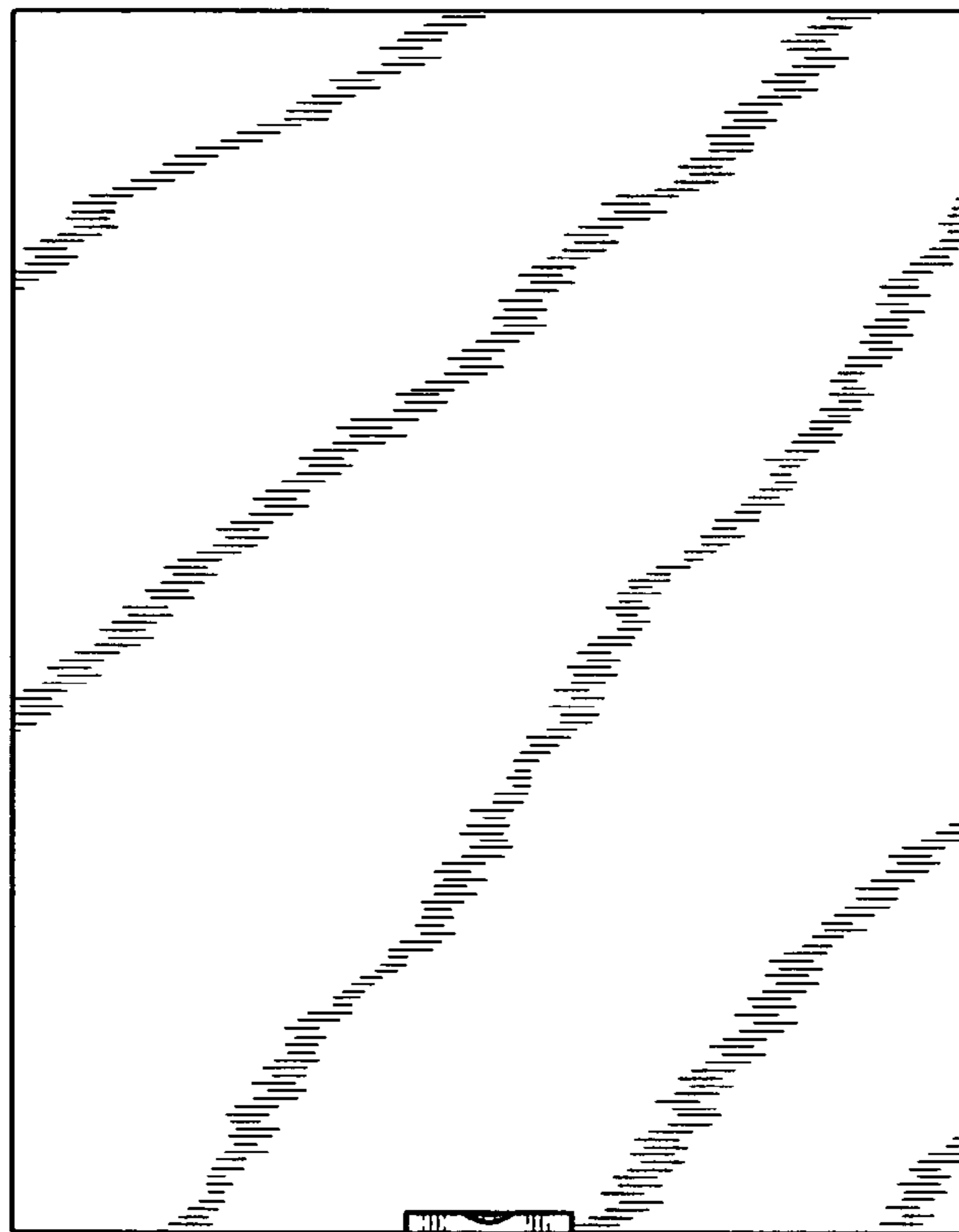


FIG. 3

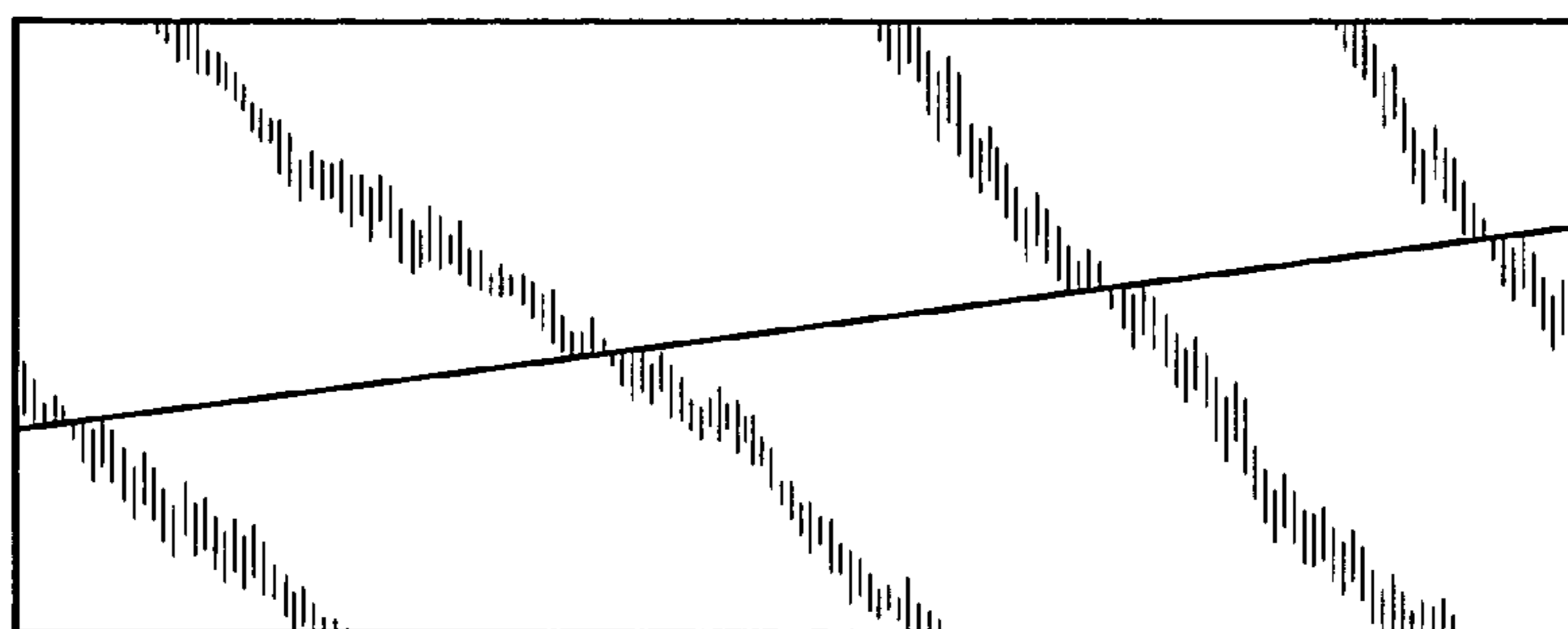


FIG. 4

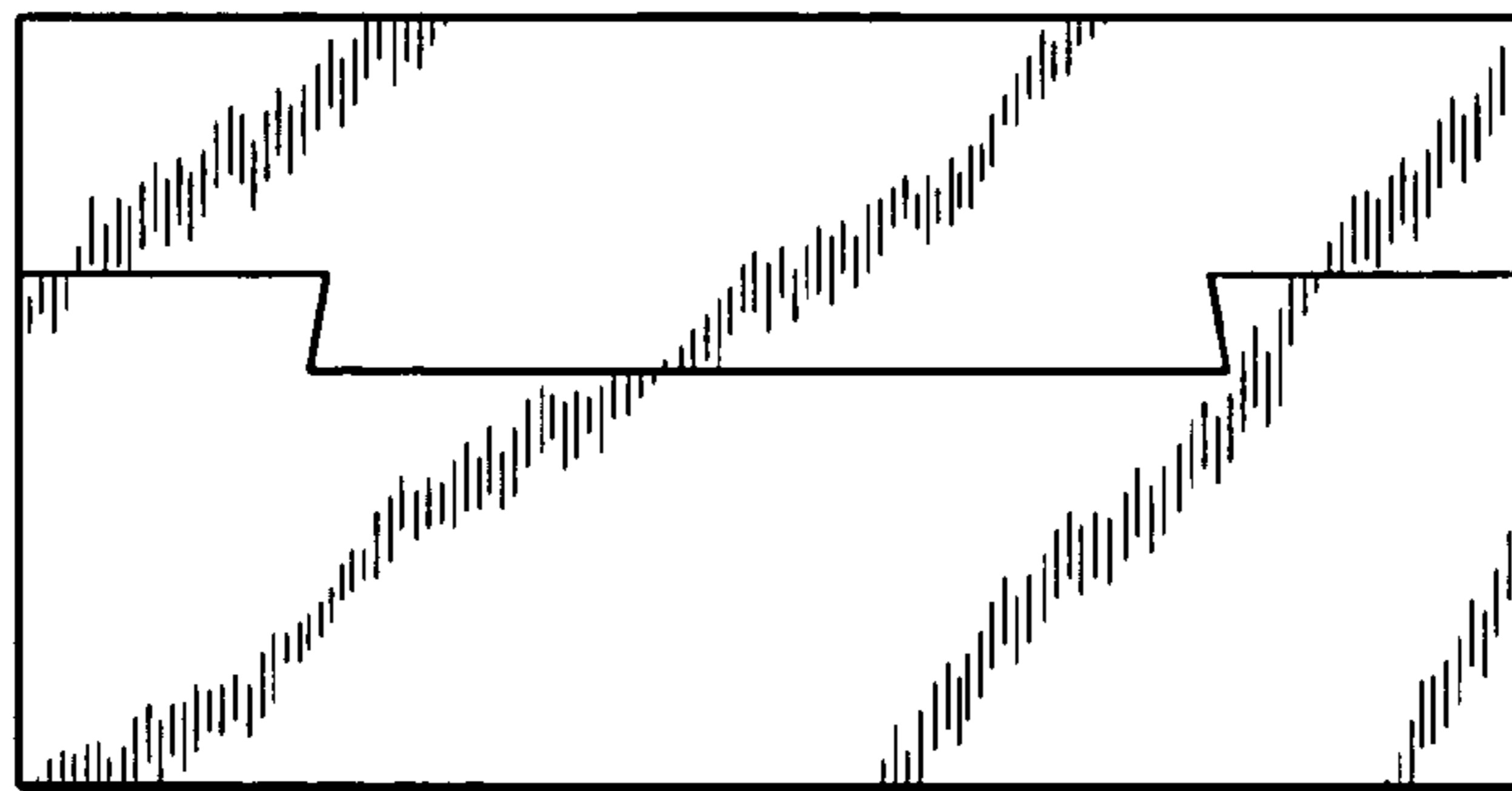


FIG. 5

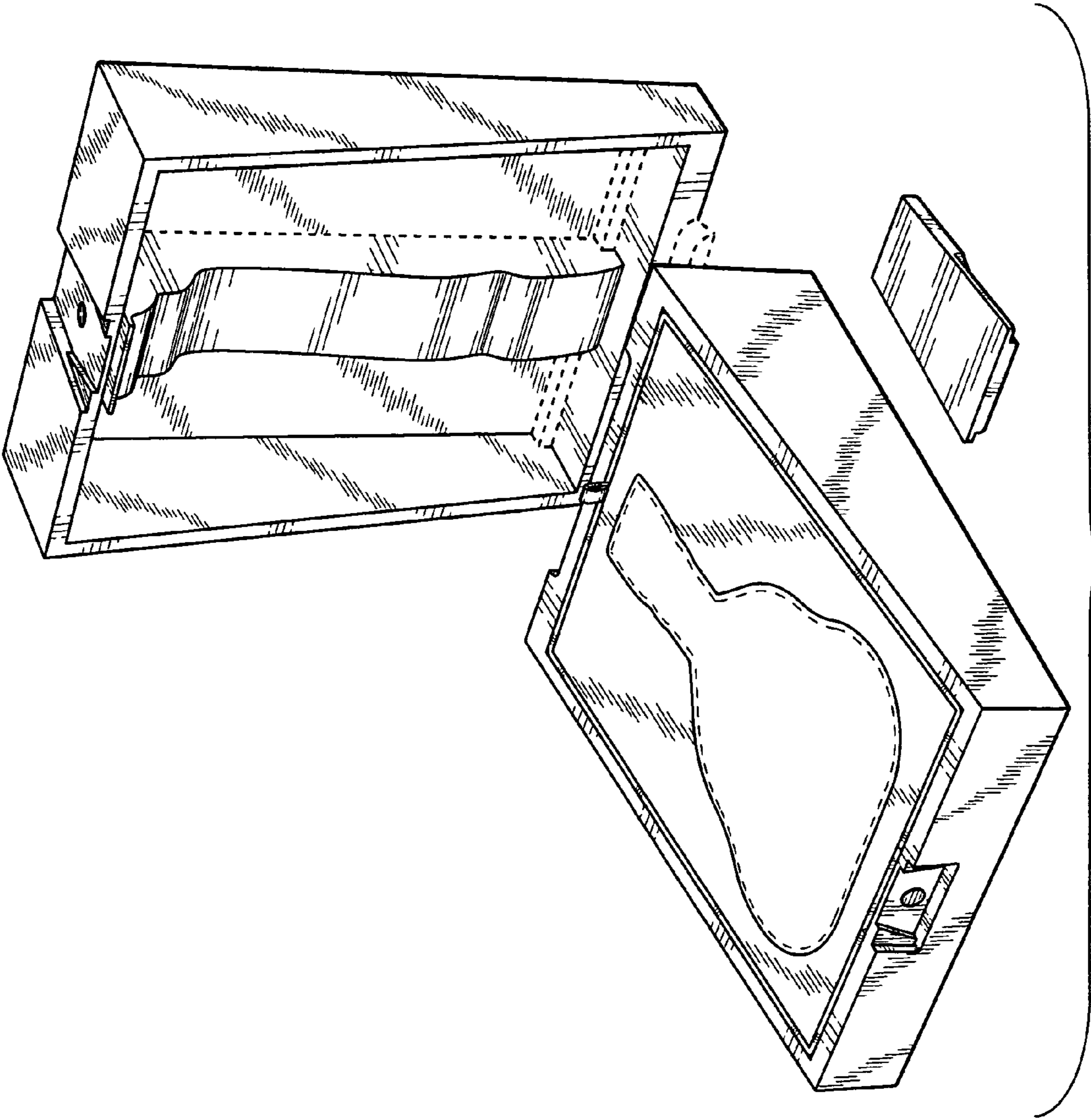


FIG. 6

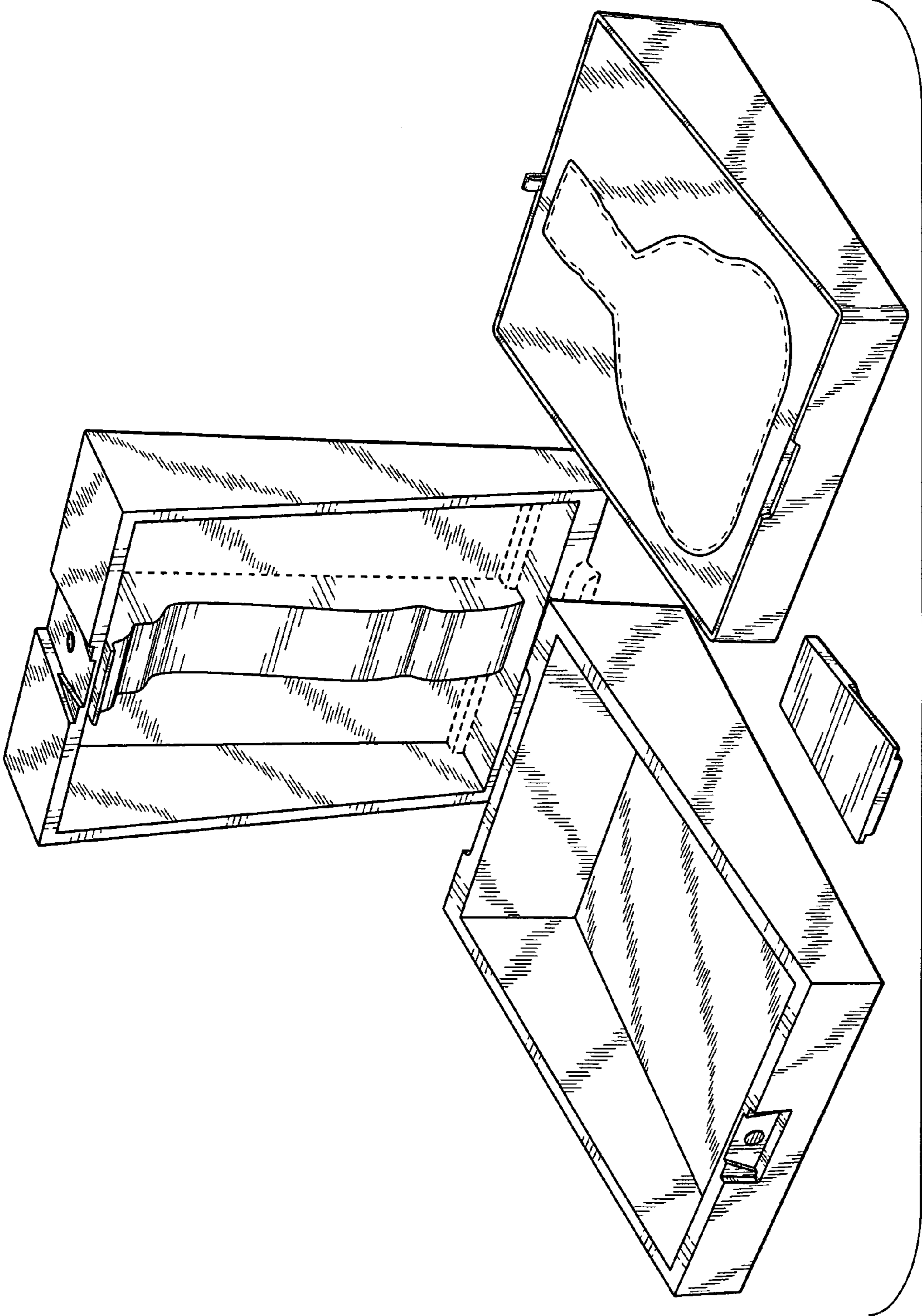


FIG. 7