



US00D613170S

(12) **United States Design Patent**  
**Lewis et al.**

(10) **Patent No.:** **US D613,170 S**  
(45) **Date of Patent:** **\*\* Apr. 6, 2010**

(54) **CONTAINER**

(75) Inventors: **Benton A. Lewis**, Manchester, PA (US);  
**Sheldon E. Yourist**, York, PA (US);  
**April M. Peacock**, York, PA (US); **Sunil S. Shah**, York, PA (US)

(73) Assignee: **Graham Packaging Company, L.P.**,  
York, PA (US)

(\*\*) Term: **14 Years**

(21) Appl. No.: **29/344,859**

(22) Filed: **Oct. 6, 2009**

(51) **LOC (9) Cl.** ..... **09-01**

(52) **U.S. Cl.** ..... **D9/516**

(58) **Field of Classification Search** ..... D9/500,  
D9/502, 516, 519, 530, 537, 538, 539, 540,  
D9/549, 551, 556, 557, 558, 574, 763, 772,  
D9/777; 215/381-385

See application file for complete search history.

(56) **References Cited**

**U.S. PATENT DOCUMENTS**

D166,731 S *	5/1952	Blunt	.....	D9/538
D219,262 S *	11/1970	Lambelet	.....	D9/500
D419,058 S *	1/2000	Roth et al.	.....	D9/668
D455,351 S *	4/2002	Bailey	.....	D9/502
D466,021 S *	11/2002	Thierjung et al.	.....	D9/538
D485,765 S *	1/2004	Thierjung et al.	.....	D9/538
D494,475 S *	8/2004	Thierjung et al.	.....	D9/538
D501,404 S *	2/2005	Dalton et al.	.....	D9/500
D502,100 S *	2/2005	Vanderwiel et al.	.....	D9/500
D510,025 S *	9/2005	Venkataraman et al.	.....	D9/516
D512,312 S *	12/2005	Bretz et al.	.....	D9/500

D513,591 S *	1/2006	Ducret	.....	D9/504
D535,884 S *	1/2007	Davis et al.	.....	D9/538
D538,661 S *	3/2007	Wolf et al.	.....	D9/516
D547,664 S *	7/2007	Davis et al.	.....	D9/538
D571,214 S *	6/2008	Caszatt	.....	D9/516
D580,763 S *	11/2008	Perez	.....	D9/500
D588,917 S *	3/2009	Shmagin	.....	D9/516
D592,969 S *	5/2009	Hazelton et al.	.....	D9/601
D595,143 S *	6/2009	Hazelton et al.	.....	D9/551
D600,122 S *	9/2009	Strasser et al.	.....	D9/516

\* cited by examiner

*Primary Examiner*—Stella M Reid

*Assistant Examiner*—Elizabeth J Oswecki

(74) *Attorney, Agent, or Firm*—Knoble Yoshida & Dunleavy, LLC

(57) **CLAIM**

The ornamental design for a dome of a container, as shown and described.

**DESCRIPTION**

FIG. 1 is a perspective view of a dome of a container showing our new design;

FIG. 2 is a front elevational view;

FIG. 3 is a rear elevational view;

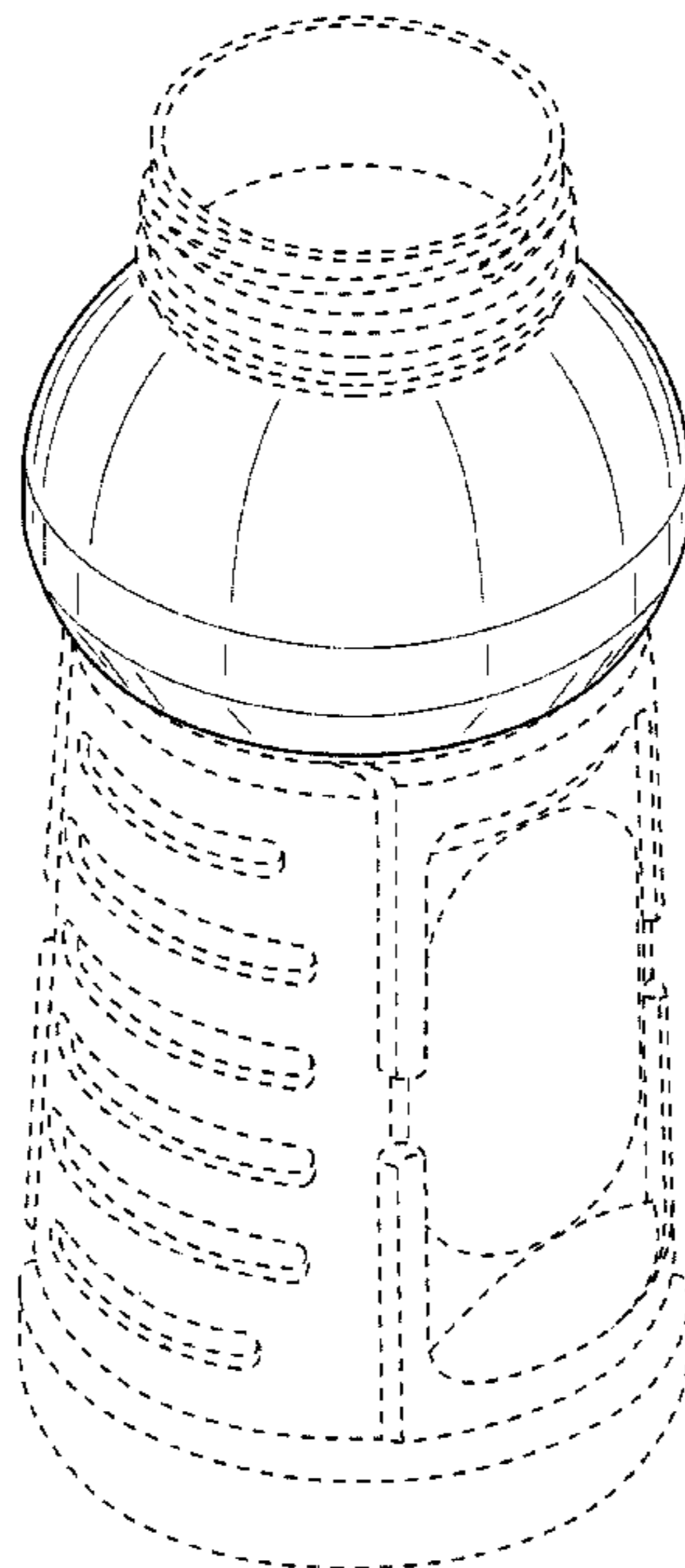
FIG. 4 is a first side elevational view, with a second side elevational view being a mirror image thereof;

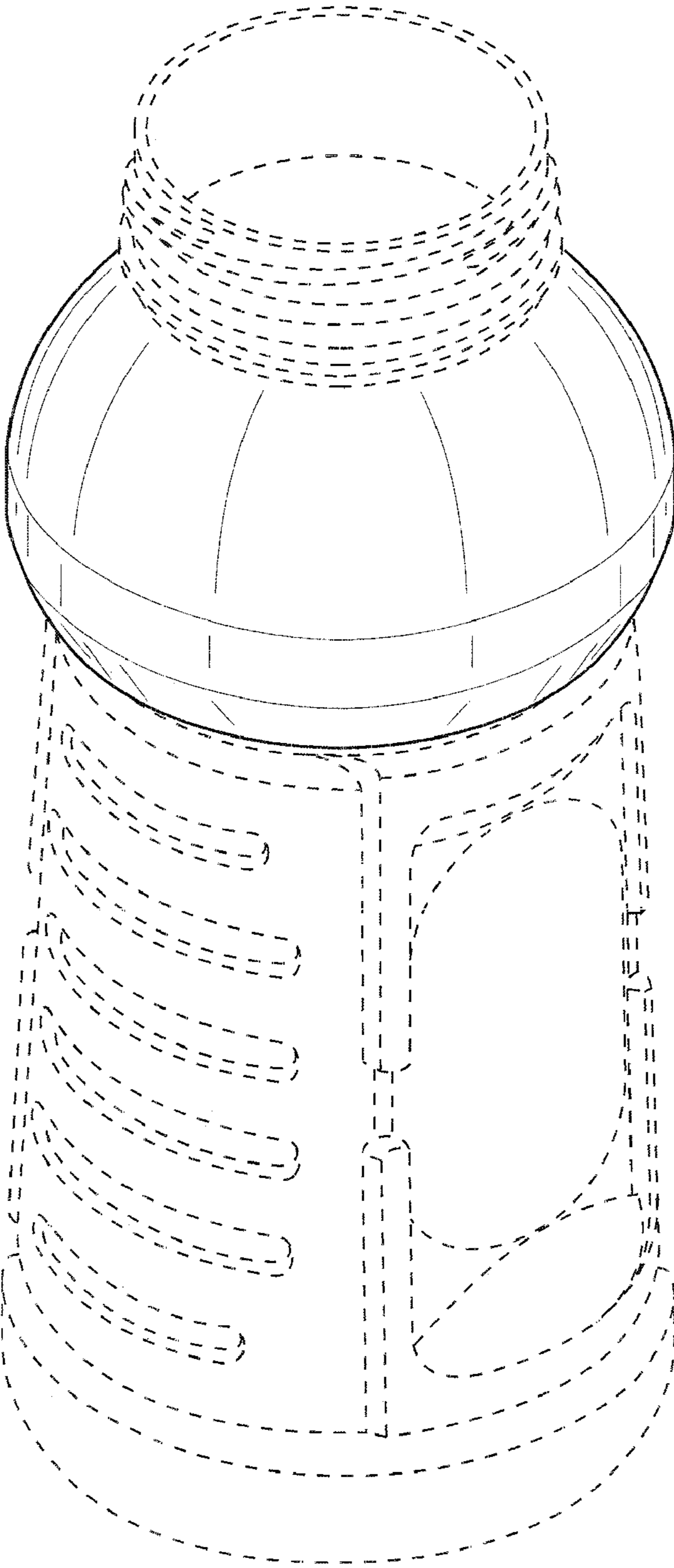
FIG. 5 is a top plan view; and,

FIG. 6 is a bottom plan view.

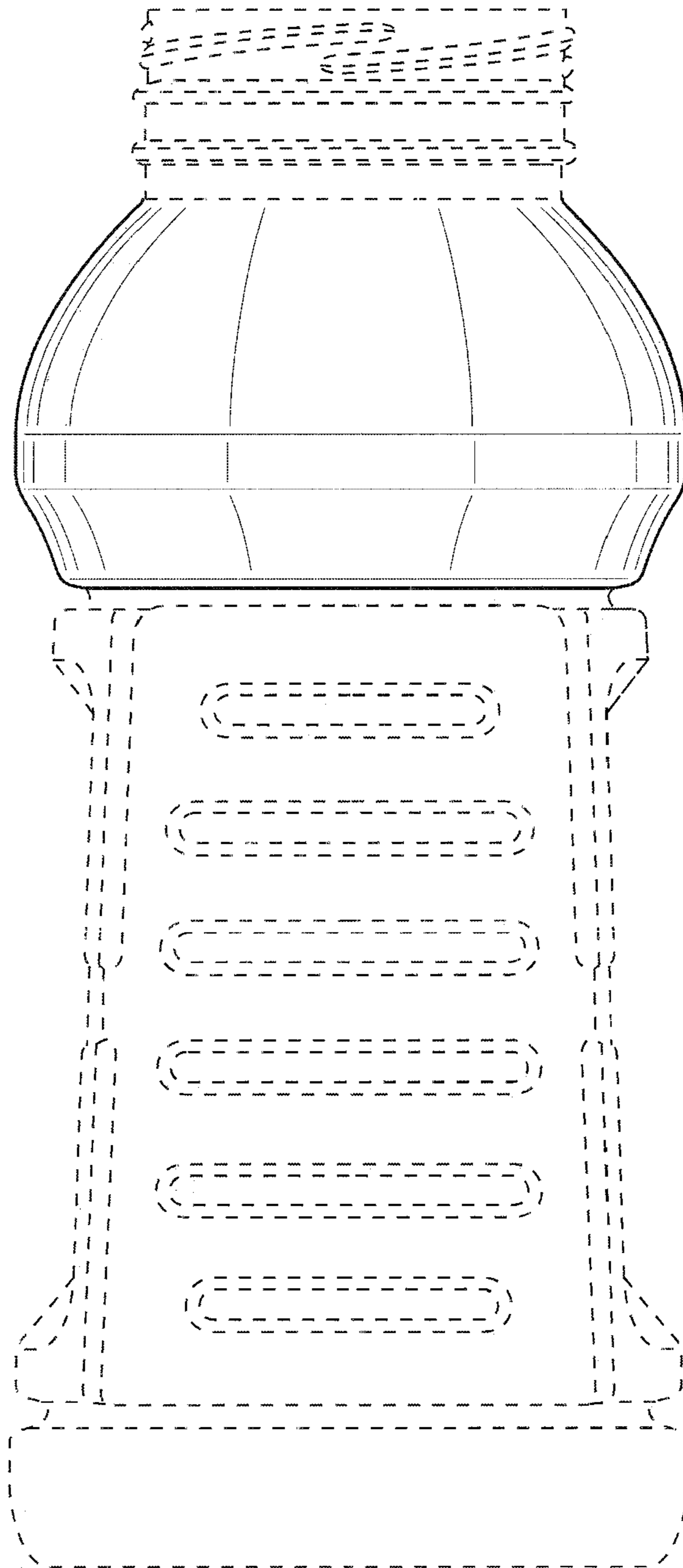
The broken line showing of a pour spout and lower portion of a container is included for the purpose of illustrating only and forms no part of the claimed design.

**1 Claim, 5 Drawing Sheets**

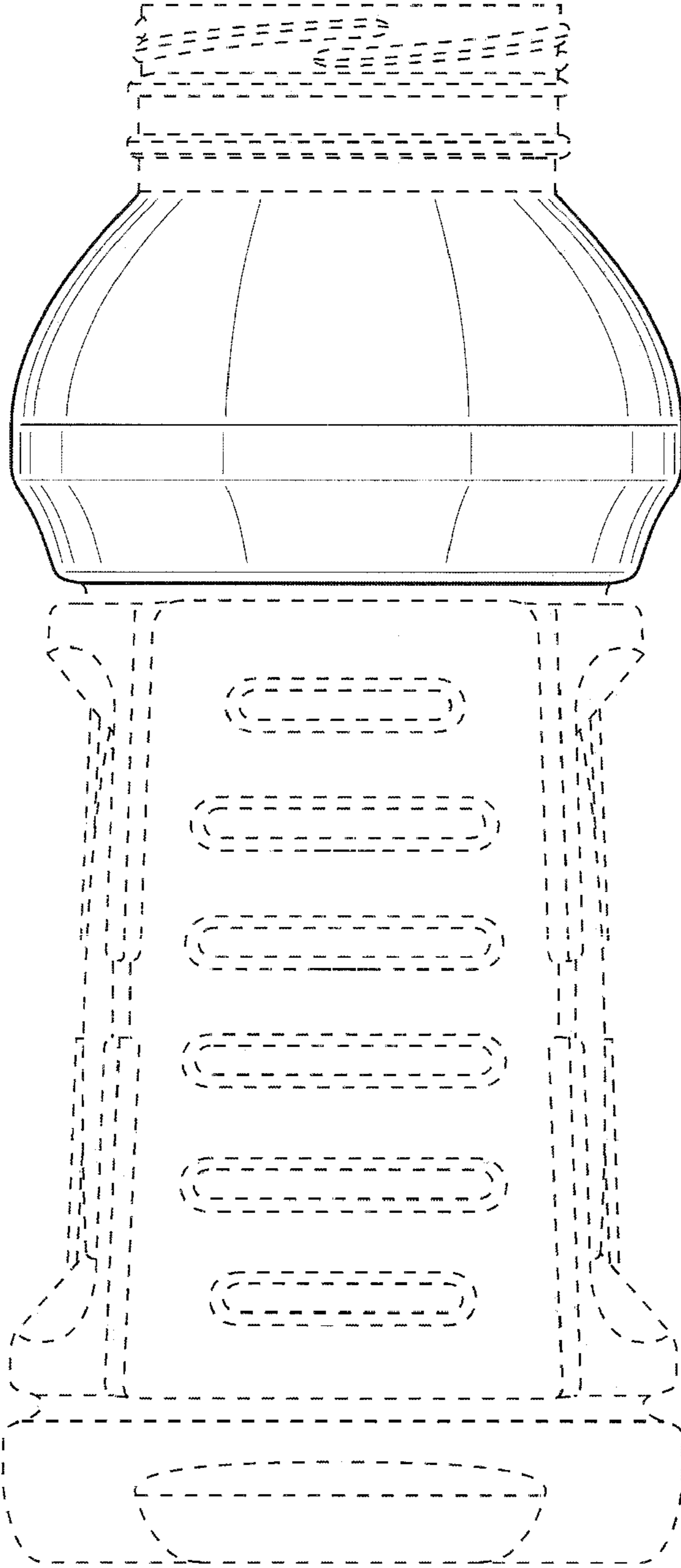




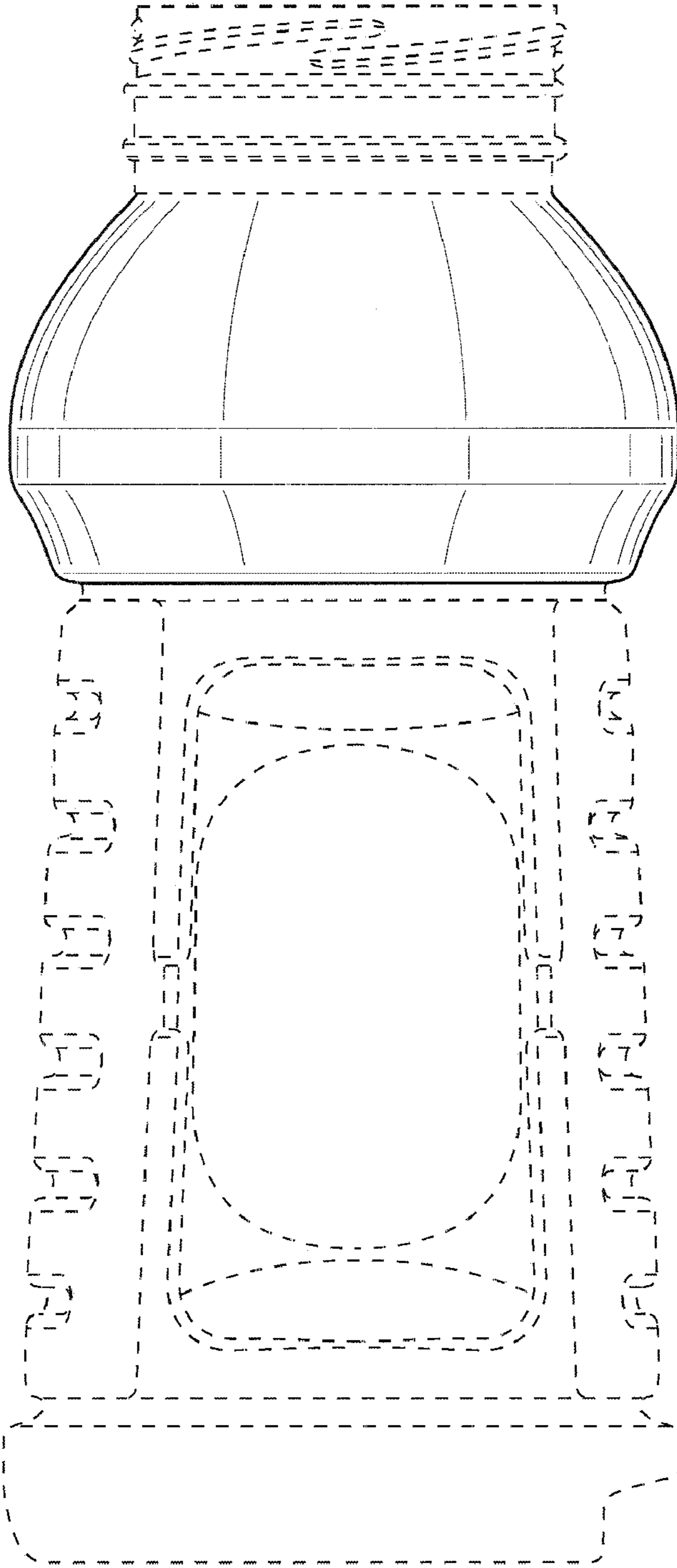
**FIG. 1**



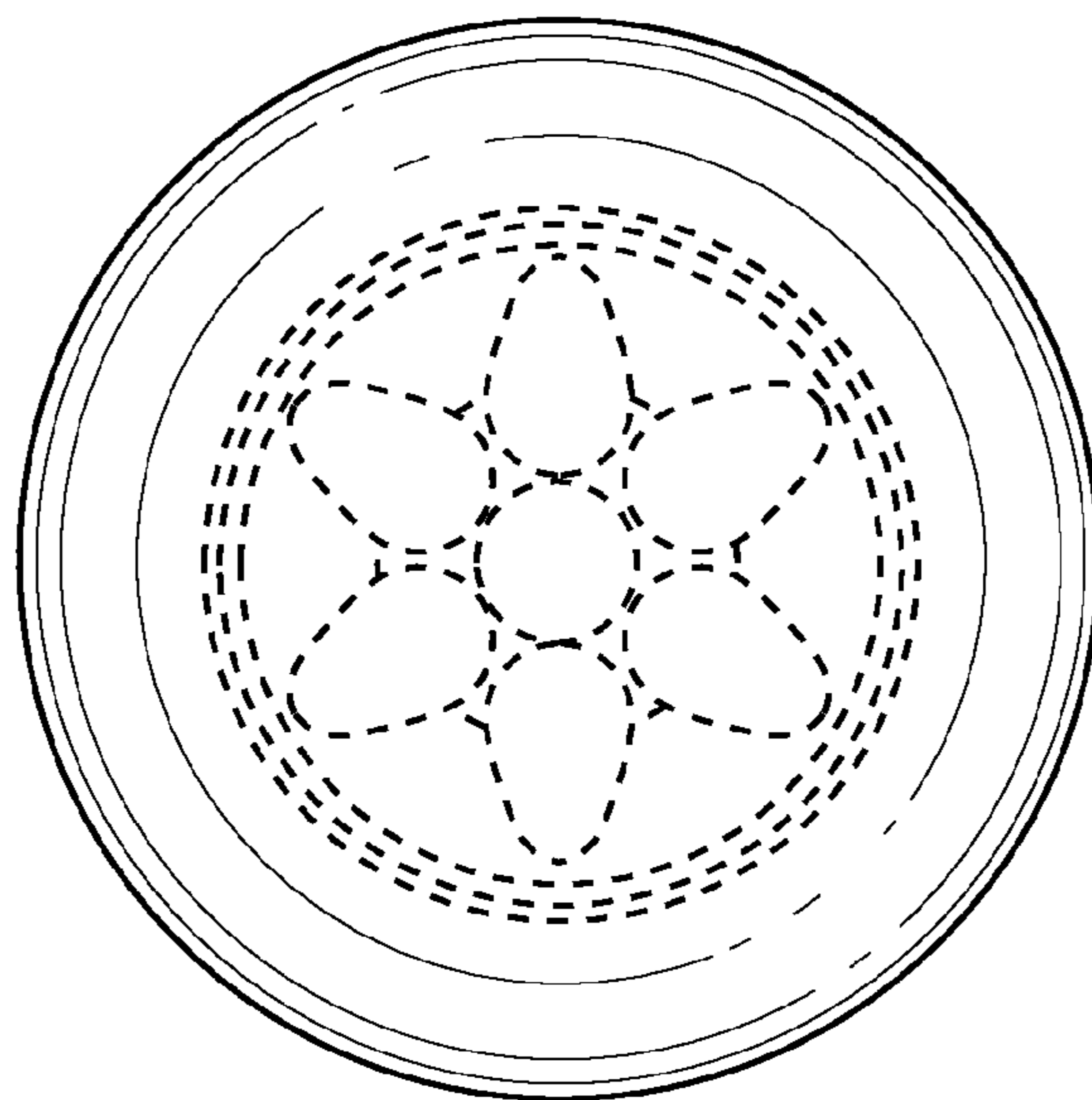
**FIG. 2**



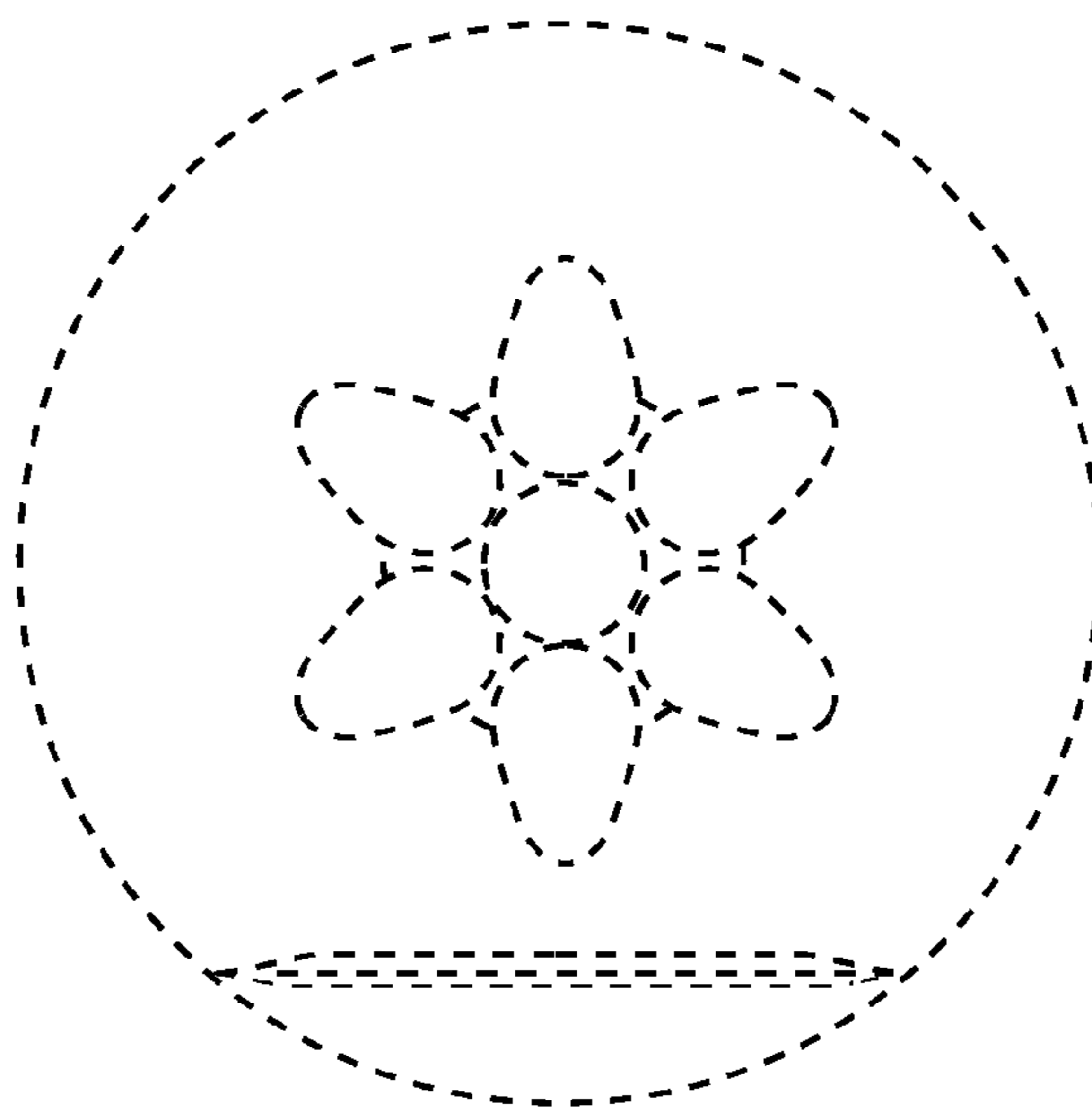
**FIG. 3**



**FIG. 4**



**FIG. 5**



**FIG. 6**