



US00D613169S

(12) **United States Design Patent**
Lee et al.

(10) **Patent No.:** **US D613,169 S**
(45) **Date of Patent:** **** Apr. 6, 2010**

(54) **CONTAINER**

(75) Inventors: **Stuart Harvey Lee**, Forest Hills, NY (US); **Jochen Rainer Schaeppers**, New York, NY (US); **Vincent Michael Masotta**, Ridgefield, CT (US); **Gareth Frederick Jones**, Wirral (GB); **Keith Jon Colacioppo**, White Plains, NY (US)

(73) Assignee: **The Sun Products Corporation**, Wilton, CT (US)

(**) Term: **14 Years**

(21) Appl. No.: **29/323,430**

(22) Filed: **Aug. 26, 2008**

(51) **LOC (9) Cl.** **09-01**

(52) **U.S. Cl.** **D9/516; D9/524**

(58) **Field of Classification Search** D9/516,
D9/522, 523, 524, 527, 528, 529, 530, 531,
D9/549, 551, 564, 575; D23/211, 211.1;
215/381-385, 396, 398

See application file for complete search history.

(56) **References Cited**

U.S. PATENT DOCUMENTS

D189,768 S *	2/1961	Menghi	D23/211.1
D284,641 S	7/1986	Jones		
D302,521 S	8/1989	Grinde		
D302,658 S	8/1989	Grinde		
D304,423 S *	11/1989	Beaver	D9/528
D380,684 S *	7/1997	Del Bianco	D9/543
D432,016 S *	10/2000	Beaver	D9/528
D454,069 S *	3/2002	Guislain	D9/528
D470,054 S	2/2003	Gerhart et al.		
D470,416 S *	2/2003	Blair et al.	D9/523
D475,297 S	6/2003	Drabek et al.		
D481,953 S *	11/2003	Perrin	D9/530
D486,066 S *	2/2004	Hannen et al.	D9/523
D515,931 S	2/2006	Lintermans et al.		

D527,639 S	9/2006	Voss et al.		
D529,809 S *	10/2006	Yourist et al.	D9/528
D536,982 S *	2/2007	Conway	D9/523
D543,854 S *	6/2007	Conway	D9/523
D549,580 S *	8/2007	Bates et al.	D9/528
D550,090 S *	9/2007	Meeker et al.	D13/173
D550,560 S *	9/2007	Bates et al.	D9/528
D555,482 S *	11/2007	Bates et al.	D9/528

OTHER PUBLICATIONS

Notice of Allowance and Fee(s) Due, U.S. Appl. No. 29/323,433, filed Aug. 26, 2008, Inventors: Lee et al. Date mailed: Jan. 9, 2009, 7 pgs.

U.S. Appl. No. 29/323,433, Lee et al., Container, filed Aug. 26, 2008.

* cited by examiner

Primary Examiner—Stella M Reid

Assistant Examiner—Elizabeth J Oswecki

(74) *Attorney, Agent, or Firm*—Sterne, Kessler, Goldstein & Fox P.L.L.C.

(57) **CLAIM**

The ornamental design for a container, as shown and described.

DESCRIPTION

FIG. 1 is a perspective view of a container showing the new design;

FIG. 2 is a left side elevational view thereof;

FIG. 3 is a right side elevational view thereof;

FIG. 4 is a rear elevational view thereof;

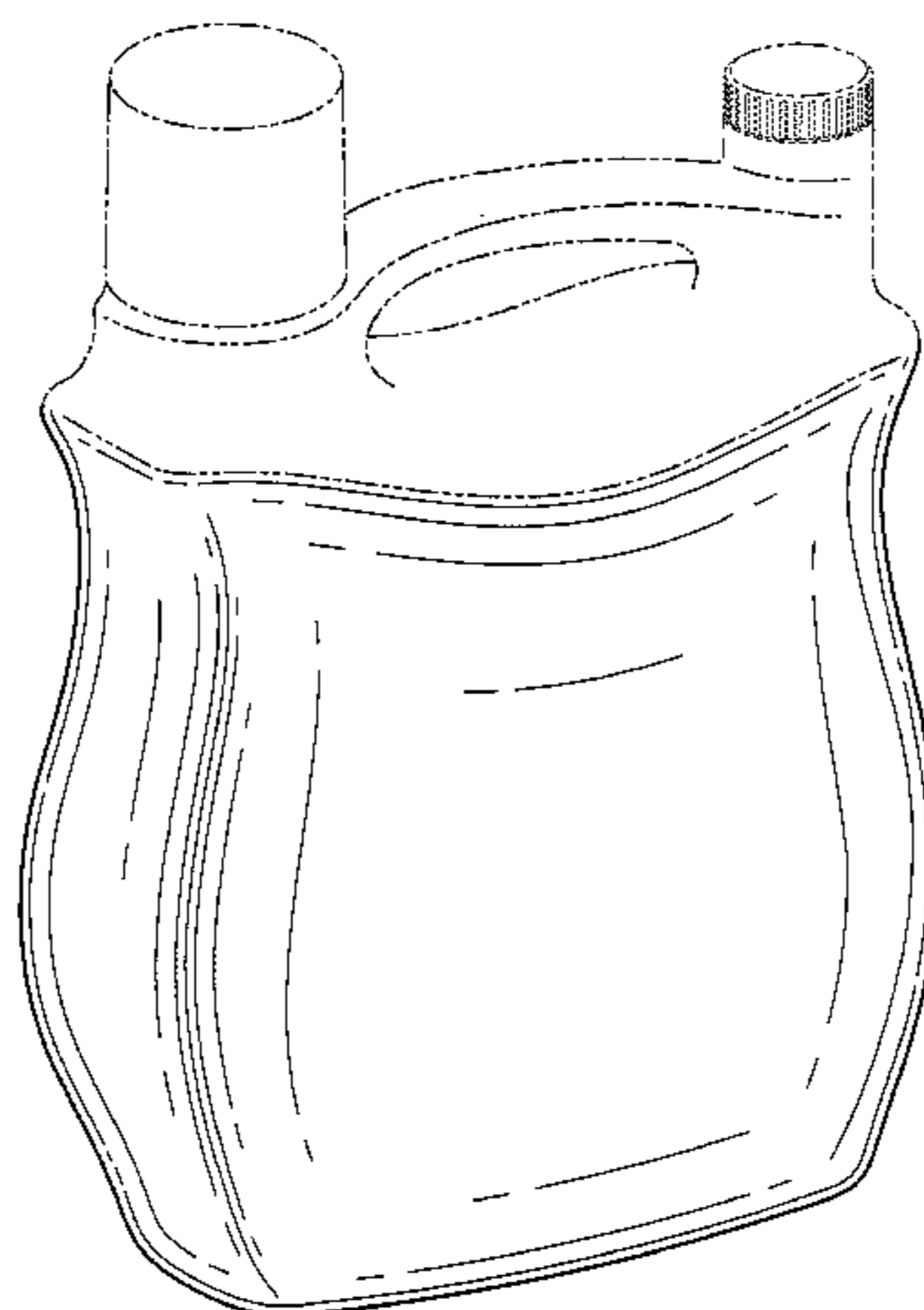
FIG. 5 is a front elevational view thereof;

FIG. 6 is a top plan view thereof; and,

FIG. 7 is a bottom plan view thereof.

The broken line showing of the top portion of a container is included for the purpose of illustrating portions of the container which form no part of the claimed design.

1 Claim, 7 Drawing Sheets



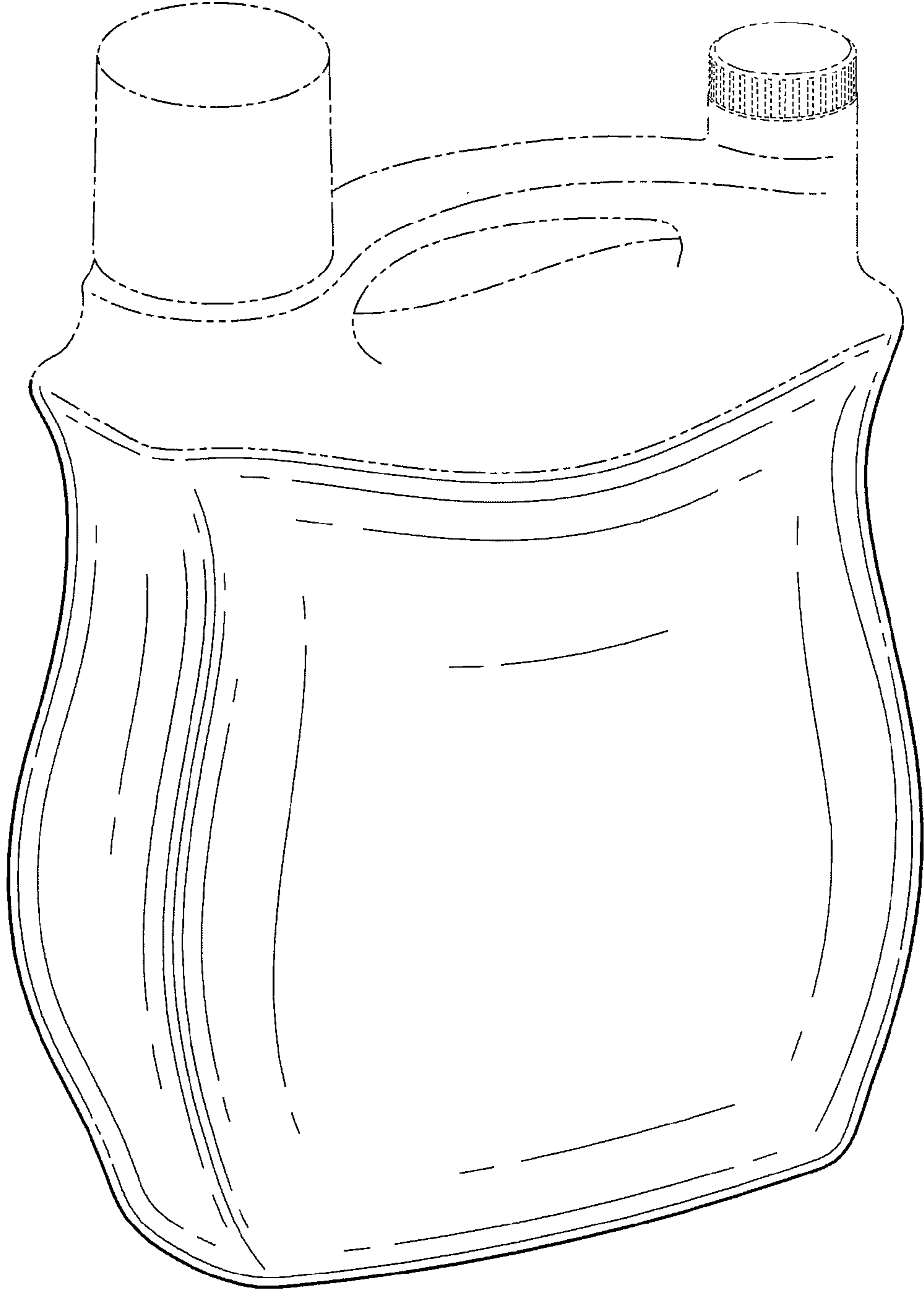


FIG. 1

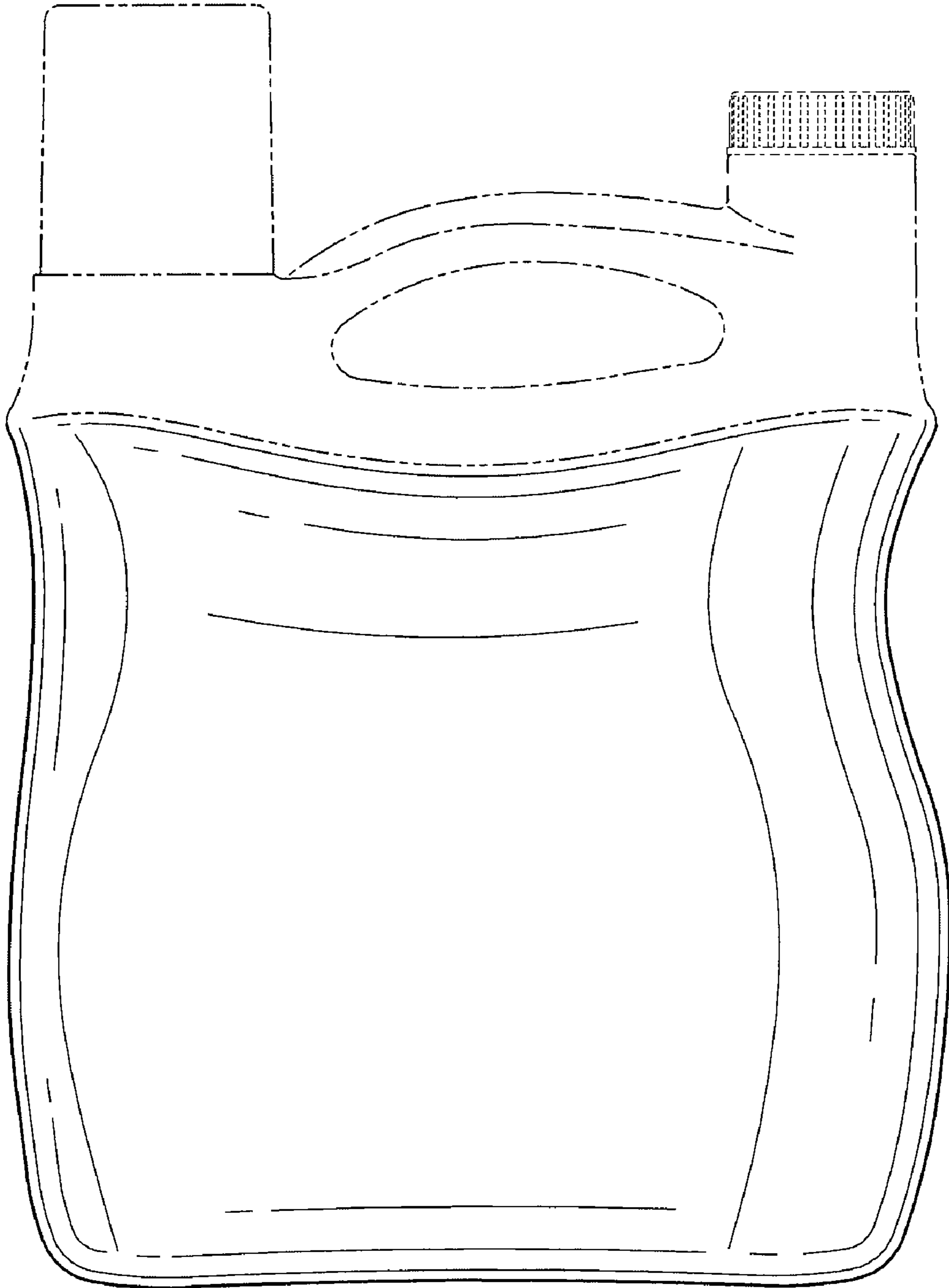


FIG. 2

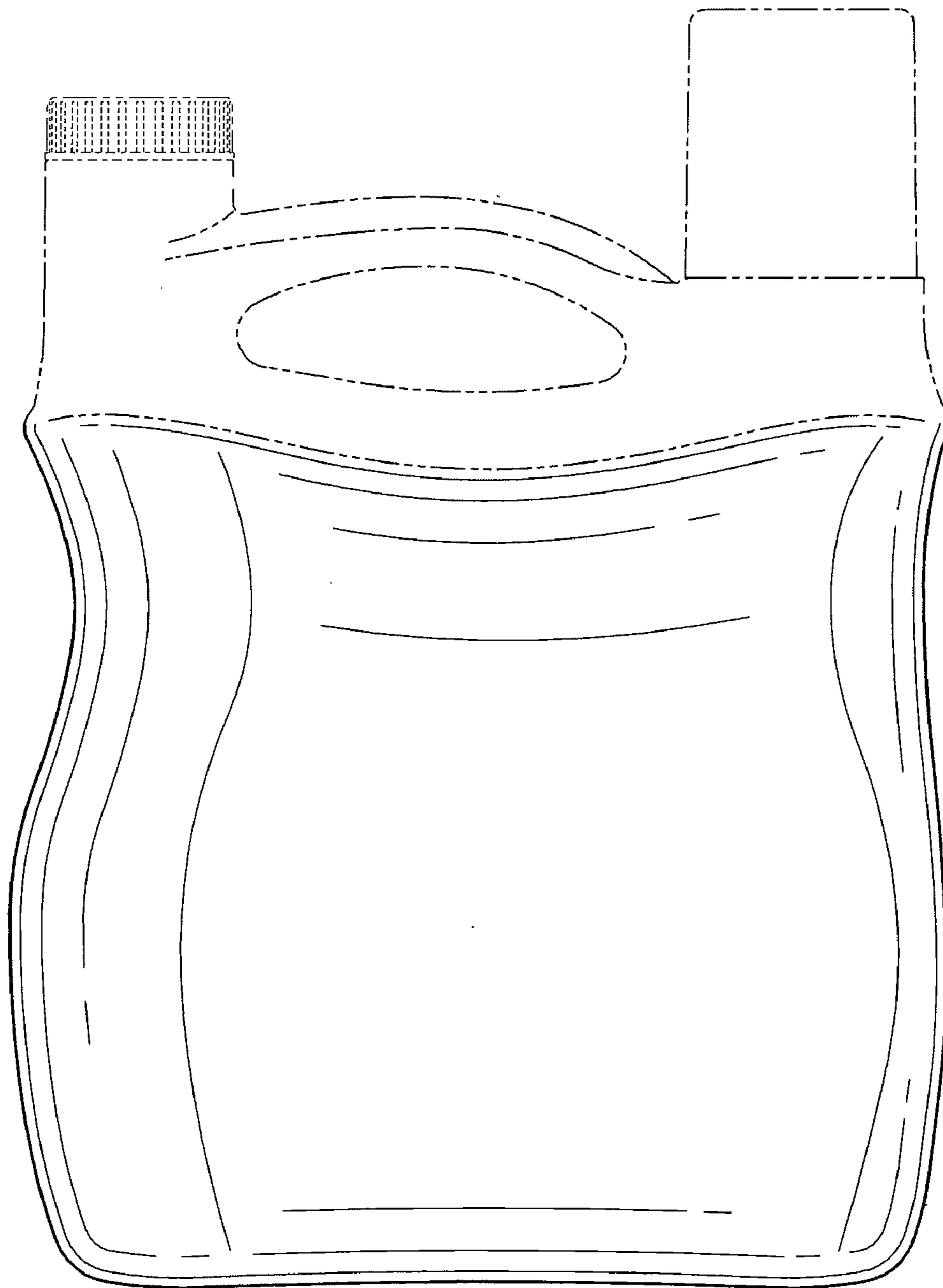


FIG. 3

FIG. 4

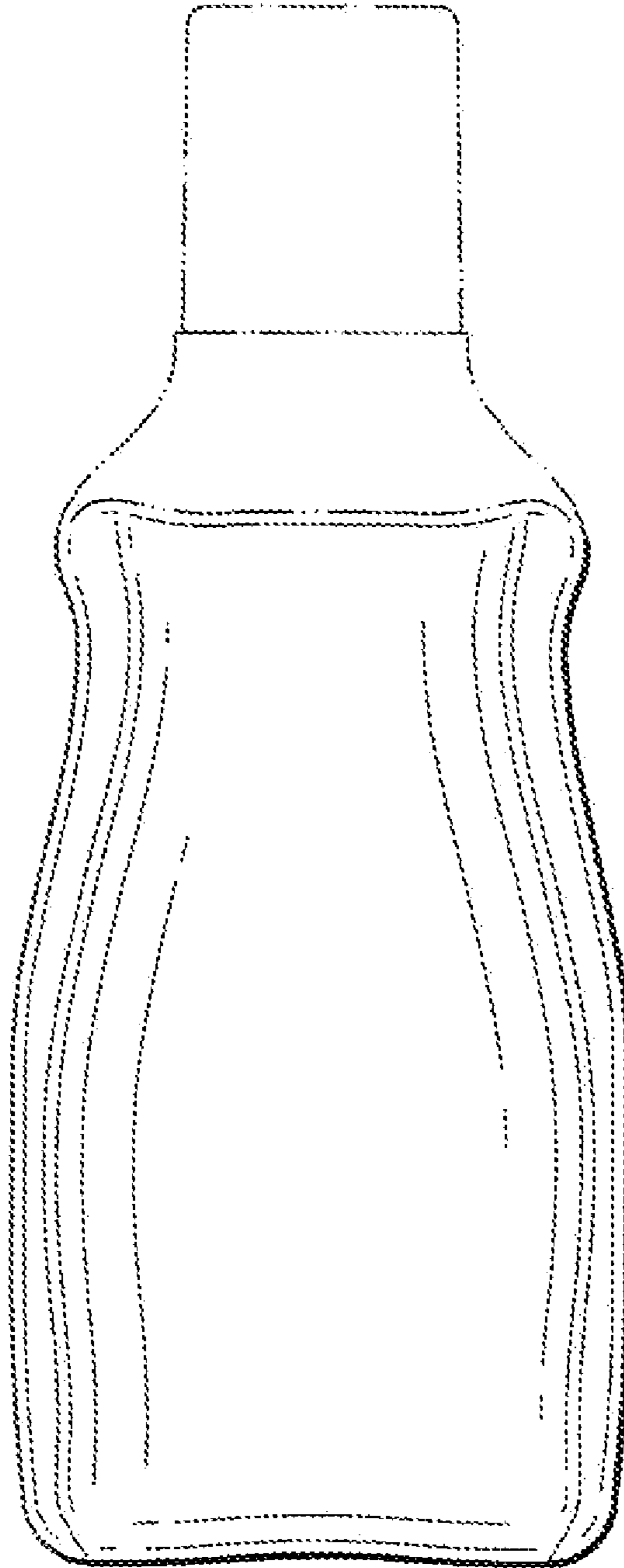


FIG. 5

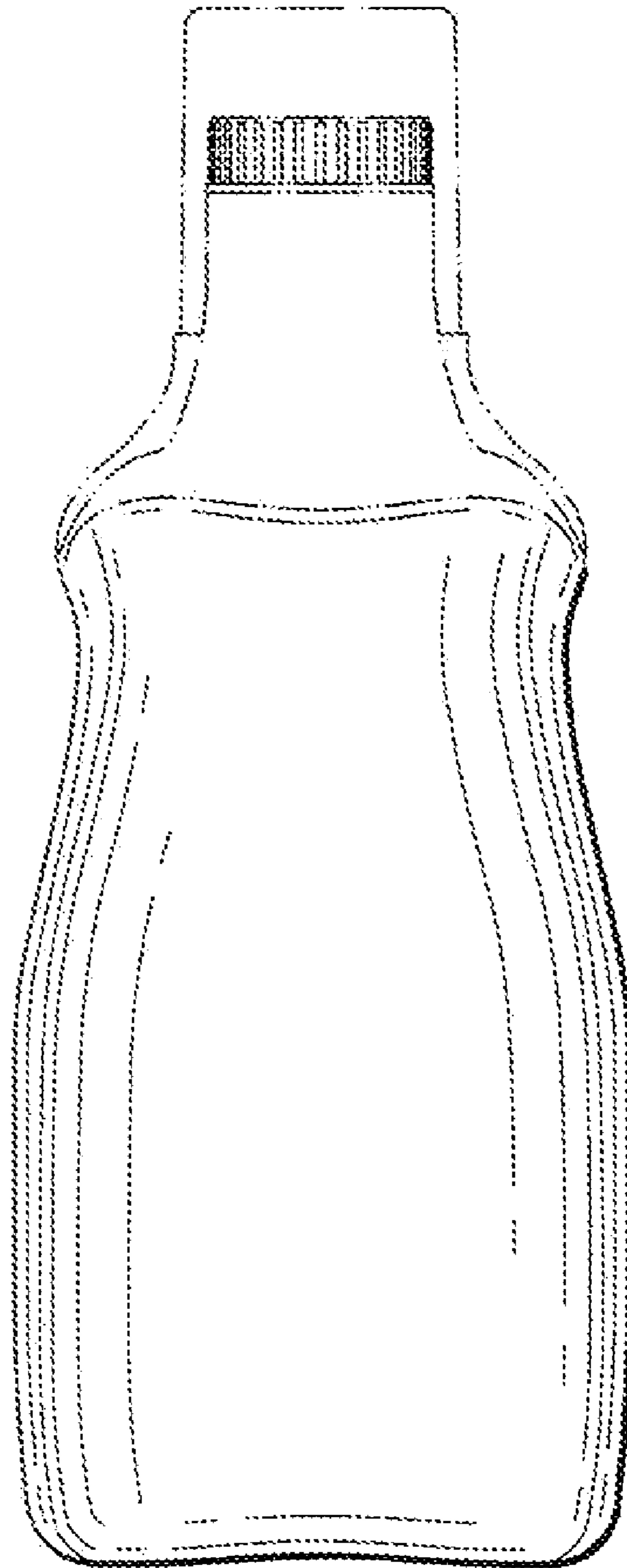


FIG. 6

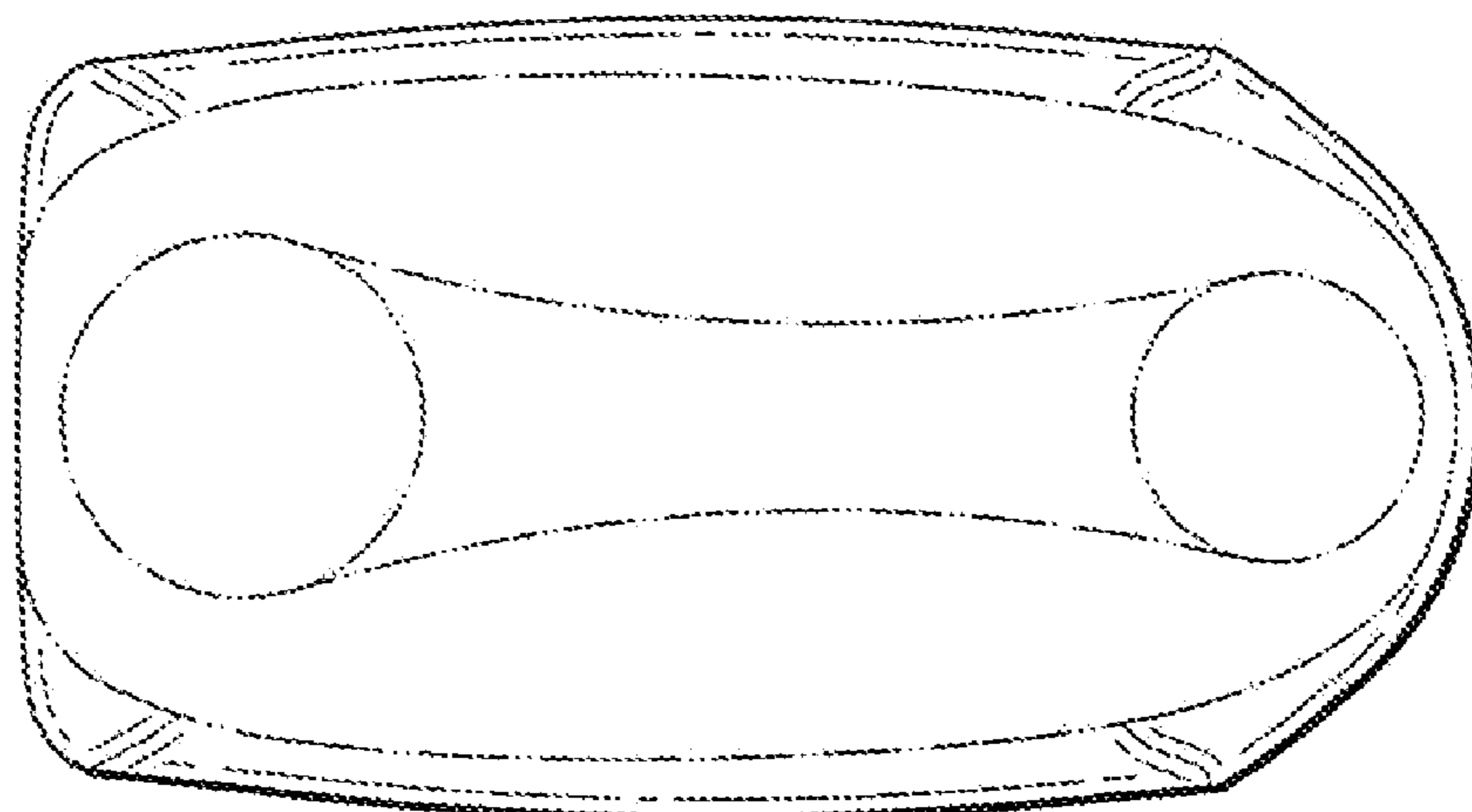
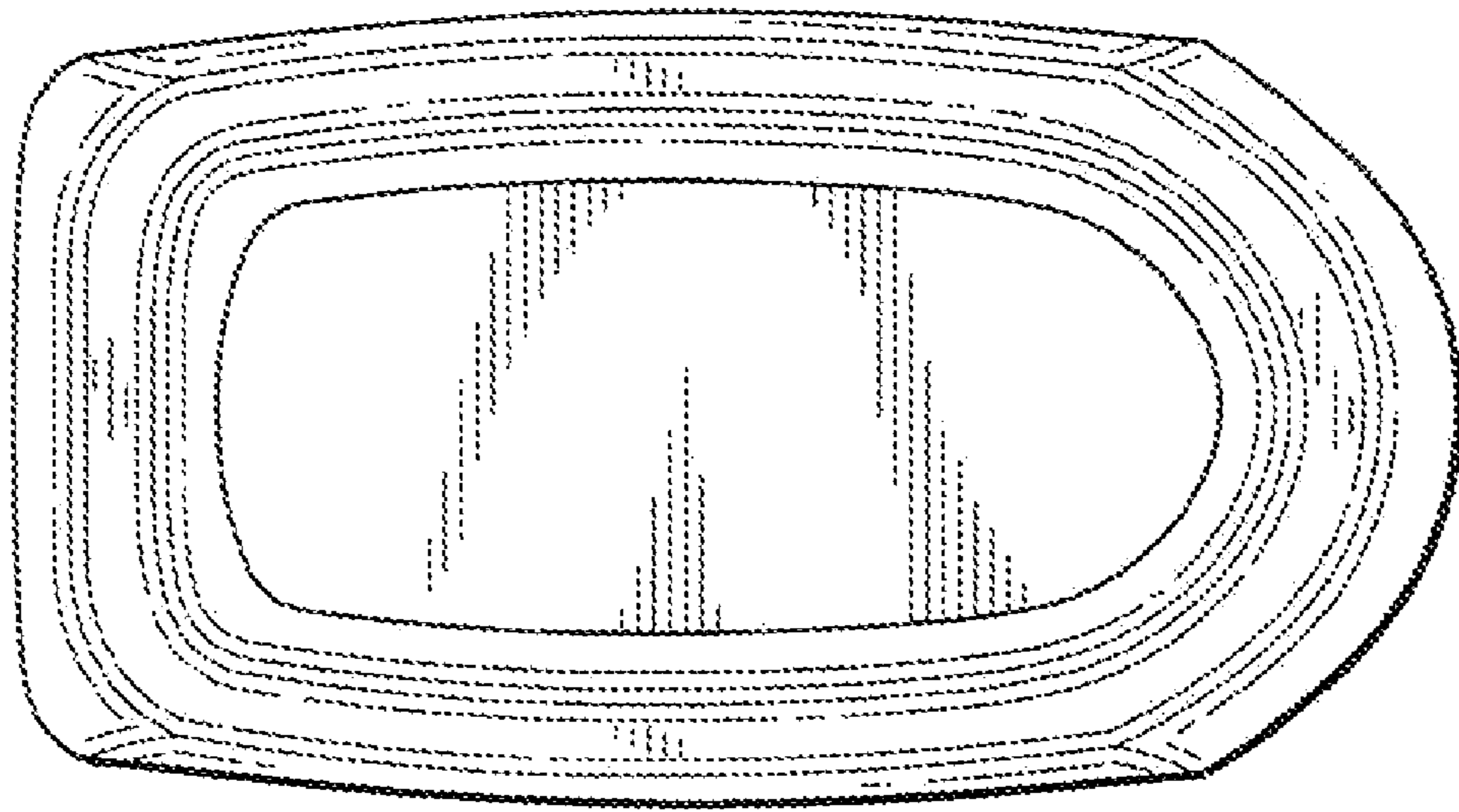


FIG. 7



UNITED STATES PATENT AND TRADEMARK OFFICE
CERTIFICATE OF CORRECTION

PATENT NO. : Des. 613,169 S
APPLICATION NO. : 29/323430
DATED : April 6, 2010
INVENTOR(S) : Lee et al.

Page 1 of 2

It is certified that error appears in the above-identified patent and that said Letters Patent is hereby corrected as shown below:

Replace Figure 5 in the issued patent with the attached Replacement Figure 5.

Signed and Sealed this

Twenty-second Day of June, 2010

A handwritten signature in black ink that reads "David J. Kappos". The signature is written in a cursive style with a large initial 'D' and a stylized 'K'.

David J. Kappos
Director of the United States Patent and Trademark Office

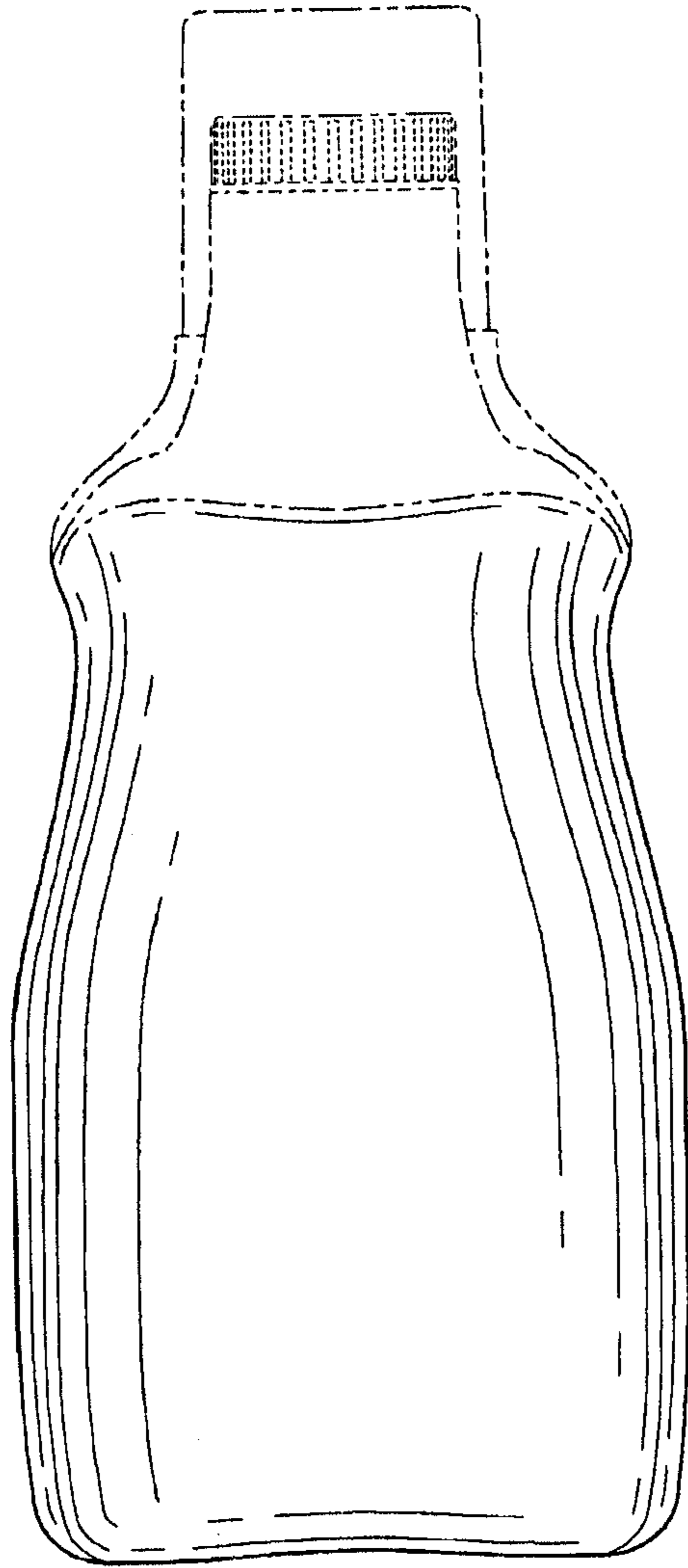


FIG. 5