



US00D613163S

(12) **United States Design Patent**
Caillabet

(10) **Patent No.:** **US D613,163 S**

(45) **Date of Patent:** **** Apr. 6, 2010**

(54) **BOTTLE TOP**

(76) **Inventor:** **Sebastien Caillabet**, 1032 Tom Sawyer Rd., Dripping Springs, TX (US) 78620

(**) **Term:** **14 Years**

(21) **Appl. No.:** **29/335,781**

(22) **Filed:** **Apr. 21, 2009**

(51) **LOC (9) Cl.** **09-07**

(52) **U.S. Cl.** **D9/454**

(58) **Field of Classification Search** D9/668,
D9/651, 635, 632, 623, 621, 614, 600, 549,
D9/545, 505, 504, 503, 500, 457, 454, 453,
D9/452, 451, 445, 444, 443, 441, 439, 435,
D9/434, 433, 430, 414; D8/307; D21/713;
215/356, 355, 329, 316, 296, 246, 230, 228
See application file for complete search history.

(56) **References Cited**

U.S. PATENT DOCUMENTS

2,119,901	A *	6/1938	Beitler	215/246
D209,482	S *	12/1967	Noyes	D9/503
D210,573	S *	3/1968	Inga	D9/504
5,465,857	A	11/1995	Yang		
6,230,944	B1	5/2001	Castellano		
6,619,492	B2	9/2003	Battegazzore		
D526,197	S *	8/2006	Lauret	D9/505
D572,136	S *	7/2008	Boni	D9/503
D584,161	S *	1/2009	Barker	D9/668
D597,840	S *	8/2009	Biesecker et al.	D9/454

2005/0218015 A1 10/2005 Spector
2008/0217283 A1 9/2008 Conforti
2008/0272147 A1 11/2008 Buker

FOREIGN PATENT DOCUMENTS

WO WO2001023265 A1 4/2001

OTHER PUBLICATIONS

Pour Spout Dust Caps Liquor Bottle Boots: http://cgi.ebay.com/12-Bartending-Pour-Spout-DUST-CAPS-Liquor-BOTTLE-BOOTS_W0QQitemZ290310037035QQcmdZViewItem.

* cited by examiner

Primary Examiner—Susan Bennett Hattan

(74) *Attorney, Agent, or Firm*—Stacy H. Combs

(57) **CLAIM**

The ornamental design for a bottle top, as shown and described.

DESCRIPTION

FIG. 1 is a perspective view of a bottle top of the present invention;

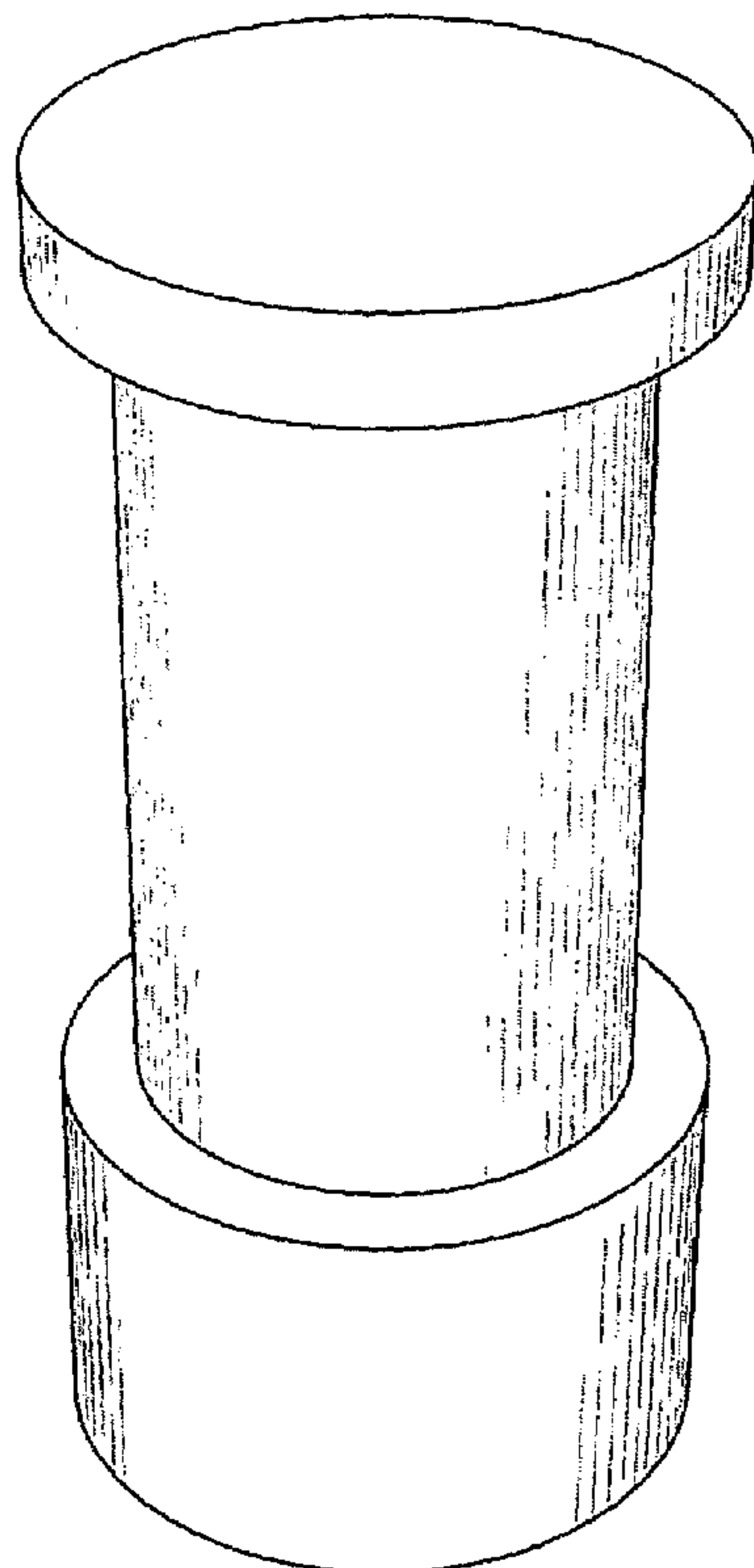
FIG. 2 is a side elevational view thereof, the opposite side being a mirror image of FIG. 1;

FIG. 3 is a top perspective view of FIG. 1; and,

FIG. 4 is a bottom perspective view of FIG. 1.

The broken lines shown in the drawings depict environmental subject matter only and form no part of the claimed design.

1 Claim, 4 Drawing Sheets



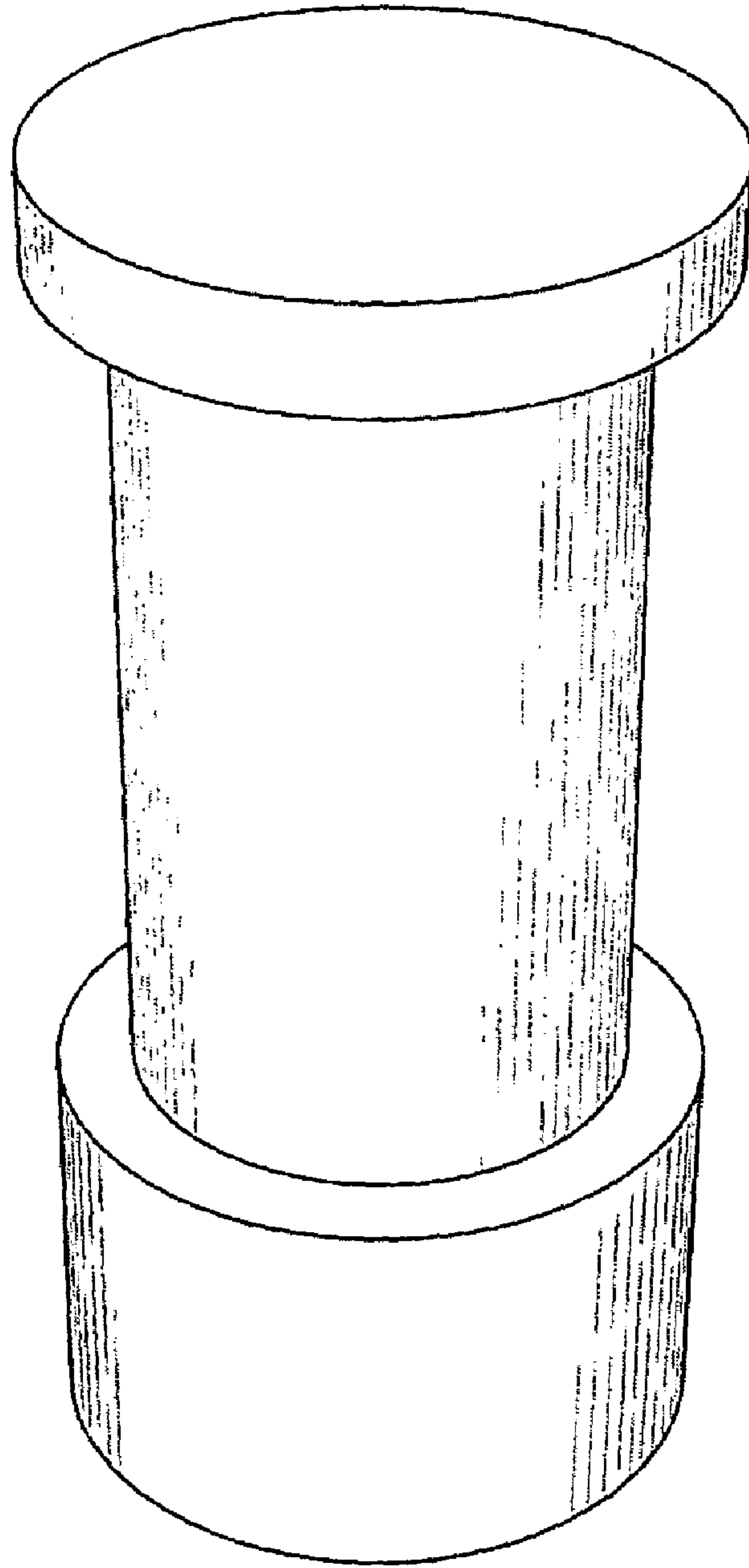


Figure 1

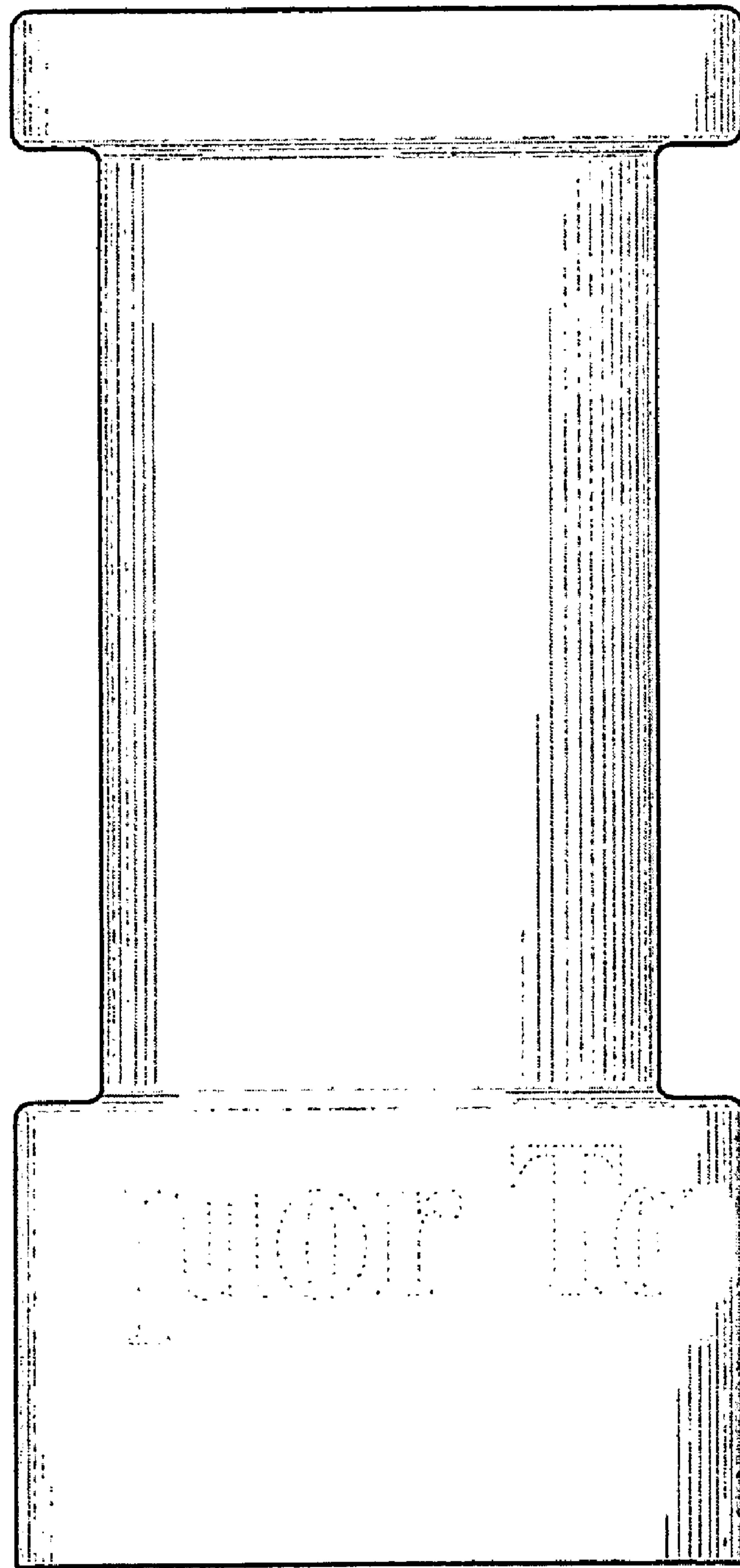


Figure 2

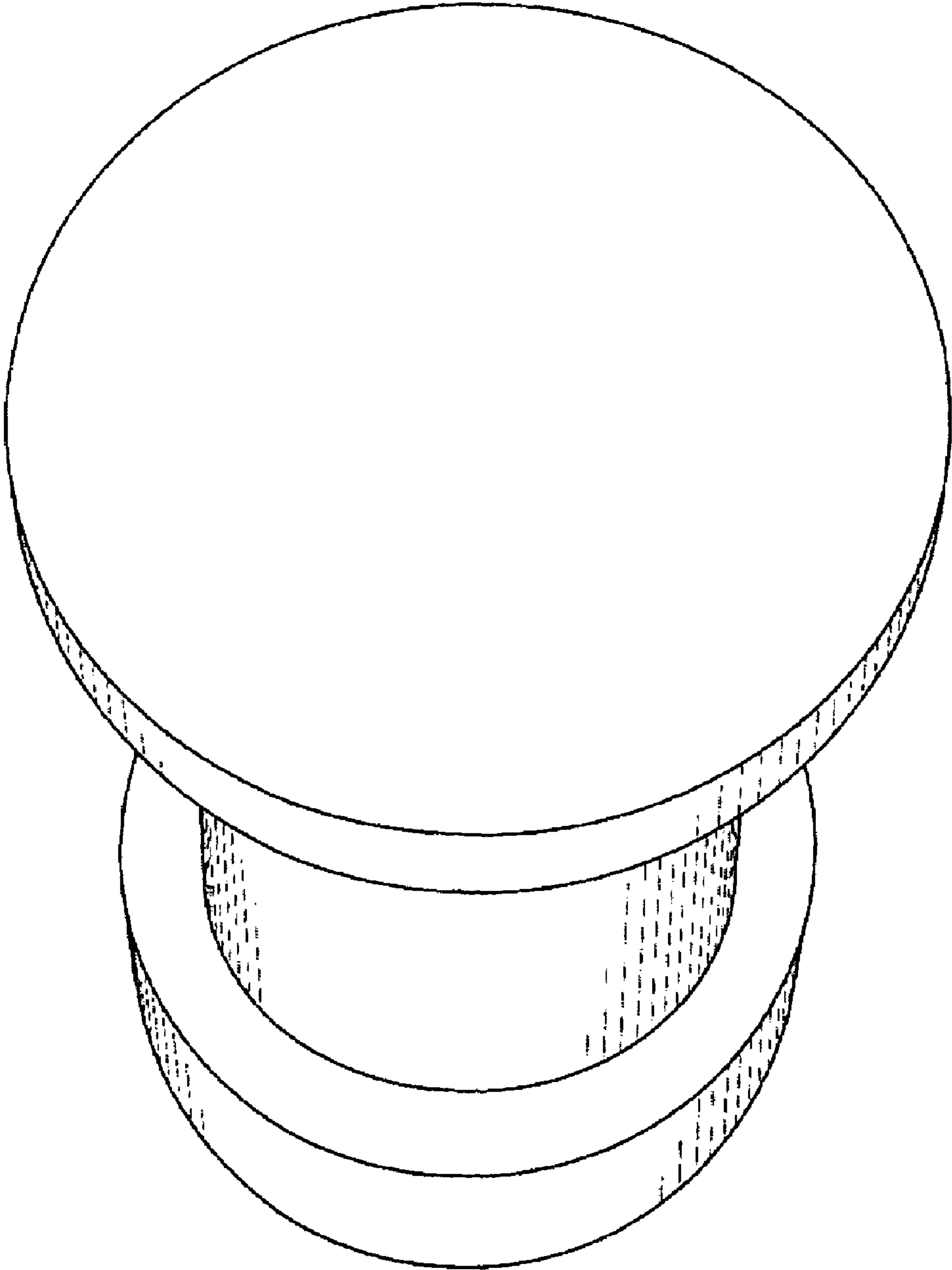


Figure 3

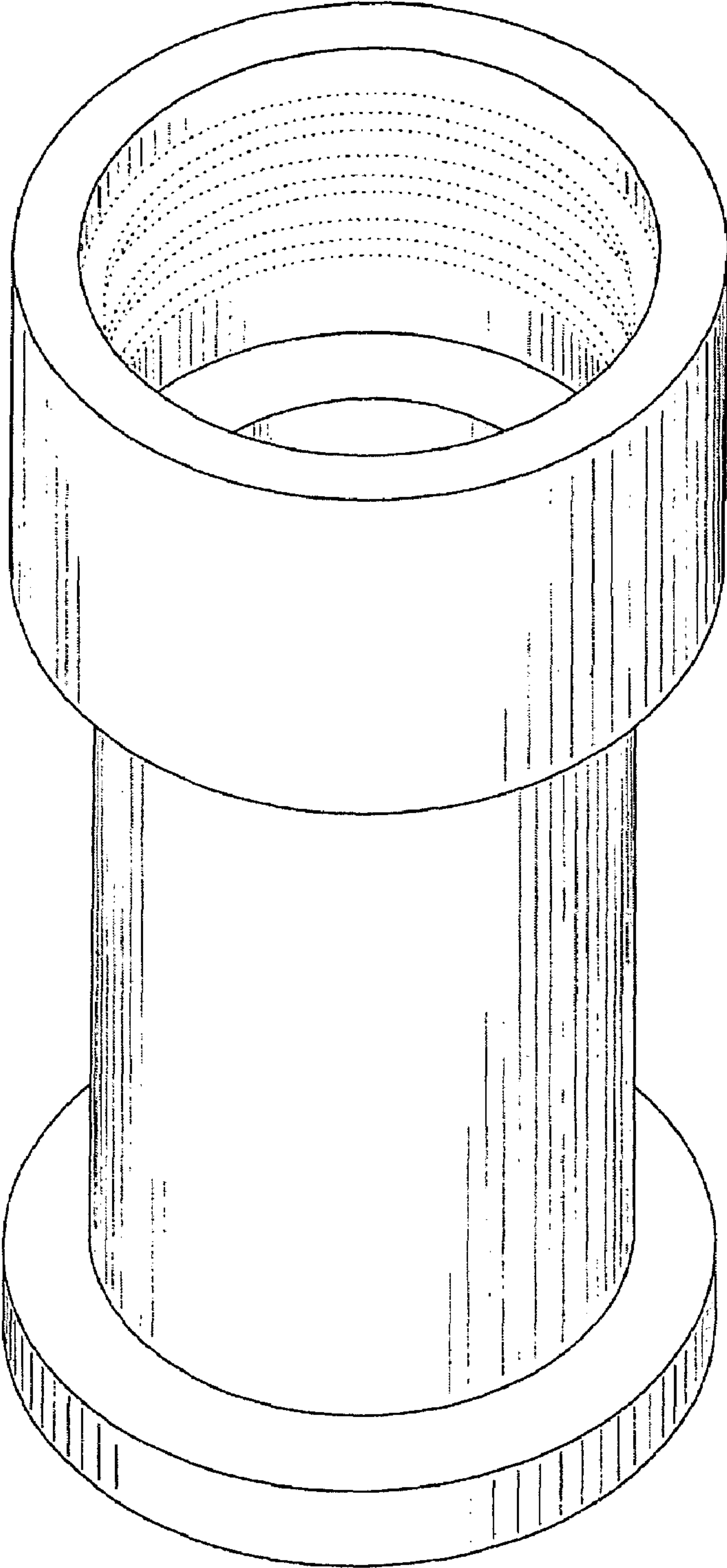


Figure 4