



US00D613162S

(12) **United States Design Patent**  
**Druitt**

(10) **Patent No.:** **US D613,162 S**

(45) **Date of Patent:** **\*\* Apr. 6, 2010**

(54) **CLOSURE**

(75) Inventor: **Rodney M. Druitt**, Cheltenham (GB)

(73) Assignee: **Creanova Universal Closures Ltd.**,  
Tewkesbury (GB)

(\*\*) Term: **14 Years**

(21) Appl. No.: **29/329,569**

(22) Filed: **Dec. 17, 2008**

(30) **Foreign Application Priority Data**

Jun. 17, 2008 (CH) ..... 135246

(51) **LOC (9) Cl.** ..... **09-07**

(52) **U.S. Cl.** ..... **D9/453**

(58) **Field of Classification Search** ..... D9/772,  
D9/724, 556, 529, 454, 453, 452, 449, 443,  
D9/439; D8/312; D7/392.1; D23/261; D14/217;  
D12/197; 229/123.1; 222/541.2; 220/288;  
215/350, 344, 295, 270, 256, 252, 218, 216,  
215/209, 206

See application file for complete search history.

(56) **References Cited**

**U.S. PATENT DOCUMENTS**

5,829,611 A \* 11/1998 Beck ..... 215/252  
D424,440 S \* 5/2000 Wilkinson et al. .... D9/453  
D463,281 S \* 9/2002 Druitt ..... D9/452  
D465,730 S \* 11/2002 Druitt ..... D9/452  
D480,644 S \* 10/2003 Druitt ..... D9/452  
D500,677 S \* 1/2005 Druitt ..... D9/452  
D508,204 S \* 8/2005 Pitman et al. .... D9/452  
D510,523 S \* 10/2005 Pitman et al. .... D9/452  
D578,889 S \* 10/2008 Sadiq ..... D9/453

D583,236 S \* 12/2008 Fuchs ..... D9/453  
D584,619 S \* 1/2009 Lohrman et al. .... D9/453  
2002/0033374 A1 \* 3/2002 Ma ..... 215/252

\* cited by examiner

*Primary Examiner*—Susan Bennett Hattan

(74) *Attorney, Agent, or Firm*—Pauley Petersen & Erickson

(57) **CLAIM**

The ornamental design for a closure, as shown and described.

**DESCRIPTION**

FIG. 1 is a top view of a closure, according to one embodiment of this invention;

FIG. 2 is a front view of the closure, as shown in FIG. 1;

FIG. 3 is a back view of the closure, as shown in FIG. 1;

FIG. 4 is a left side view of the closure, as shown in FIG. 1;

FIG. 5 is a bottom view of the closure, as shown in FIG. 1;

FIG. 6 is a bottom perspective view of the closure, as shown in FIG. 1;

FIG. 7 is a top perspective view of the closure, as shown in FIG. 1;

FIG. 8 is a top perspective detail view of a portion of the closure, as shown in FIG. 1;

FIG. 9 is a front detail view of a portion of the closure, as shown in FIG. 1;

FIG. 10 is a magnified front perspective view of a portion of the closure, as shown in FIG. 1;

FIG. 11 is a top view of the closure, as shown in FIG. 1; and,

FIG. 12 is a magnified bottom detail view of a portion of the closure, as shown in FIG. 1.

**1 Claim, 2 Drawing Sheets**

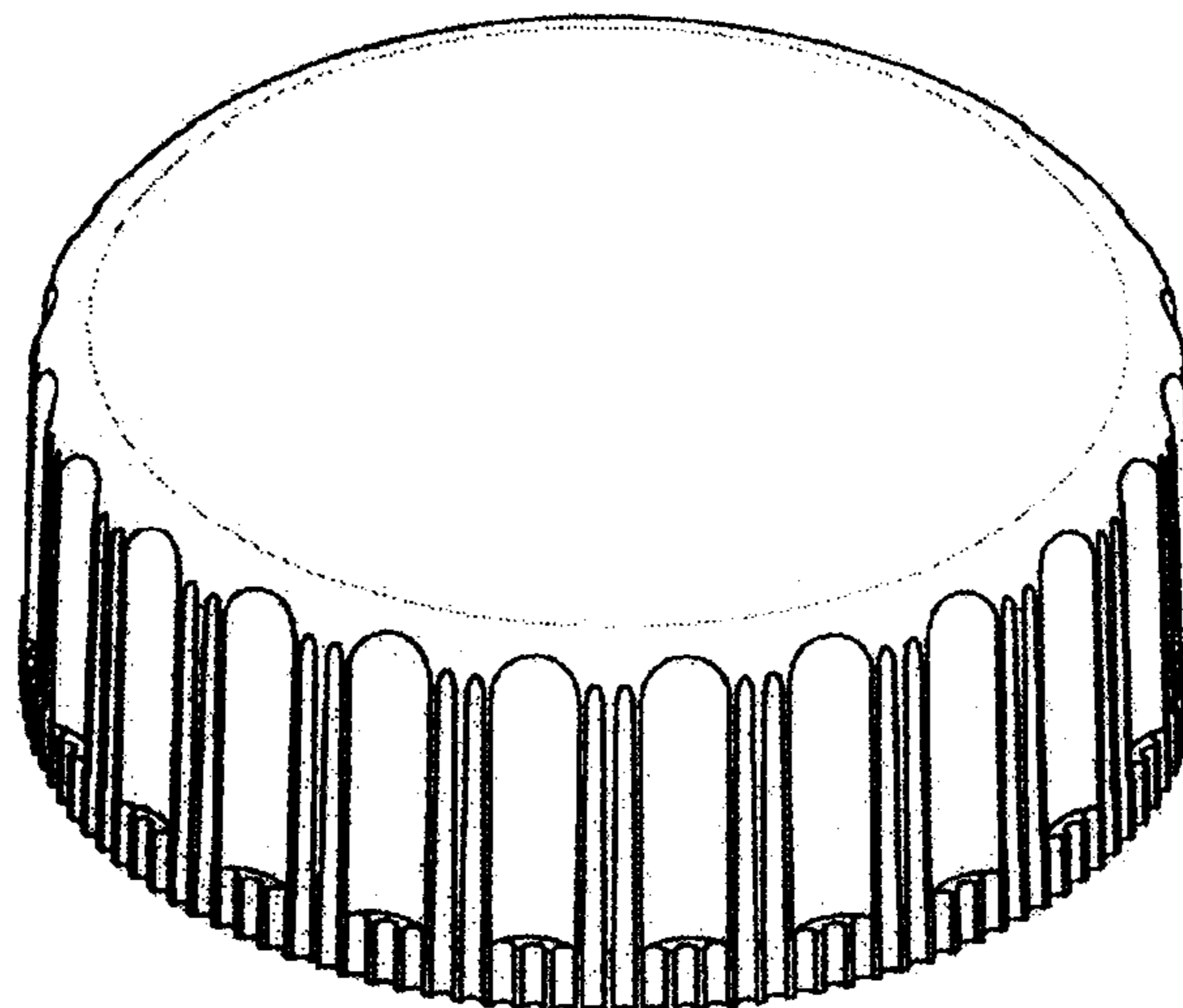


FIG. 1

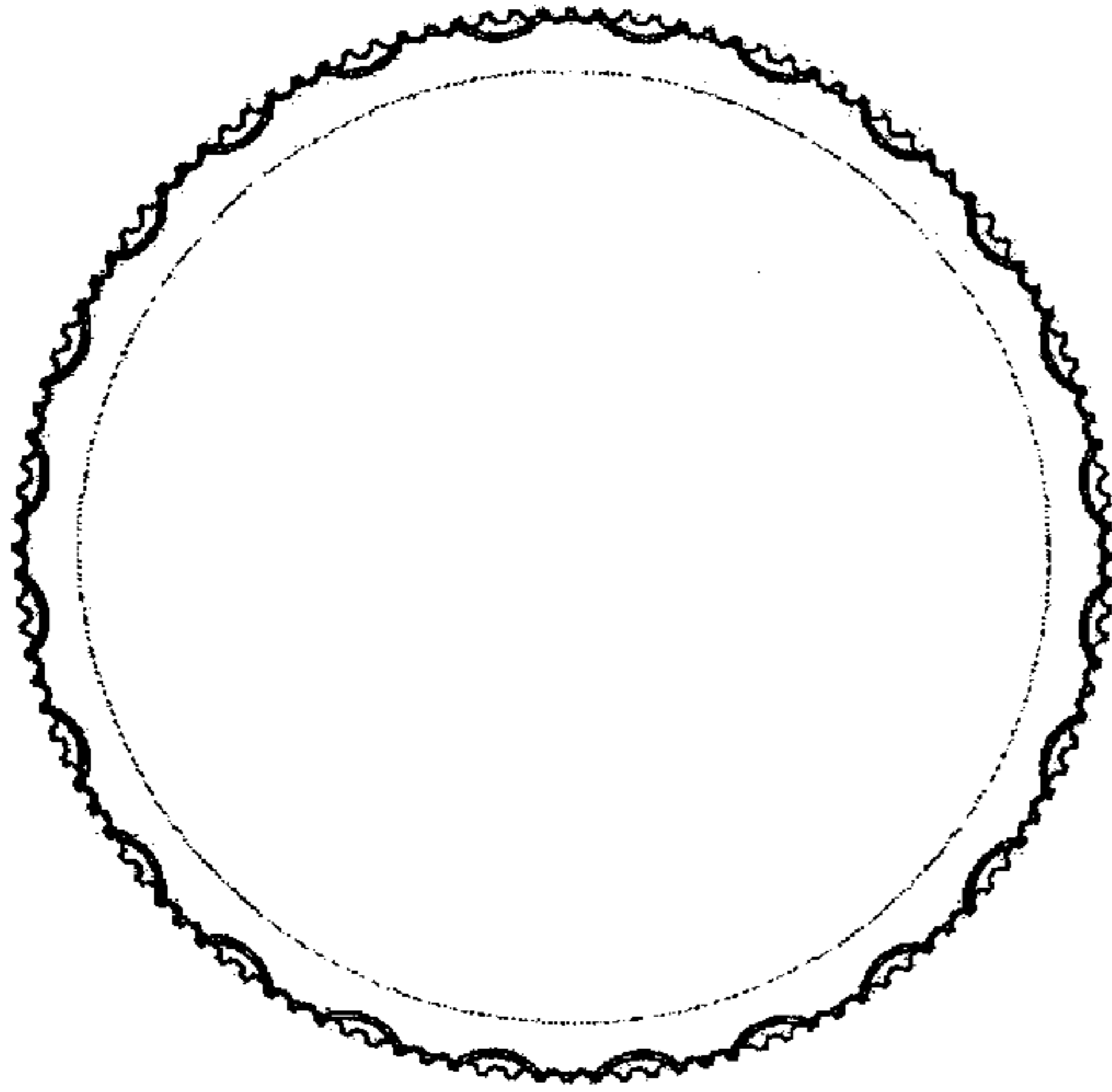


FIG. 5

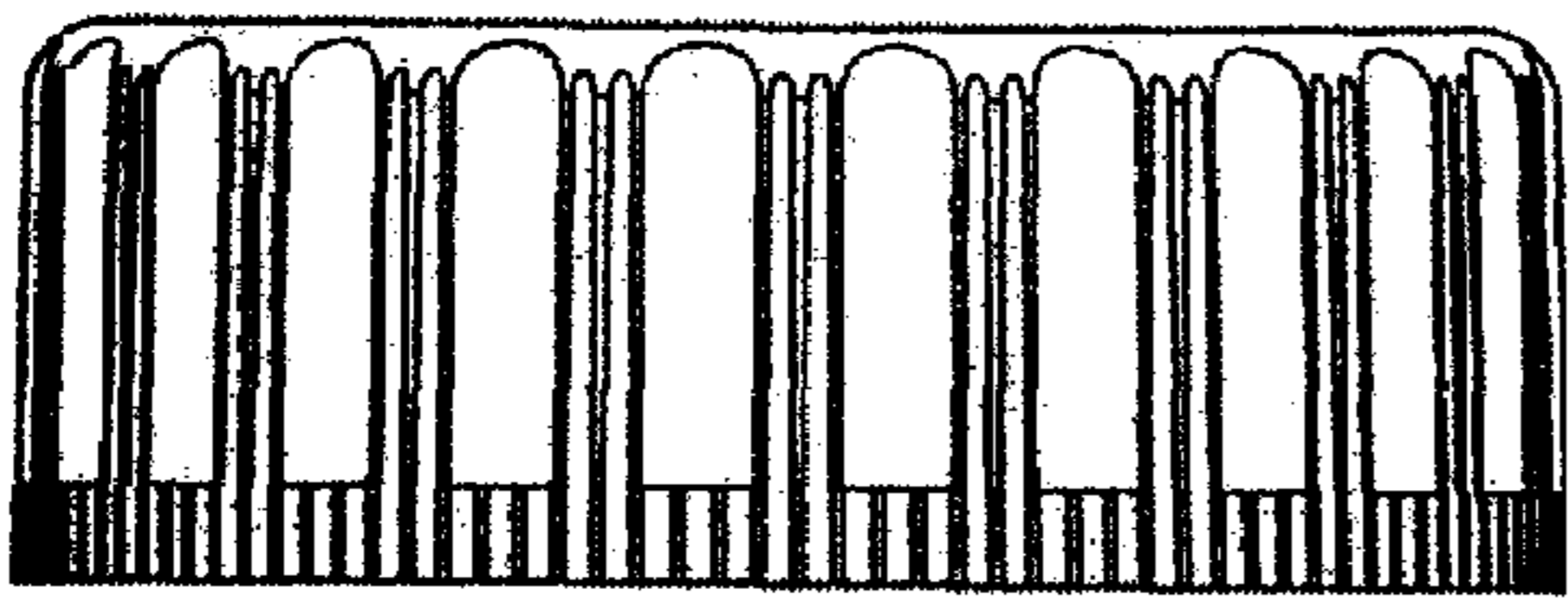
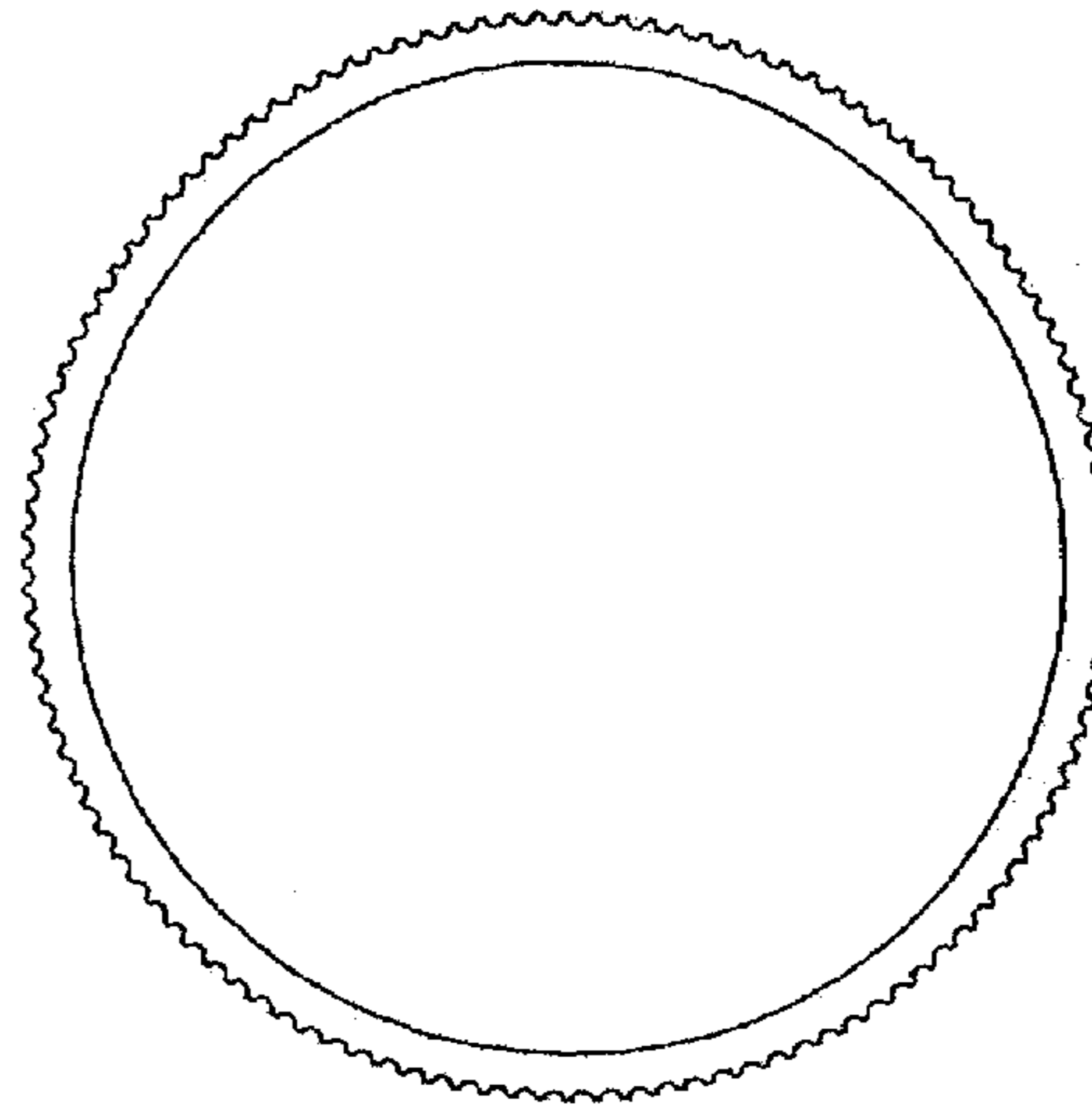


FIG. 2

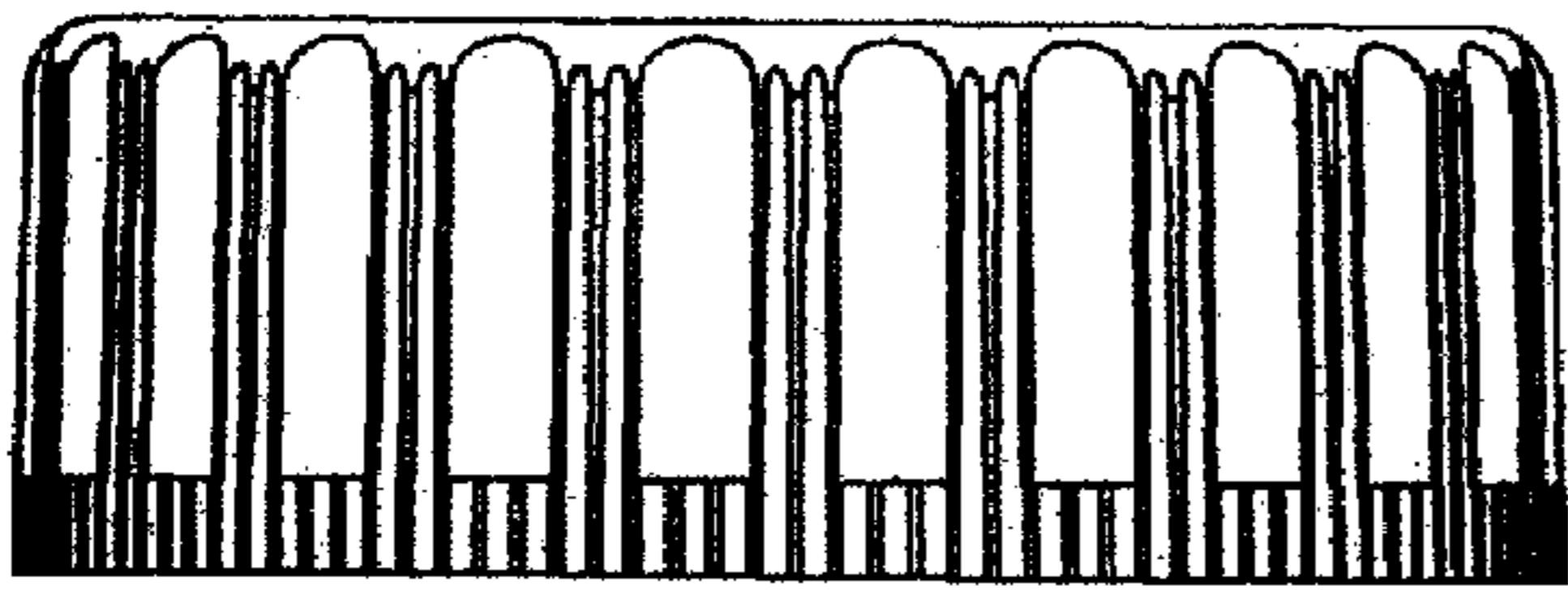


FIG. 3

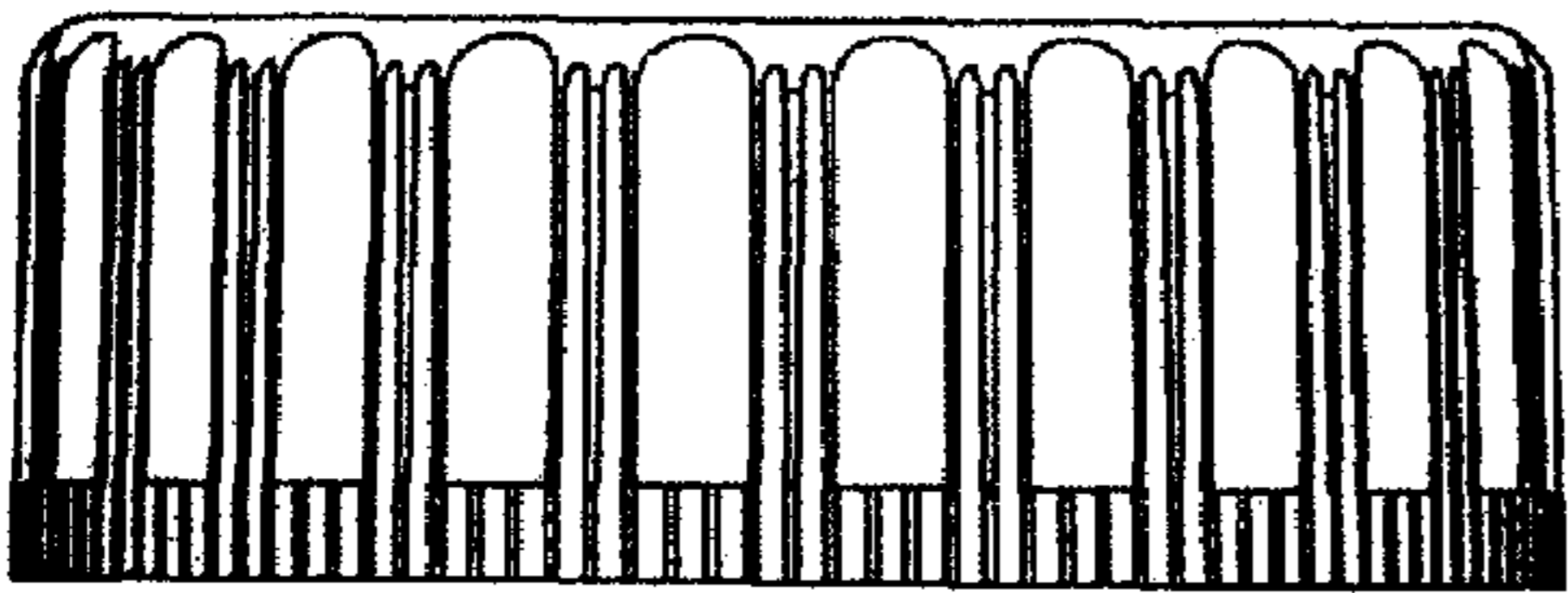


FIG. 4

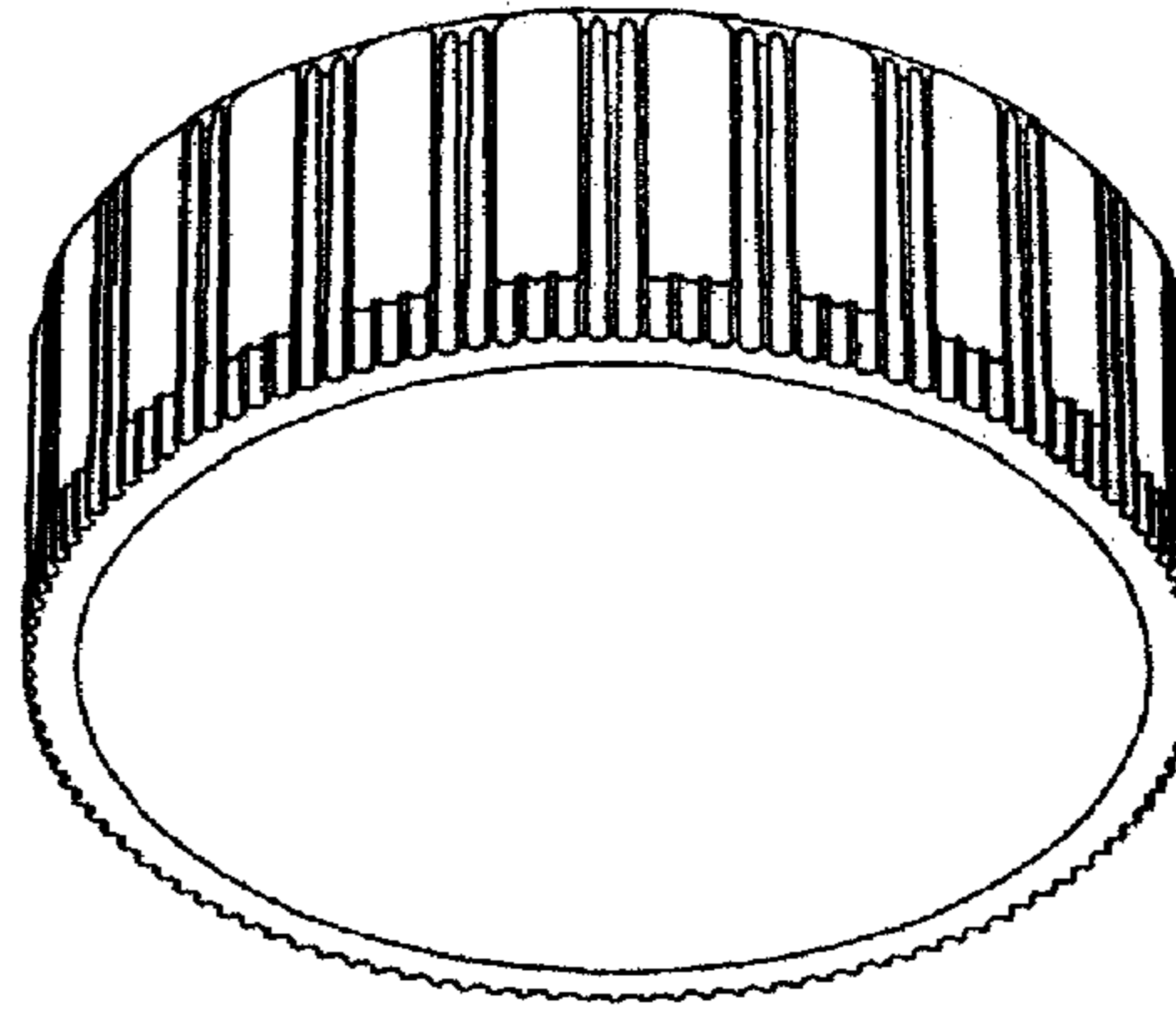


FIG. 6

FIG. 7

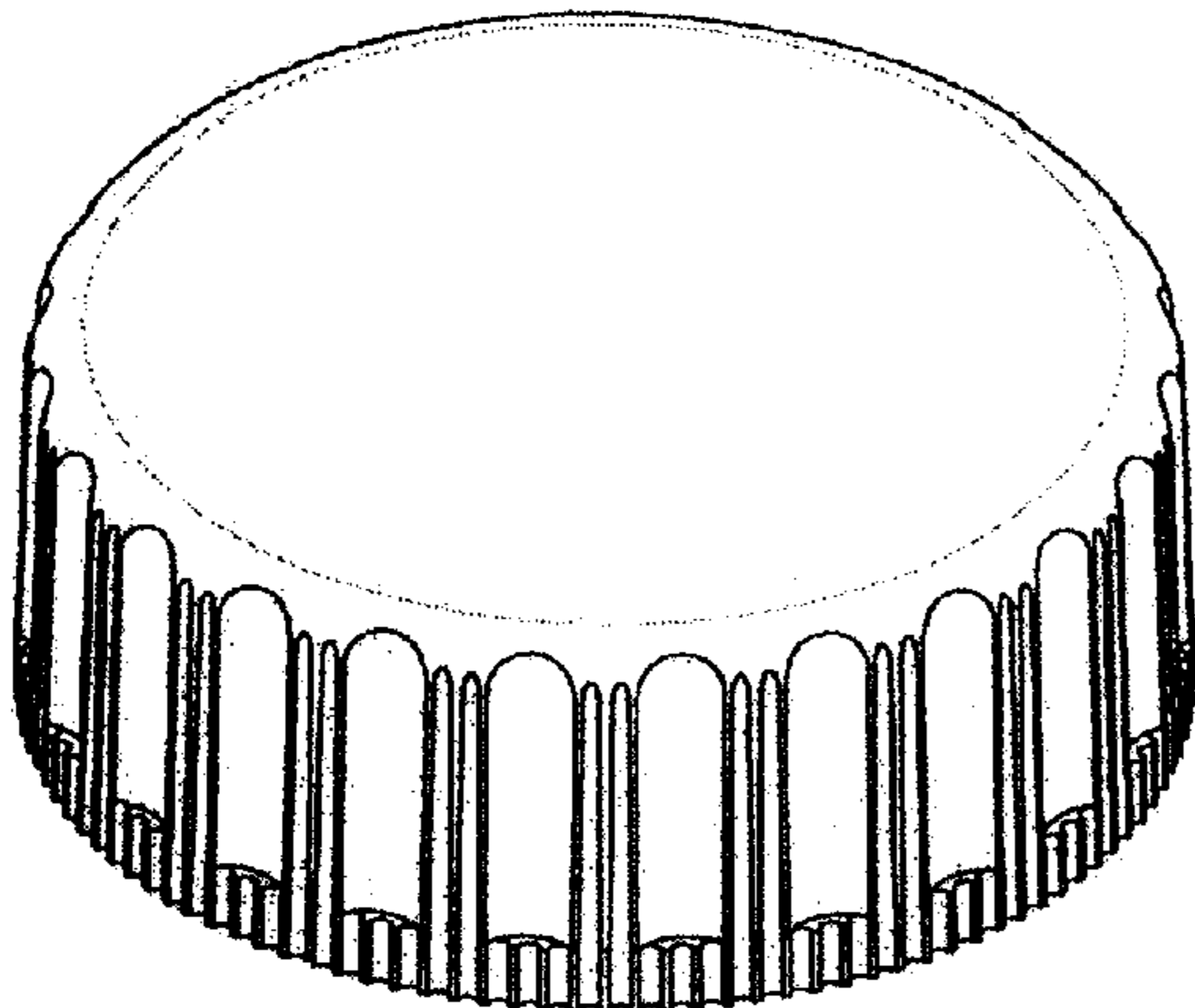


FIG. 11

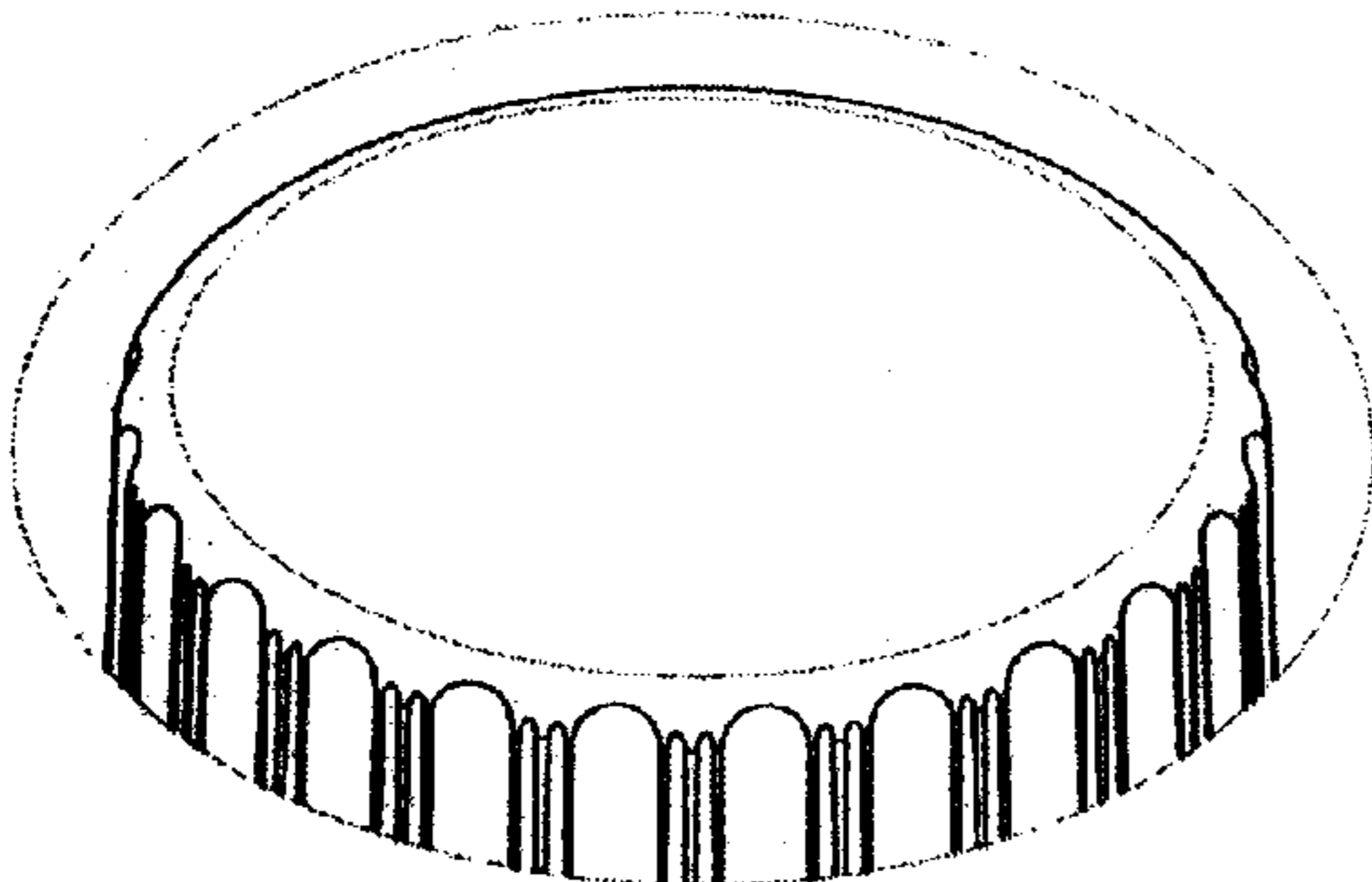
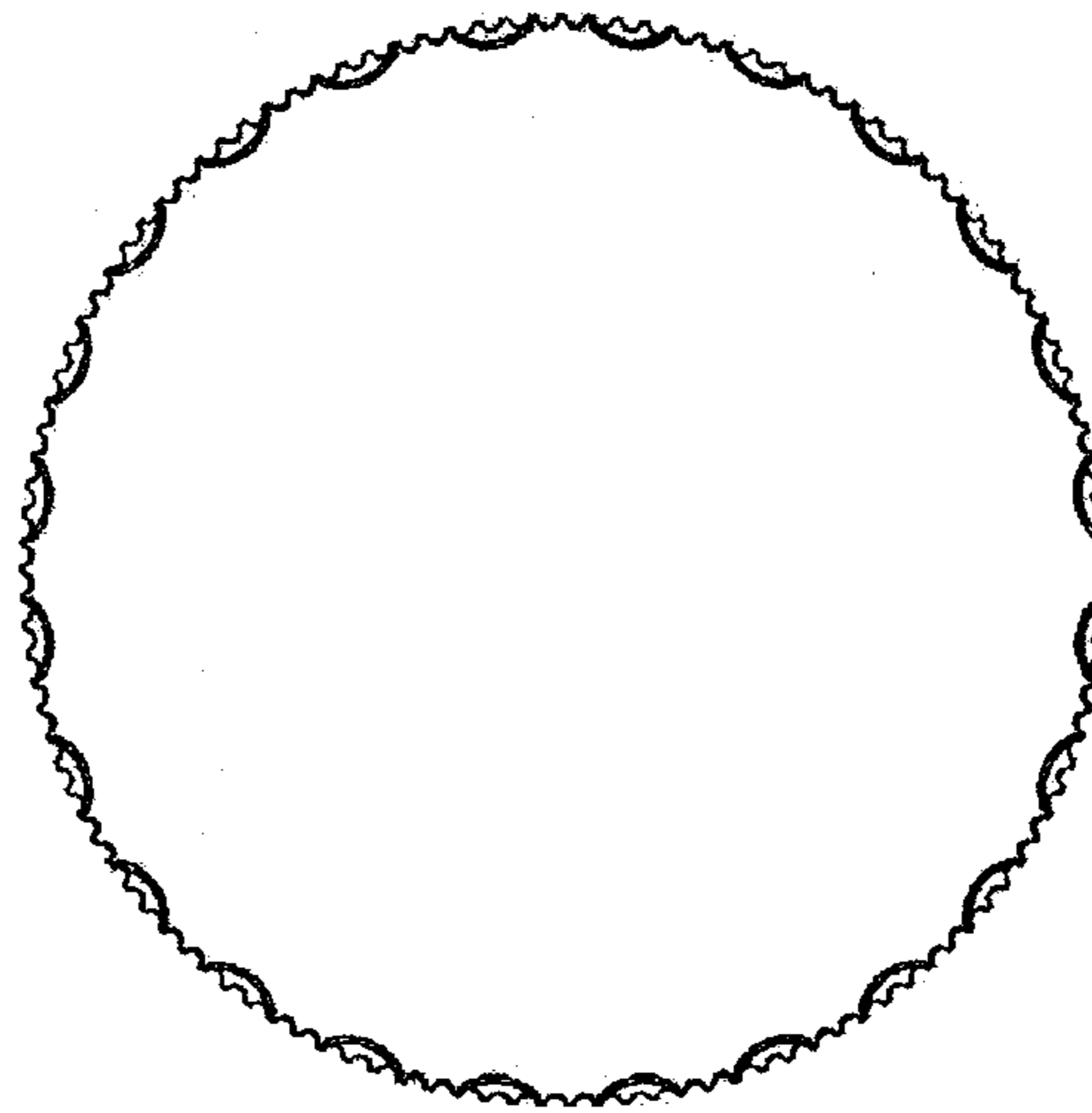


FIG. 8

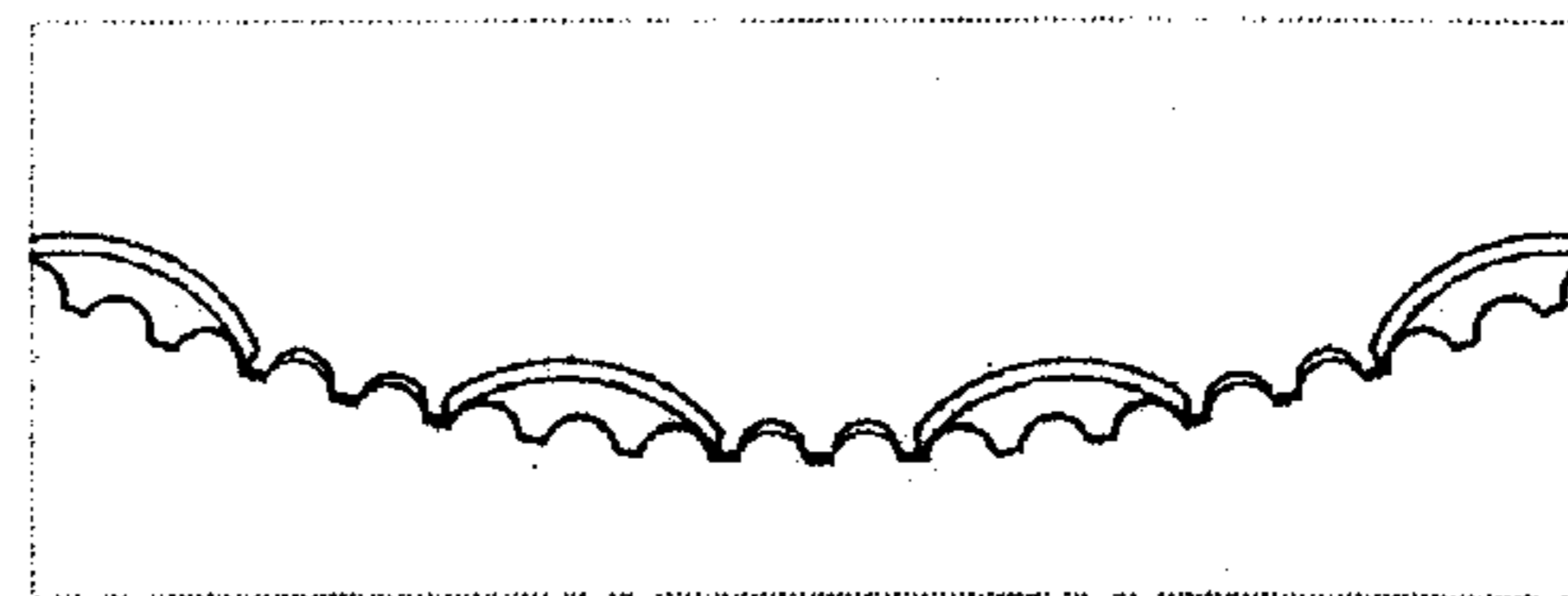


FIG. 12



FIG. 9

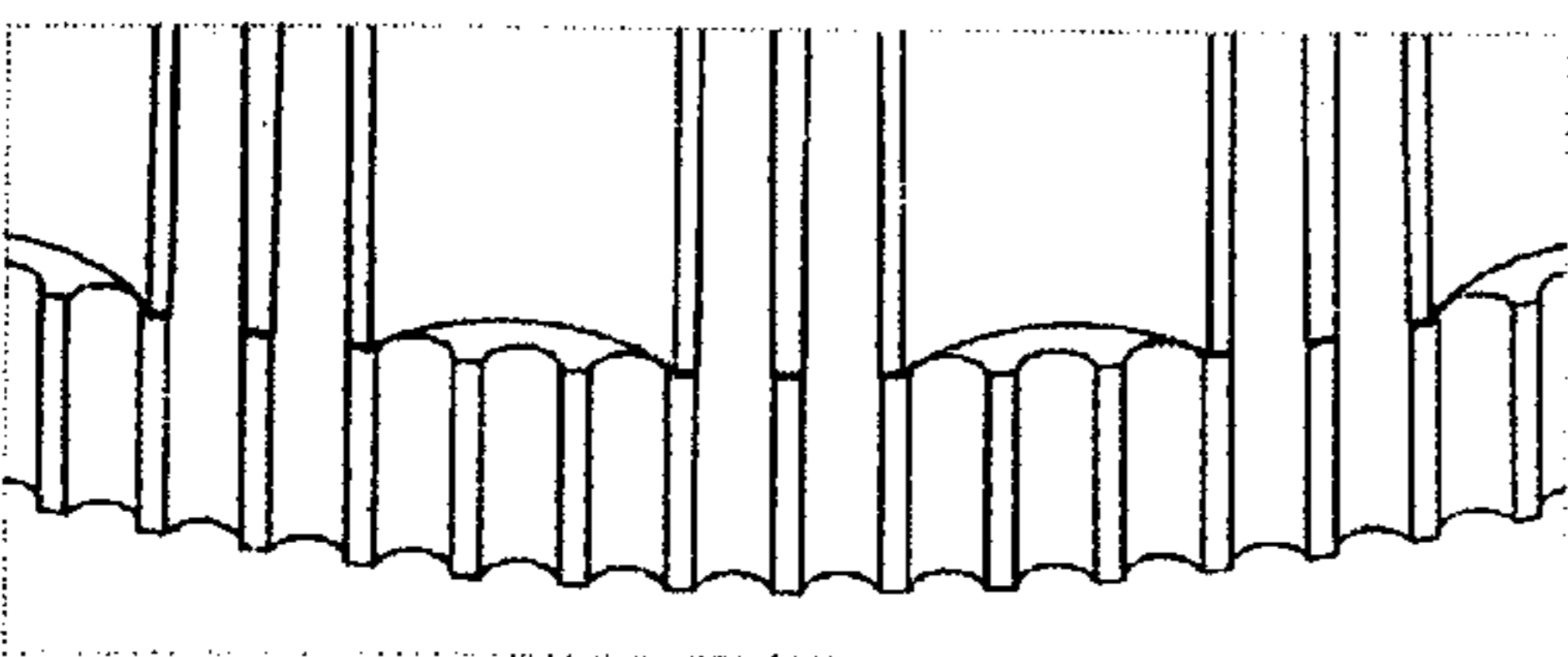


FIG. 10