



US00D613160S

(12) **United States Design Patent**
Ablo

(10) **Patent No.:** **US D613,160 S**

(45) **Date of Patent:** **** Apr. 6, 2010**

(54) **CAP FOR A BOTTLE**

(75) Inventor: **Famia E. Ablo**, Orlando, FL (US)

(73) Assignee: **Dart Industries Inc.**, Orlando, FL (US)

(**) Term: **14 Years**

(21) Appl. No.: **29/310,711**

(22) Filed: **Sep. 5, 2008**

(51) **LOC (9) Cl.** **09-07**

(52) **U.S. Cl.** **D9/443; D9/436; D9/445;**
D9/454

(58) **Field of Classification Search** D9/907,
D9/697, 696, 695, 530, 454, 453, 445, 444,
D9/443, 442, 439, 438, 436, 435, 434, 415;
D7/536, 535, 533, 511, 396.2, 391; D3/326,
D3/318, 302, 294; 222/568, 567, 566, 376,
222/288, 214, 212.5; 215/356, 329, 305,
215/228, 11.1

See application file for complete search history.

(56) **References Cited**

U.S. PATENT DOCUMENTS

- D101,865 S * 11/1936 Fuerst D7/533
- D207,033 S 2/1967 Bowker
- D221,064 S 7/1971 Warren
- D227,532 S * 7/1973 Refsgaard D7/536

- D255,967 S * 7/1980 Andersen D7/536
- D351,793 S 10/1994 Stoller
- 5,431,305 A 7/1995 Kaminski
- D366,186 S * 1/1996 Kato D7/511
- 5,941,404 A 8/1999 Charrette
- D421,199 S 2/2000 Hashimoto
- D428,763 S 8/2000 Hashimoto

* cited by examiner

Primary Examiner—Susan Bennett Hattan

(74) *Attorney, Agent, or Firm*—John A. Doninger

(57) **CLAIM**

The ornamental design for a cap for a bottle, as shown and described.

DESCRIPTION

FIG. 1 is a top, side and front perspective view of a cap for a bottle showing my new design;

FIG. 2 is a front elevation view thereof, the rear elevation being a mirror image thereof;

FIG. 3 is a right side elevation view thereof;

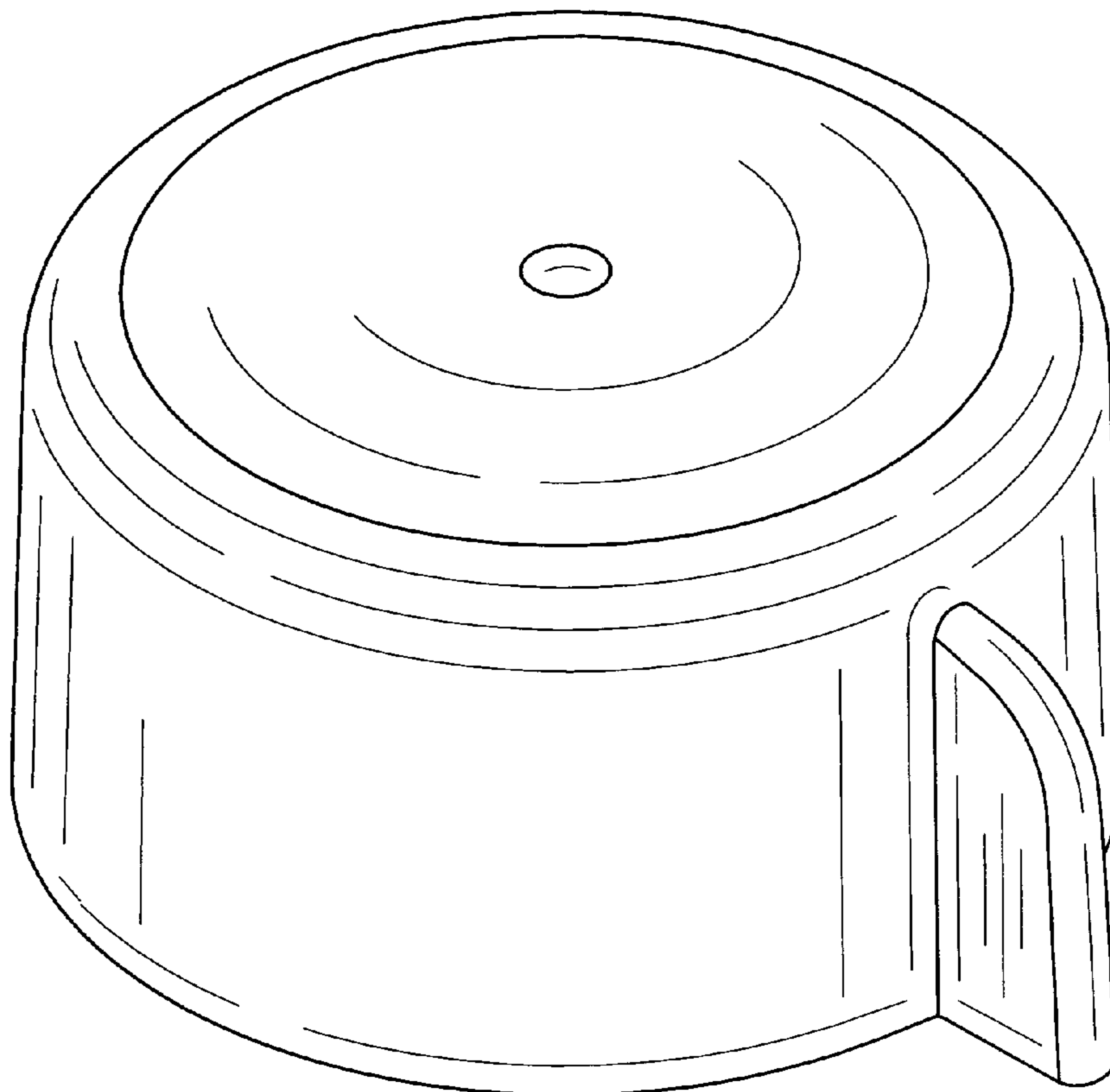
FIG. 4 is a left side elevation view thereof;

FIG. 5 is a top plan view thereof;

FIG. 6 is a bottom plan view thereof; and,

FIG. 7 is a bottom, side and rear perspective view thereof.

1 Claim, 5 Drawing Sheets



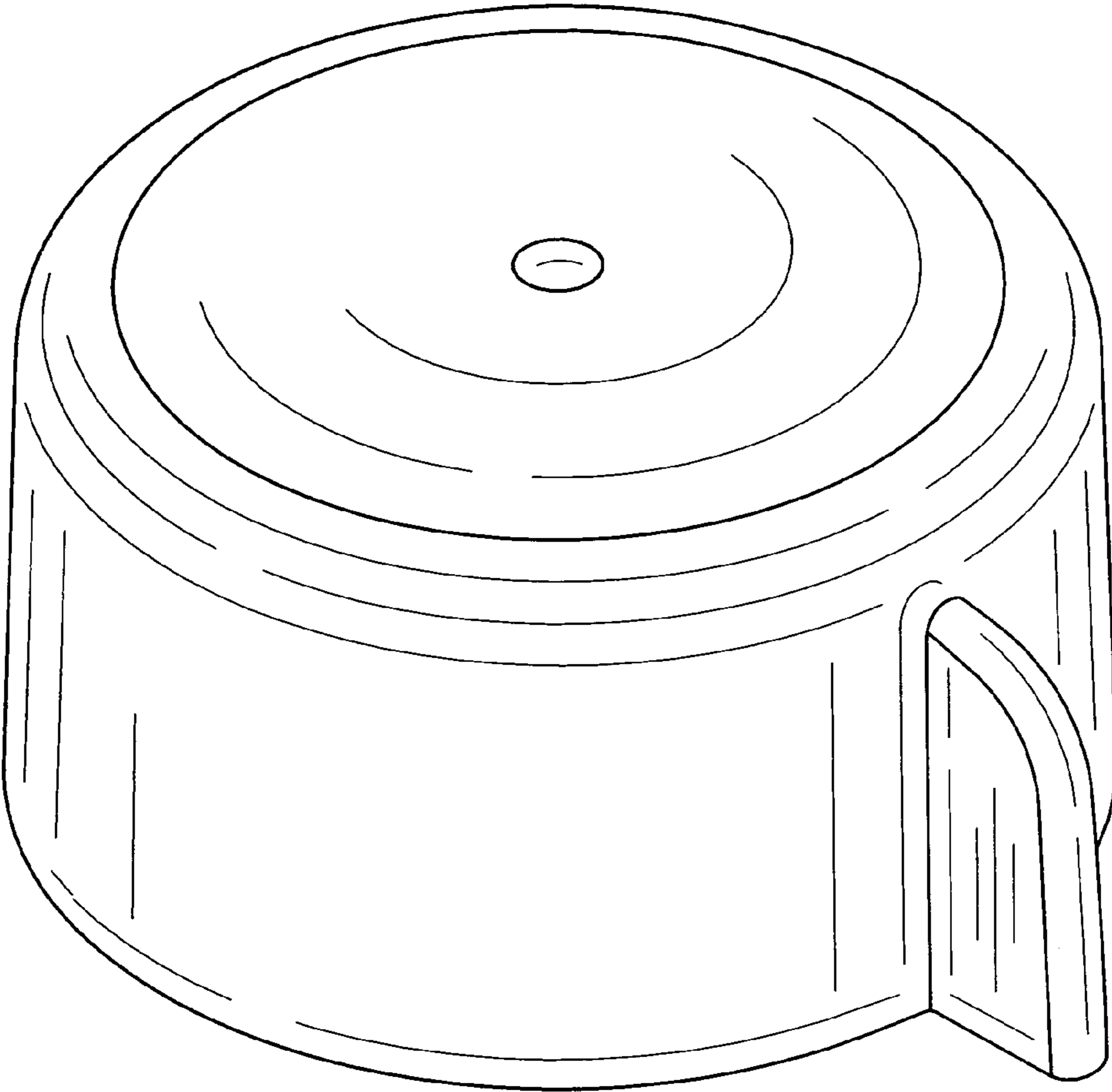


FIG. 1

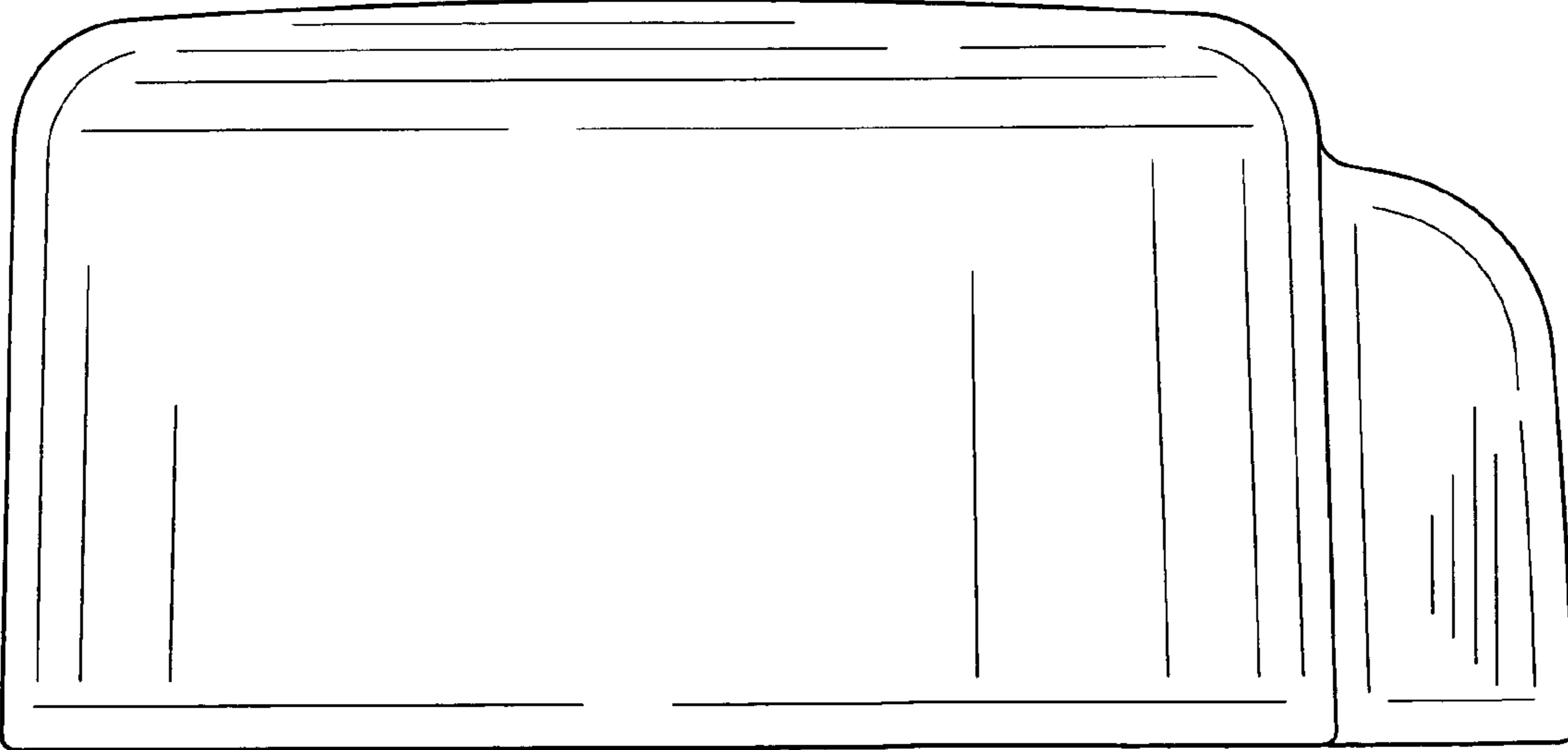


FIG. 2

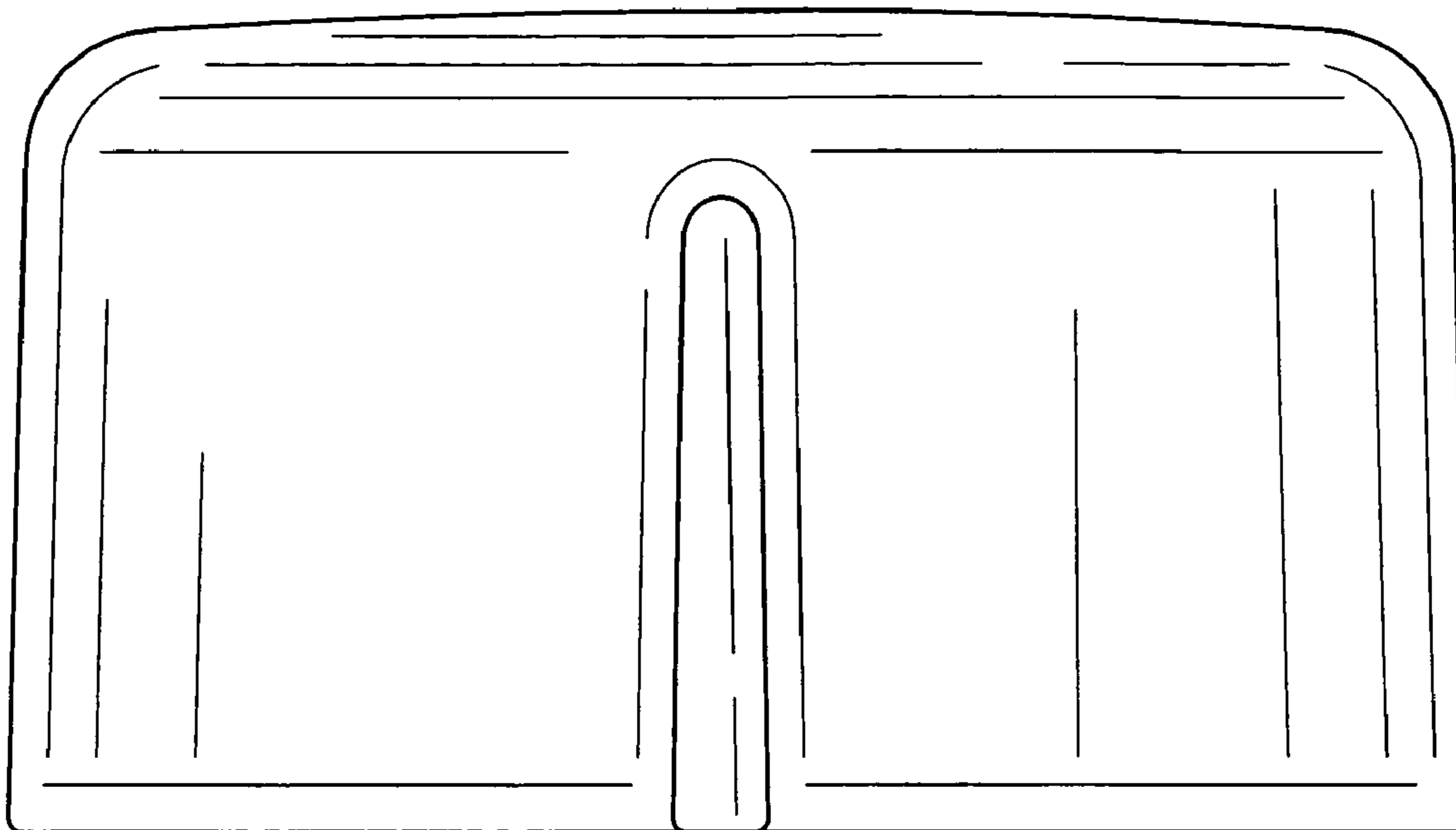


FIG. 3

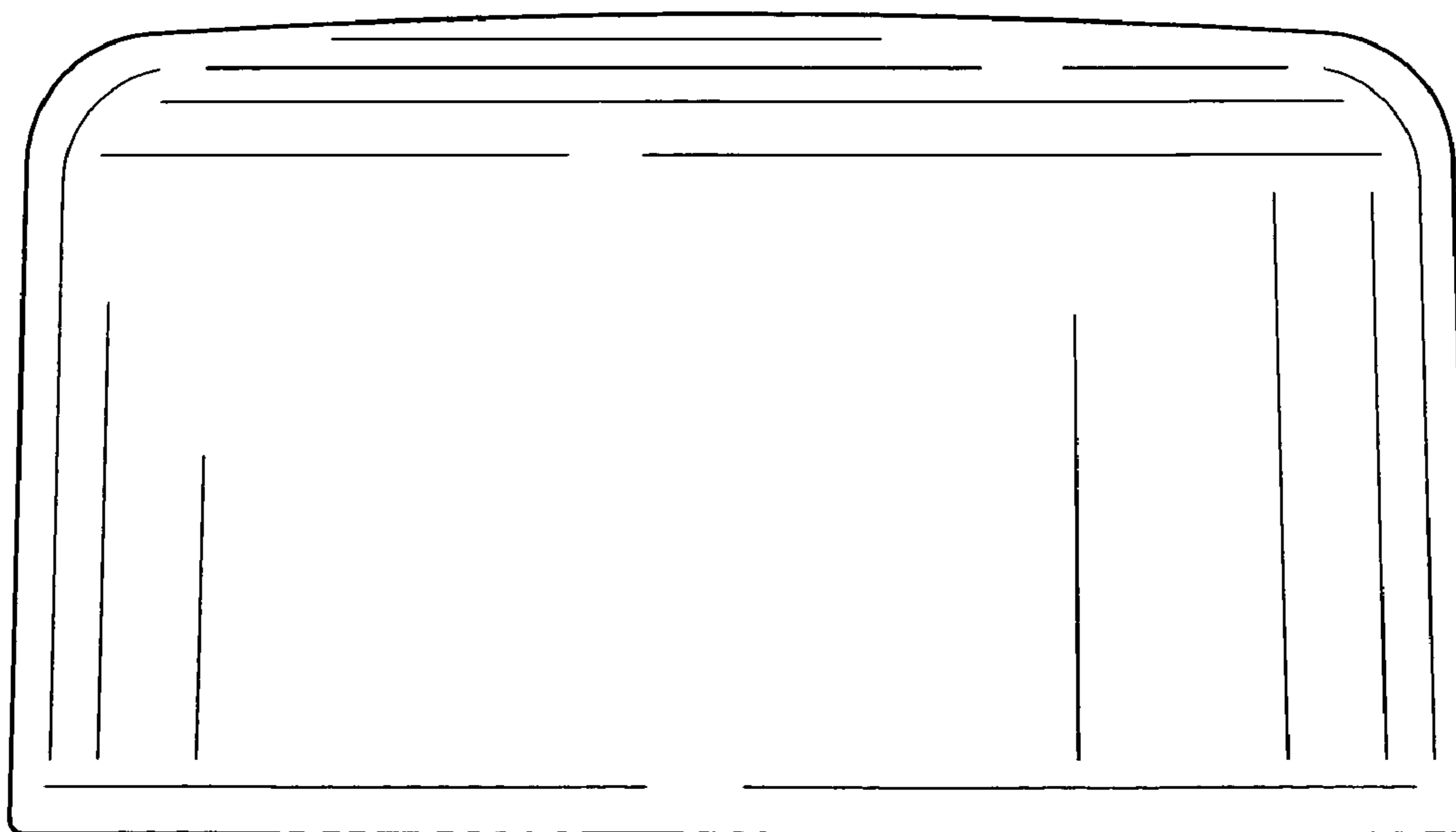


FIG. 4

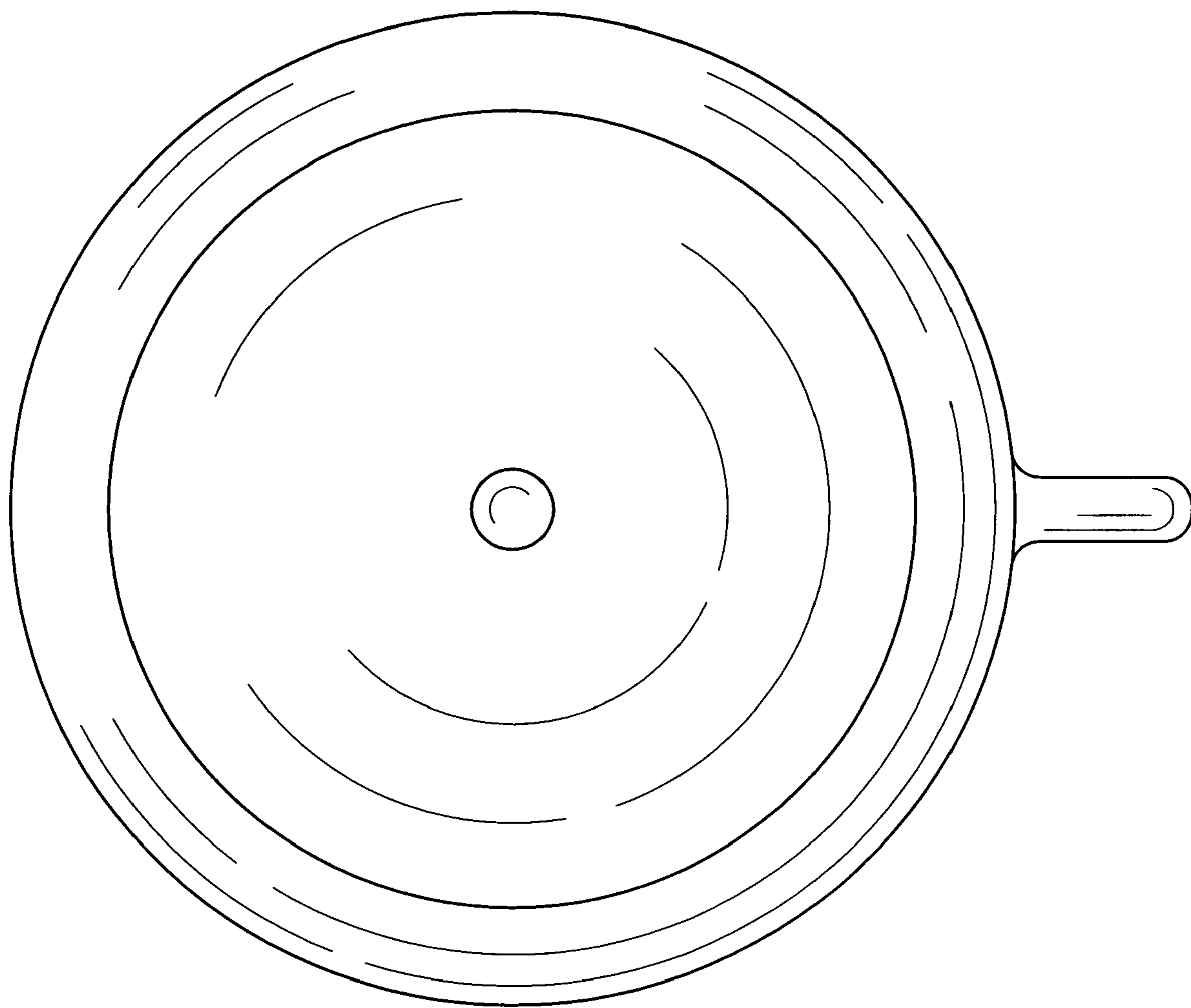


FIG. 5

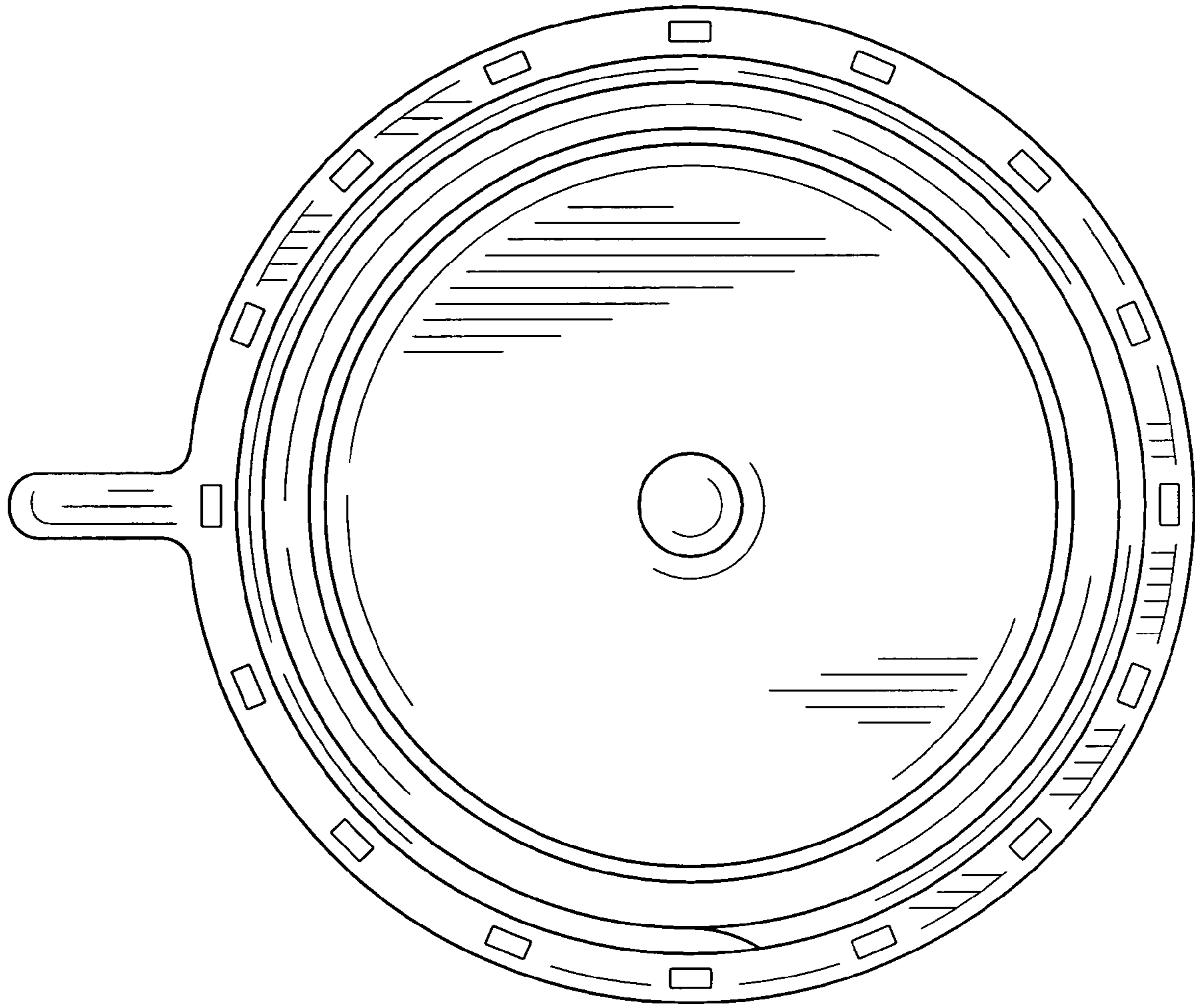


FIG. 6

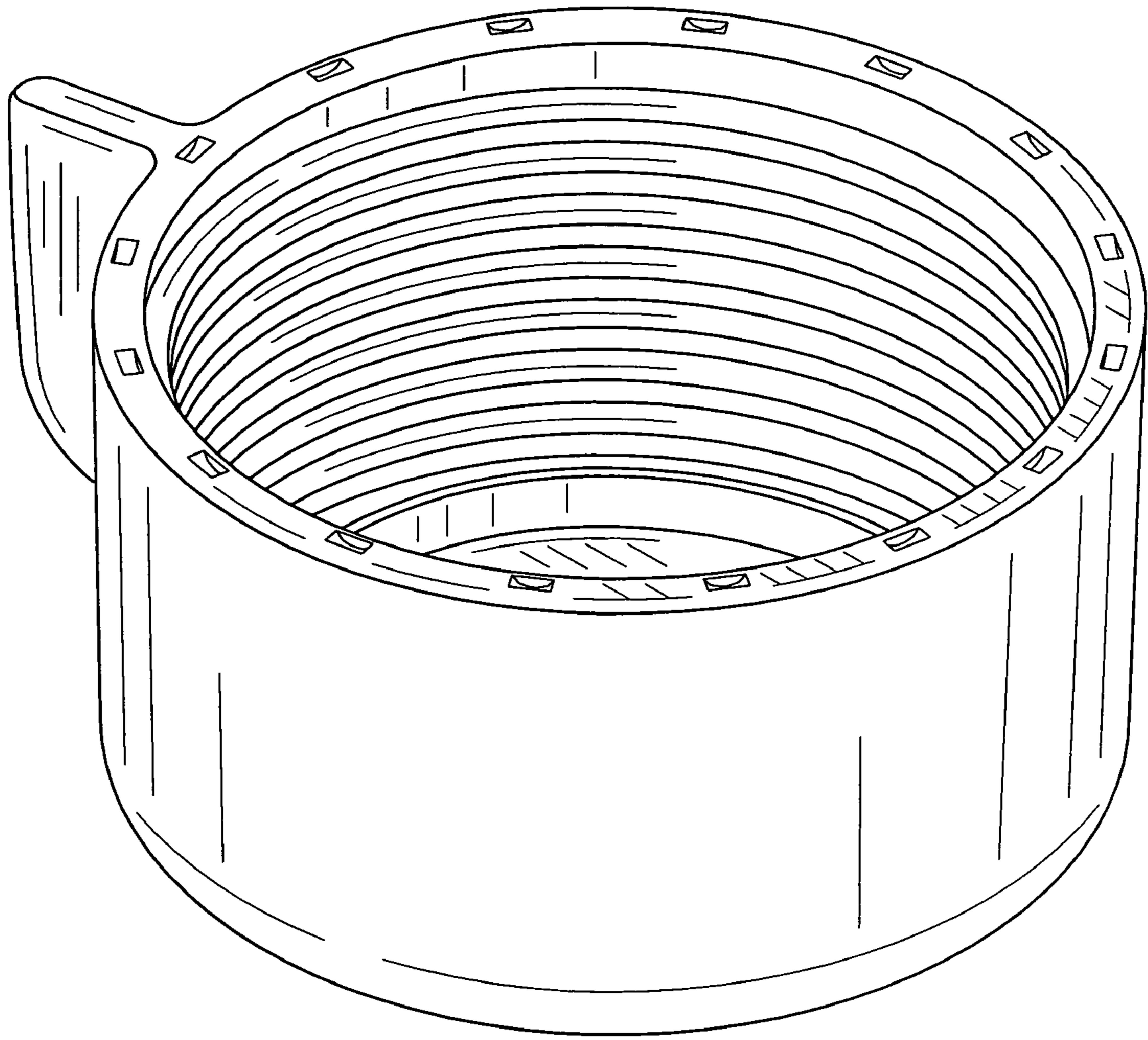


FIG. 7