



US00D613159S

(12) **United States Design Patent**
Espano

(10) **Patent No.:** **US D613,159 S**

(45) **Date of Patent:** **** Apr. 6, 2010**

(54) **ANTI-DRIP POURER**

(75) Inventor: **Francesc Albir Espano**, Barcelona (ES)

(73) Assignee: **Biropard, S.L.**, Barcelona (ES)

(**) Term: **14 Years**

(21) Appl. No.: **29/334,212**

(22) Filed: **Mar. 23, 2009**

(51) **LOC (9) Cl.** **09-07**

(52) **U.S. Cl.** **D9/435; D9/456; D9/457;**
D9/447

(58) **Field of Classification Search** D9/624,
D9/457, 456, 447, 446, 435, 434, 433, 432,
D9/425, 424, 418, 415, 414; D7/392, 392.1;
D3/201; D20/28, 22; 229/313, 225, 222,
229/212, 209, 208, 149; 206/728

See application file for complete search history.

(56) **References Cited**

U.S. PATENT DOCUMENTS

2,667,711	A *	2/1954	Anderson	206/493
D286,268	S *	10/1986	Wolff	D9/447
5,651,481	A *	7/1997	Jensen	222/566
D414,652	S *	10/1999	Lillelund et al.	D7/392
D418,753	S *	1/2000	DuBow	D9/440
D438,797	S *	3/2001	Bozlee	D9/434
D493,108	S *	7/2004	Burr et al.	D9/433
D496,587	S *	9/2004	Burr et al.	D9/434
D498,141	S *	11/2004	Burr et al.	D9/434
D503,089	S *	3/2005	Burr et al.	D9/434
D506,387	S *	6/2005	Burr et al.	D9/434
6,926,169	B2 *	8/2005	Burato et al.	222/1
D536,247	S *	2/2007	Burr et al.	D9/434

2005/0023308 A1 2/2005 Burato et al.

* cited by examiner

Primary Examiner—Susan Bennett Hattan

(74) *Attorney, Agent, or Firm*—Arent Fox LLP; James J. Bindseil

(57) **CLAIM**

The ornamental design for an anti-drip pourer, as shown and described.

DESCRIPTION

FIG. 1 is a perspective view of an anti-drip pourer of my new design;

FIG. 2 is a front view of the anti-drip pourer of FIG. 1, the rear view being a mirror image thereof;

FIG. 3 is a right side view of the anti-drip pourer of FIG. 1, the left side view being a mirror image thereof;

FIG. 4 is a top view of the anti-drip pourer of FIG. 1;

FIG. 5 is a bottom view of the anti-drip pourer of FIG. 1;

FIG. 6 is a perspective view of the anti-drip pourer of FIG. 1 in a first alternative position;

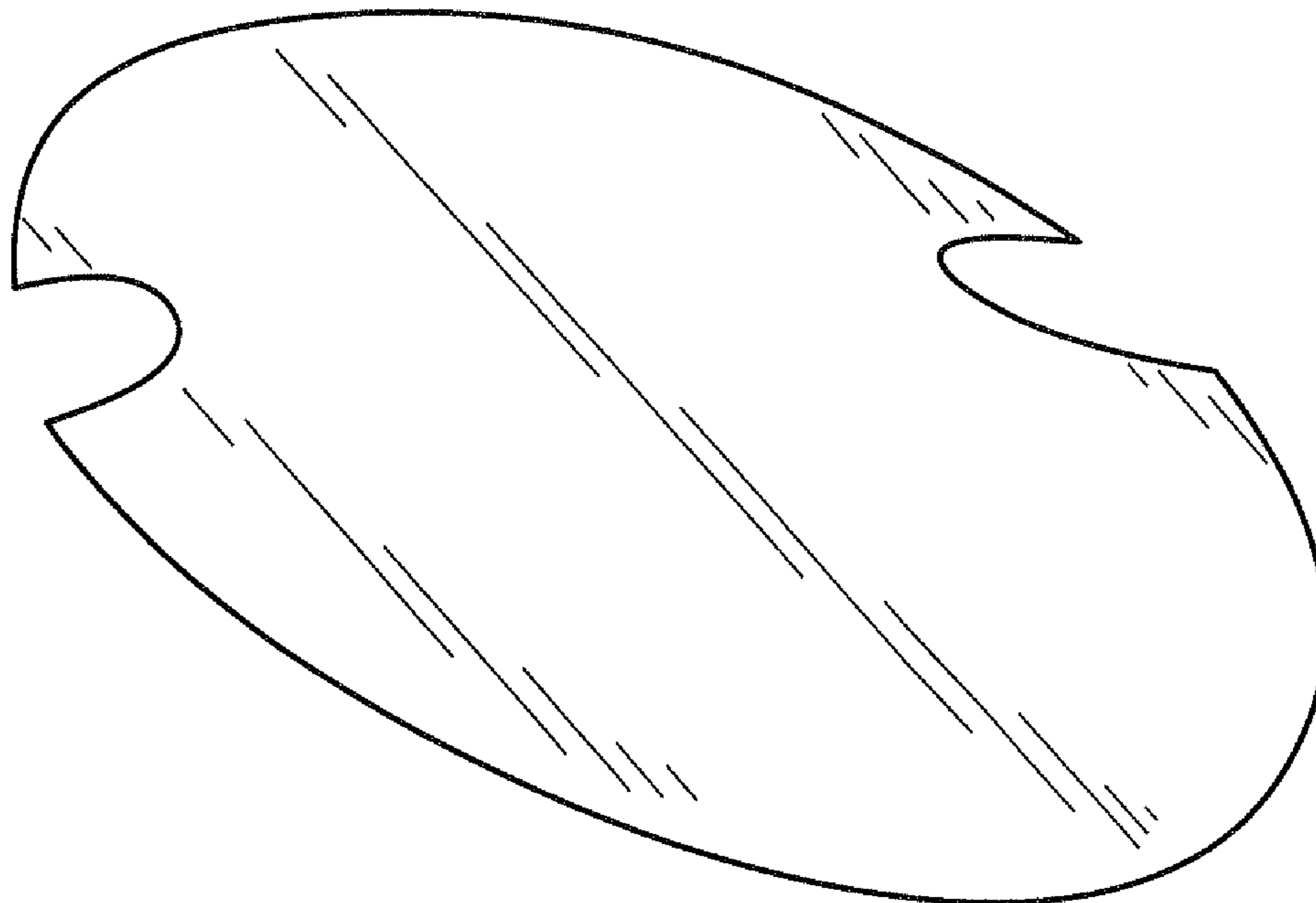
FIG. 7 is a perspective view of the anti-drip pourer of FIG. 1 in a second alternative position;

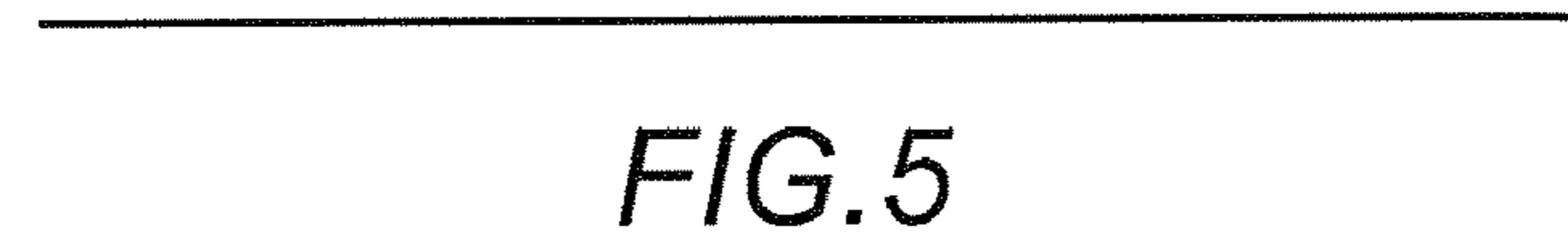
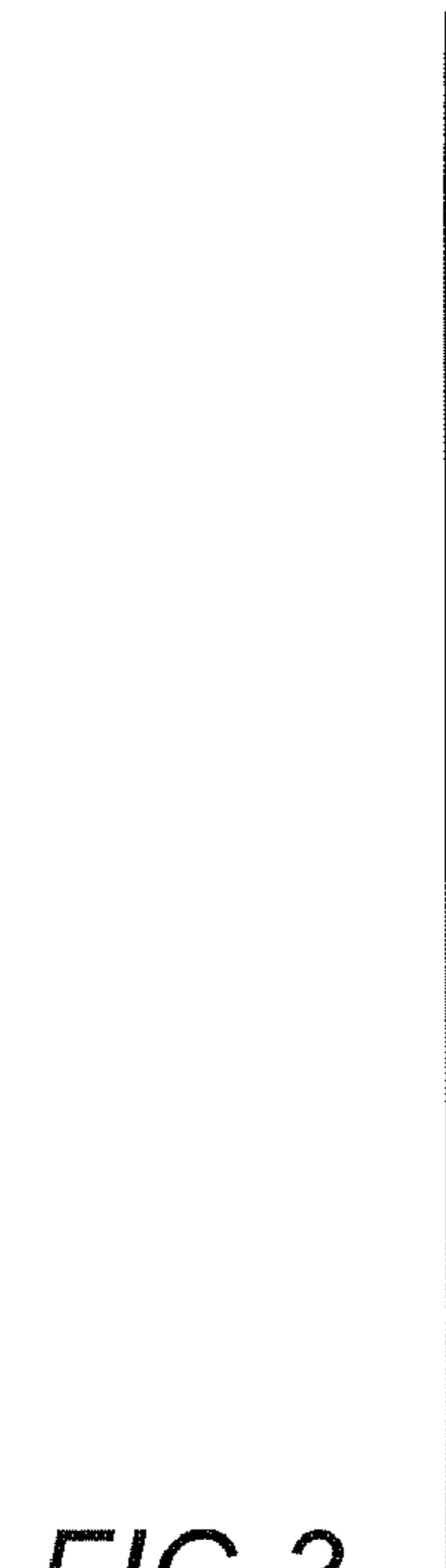
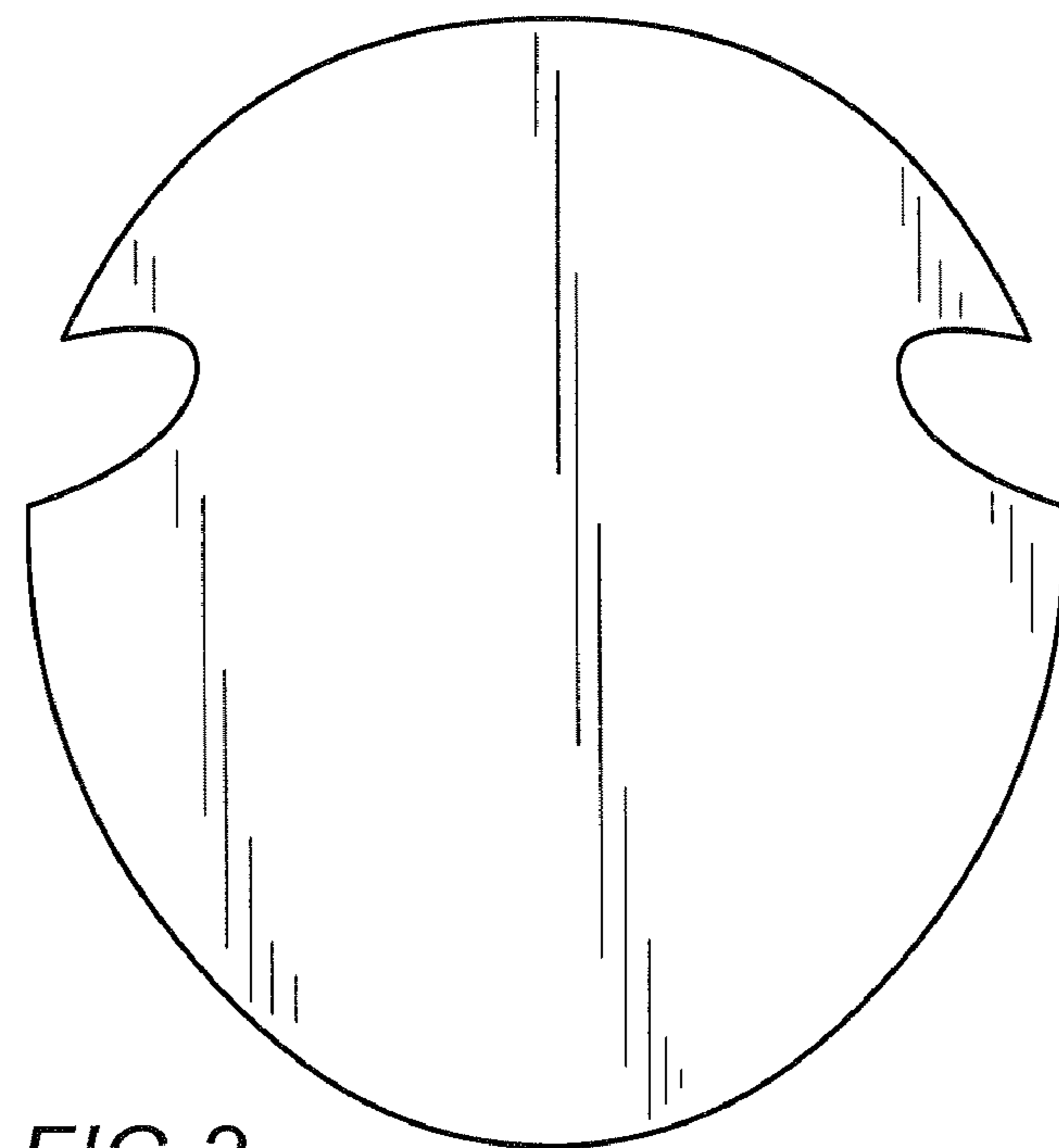
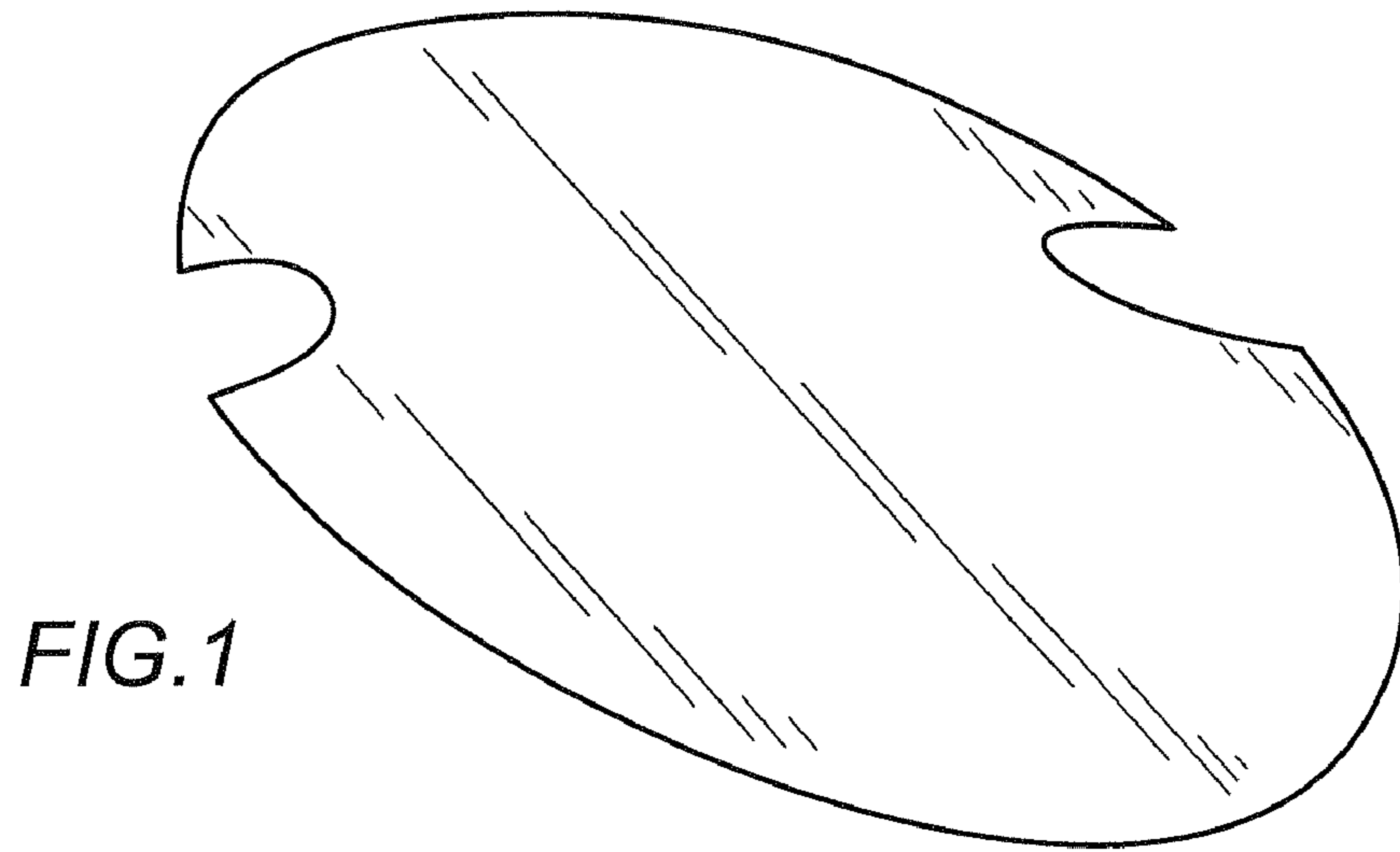
FIG. 8 is a perspective view of the anti-drip pourer of FIG. 6 located at a first position within an opening of a bottle; and,

FIG. 9 is a perspective view of the anti-drip pourer of FIG. 7 located at a second position within an opening of a bottle.

The bottle in FIGS. 8 and 9 is represented in broken lines for illustrative purposes only and forms no part of the claimed design.

1 Claim, 4 Drawing Sheets





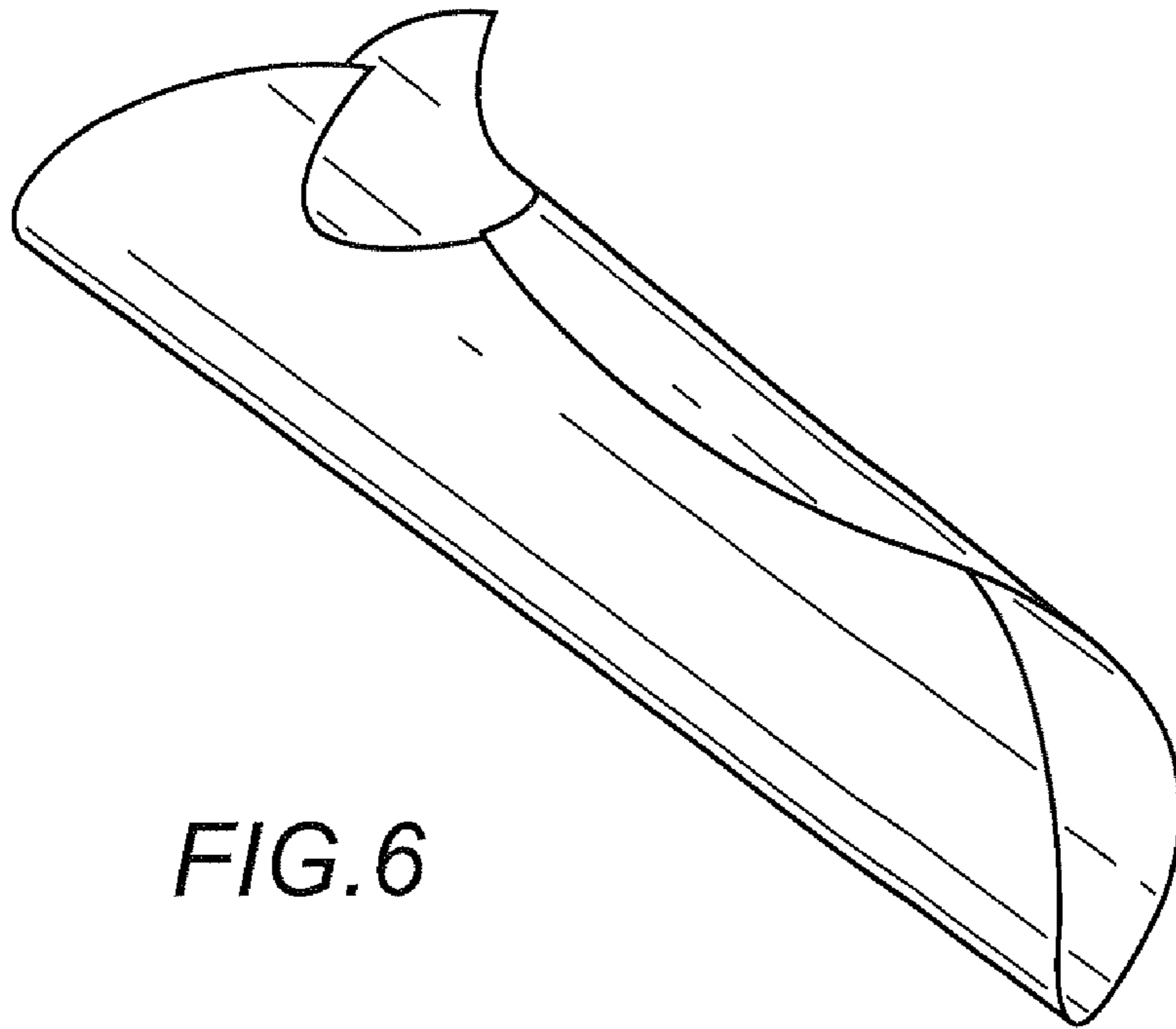


FIG. 6

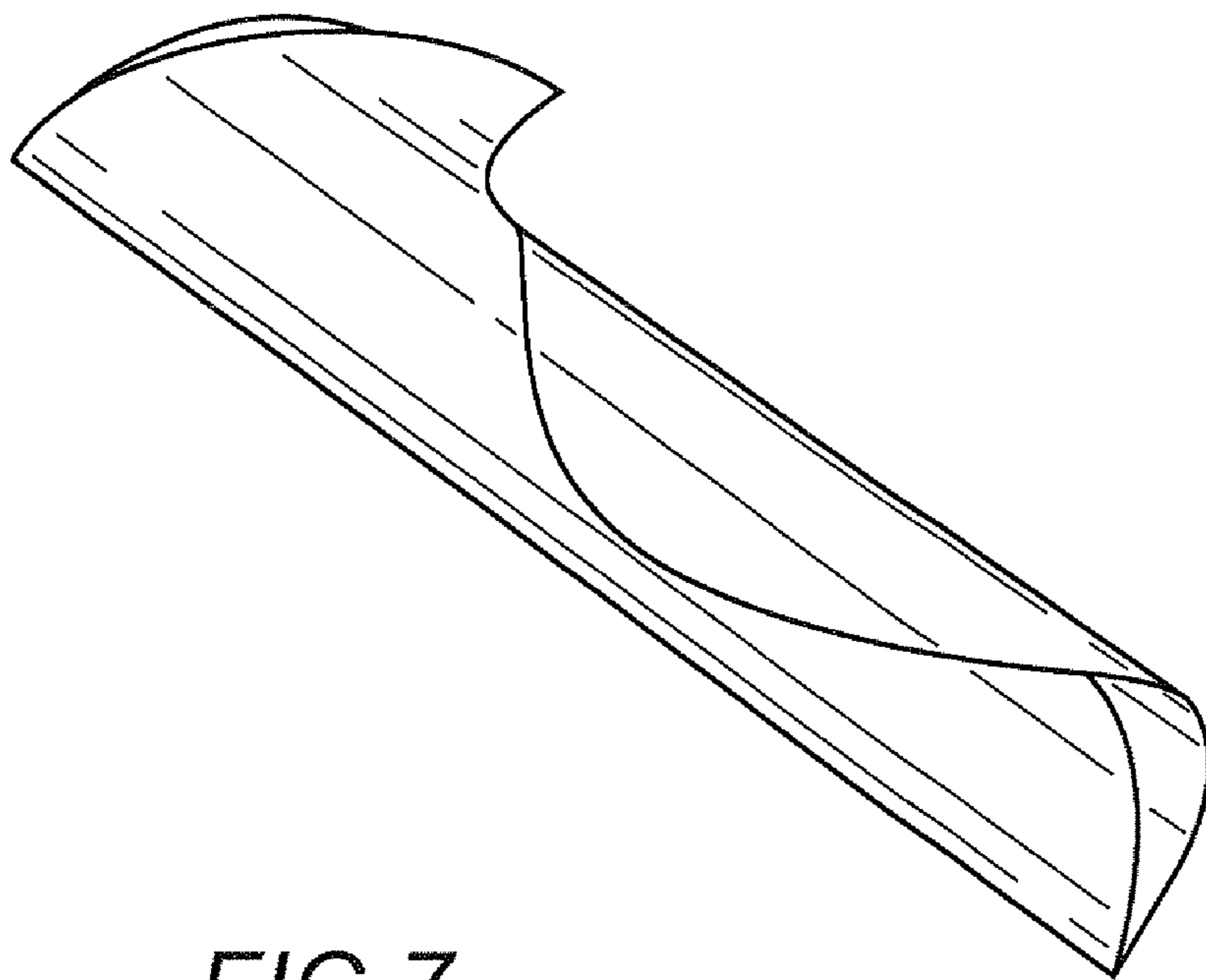


FIG. 7

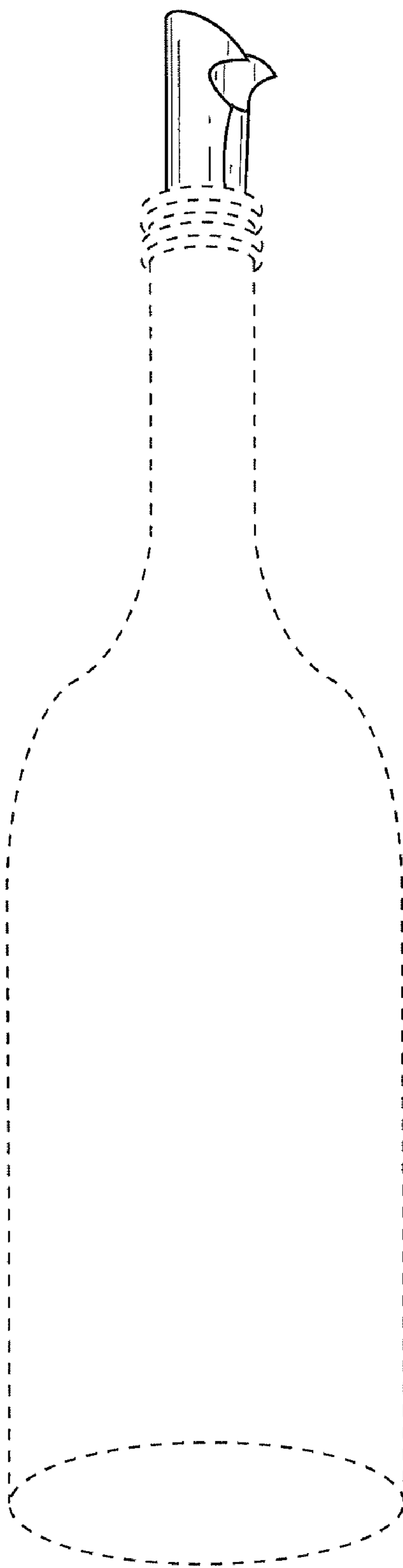


FIG. 8

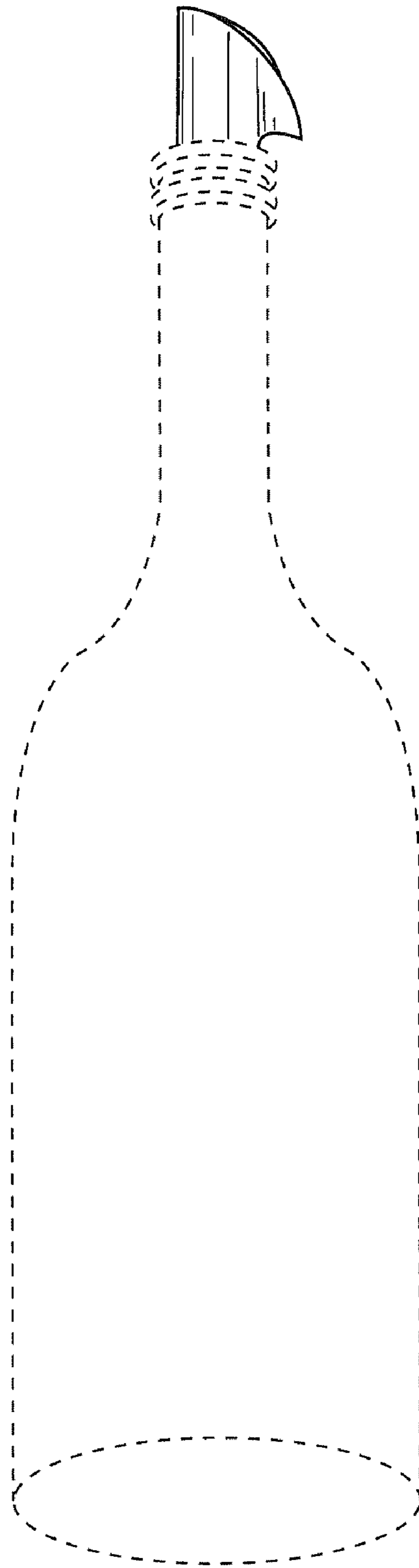


FIG.9