



US00D613151S

(12) **United States Design Patent**
Goodman et al.

(10) **Patent No.:** **US D613,151 S**
(45) **Date of Patent:** **** Apr. 6, 2010**

(54) **OVER-THE-CABINET DRAWER HOOK**

(75) Inventors: **Sheldon H. Goodman**, Solon, OH (US);
Omer I. Sazir, Cleveland, OH (US)

(73) Assignee: **Spectrum Diversified Designs, Inc.**,
Streetsboro, OH (US)

(**) Term: **14 Years**

(21) Appl. No.: **29/317,721**

(22) Filed: **May 6, 2008**

(51) **LOC (9) Cl.** **08-05**

(52) **U.S. Cl.** **D8/367**

(58) **Field of Classification Search** D8/367,
D8/373; 248/214–215, 301–304, 339
See application file for complete search history.

(56) **References Cited**

U.S. PATENT DOCUMENTS

- 3,776,503 A 12/1973 Boden et al.
- D273,445 S 4/1984 Lohman
- D291,630 S 9/1987 Chap
- D300,406 S 3/1989 Bordian
- D316,031 S 4/1991 Goodman et al.
- D322,361 S 12/1991 Goodman et al.
- D336,842 S 6/1993 Hampshire
- D339,058 S 9/1993 Greenhut et al.
- D342,889 S 1/1994 Adams
- D349,447 S 8/1994 Daniller
- D360,355 S 7/1995 Adams
- D360,572 S 7/1995 Adams
- D365,015 S * 12/1995 Avinger D8/373
- D377,309 S 1/1997 Hofman
- D377,896 S 2/1997 Mesna et al.
- D394,601 S 5/1998 Mesna et al.
- 5,810,304 A * 9/1998 Lehrman 248/215
- D429,999 S 8/2000 Swolsky et al.
- 6,152,313 A 11/2000 Klein et al.
- D443,503 S 6/2001 Harvey

- D444,053 S 6/2001 Harvey
- D444,377 S 7/2001 Harvey
- D445,669 S 7/2001 Goodman et al.
- D455,947 S 4/2002 Goodman et al.
- D456,695 S 5/2002 Goodman et al.
- D465,724 S * 11/2002 Goodman et al. D8/367
- D467,791 S 12/2002 Goodman et al.
- D468,624 S 1/2003 Goodman et al.
- D482,600 S 11/2003 Dretzka
- D483,655 S 12/2003 Dretzka
- D491,791 S 6/2004 Snell
- D494,047 S 8/2004 Klein et al.
- D516,326 S 3/2006 Goodman et al.
- D540,659 S 4/2007 Schmidt
- D557,120 S 12/2007 Snell
- D557,124 S * 12/2007 Martinez et al. D8/380
- D563,109 S 3/2008 Krumpel et al.
- D564,243 S 3/2008 Zhang

* cited by examiner

Primary Examiner—Holly H Baynham

(74) *Attorney, Agent, or Firm*—Pearne & Gordon LLP

(57) **CLAIM**

The ornamental design for an over-the-cabinet-drawer hook, as shown and described.

DESCRIPTION

FIG. 1 is a perspective view of an over-the-cabinet drawer hook in accordance with our new design;

FIG. 2 is a front elevational view thereof;

FIG. 3 is a side elevational view thereof;

FIG. 4 is a top plan view thereof;

FIG. 5 is a bottom plan view thereof; and,

FIG. 6 is a rear elevational view thereof.

The dotted-line disclosure of elements in the views is for illustrative purposes only and forms no part of the claimed design.

1 Claim, 2 Drawing Sheets

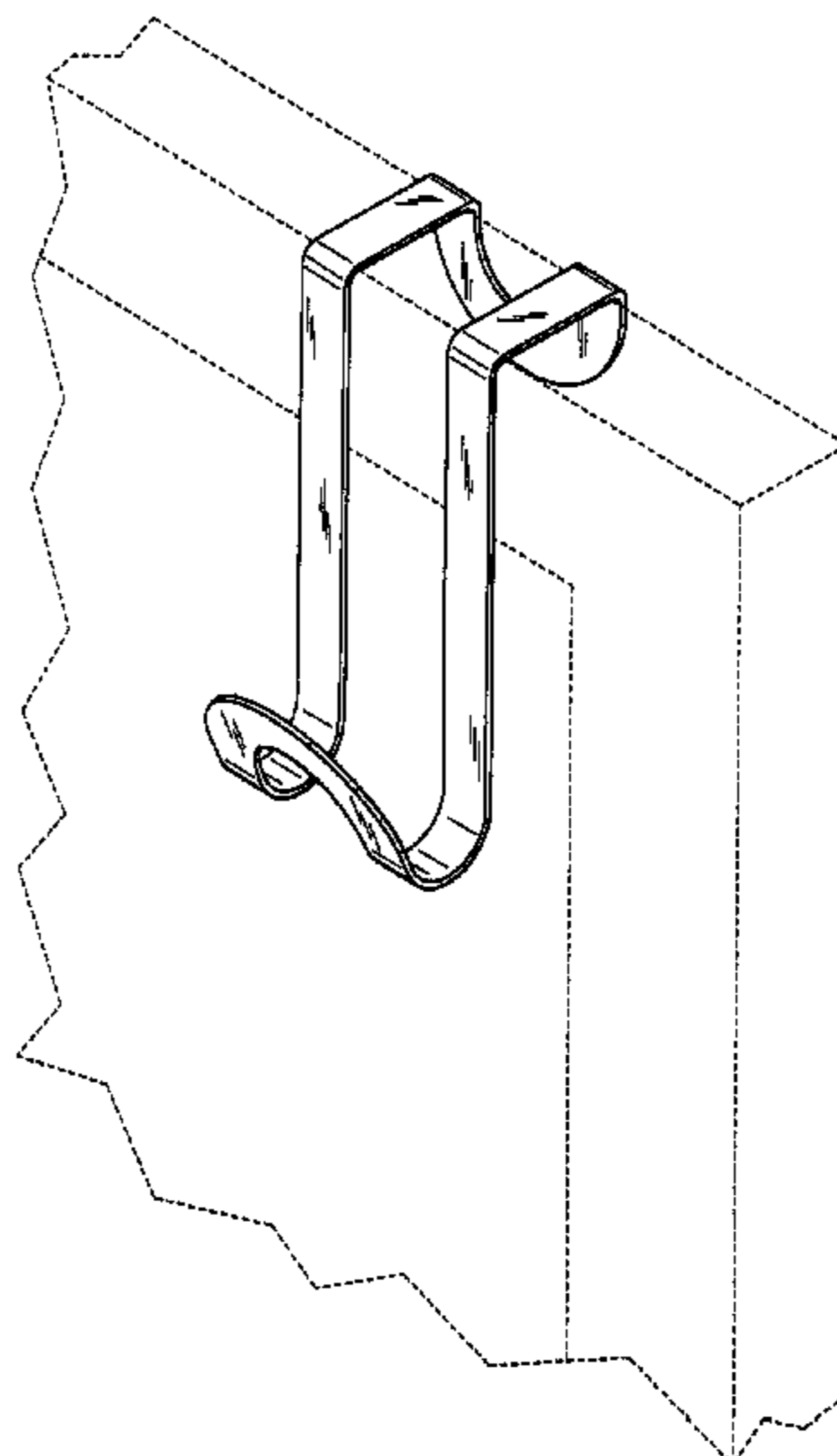
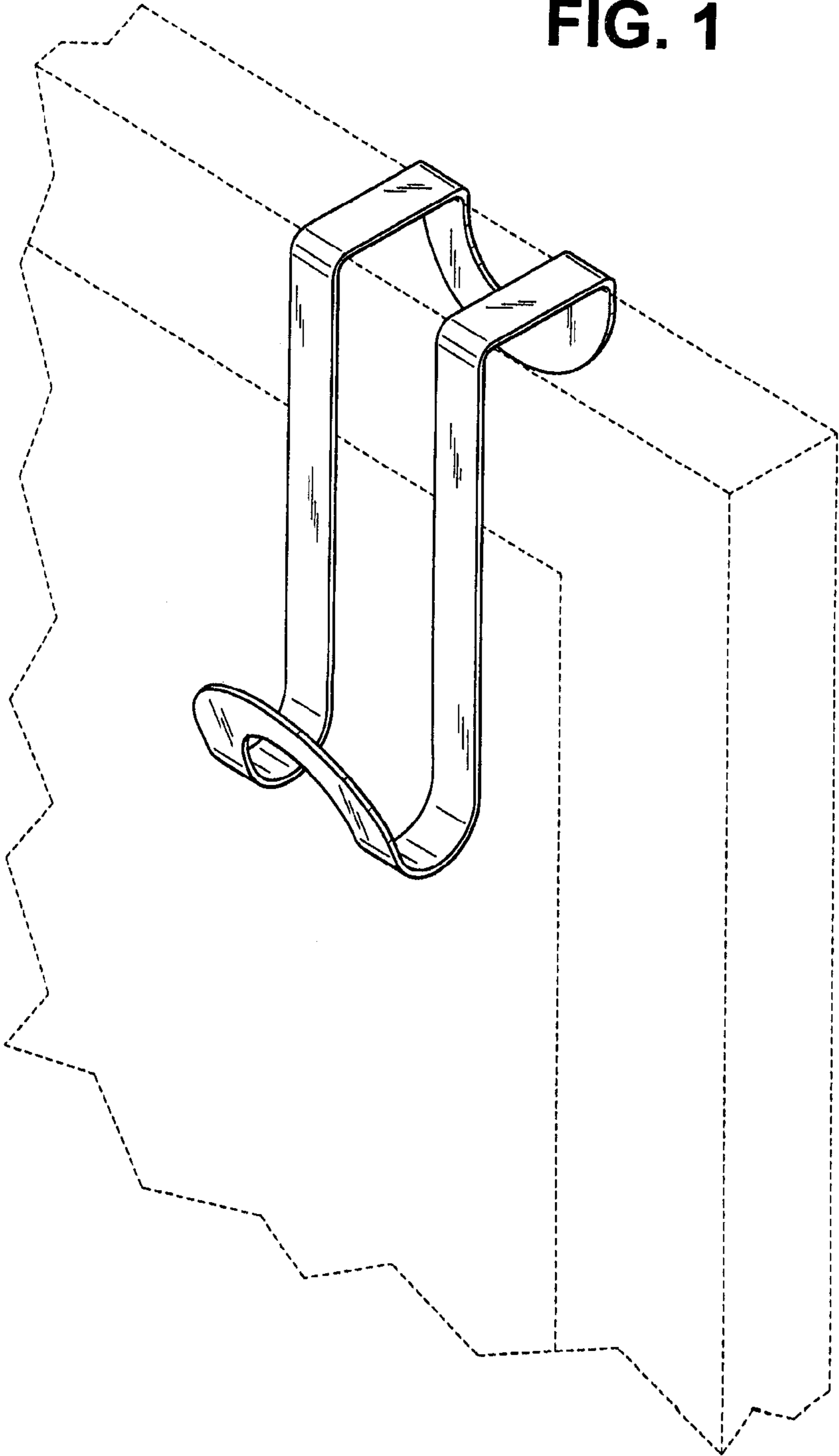


FIG. 1



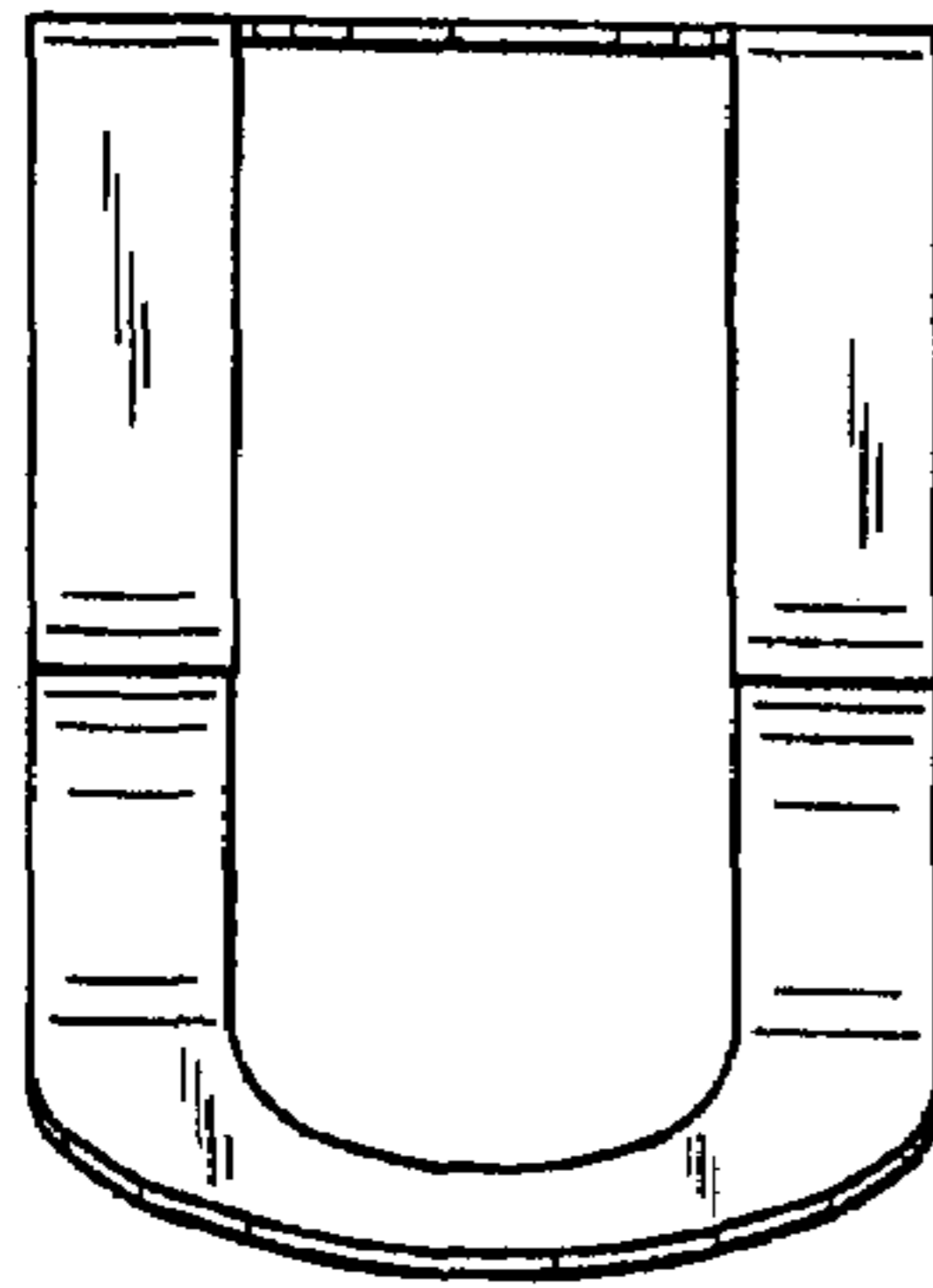


FIG. 4

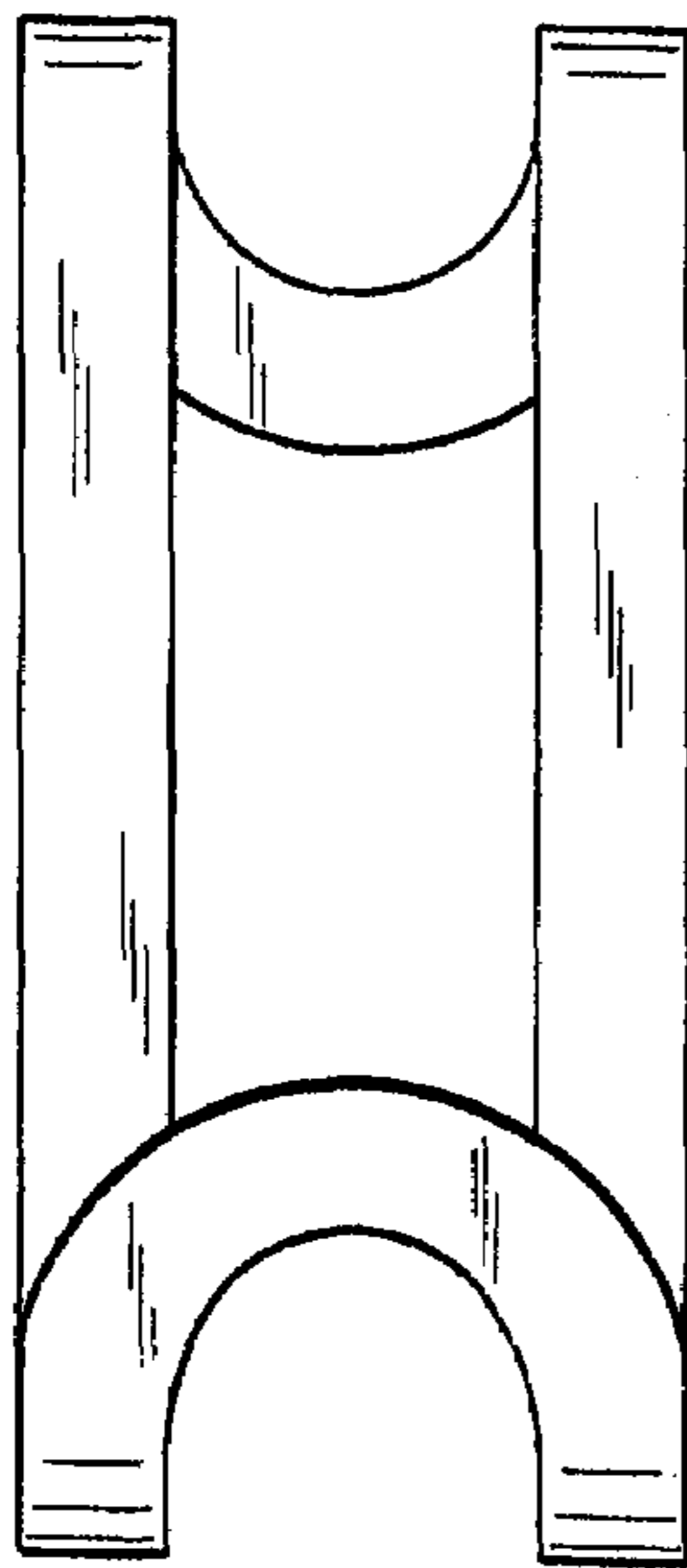


FIG. 2

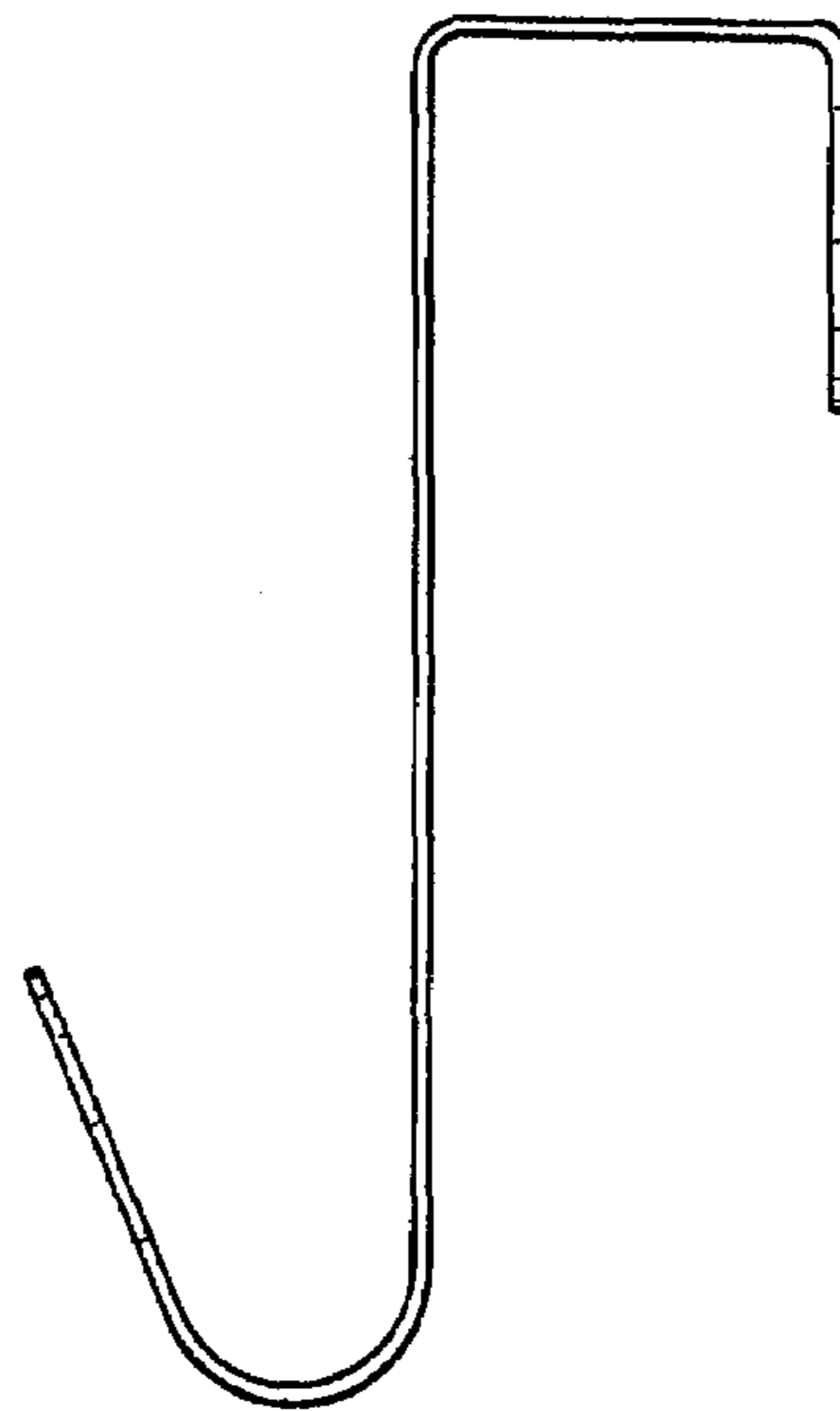


FIG. 3

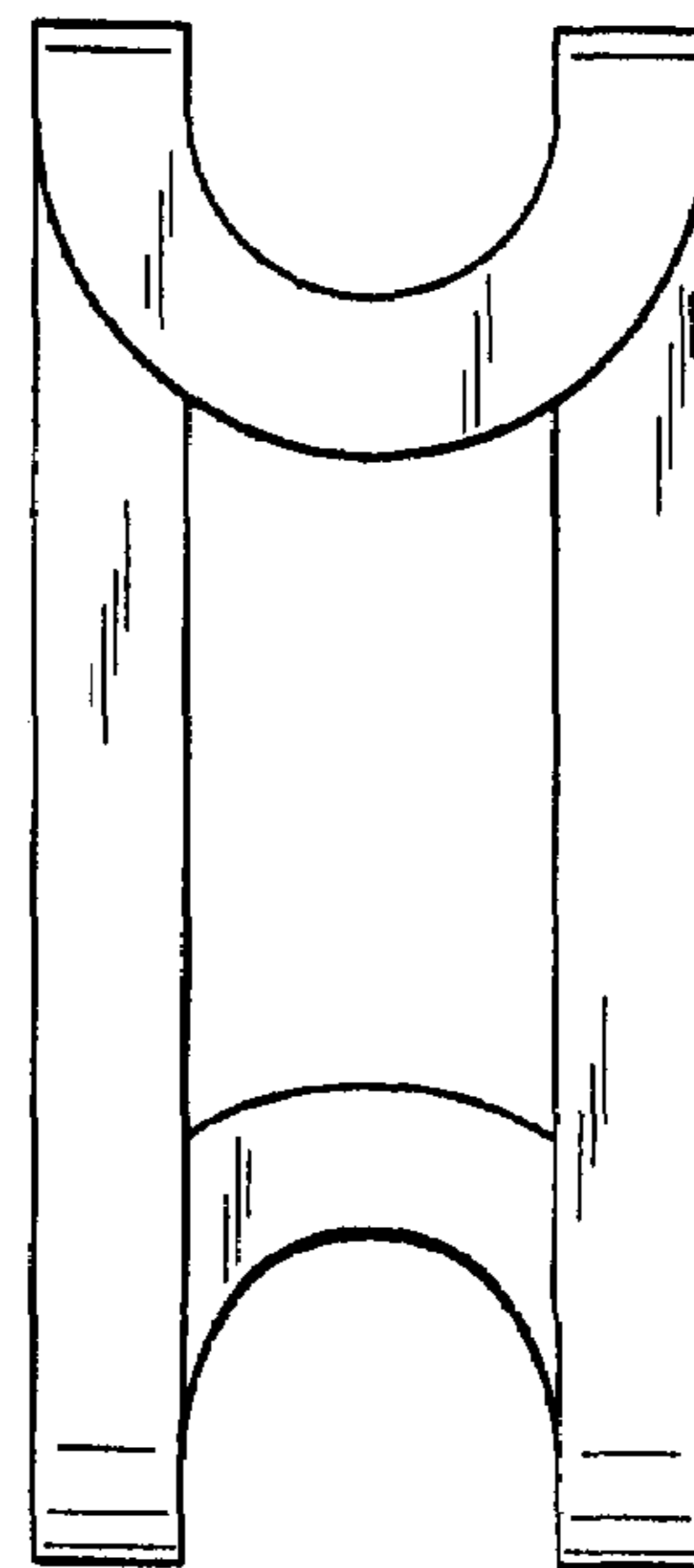


FIG. 6

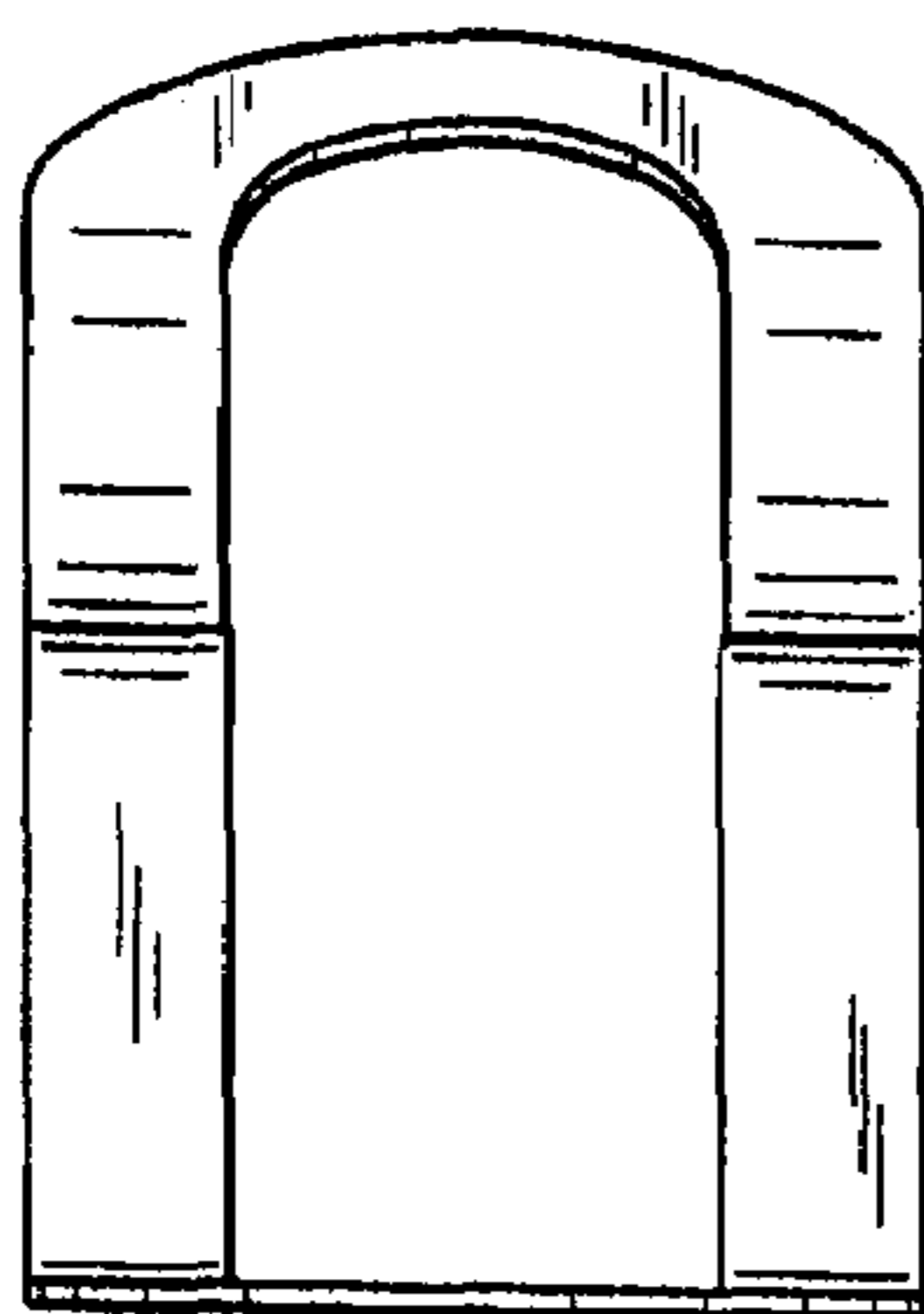


FIG. 5