



US00D613148S

(12) **United States Design Patent**  
**Rand**

(10) **Patent No.:** **US D613,148 S**

(45) **Date of Patent:** **\*\* Apr. 6, 2010**

(54) **GUITAR KEY**

(76) **Inventor:** **David W. Rand**, 12027 St. Vrain Rd.,  
Longmont, CO (US) 80501

(\*\*) **Term:** **14 Years**

(21) **Appl. No.:** **29/305,026**

(22) **Filed:** **Mar. 12, 2008**

(51) **LOC (9) Cl.** ..... **08-07**

(52) **U.S. Cl.** ..... **D8/348**

(58) **Field of Classification Search** ..... D8/347,  
D8/348; 70/347, 271, 278.2, 336, 344-348,  
70/357, 382, 393, 429, 469, 448; D17/14,  
D17/20, 21; 84/173, 209, 298, 307

See application file for complete search history.

(56) **References Cited**

**U.S. PATENT DOCUMENTS**

2,824,478	A	2/1958	Shultz	
2,903,935	A	9/1959	Raze	
D220,650	S	5/1971	Poznanovich	
D225,301	S *	12/1972	Uliano	D8/348
D286,400	S	10/1986	Moller	
D286,413	S	10/1986	DeFrancesco	
D293,730	S	1/1988	Blatnick	
D329,668	S	9/1992	Connelly	
D386,373	S	11/1997	Weinmuller	
D397,027	S *	8/1998	Brown	D8/348
D418,859	S *	1/2000	Herbold	D17/20
6,184,804	B1 *	2/2001	Harrison	341/22
D449,500	S	10/2001	Kelleghan	

D461,701	S *	8/2002	Kang	D8/348
6,473,022	B1 *	10/2002	Wu	341/176
D492,186	S *	6/2004	Howard	D8/347
D501,395	S	2/2005	Kelleghan	
D544,767	S	6/2007	Kelleghan	
D566,524	S *	4/2008	Daas	D8/347
D586,646	S *	2/2009	Rand	D8/348

\* cited by examiner

*Primary Examiner*—Prabhakar Deshmukh

(74) *Attorney, Agent, or Firm*—Patent Law Offices of Rick Martin, P.C.; Bennett Sigmond

(57) **CLAIM**

The ornamental design for a guitar key, as shown and described.

**DESCRIPTION**

FIG. 1 is a perspective view of a guitar key showing my new design;

FIG. 2 is a top plan view thereof;

FIG. 3 is a bottom plan view thereof;

FIG. 4 is a left side elevational view thereof;

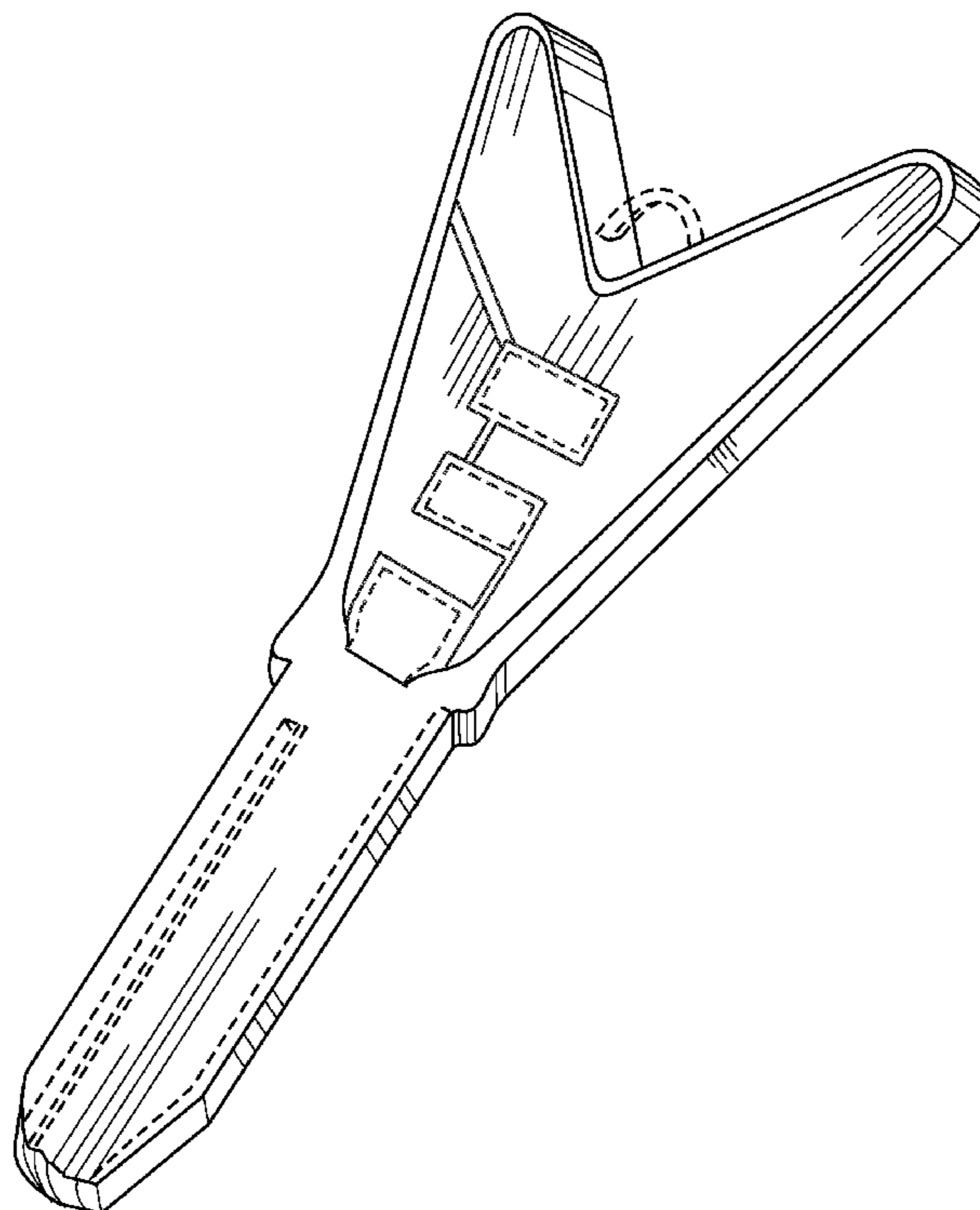
FIG. 5 is a right side elevational view thereof;

FIG. 6 is a front elevational view thereof; and,

FIG. 7 is a rear elevational view thereof.

Portions of the guitar key shown in broken lines form no part of the claimed design.

**1 Claim, 4 Drawing Sheets**



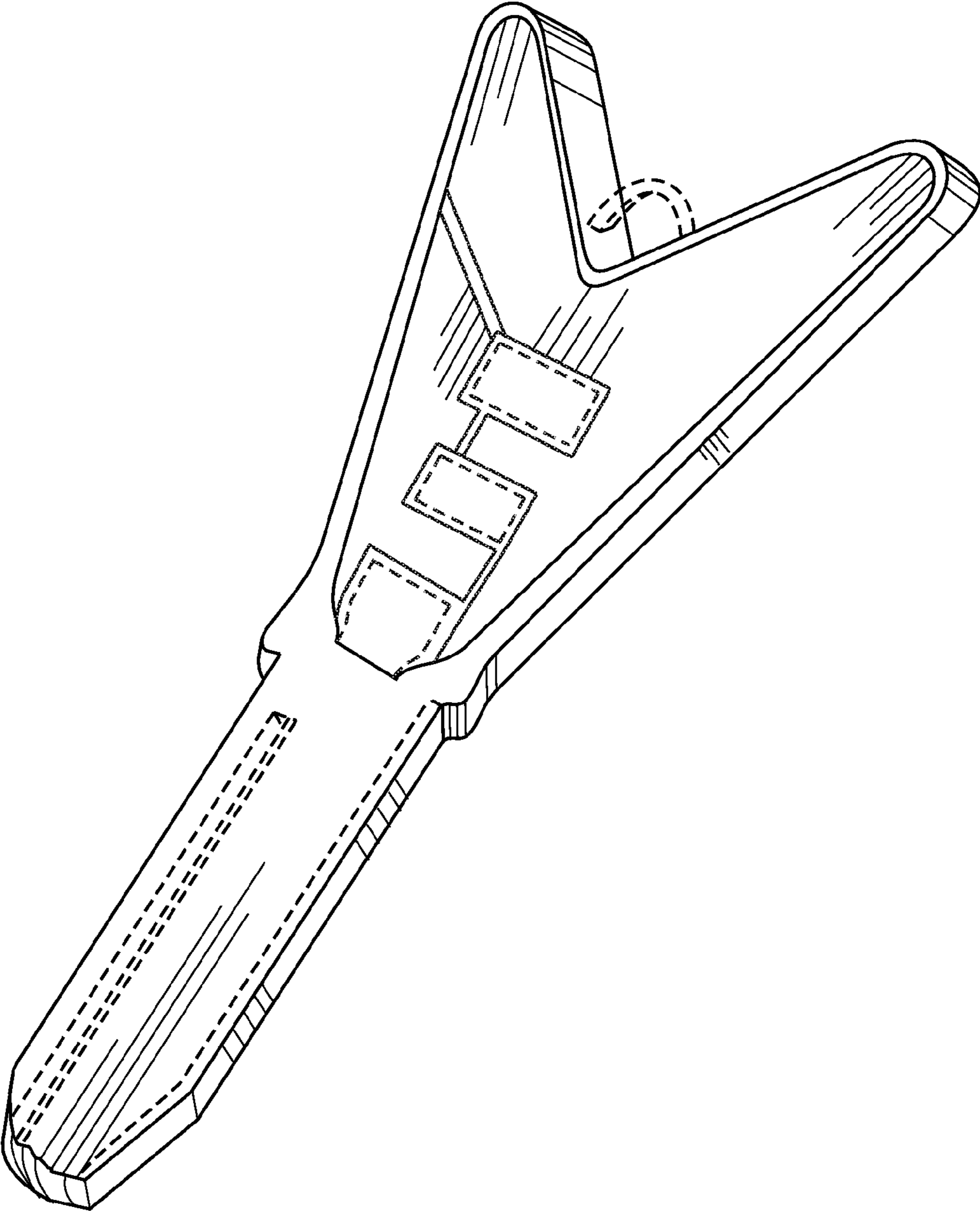


FIG. 1

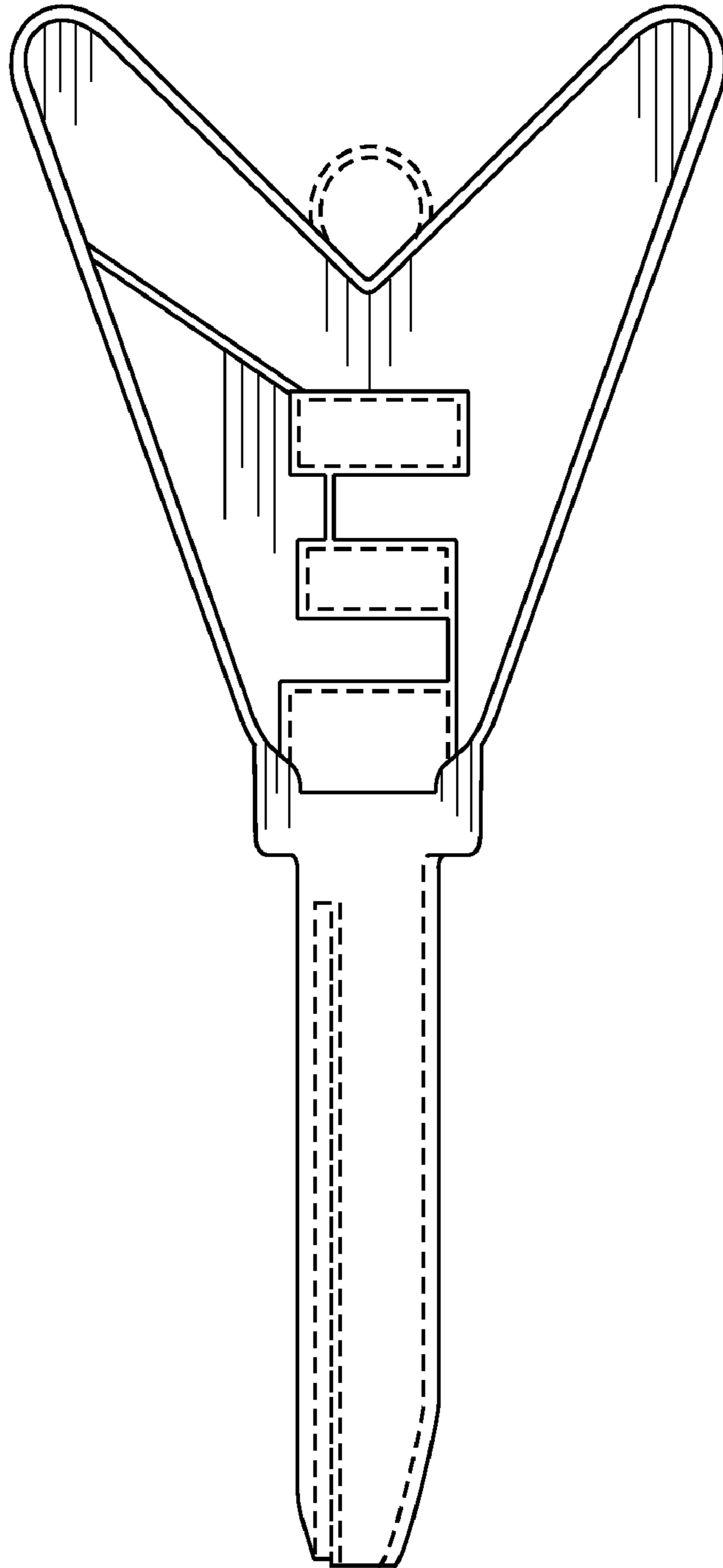


FIG. 2

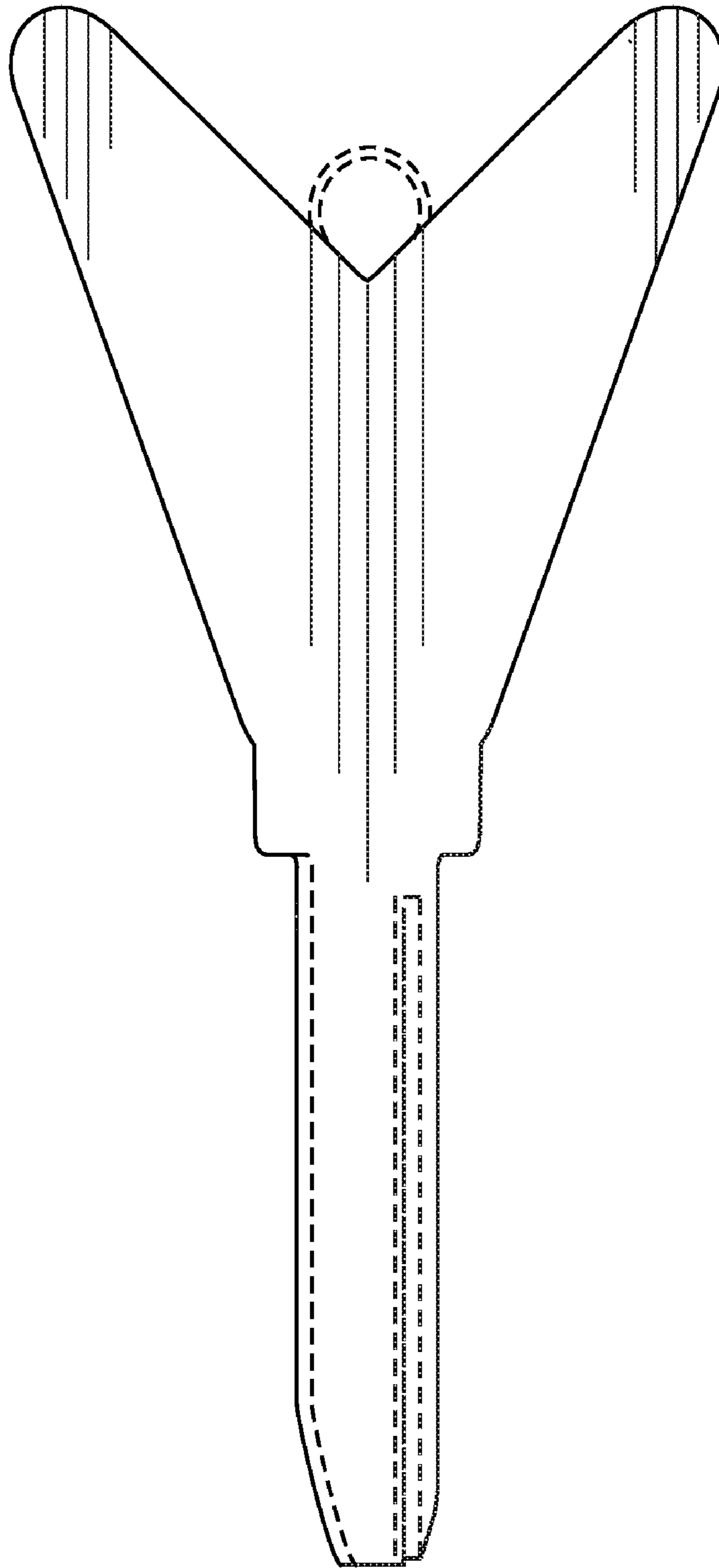


FIG. 3



FIG. 4



FIG. 5



FIG. 6



FIG. 7