



US00D613147S

(12) **United States Design Patent**  
**Ito**

(10) **Patent No.:** **US D613,147 S**  
(45) **Date of Patent:** **\*\* Apr. 6, 2010**

(54) **SLIDER KNOB**

(75) Inventor: **Masafumi Ito**, Hamamatsu (JP)

(73) Assignee: **Yamaha Corporation**, Hamamatsu-shi (JP)

(\*\*) Term: **14 Years**

(21) Appl. No.: **29/320,297**

(22) Filed: **Jun. 25, 2008**

(30) **Foreign Application Priority Data**

Feb. 13, 2008 (JP) ..... 2008-003063

(51) **LOC (9) Cl.** ..... **08-06**

(52) **U.S. Cl.** ..... **D8/300**

(58) **Field of Classification Search** ..... D8/300, D8/301, 302, 354, 358, 338, 330, DIG. 2, D8/343; 292/67, 163, 175, DIG. 47; D14/162, D14/168, 169, 188, 505, 217, 511; 49/161, 49/181, 188, 413, 445; D13/163, 174  
See application file for complete search history.

(56) **References Cited**

**U.S. PATENT DOCUMENTS**

D187,224	S	*	2/1960	Jakeway	.....	D8/300
D187,532	S	*	3/1960	Jakeway	.....	D8/300
4,553,353	A	*	11/1985	Simpson	.....	49/161
D317,918	S	*	7/1991	Ito et al.	.....	D14/217
D341,568	S	*	11/1993	Sorenson et al.	.....	D13/174
D343,348	S	*	1/1994	Ito et al.	.....	D8/312
D350,355	S	*	9/1994	Ito et al.	.....	D14/217
D380,370	S	*	7/1997	Carlson et al.	.....	D8/343
D402,984	S	*	12/1998	Ito et al.	.....	D14/162
5,996,283	A	*	12/1999	Maier	.....	49/181

D435,833	S	*	1/2001	Ito et al.	.....	D13/164
D436,347	S	*	1/2001	Ito et al.	.....	D13/164
D443,606	S	*	6/2001	Ito et al.	.....	D14/217
D468,286	S	*	1/2003	Takita et al.	.....	D14/167
D518,022	S	*	3/2006	Ishizaki	.....	D14/168
D519,469	S	*	4/2006	Sorenson	.....	D13/174
7,140,650	B2	*	11/2006	Berg	.....	292/67
D584,282	S	*	1/2009	Ishizaki et al.	.....	D14/188

\* cited by examiner

*Primary Examiner*—Paula Greene

(74) *Attorney, Agent, or Firm*—Sughrue Mion, PLLC

(57) **CLAIM**

The ornamental design for a slider knob, as shown and described.

**DESCRIPTION**

FIG. 1 is a first perspective view of the slider knob according to the present invention;

FIG. 2 is a second perspective view thereof;

FIG. 3 is a first end view thereof;

FIG. 4 is a top view thereof;

FIG. 5 is a second end view thereof;

FIG. 6 is a bottom view thereof;

FIG. 7 is a first side view thereof;

FIG. 8 is a second side view thereof; and,

FIG. 9 is a perspective view showing the slider knob in its environment of use, wherein the dashed lines show environmental structure only and form no part of the claimed design.

The broken lines shown in the drawings are for illustrative purposes only and form no part of the claimed design.

**1 Claim, 5 Drawing Sheets**

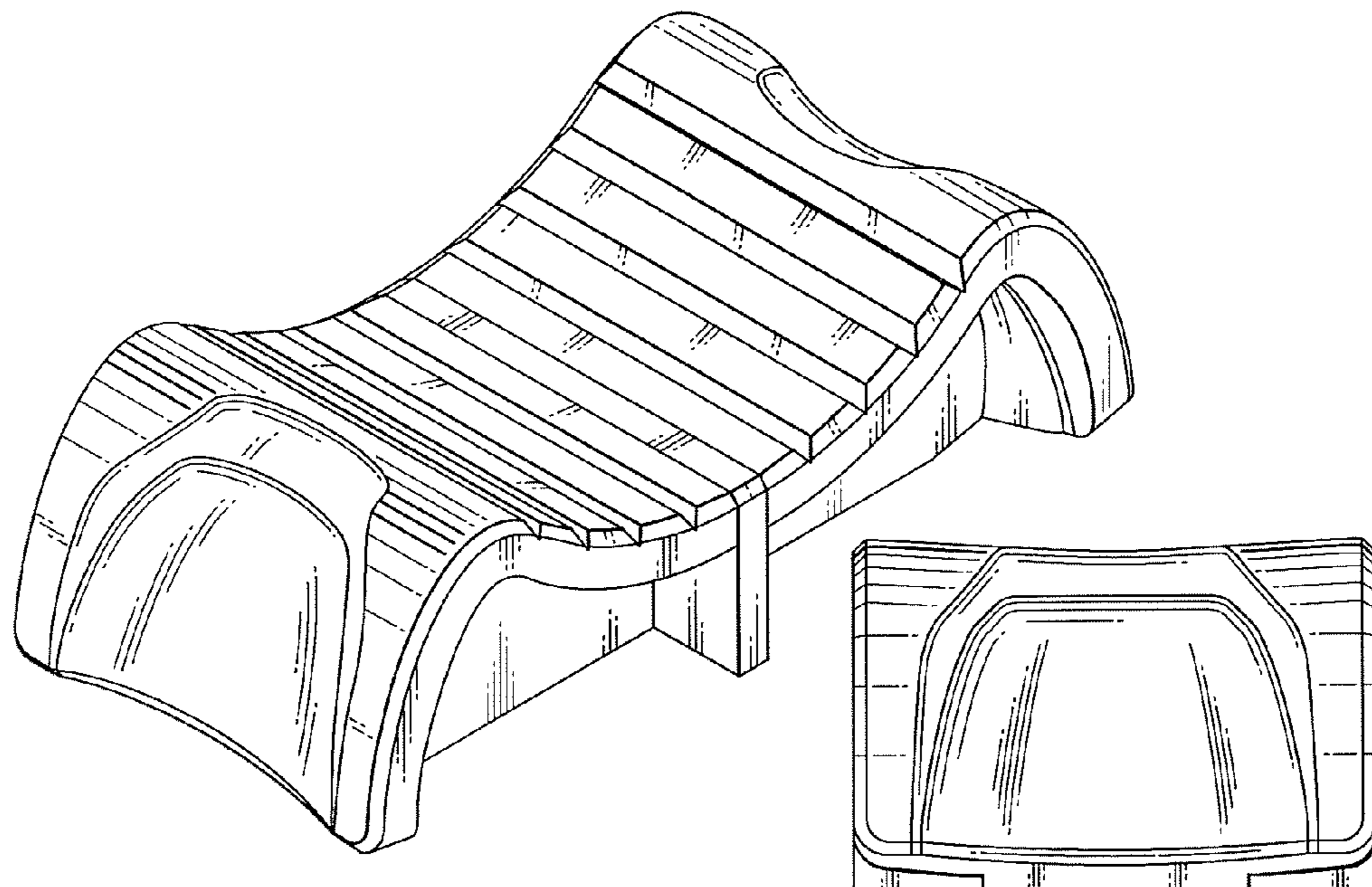


FIG.1

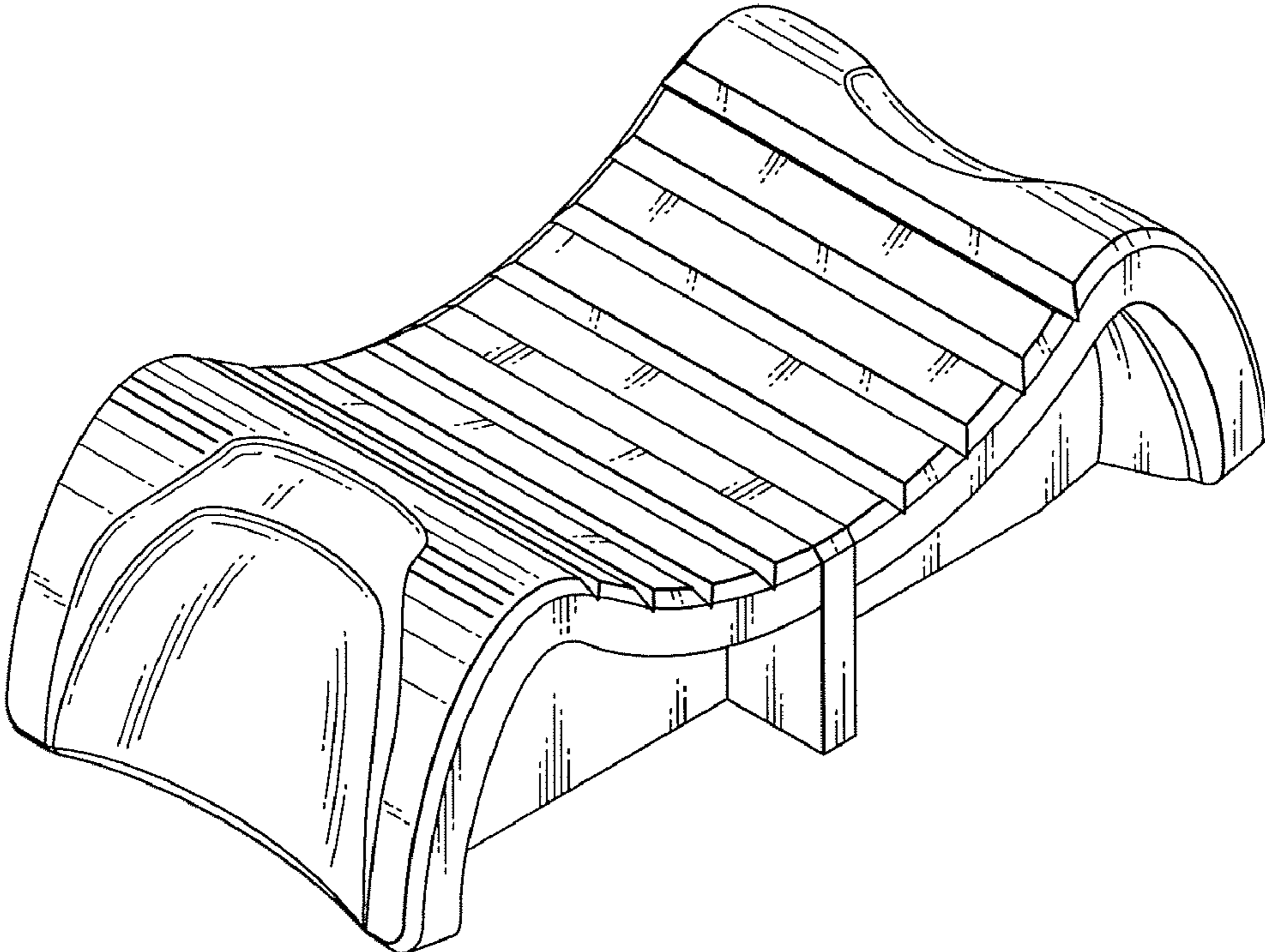


FIG.2

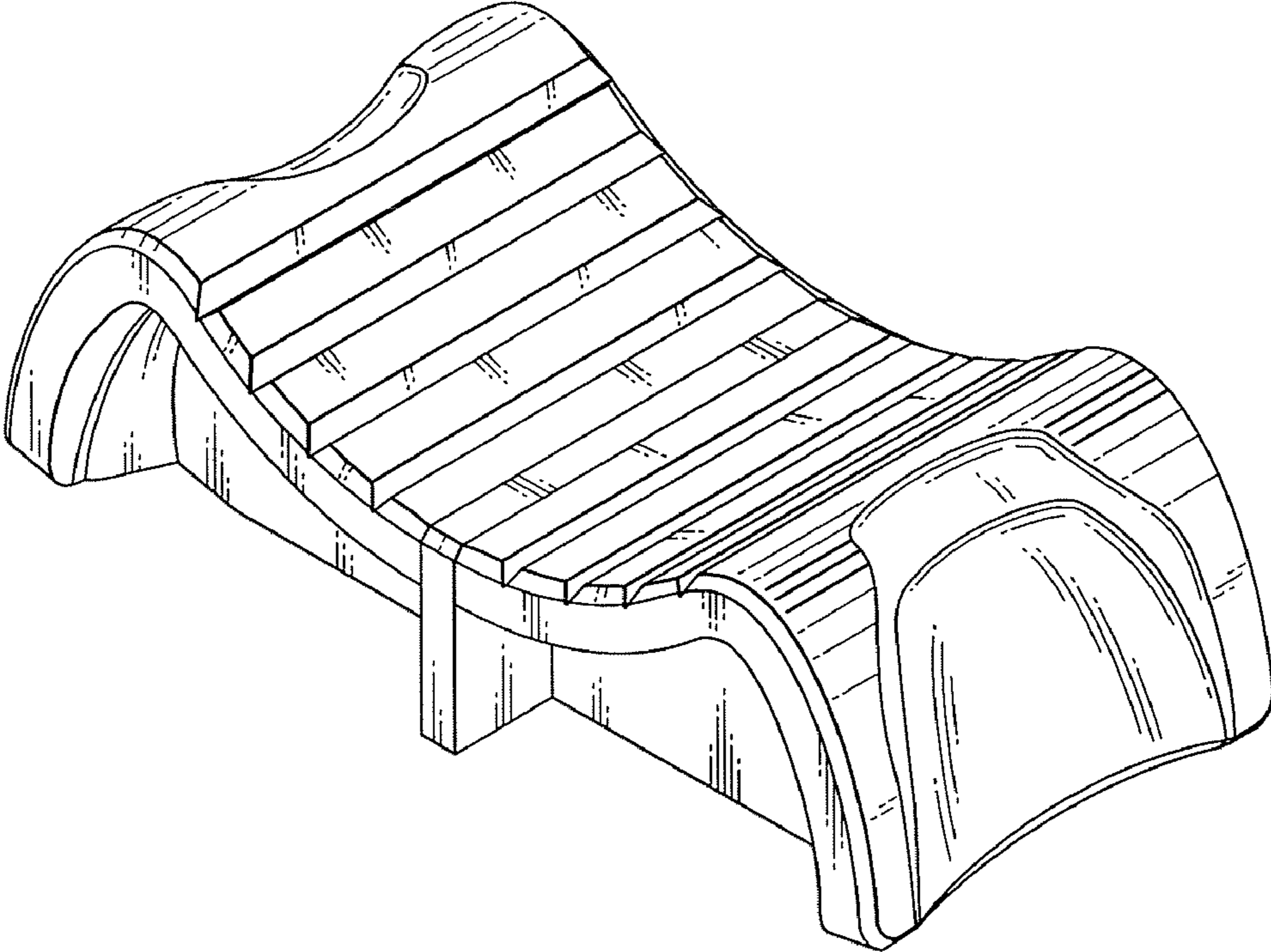


FIG.3

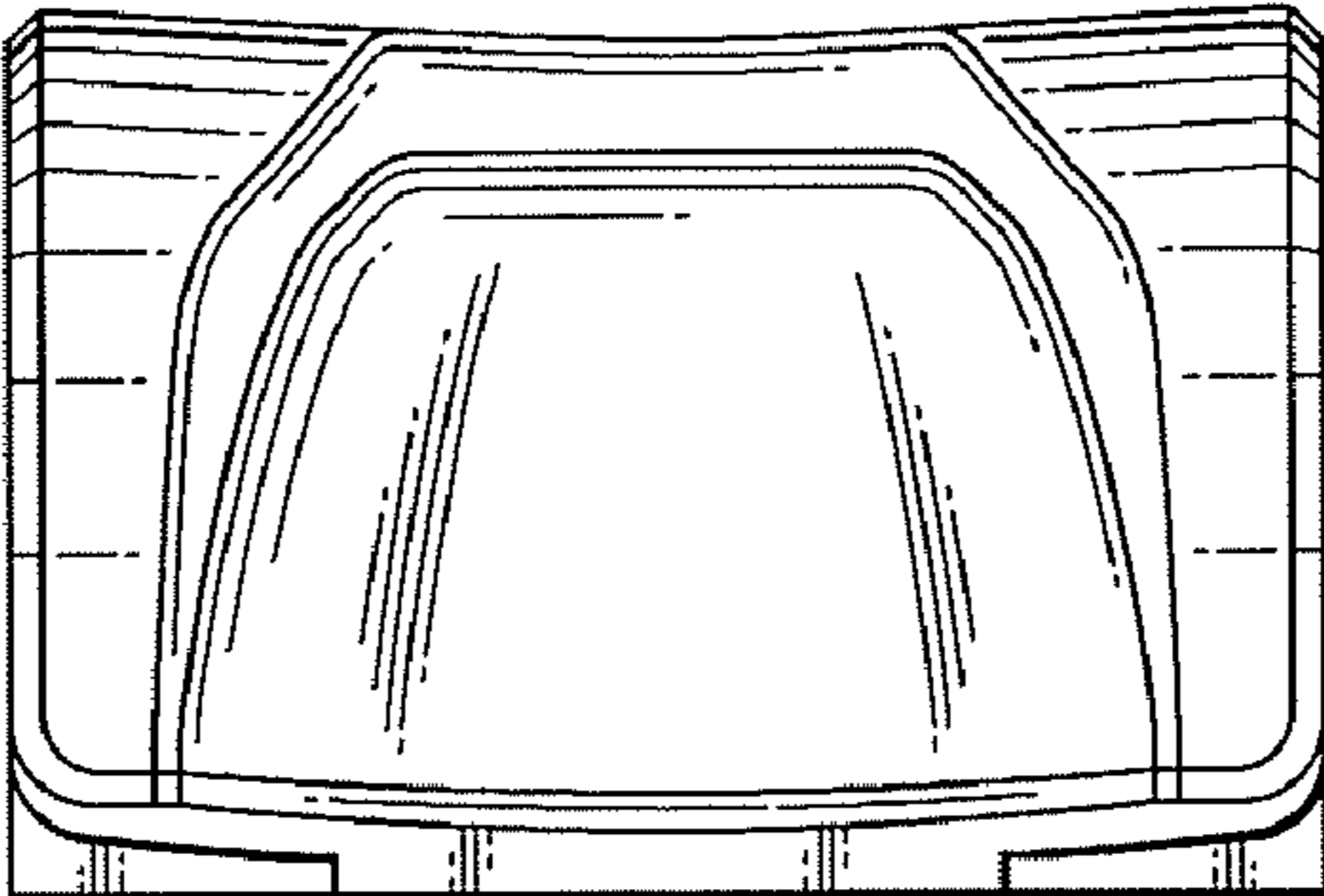


FIG.4

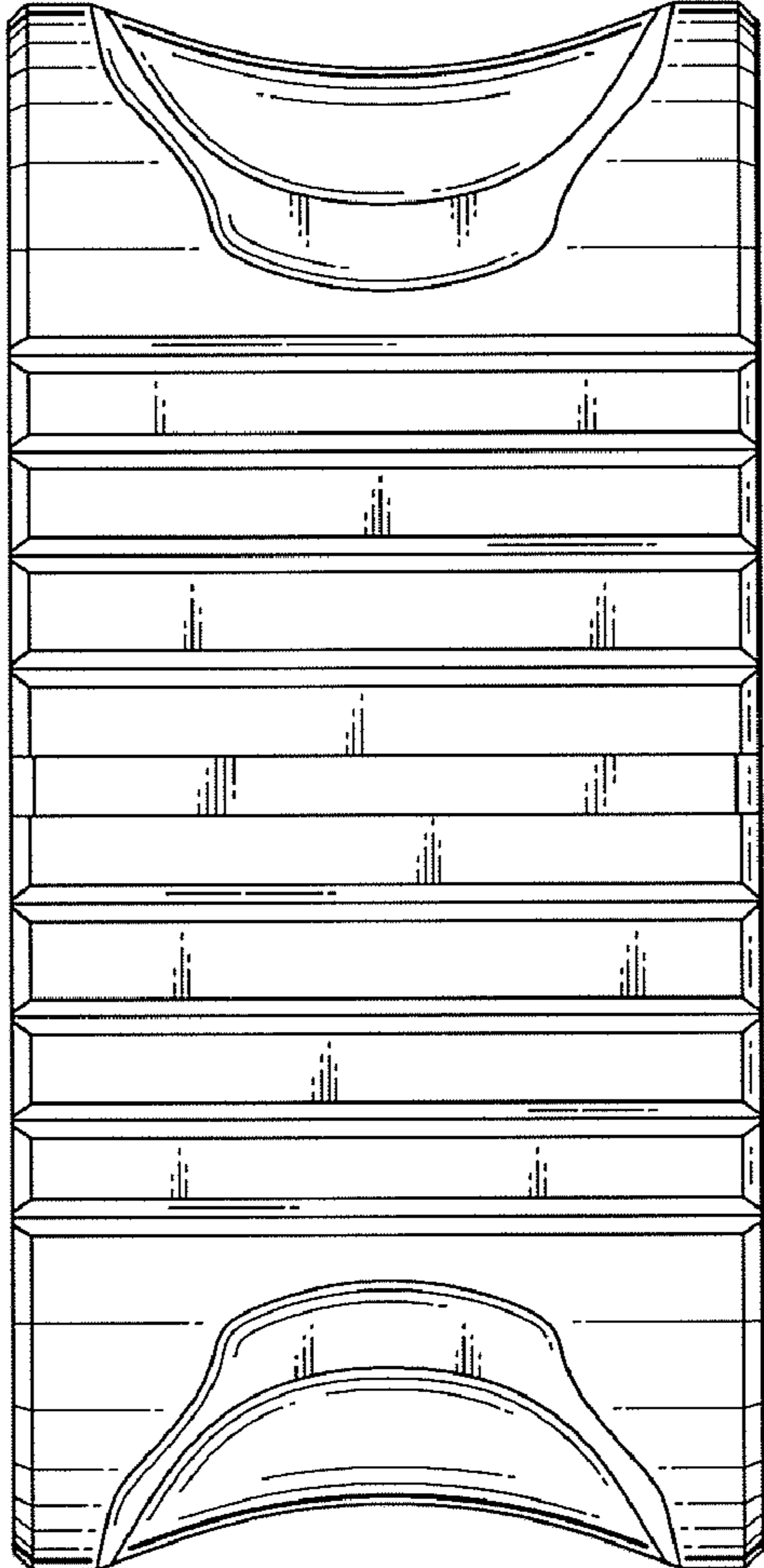


FIG.5

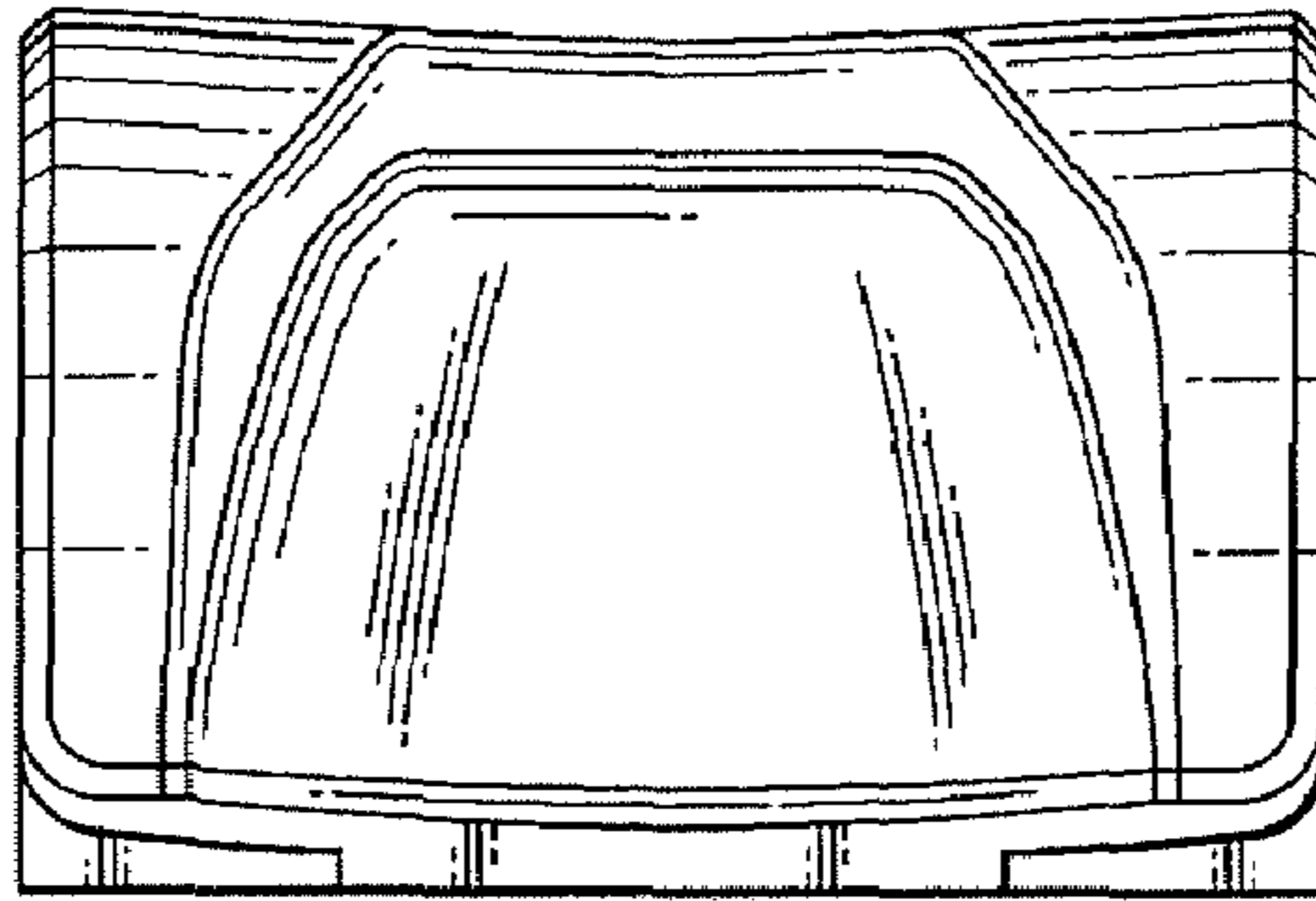


FIG.6

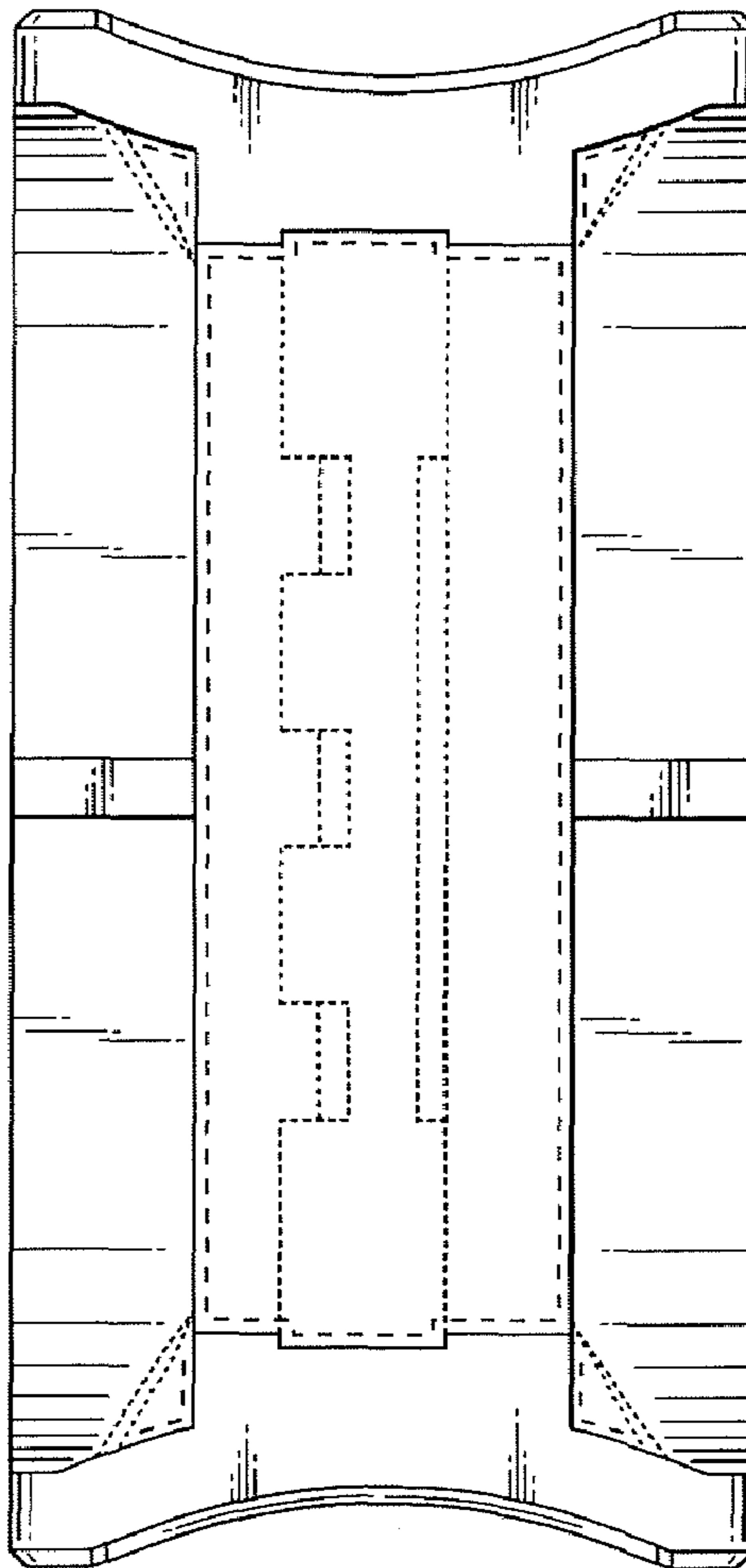


FIG.7

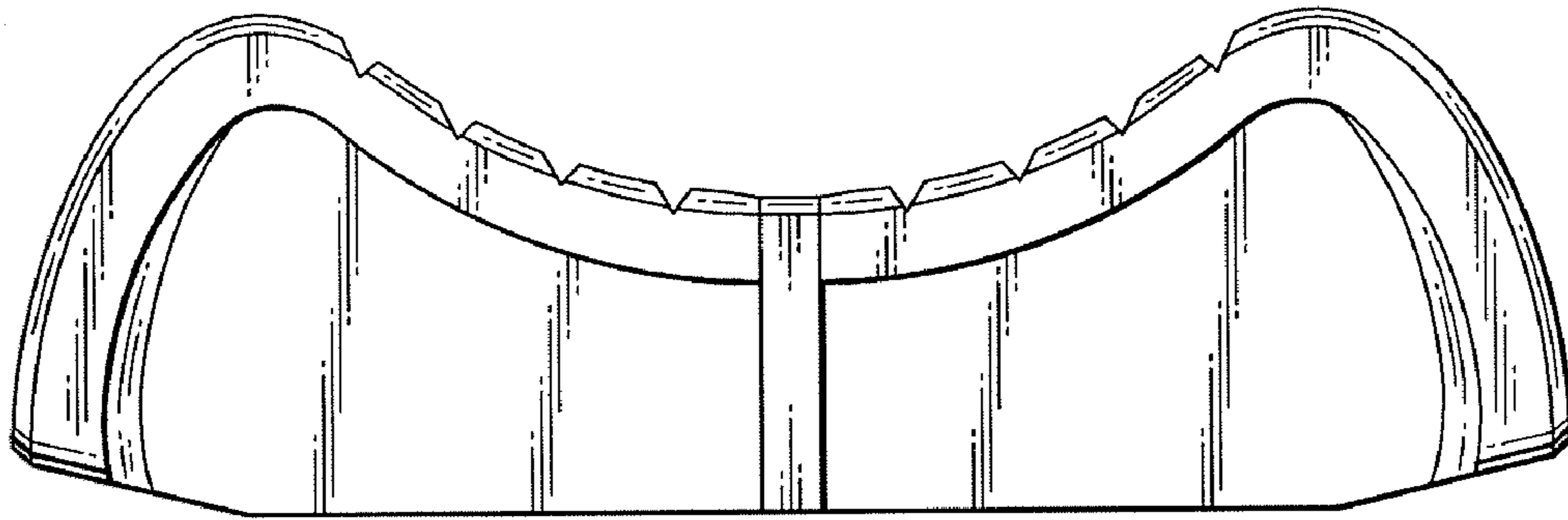


FIG.8

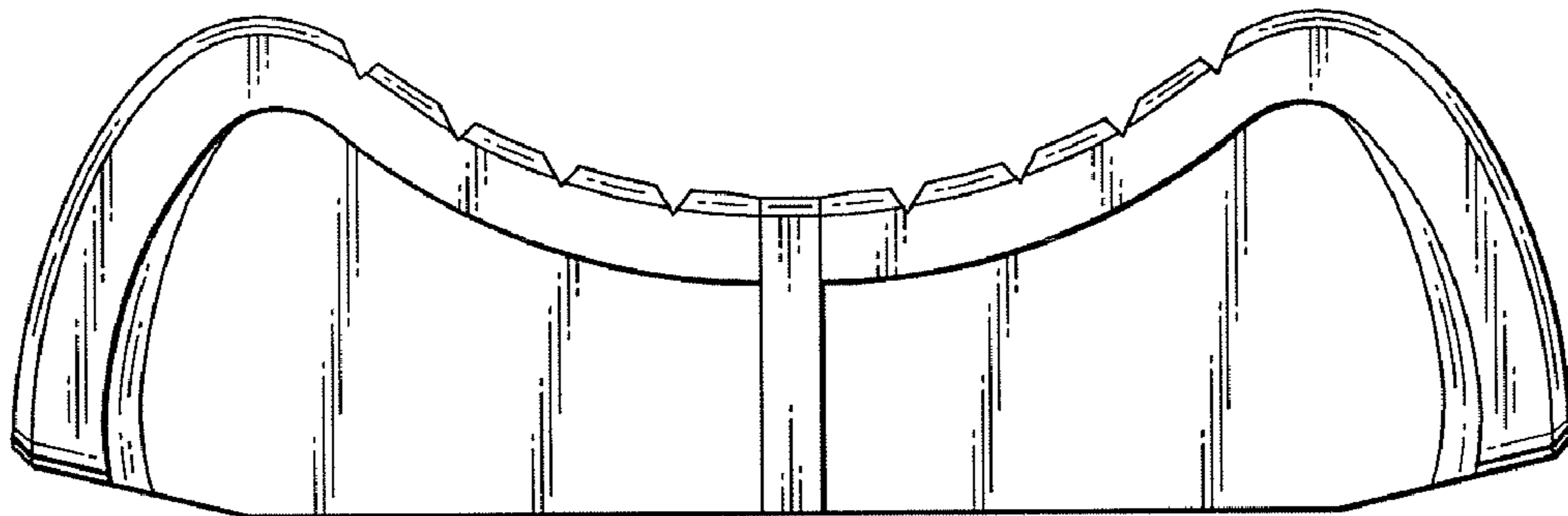


FIG.9

