



US00D613142S

(12) **United States Design Patent**
Aglassinger

(10) **Patent No.:** **US D613,142 S**

(45) **Date of Patent:** **** Apr. 6, 2010**

(54) **BATTERY PACK**

2008/0302550 A1* 12/2008 Erhardt 173/216

(75) Inventor: **Hans-Peter Aglassinger**, Esslingen (DE)

* cited by examiner

(73) Assignee: **Robert Bosch GmbH**, Stuttgart (DE)

Primary Examiner—Antoine D Davis

(74) *Attorney, Agent, or Firm*—Michael J. Striker

(**) Term: **14 Years**

(57) **CLAIM**

(21) Appl. No.: **29/335,852**

The ornamental design for a battery pack, as shown and described.

(22) Filed: **Apr. 23, 2009**

Related U.S. Application Data

DESCRIPTION

(62) Division of application No. 29/266,953, filed on Oct. 2, 2006, now Pat. No. Des. 592,926.

FIG. 1 is a perspective view of a power drill battery pack showing my new design;

(30) **Foreign Application Priority Data**

FIG. 2 is a bottom view thereof;

May 22, 2006 (EM) 000533419

FIG. 3 is a top view thereof;

(51) **LOC (9) Cl.** **08-05**

FIG. 4 is a front view thereof;

(52) **U.S. Cl.** **D8/70**

FIG. 5 is a rear view thereof;

(58) **Field of Classification Search** D8/14.1,
D8/61-70; 81/57.11, 429, 454-456, 469,
81/489; 173/13, 104, 114, 168-171, 178,
173/201, 211, 213, 217; 408/20, 124, 125,
408/234, 241 R; 451/358; 310/50; 227/8,
227/113, 114, 120, 130, 136, 142

FIG. 6 is a side view thereof;

See application file for complete search history.

FIG. 7 is the opposite side view of FIG. 6 thereof.

(56) **References Cited**

FIG. 8 is a perspective view of a first alternate embodiment of my new design for a battery pack;

U.S. PATENT DOCUMENTS

D581,762 S * 12/2008 Aglassinger D8/68

FIG. 9 is a top view thereof;

D589,317 S * 3/2009 Okuda D8/68

FIG. 10 is a bottom view thereof;

7,537,064 B2 * 5/2009 Milbourne et al. 173/47

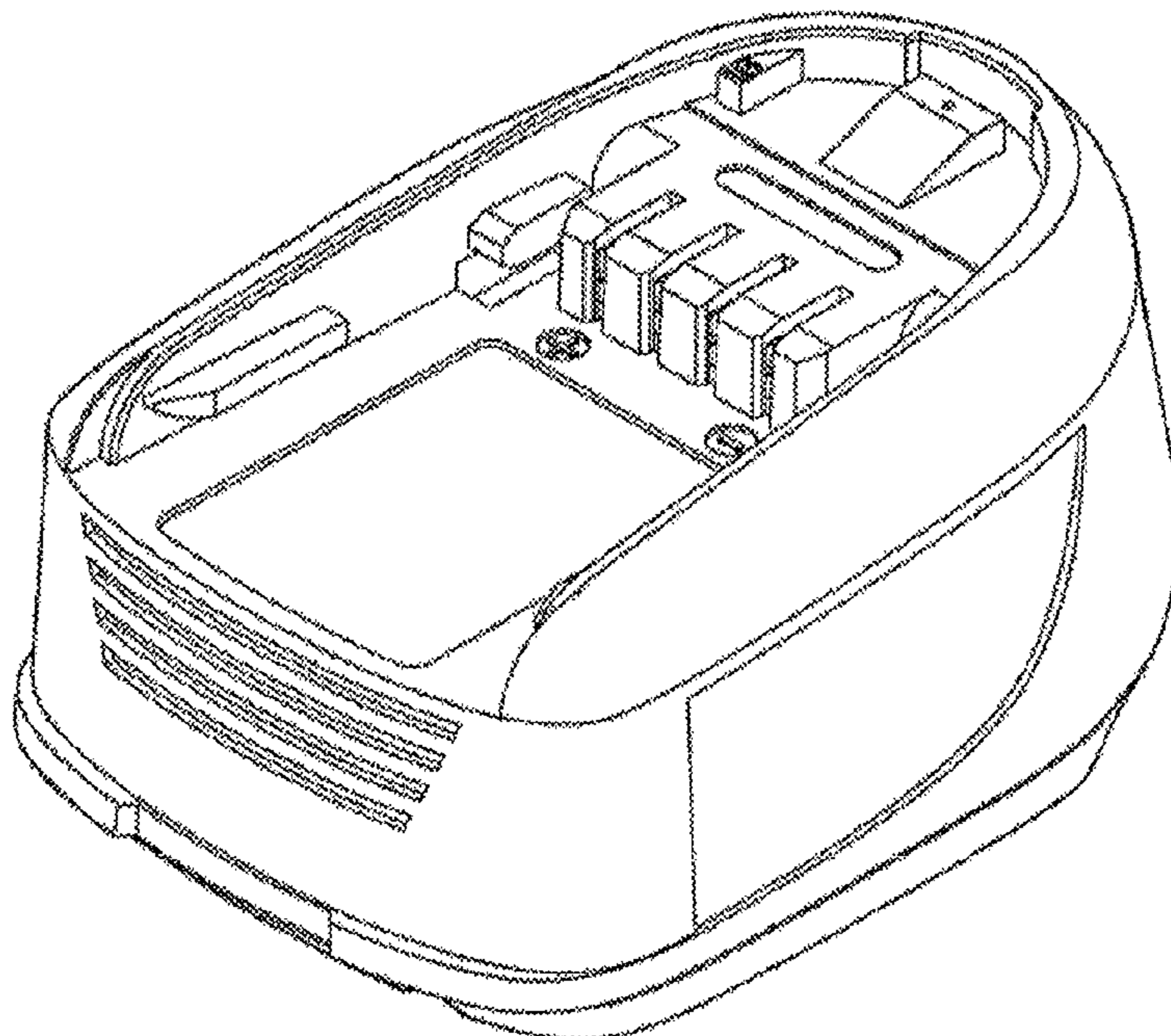
FIG. 11 is a rear view thereof;

FIG. 12 is a front view thereof;

FIG. 13 is a side view thereof; and,

FIG. 14 is the opposite side view thereof.

1 Claim, 10 Drawing Sheets



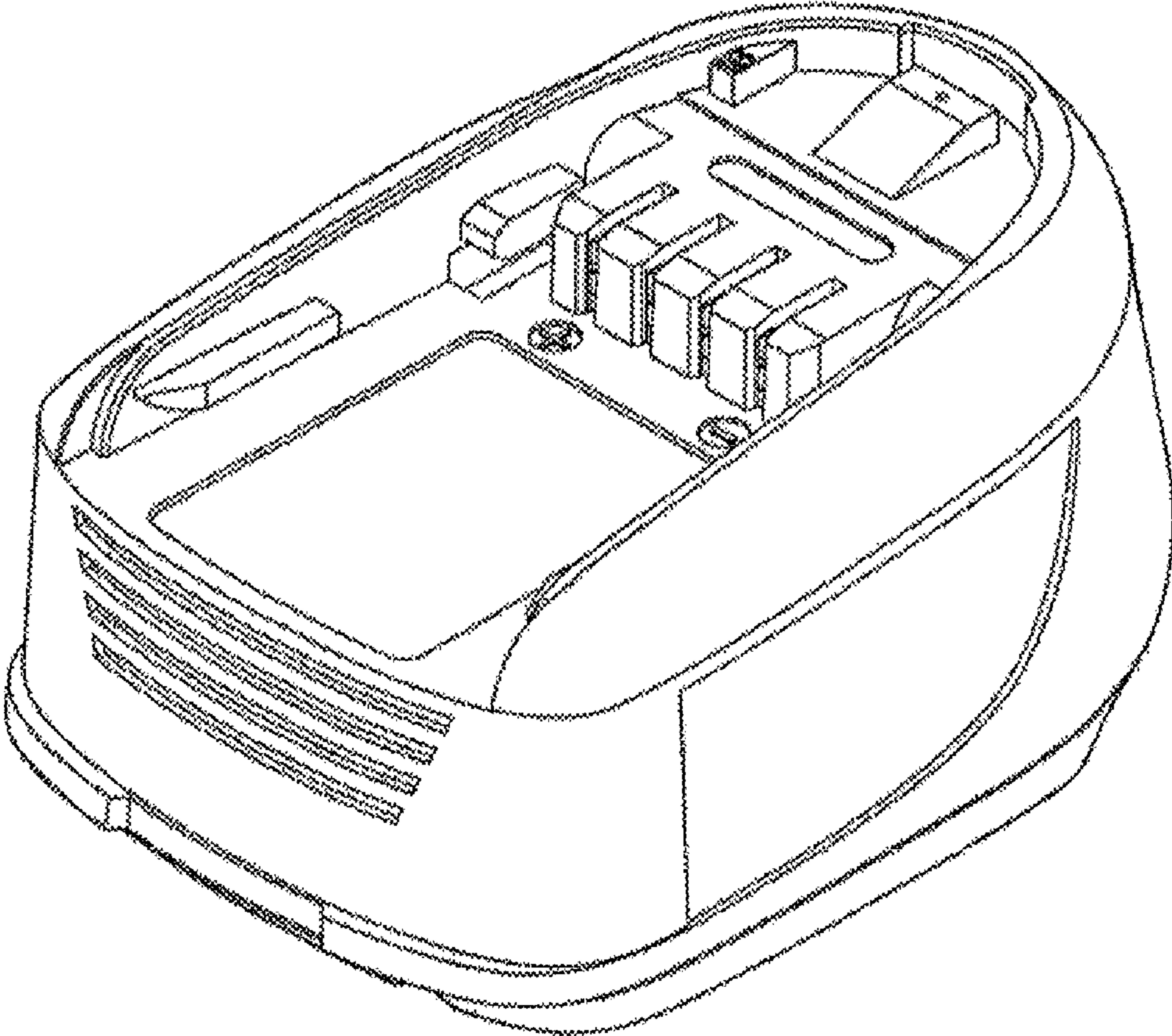


FIG. 1

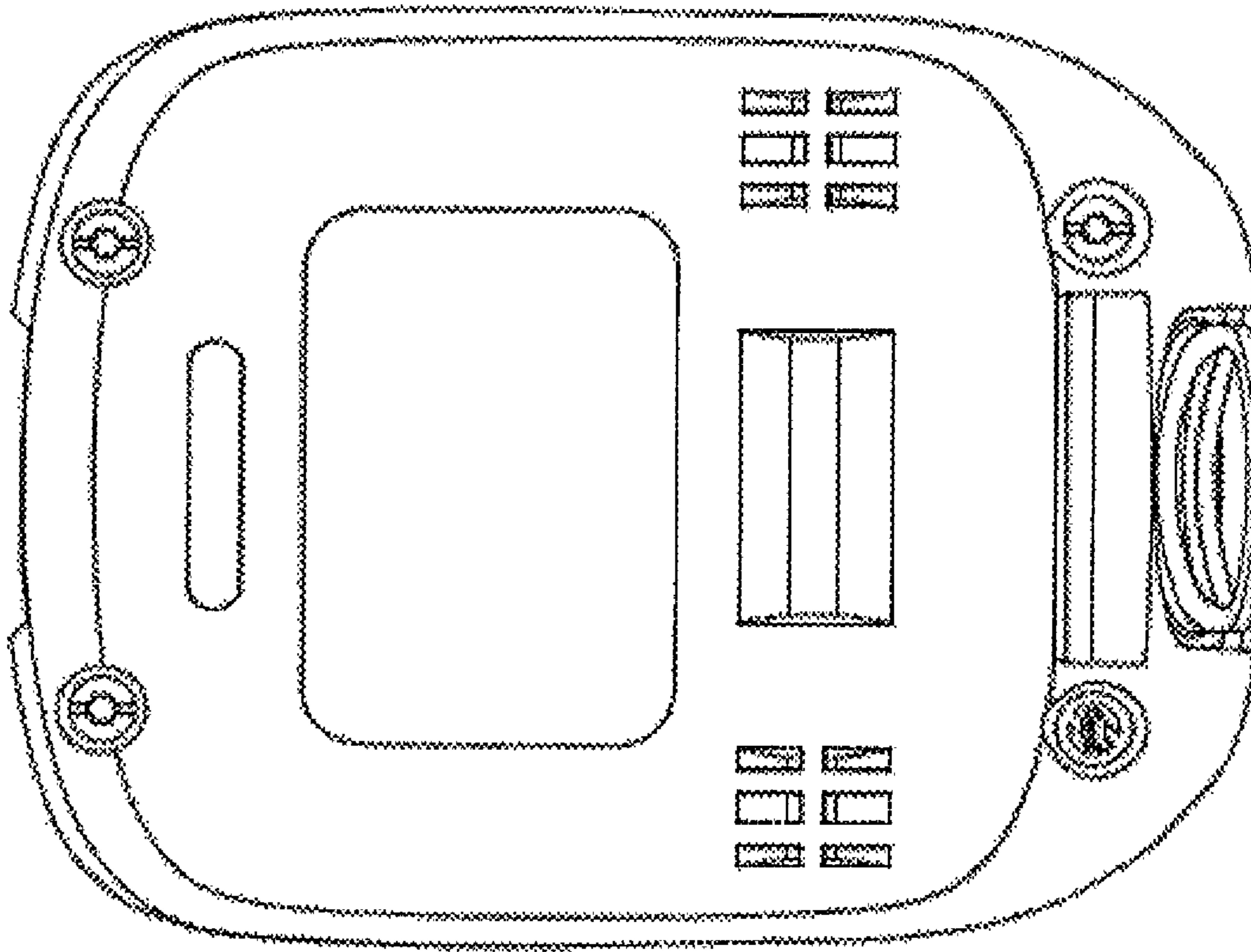


FIG. 2

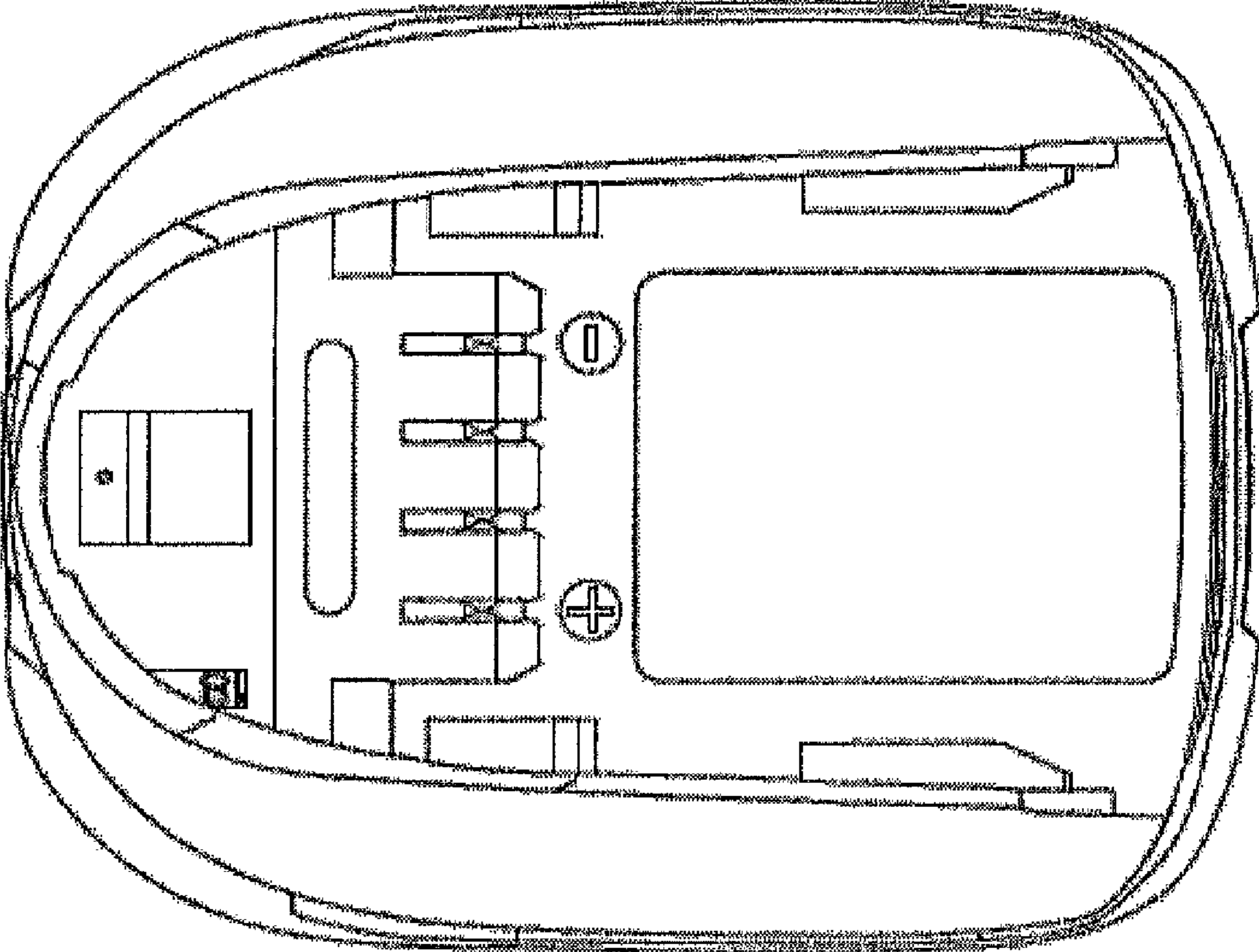


FIG. 3

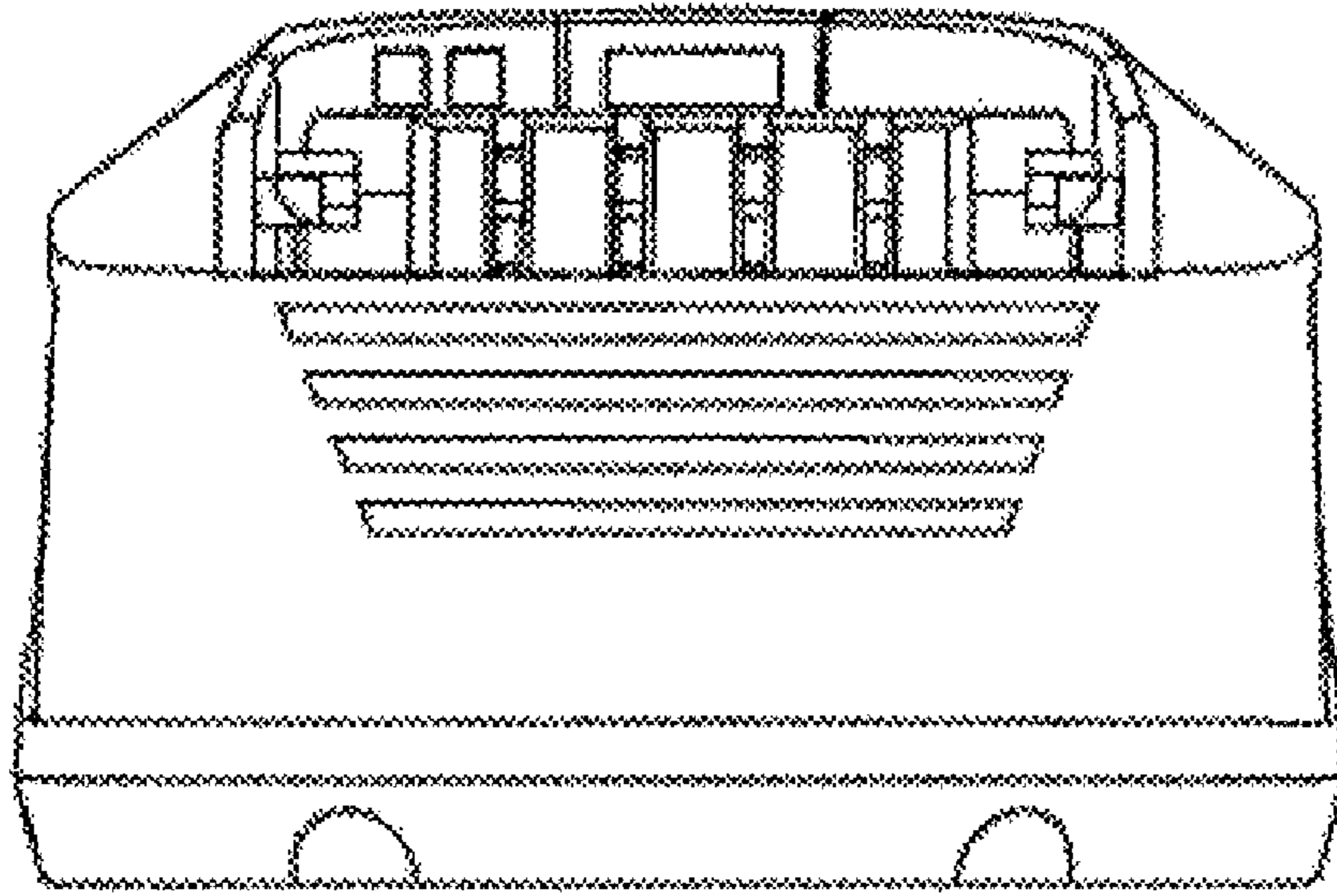


FIG. 4

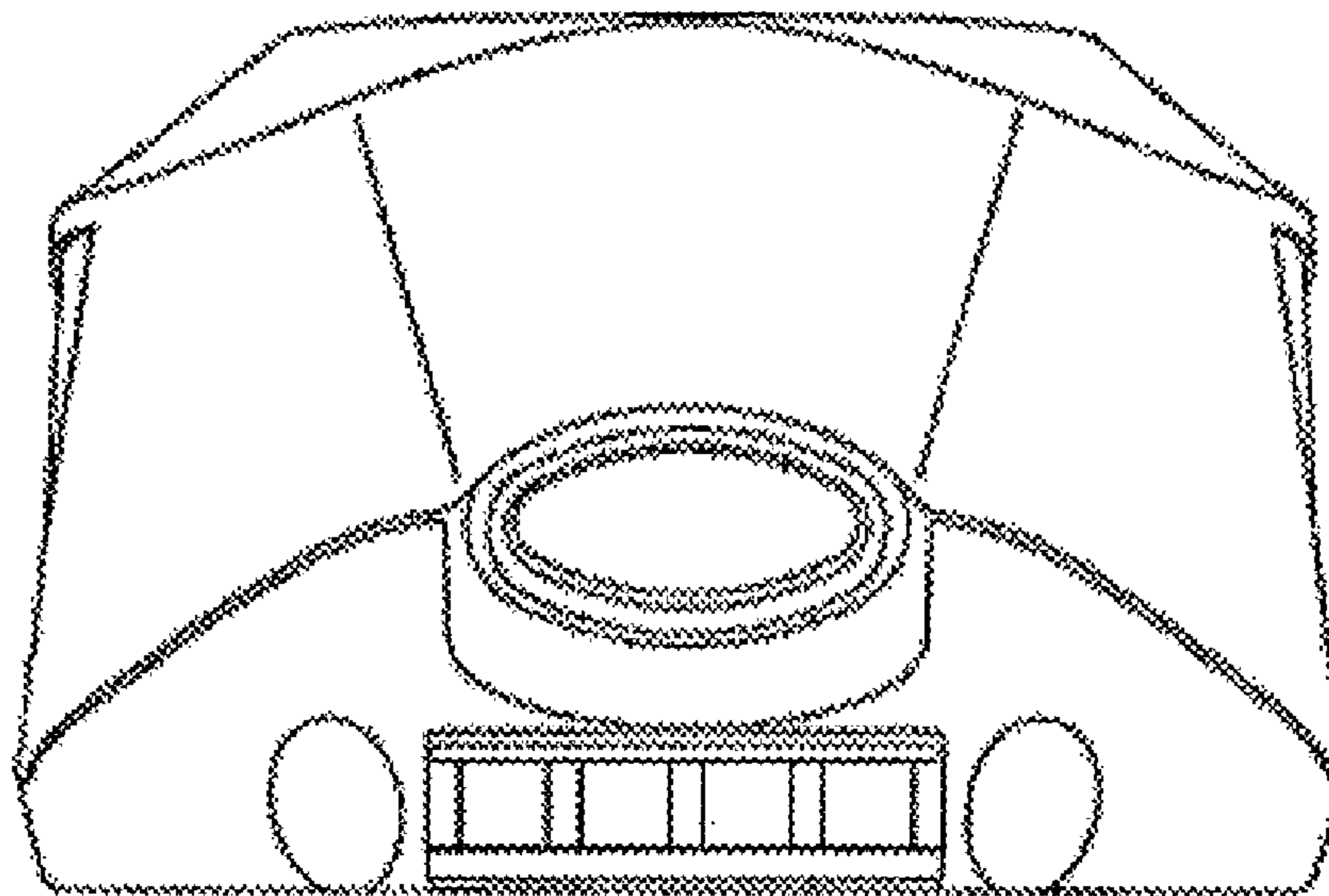


FIG. 5

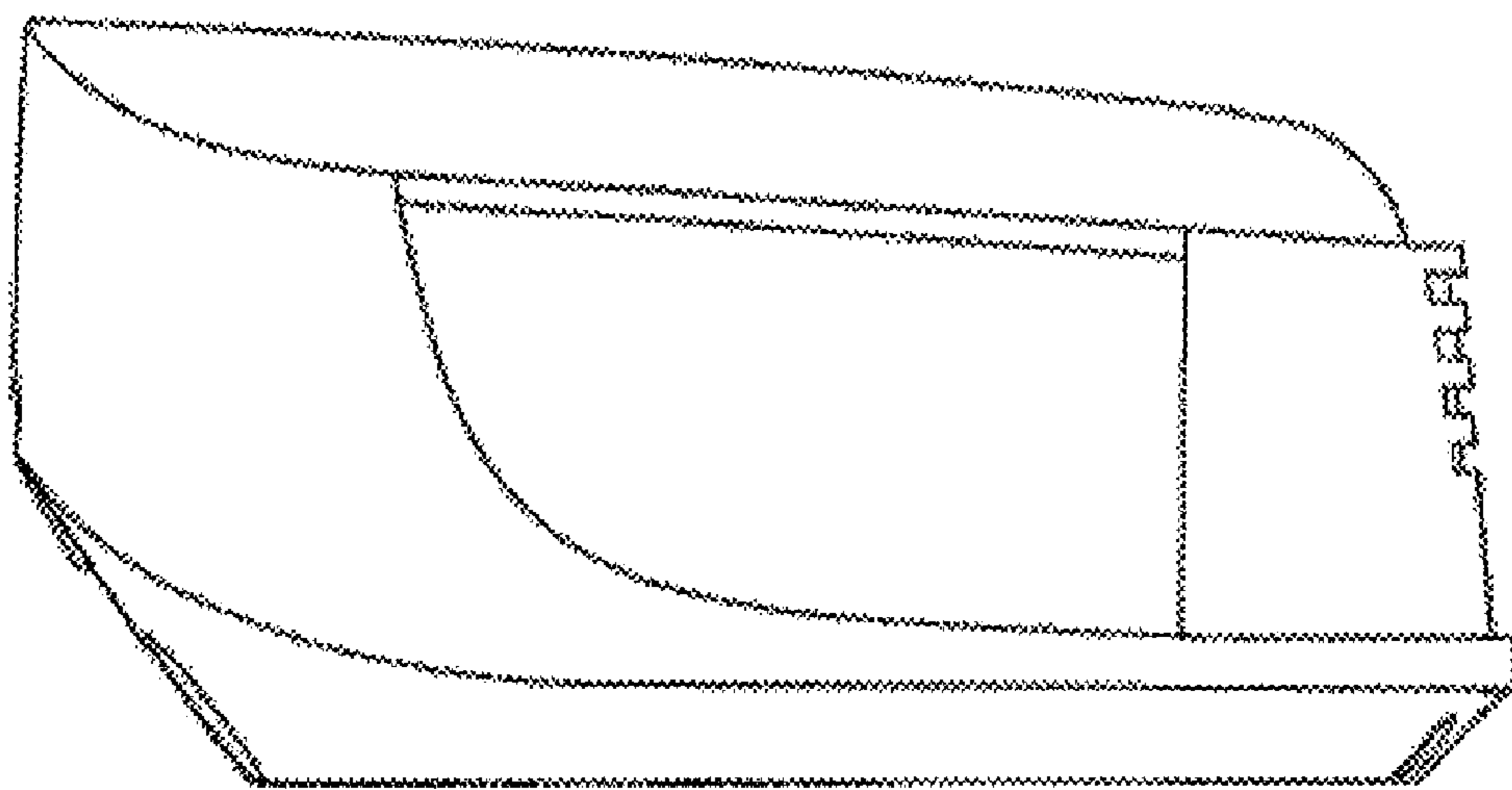


FIG. 6

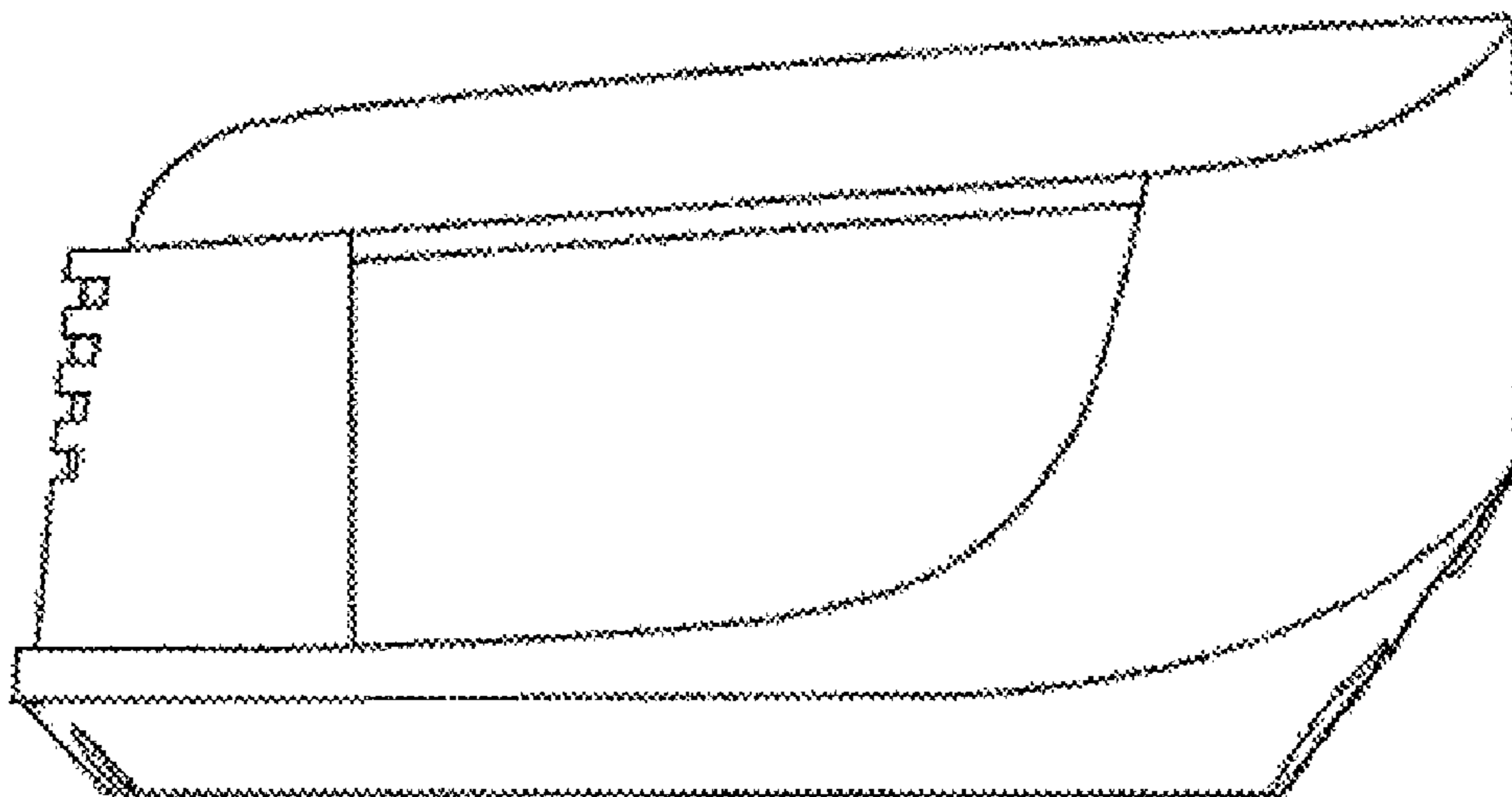


FIG. 7

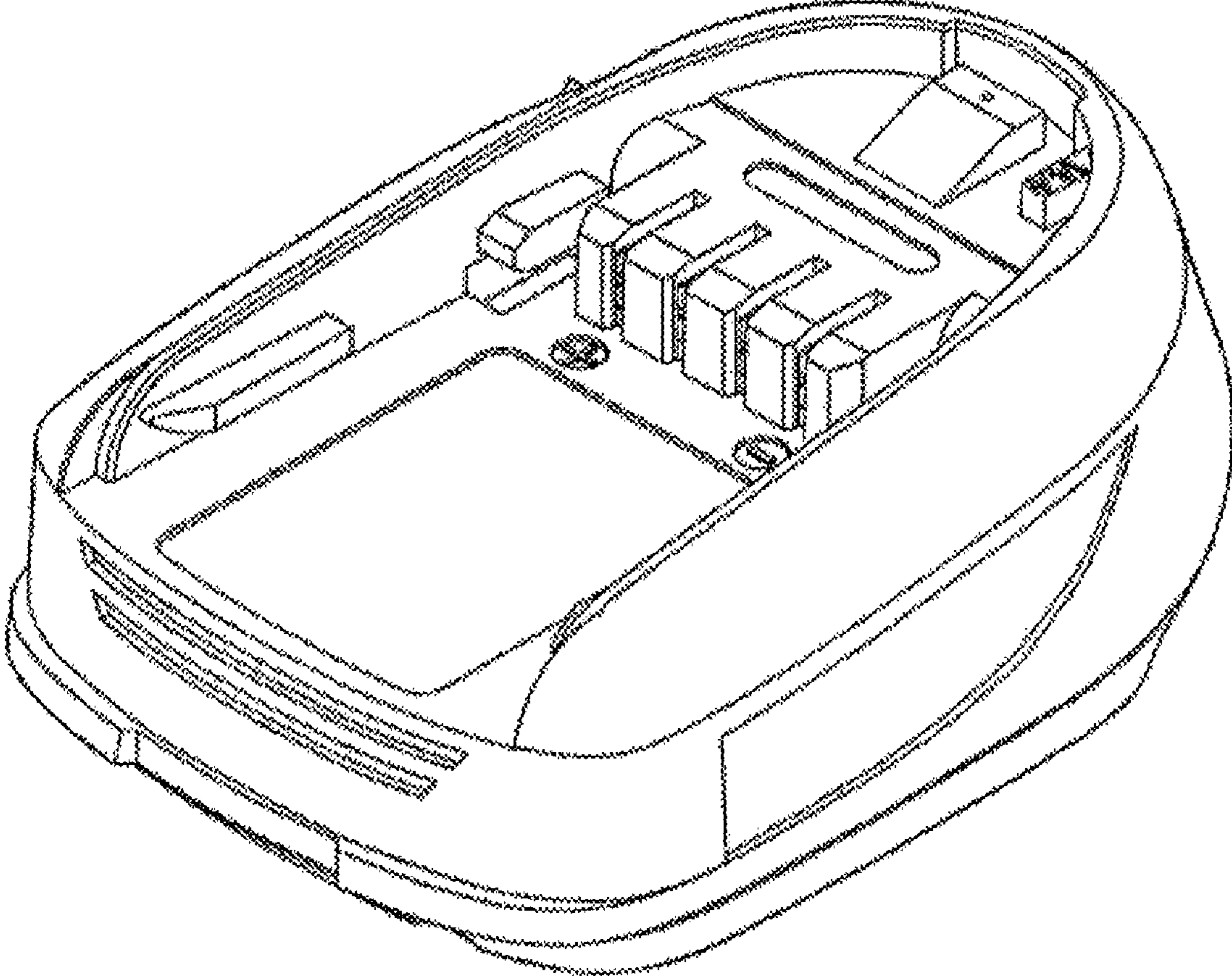


FIG. 8

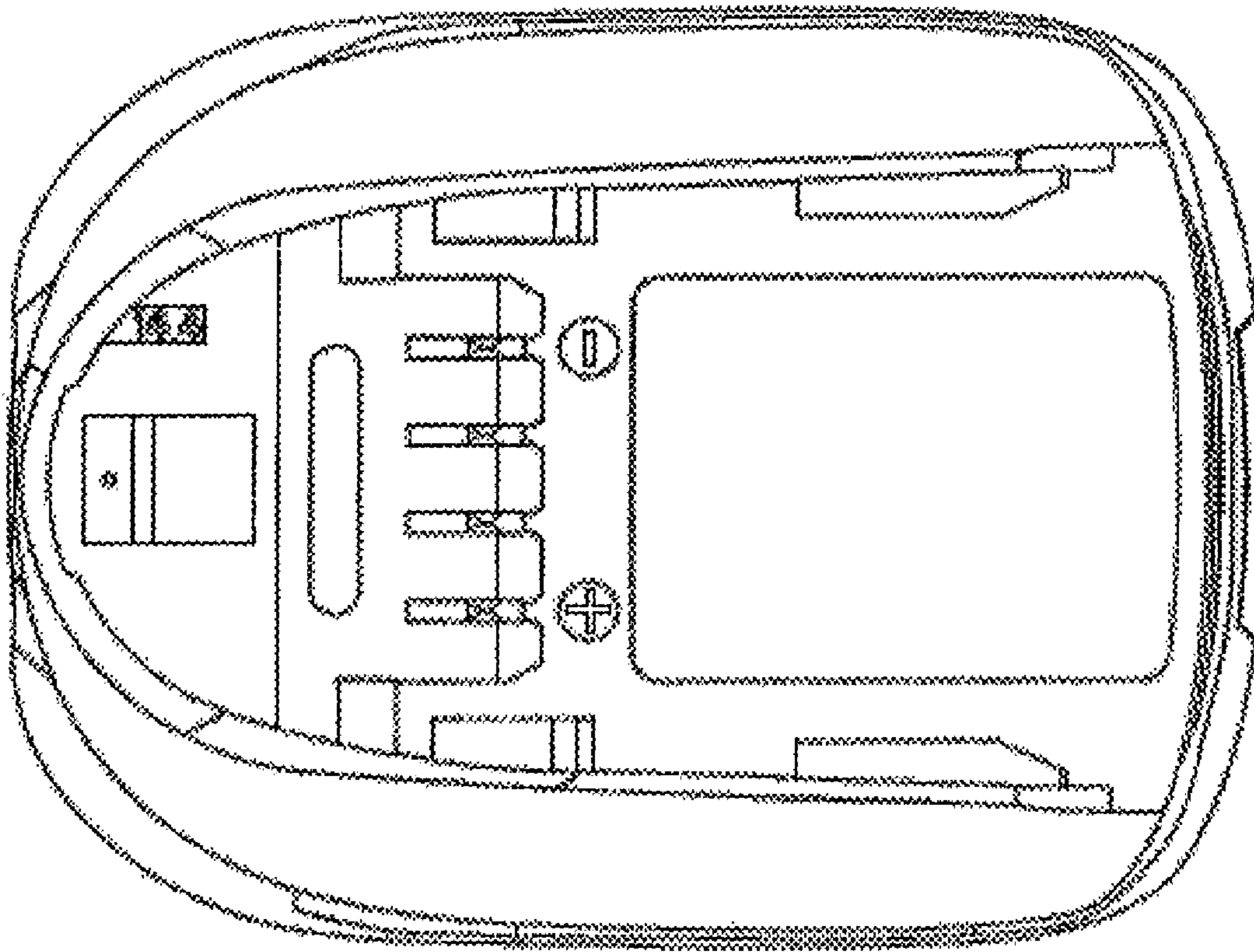


FIG. 9

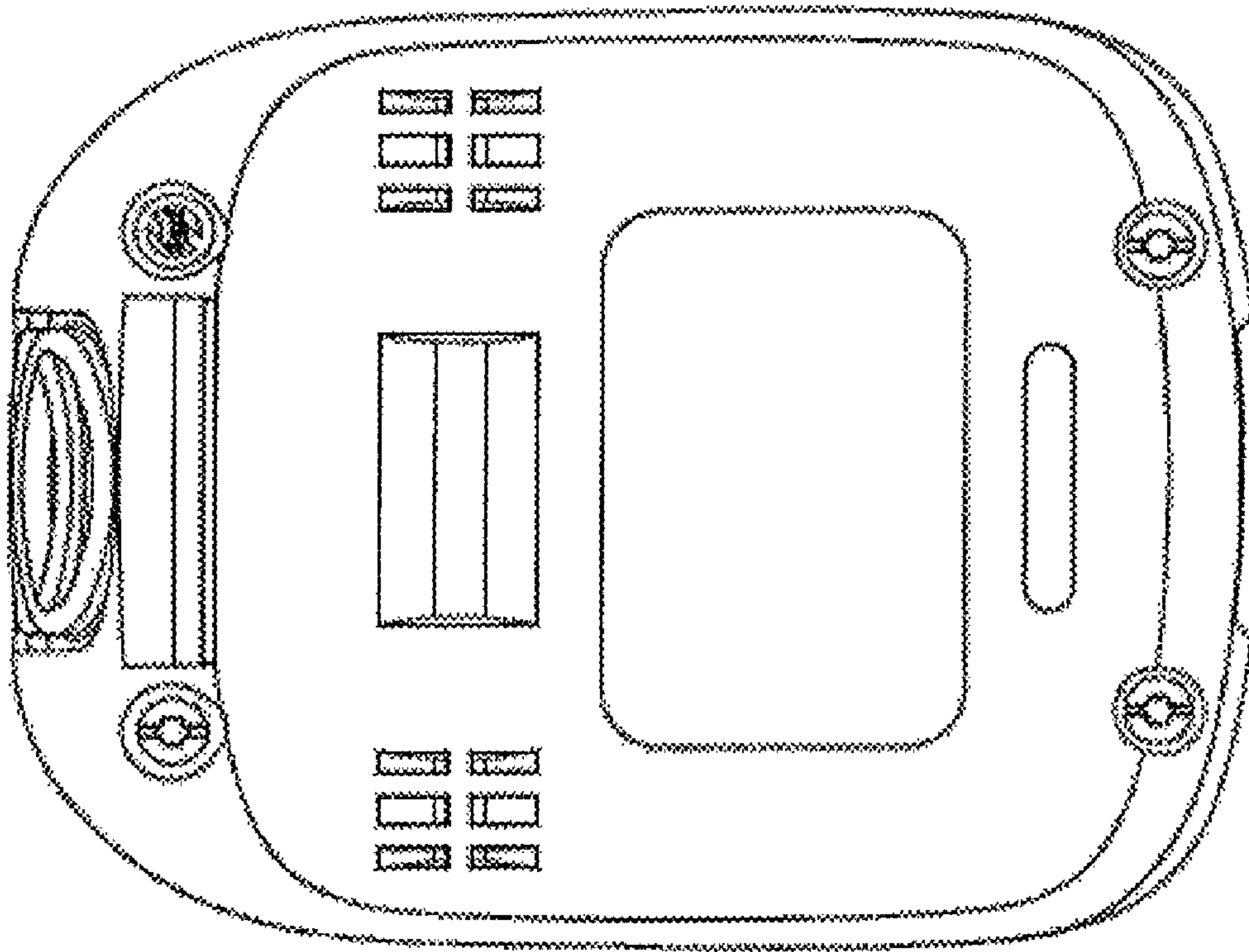


FIG. 10

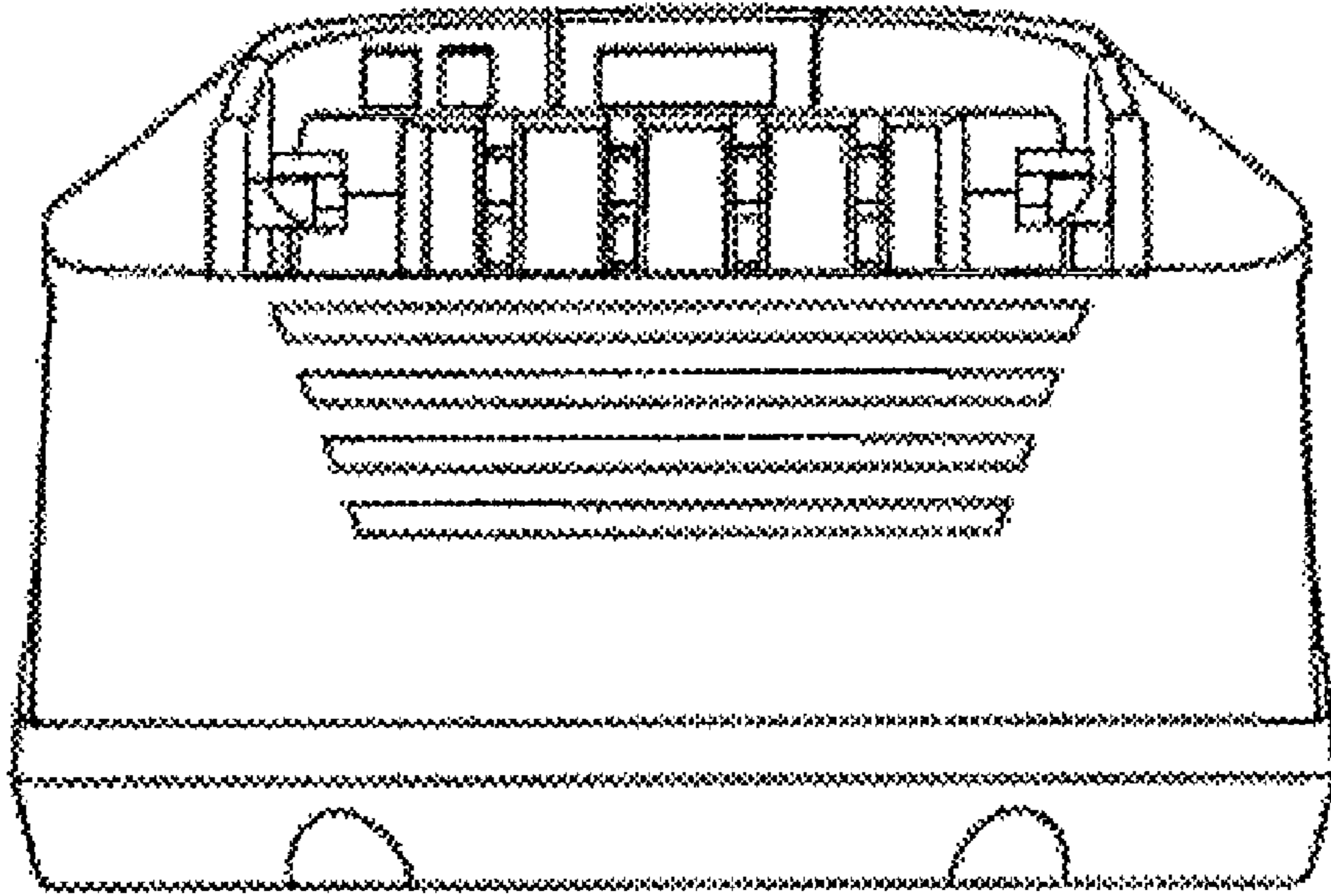


FIG. 11

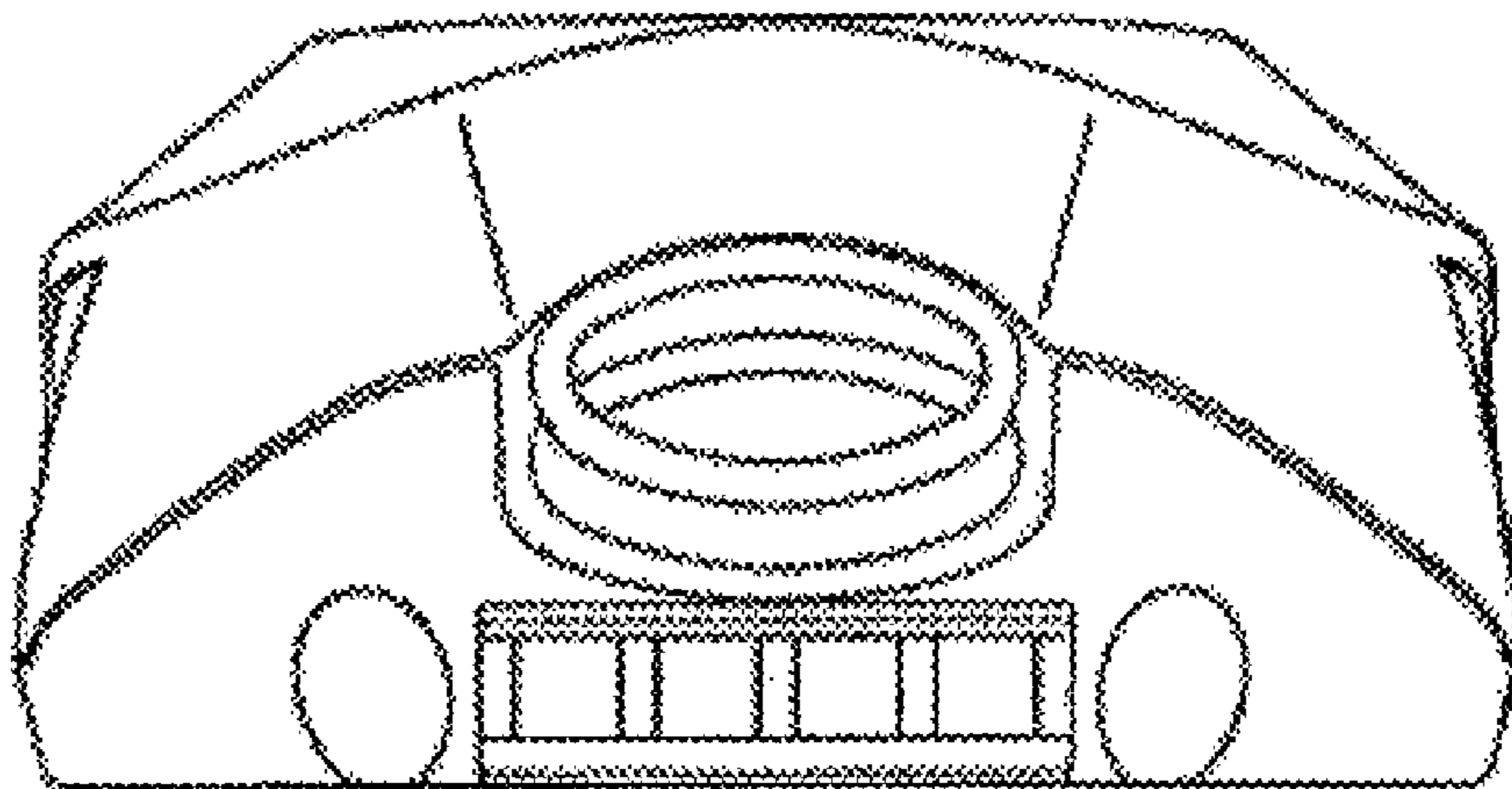


FIG. 12

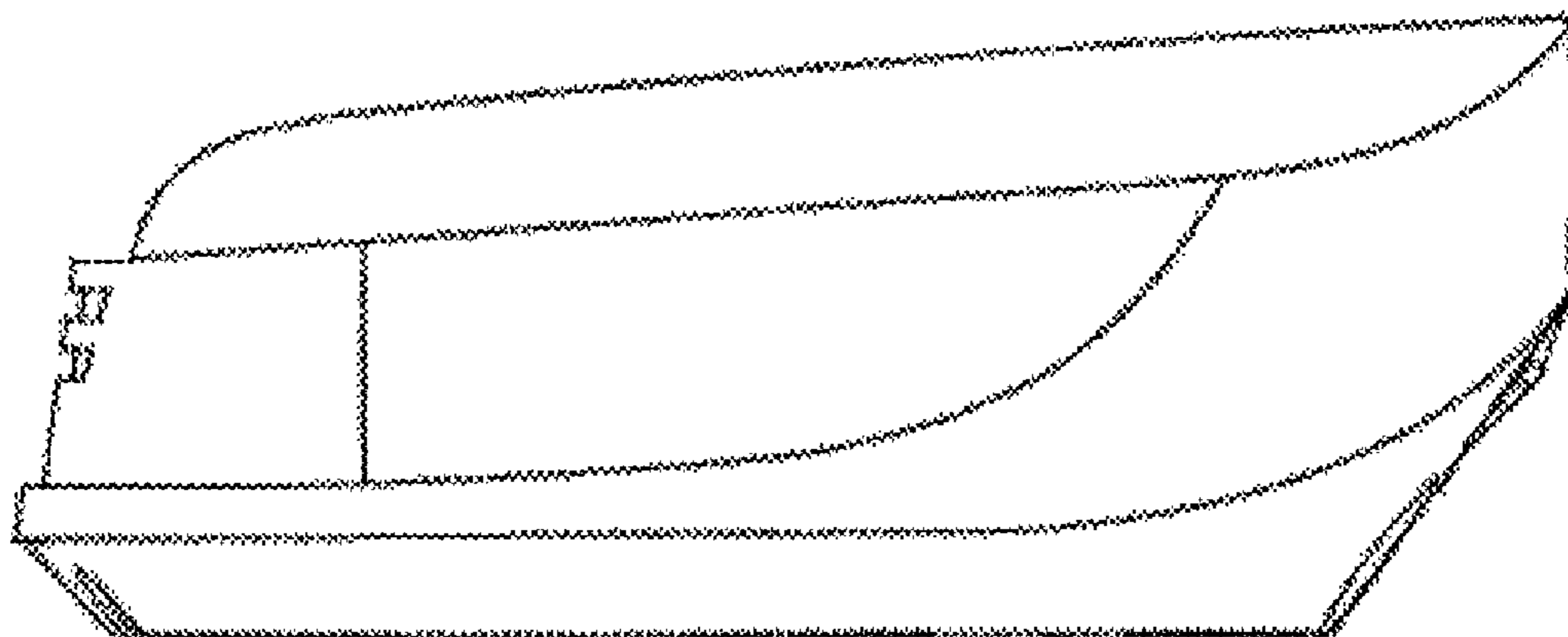


FIG. 13

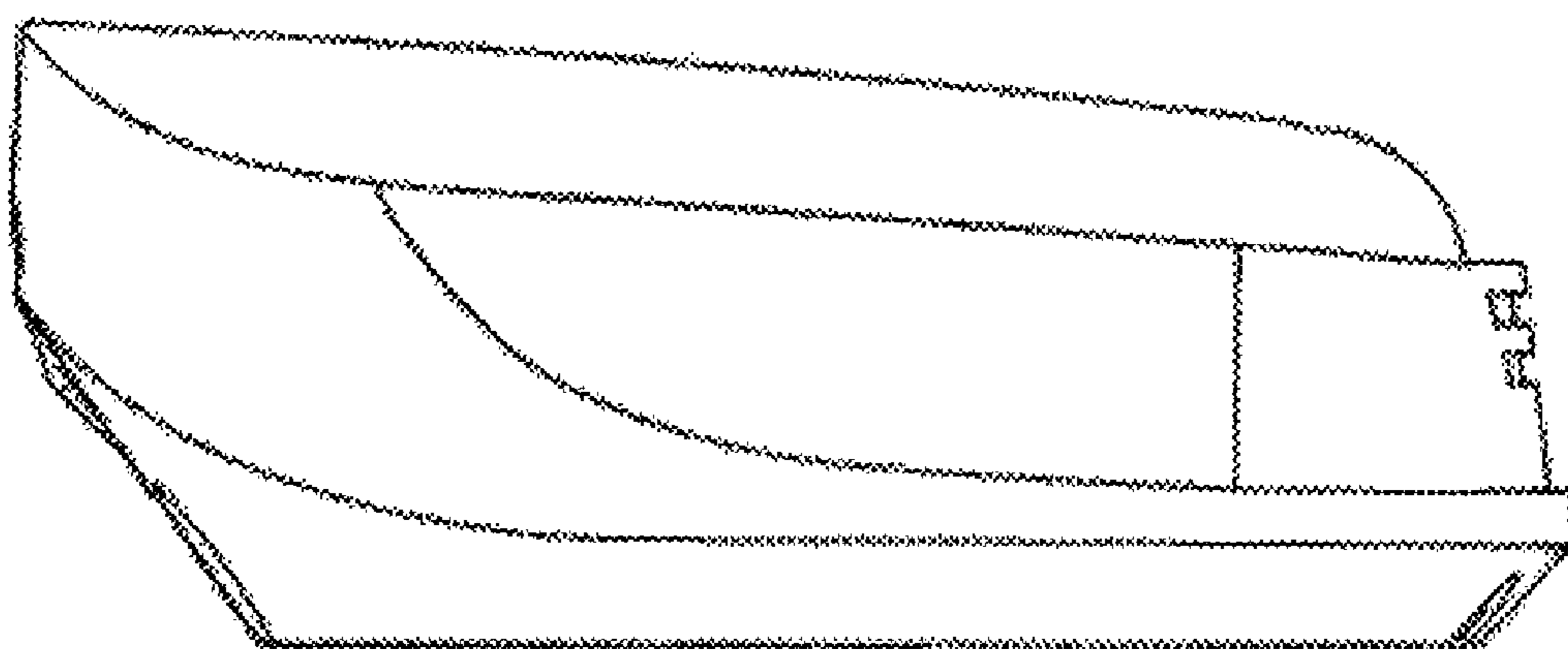


FIG. 14