



US00D613136S

(12) **United States Design Patent**
Begin et al.

(10) **Patent No.:** **US D613,136 S**
(45) **Date of Patent:** **** Apr. 6, 2010**

(54) **ICE SHOVEL**

(75) Inventors: **Jason Begin**, Mooresville, NC (US);
Jacob Connelly, Concord, NC (US)

(73) Assignee: **Rubbermaid Incorporated**,
Huntersville, NC (US)

(**) Term: **14 Years**

(21) Appl. No.: **29/324,548**

(22) Filed: **Sep. 15, 2008**

(51) **LOC (9) Cl.** **08-01**

(52) **U.S. Cl.** **D8/10**

(58) **Field of Classification Search** D8/10;
294/57-58, 54.5, 55, 49

See application file for complete search history.

(56) **References Cited**

U.S. PATENT DOCUMENTS

247,449	A	9/1881	Webster	
557,988	A	4/1896	Gageby	
1,182,412	A	5/1916	Olesberg	
1,212,305	A	1/1917	Worsell	
1,774,027	A	8/1930	Martenson	
2,318,277	A	5/1943	Yensen	
D142,480	S	10/1945	Hopkins	
2,629,624	A	2/1953	Nelles	
3,436,111	A	4/1969	England	
3,751,058	A *	8/1973	Larsen	280/30
4,194,778	A	3/1980	Hodnett	
5,395,147	A	3/1995	Brown et al.	
D359,892	S *	7/1995	Isbell, Sr.	D8/10
D377,300	S	1/1997	Fredrick von Essen	
D383,582	S *	9/1997	Sinclair, Jr.	D34/18
D405,665	S *	2/1999	Whitehead et al.	D8/10
5,887,919	A *	3/1999	Sallinen et al.	294/54.5
D440,729	S	4/2001	Piner et al.	

D445,235	S *	7/2001	Gibson	D99/34
6,378,577	B1	4/2002	Piner et al.	
D496,233	S	9/2004	Young et al.	
D506,111	S *	6/2005	Handley	D8/10
D533,418	S	12/2006	Agazzi	
D568,680	S *	5/2008	Hsu	D7/397
2005/0035611	A1	2/2005	Agazzi et al.	
2005/0151384	A1	7/2005	Omdoll et al.	

OTHER PUBLICATIONS

Traex Ice Scoops; p. 101; Libbey Foodservice 2008/09 Catalog; 3 pages; Aug. 2008.

* cited by examiner

Primary Examiner—Holly H Baynham

Assistant Examiner—Sheryl Lane

(74) *Attorney, Agent, or Firm*—Lempia Braidwood LLC

(57) **CLAIM**

The ornamental design for an “ice shovel,” as shown and described.

DESCRIPTION

FIG. 1 is a top, front, and left side perspective view showing one example of our new design for an ice shovel.

FIG. 2 is a front view of the ice shovel shown in FIG. 1.

FIG. 3 is a rear view of the ice shovel shown in FIG. 1.

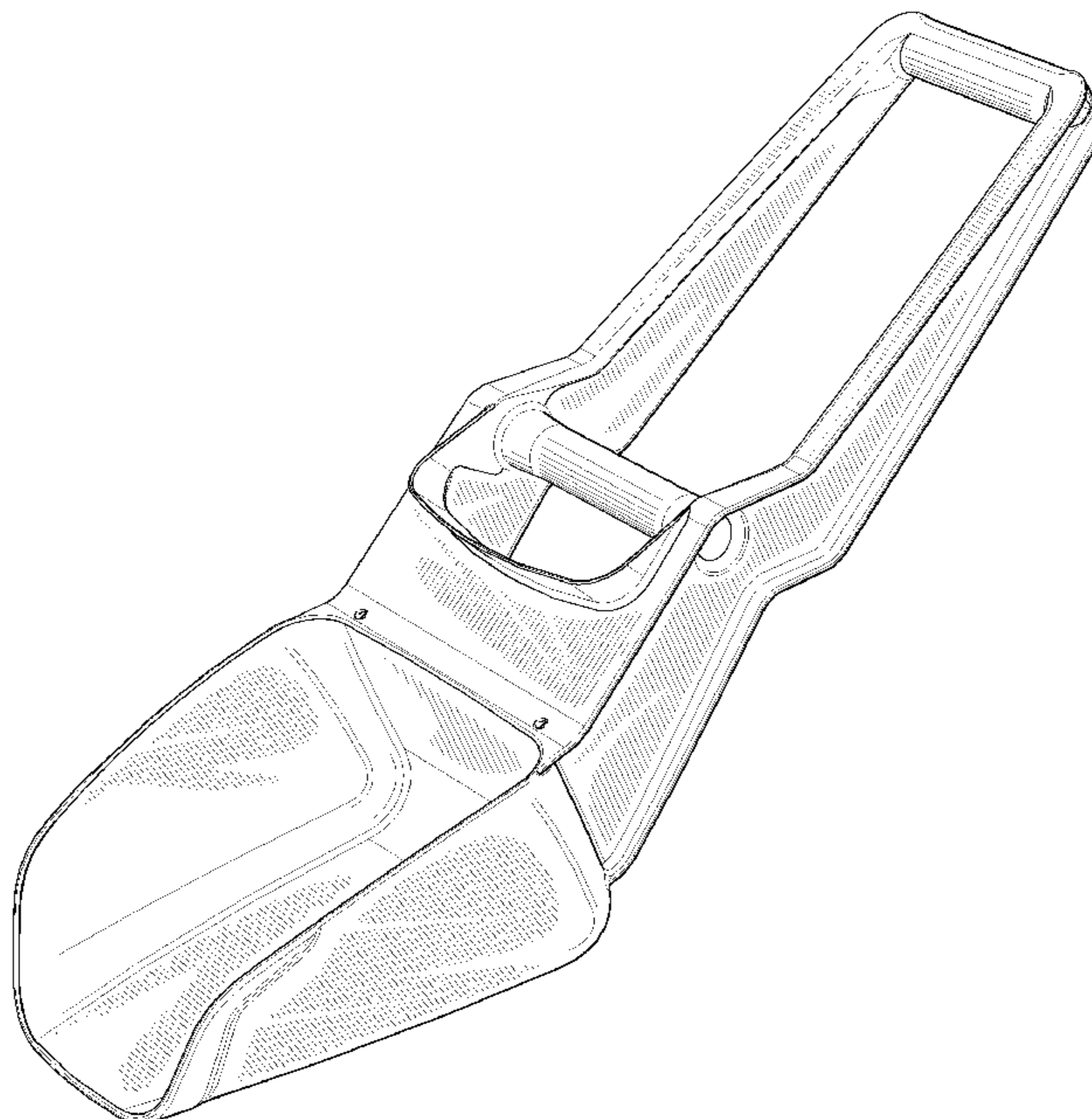
FIG. 4 is a top view of the ice shovel shown in FIG. 1.

FIG. 5 is a left side view of the ice shovel shown in FIG. 1, the right side view being a mirror image thereof.

FIG. 6 is a bottom view of the ice shovel shown in FIG. 1; and,

FIG. 7 is a top, front, and left side perspective view showing an alternate transparent example of our new design for an ice shovel.

1 Claim, 4 Drawing Sheets



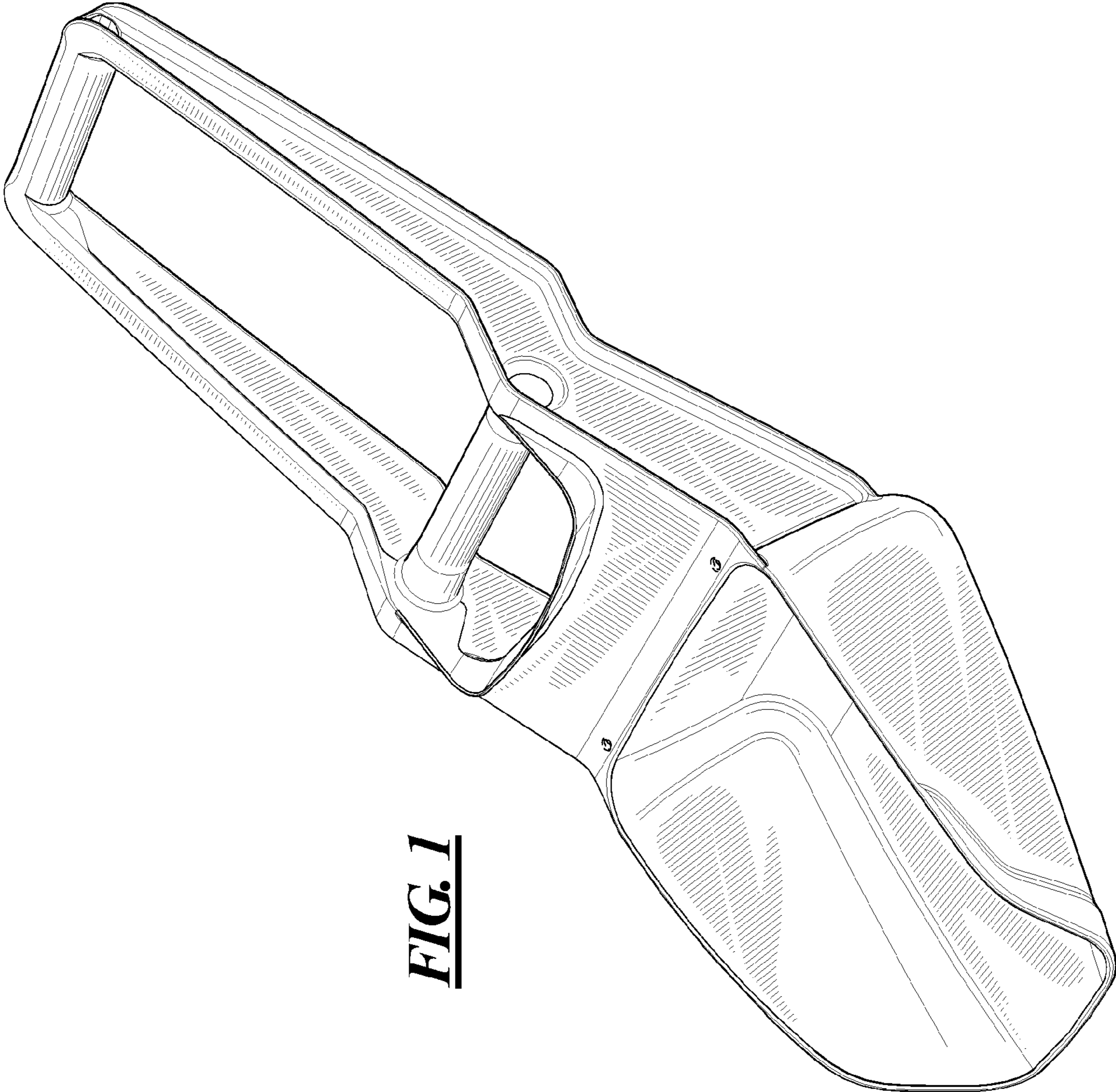


FIG. 2

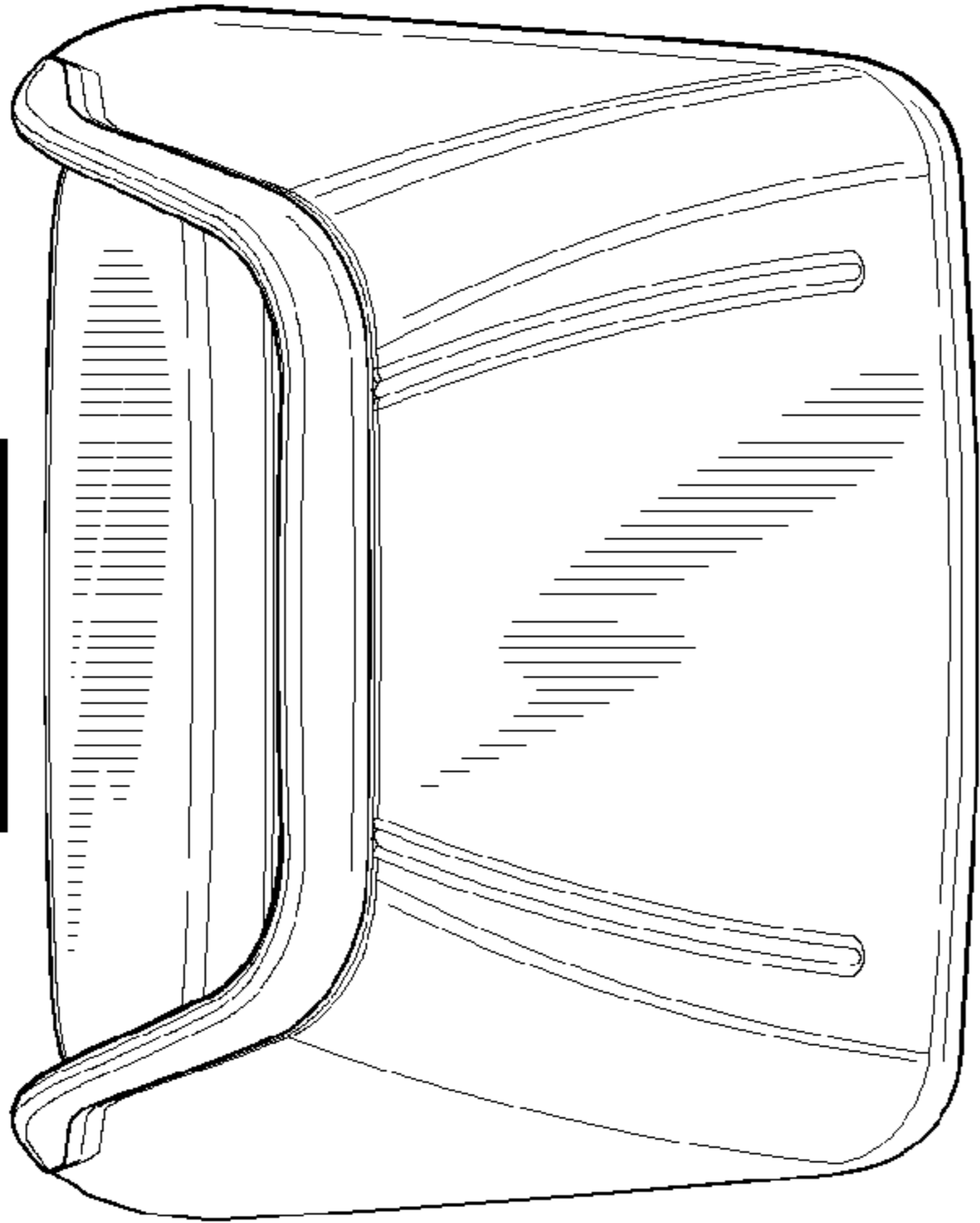
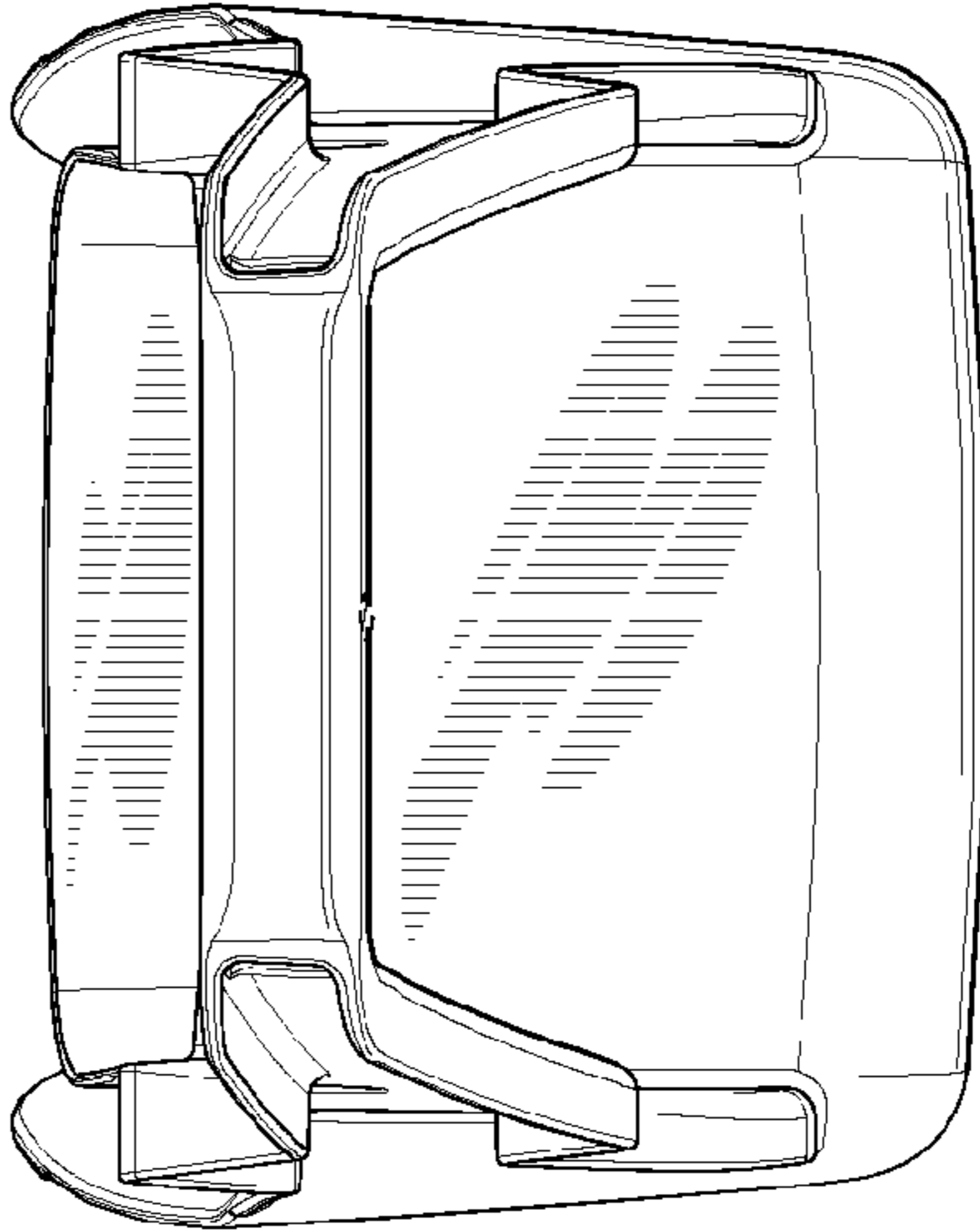


FIG. 3



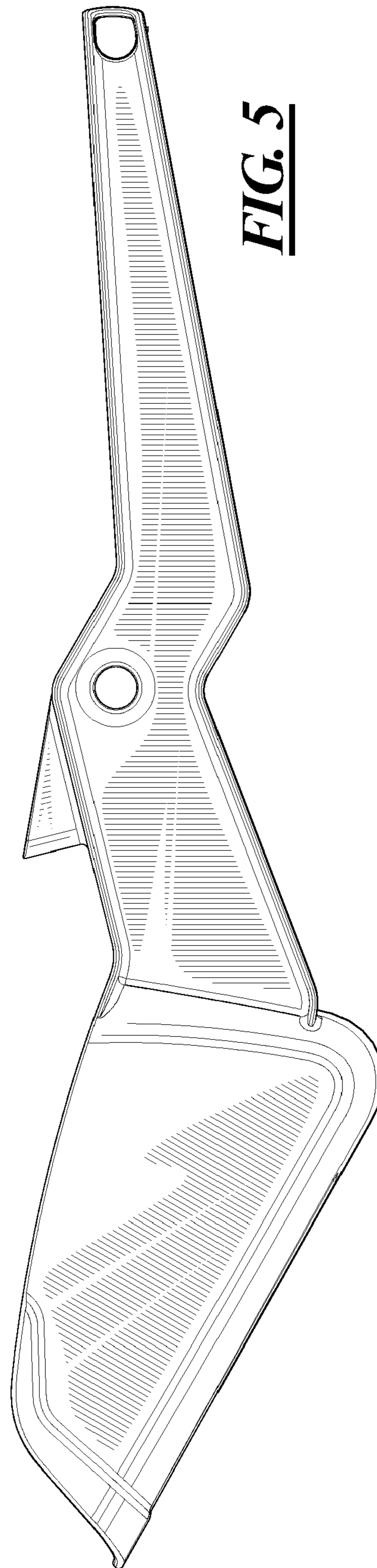
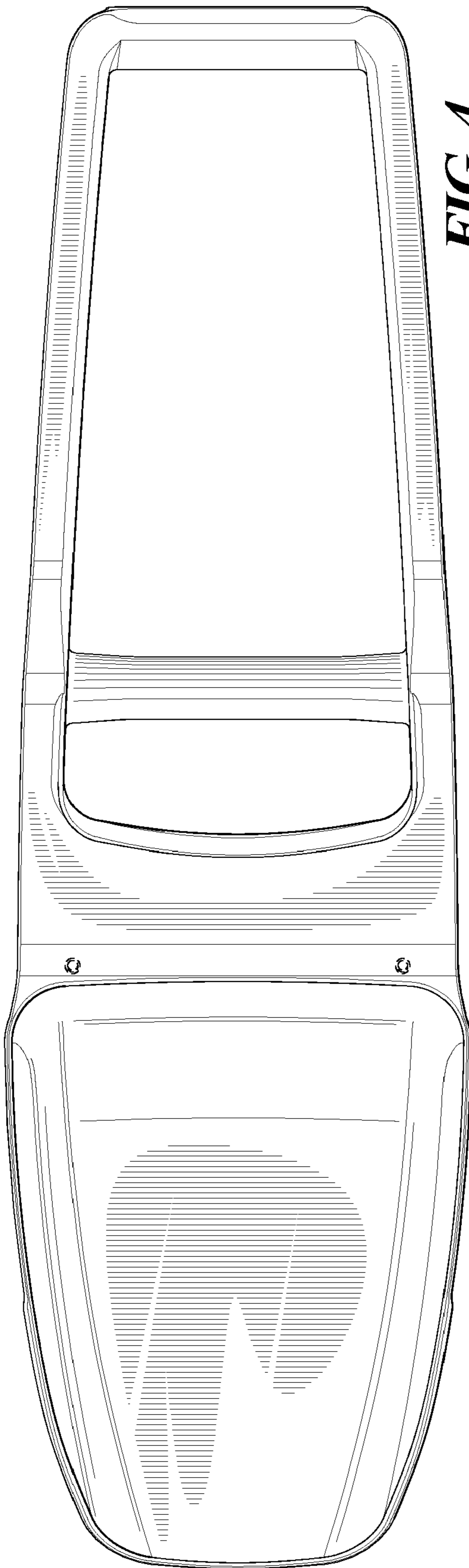
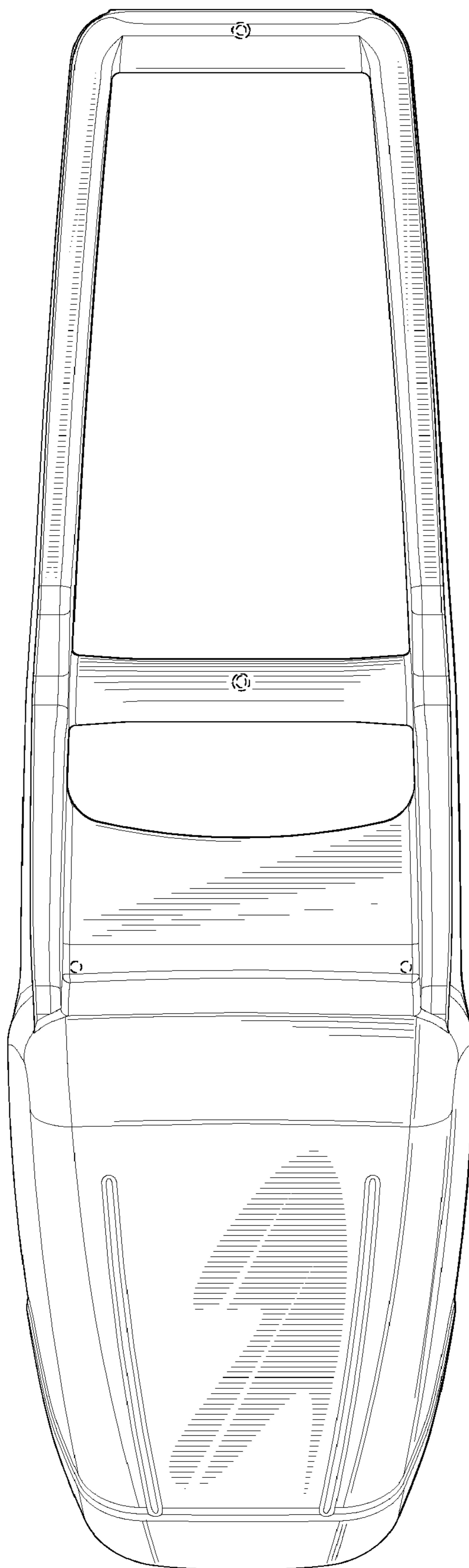


FIG. 6



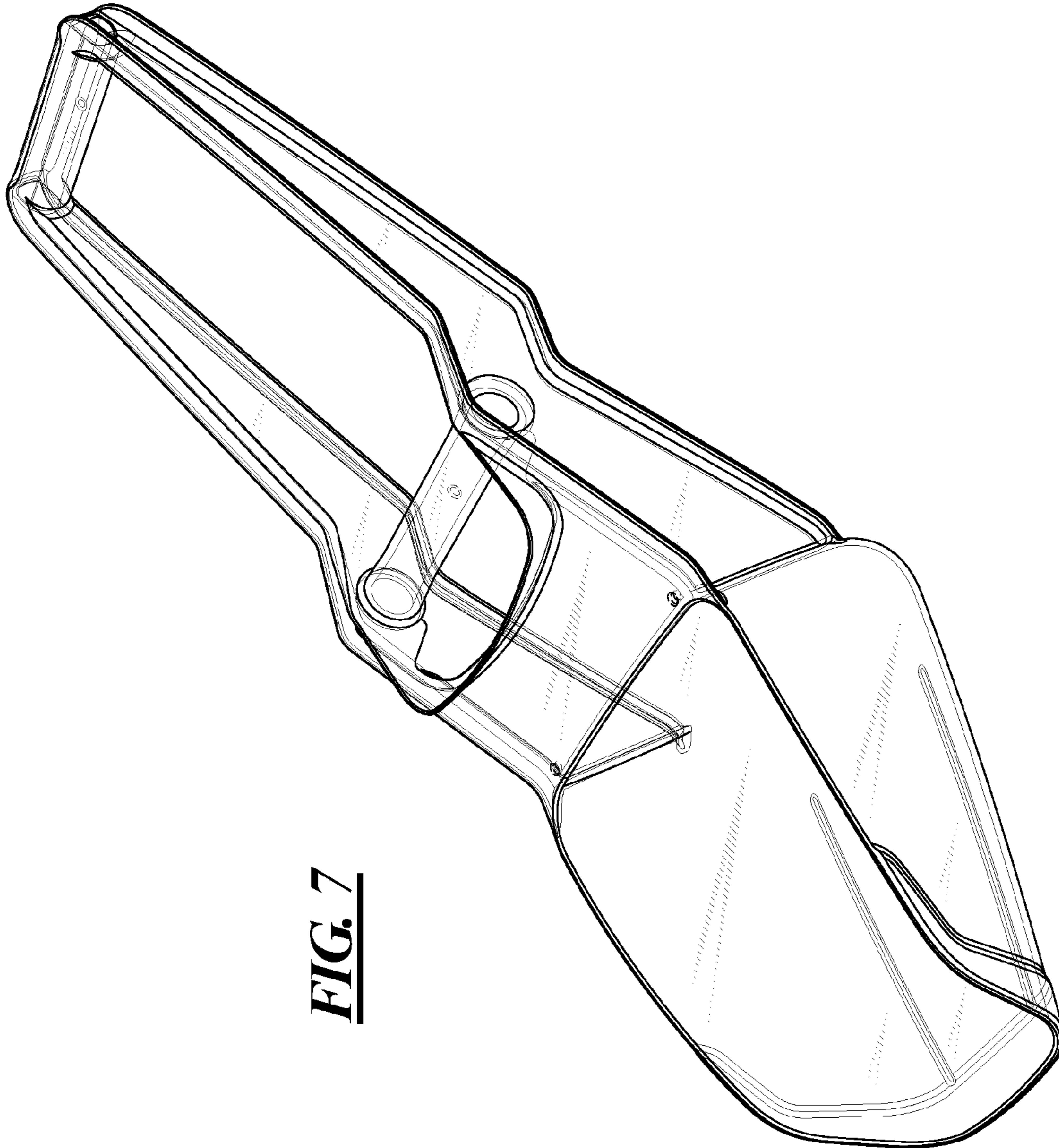


FIG. 7