



US00D613132S

(12) **United States Design Patent**
Frank

(10) **Patent No.:** **US D613,132 S**
(45) **Date of Patent:** **** Apr. 6, 2010**

(54) **FROZEN JEWEL POP MOLD**

(76) Inventor: **Matthew James Frank**, 2815 E. Lake Ave. E., Seattle, WA (US) 98102

(**) Term: **14 Years**

(21) Appl. No.: **29/336,548**

(22) Filed: **May 5, 2009**

(51) **LOC (9) Cl.** **07-04**

(52) **U.S. Cl.** **D7/672**

(58) **Field of Classification Search** D7/672-676,
D7/368, 669; D1/101, 102, 105, 127; 425/118,
425/126.2; 249/91, 92, 121; 294/87.11
See application file for complete search history.

(56) **References Cited**

U.S. PATENT DOCUMENTS

D188,992 S * 10/1960 Morrison D7/672

(Continued)

Primary Examiner—Terry A Wallace

(74) *Attorney, Agent, or Firm*—Priya Sinha Cloutier

(57) **CLAIM**

The ornamental design for frozen jewel pop mold, as shown and described.

DESCRIPTION

FIG. 1 is a perspective view of the frozen jewel pop mold showing my new design;

FIG. 2 is a perspective view thereof of the base shown separately for clarity of illustration;

FIG. 3 is a top plan view of FIG. 2;

FIG. 4 is a bottom plan view of FIG. 2;

FIG. 5 is a front view thereof of the pop ring shown separately for clarity of illustration;

FIG. 6 is a side view of FIG. 5;

FIG. 7 is an exploded perspective view of FIG. 5;

FIG. 8 is a top plan view of the pop ring base shown separately for clarity of illustration;

FIG. 9 is a bottom plan view of FIG. 8;

FIG. 10 is a side view of a first mold, shown separately for clarity of illustration;

FIG. 11 is a perspective view of FIG. 10;

FIG. 12 is a top plan view of FIG. 10;

FIG. 13 is a bottom plan view of FIG. 10;

FIG. 14 is a side view of a second mold, shown separately for clarity of illustration;

FIG. 15 is a perspective view of FIG. 14;

FIG. 16 is a top plan view of FIG. 14;

FIG. 17 is a bottom plan view of FIG. 14;

FIG. 18 is a side view of a third mold, shown separately for clarity of illustration;

FIG. 19 is a perspective view of FIG. 18;

FIG. 20 is a top plan view of FIG. 18;

FIG. 21 is a bottom plan view of FIG. 18;

FIG. 22 is a side view of a fourth mold, shown separately for clarity of illustration;

FIG. 23 is a perspective view of FIG. 22;

FIG. 24 is top plan view of FIG. 22;

FIG. 25 is a bottom plan view of FIG. 22;

FIG. 26 is a side view of a fifth mold, shown separately for clarity of illustration;

FIG. 27 is a perspective view of FIG. 26;

FIG. 28 is a top plan view of FIG. 26;

FIG. 29 is a bottom plan view of FIG. 26;

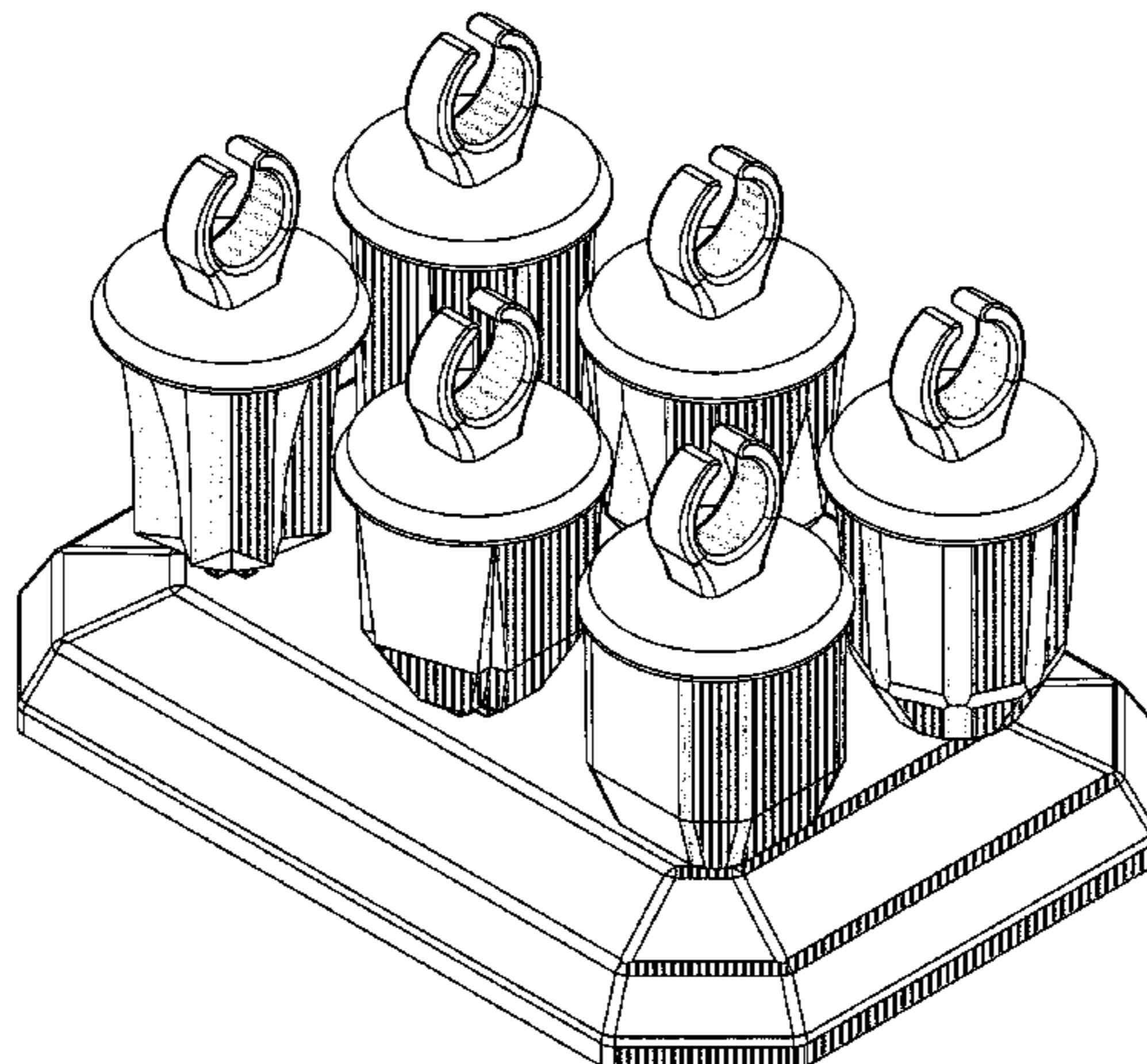
FIG. 30 is a side view of a sixth mold, shown separately for clarity of illustration;

FIG. 31 is a perspective view of FIG. 30;

FIG. 32 is a top plan view of FIG. 30; and,

FIG. 33 is a bottom plan view of FIG. 30.

1 Claim, 31 Drawing Sheets



US D613,132 S

Page 2

U.S. PATENT DOCUMENTS

3,411,463	A *	11/1968	Moseres	249/92	5,354,191	A *	10/1994	Bobis	425/118
4,239,175	A *	12/1980	Straubinger	249/92	D504,286	S *	4/2005	de Cleir	D7/675
D269,578	S *	7/1983	Straubinger	D7/672						

* cited by examiner

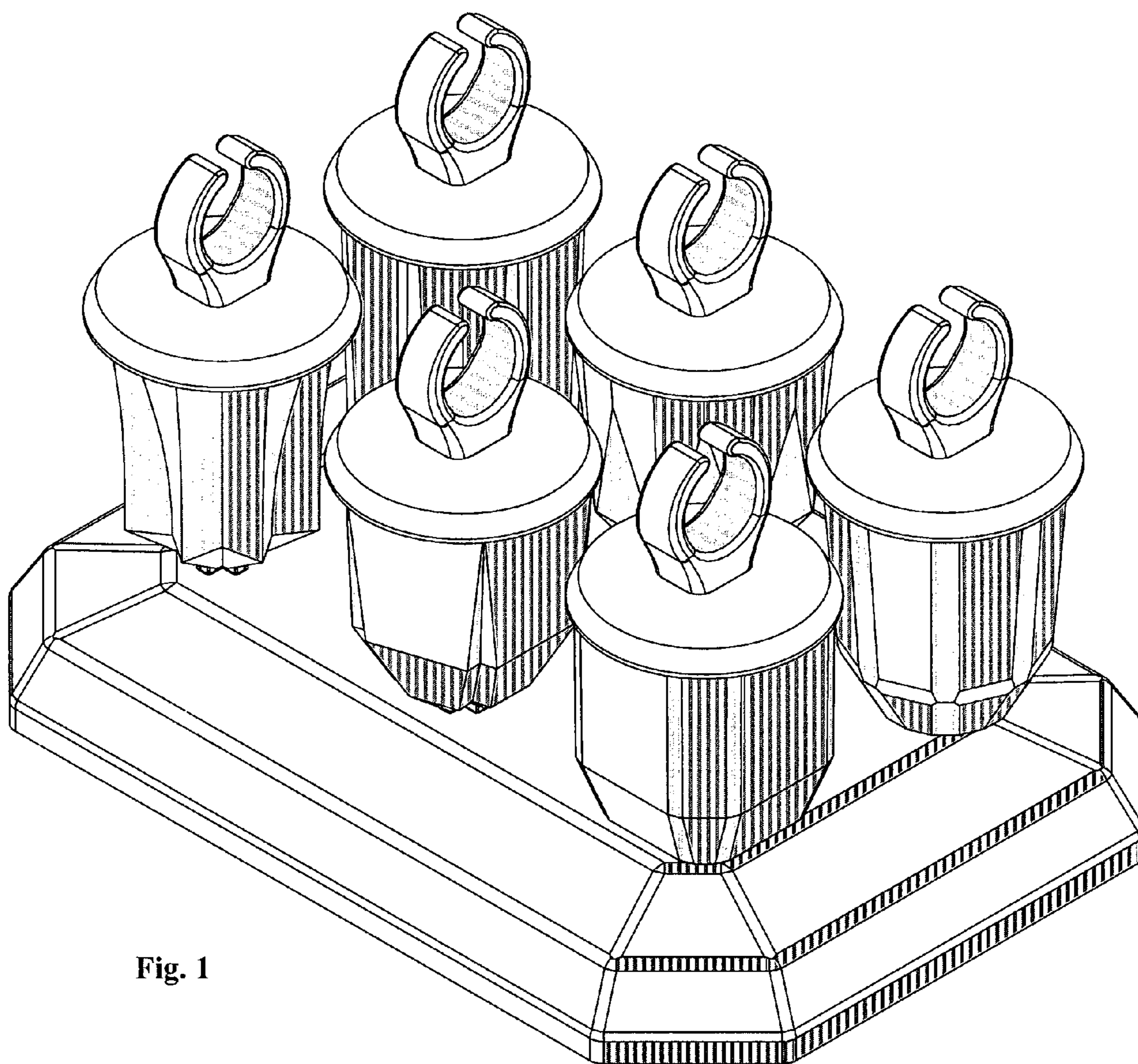


Fig. 1

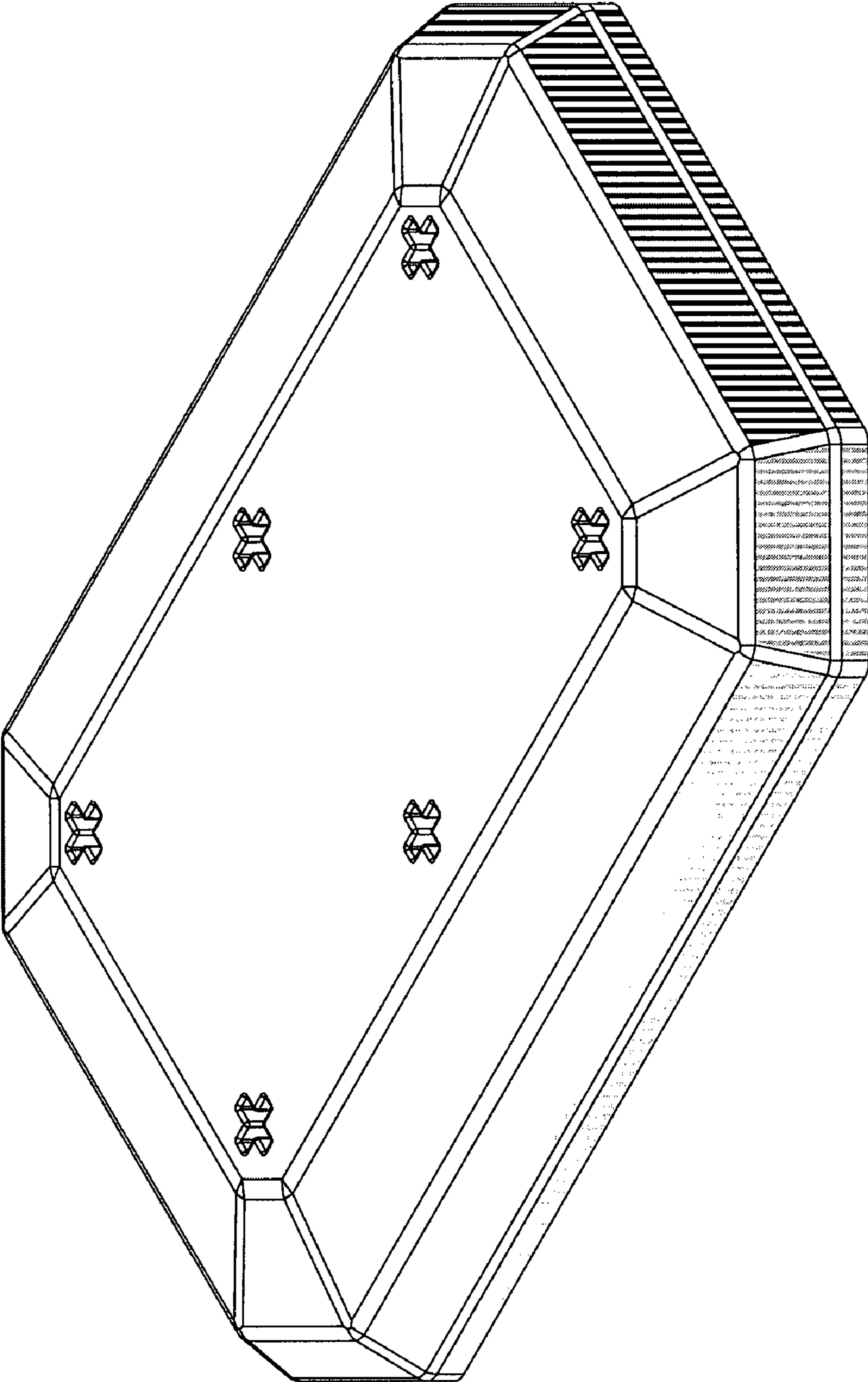


Fig. 2

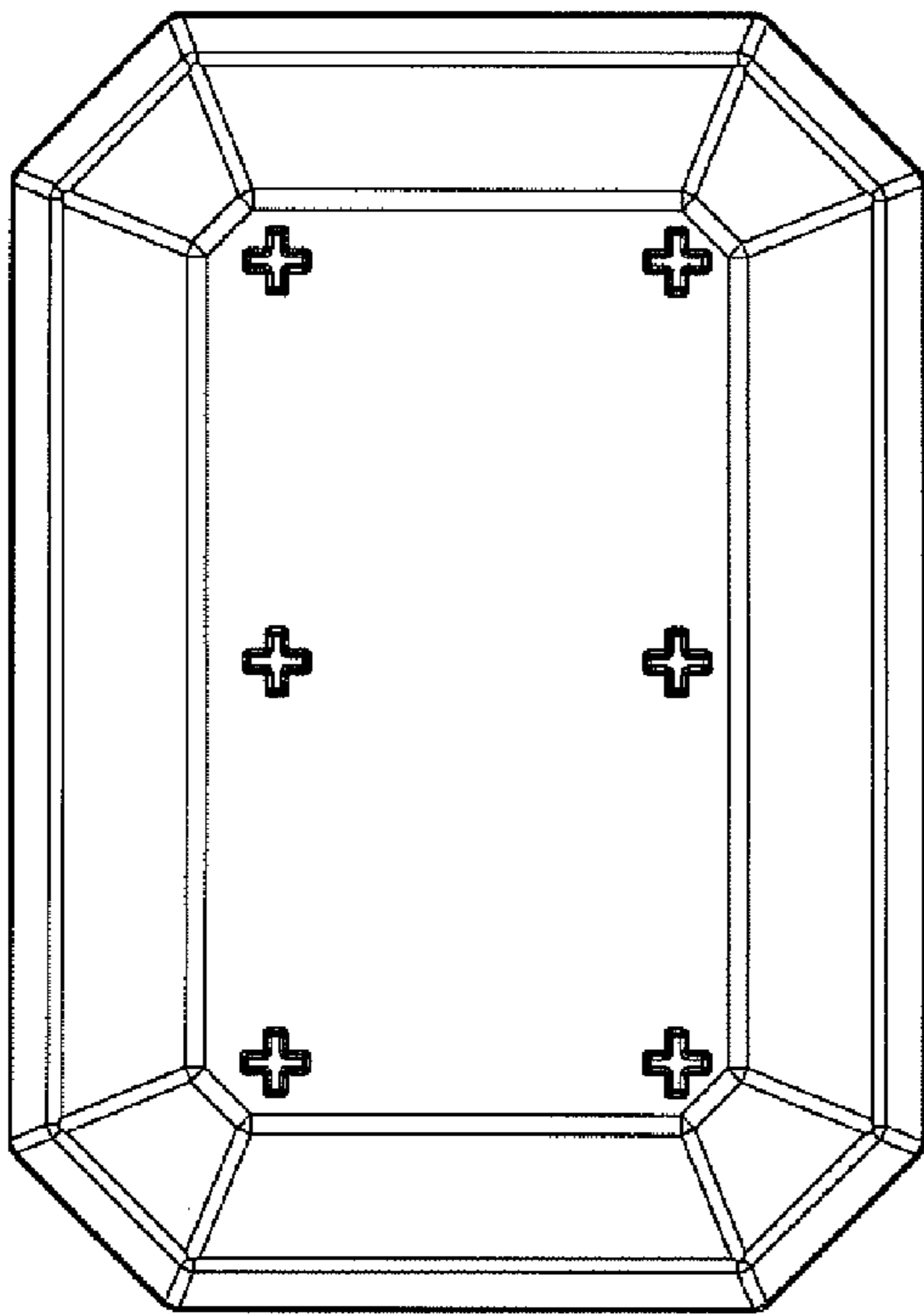


Fig. 3

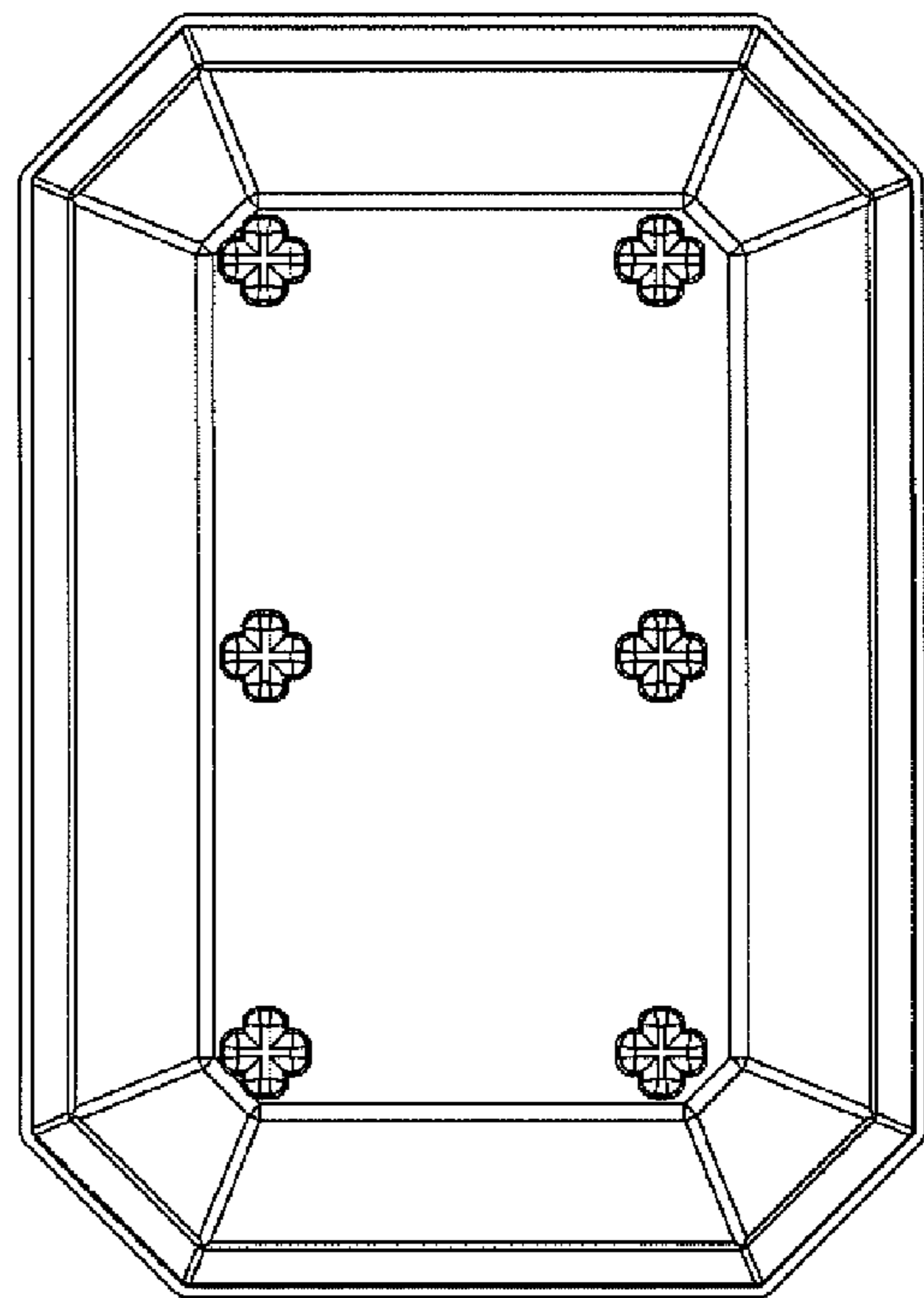


Fig. 4

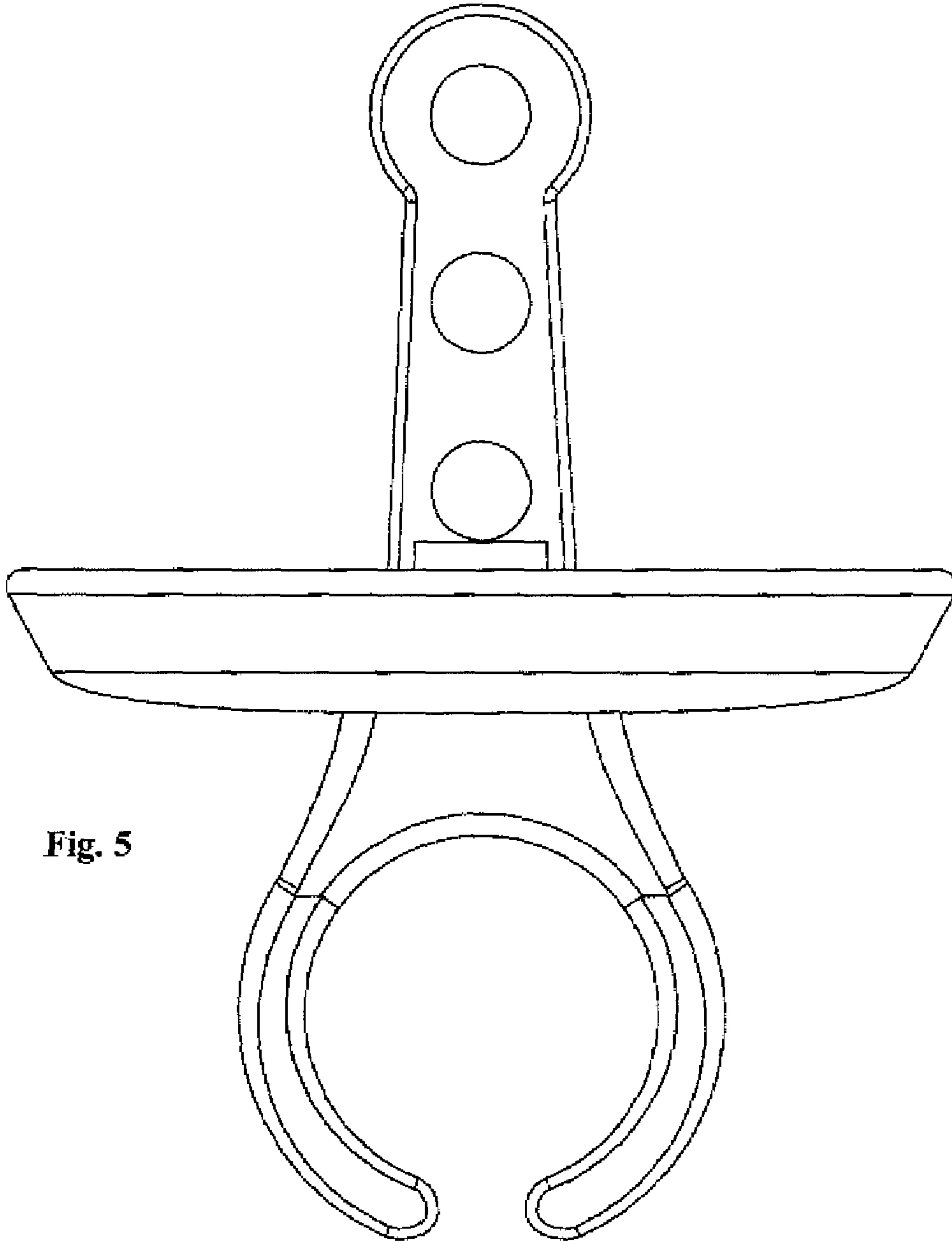


Fig. 5

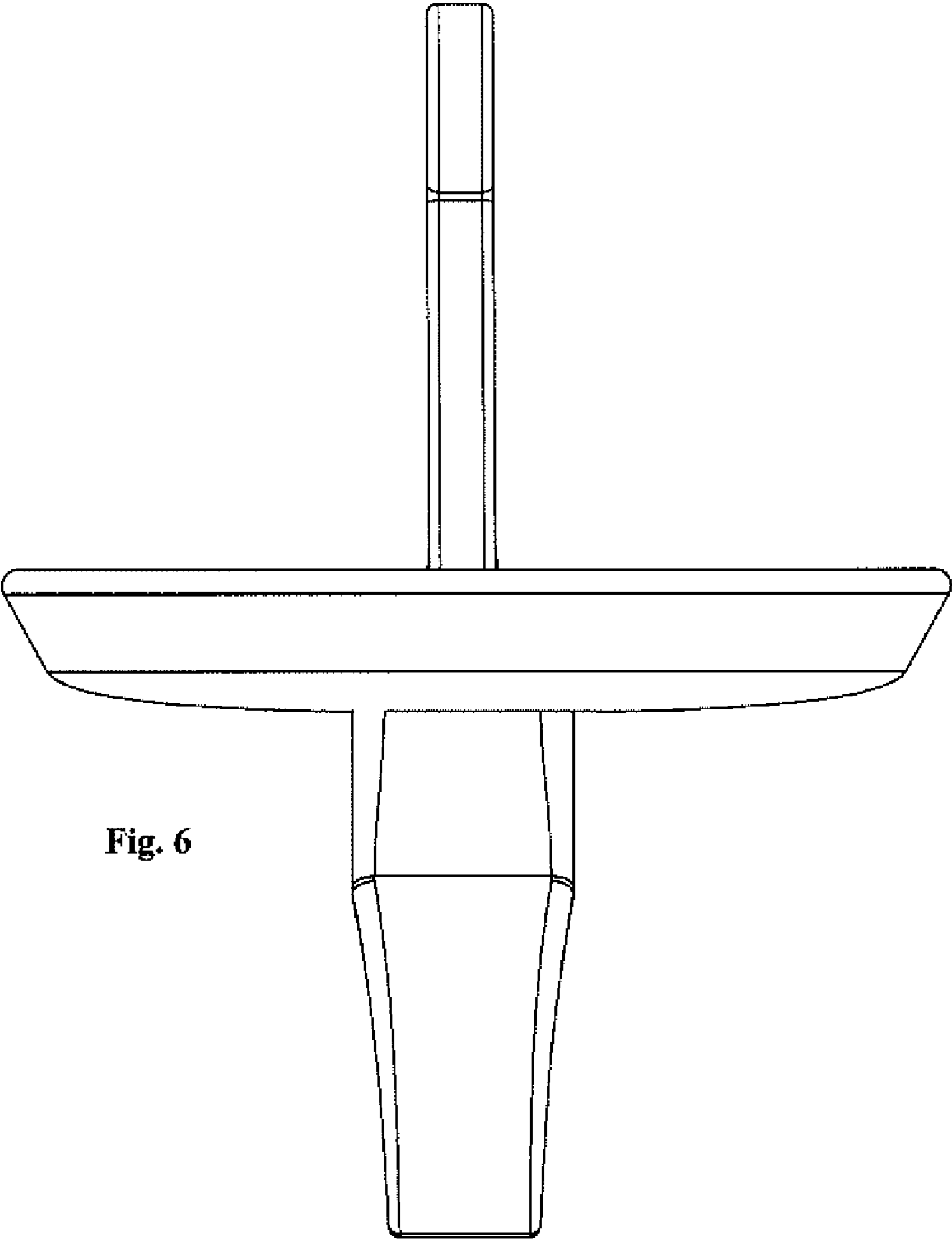


Fig. 6

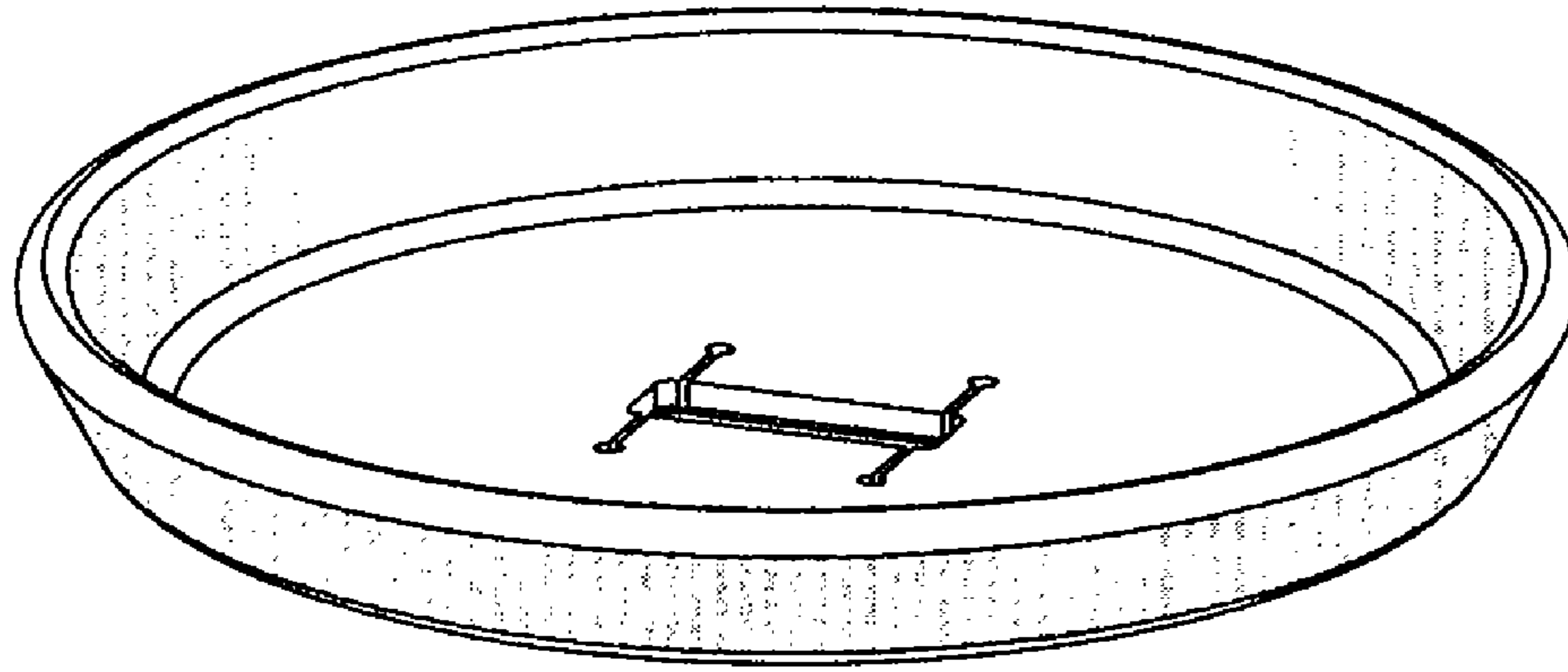
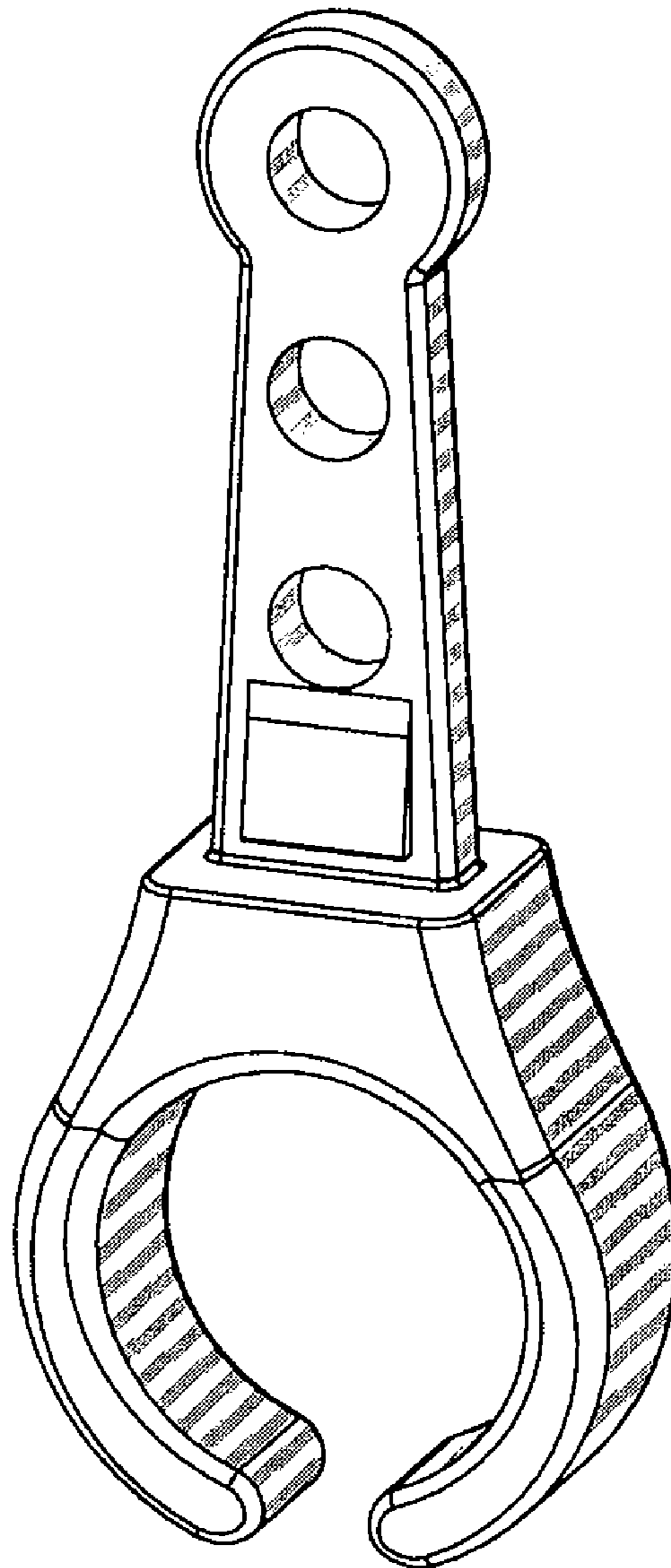


Fig. 7



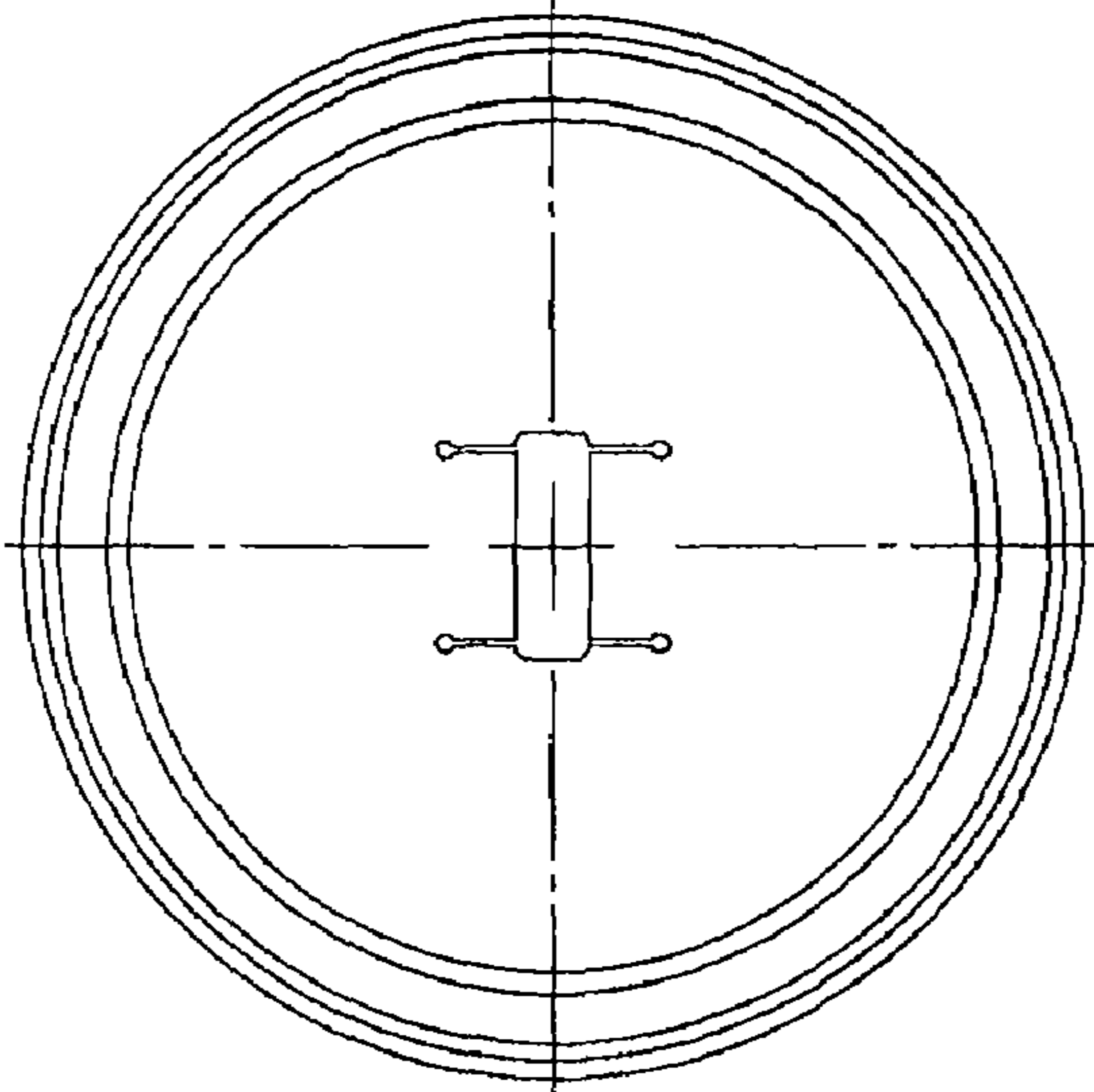


Fig. 9

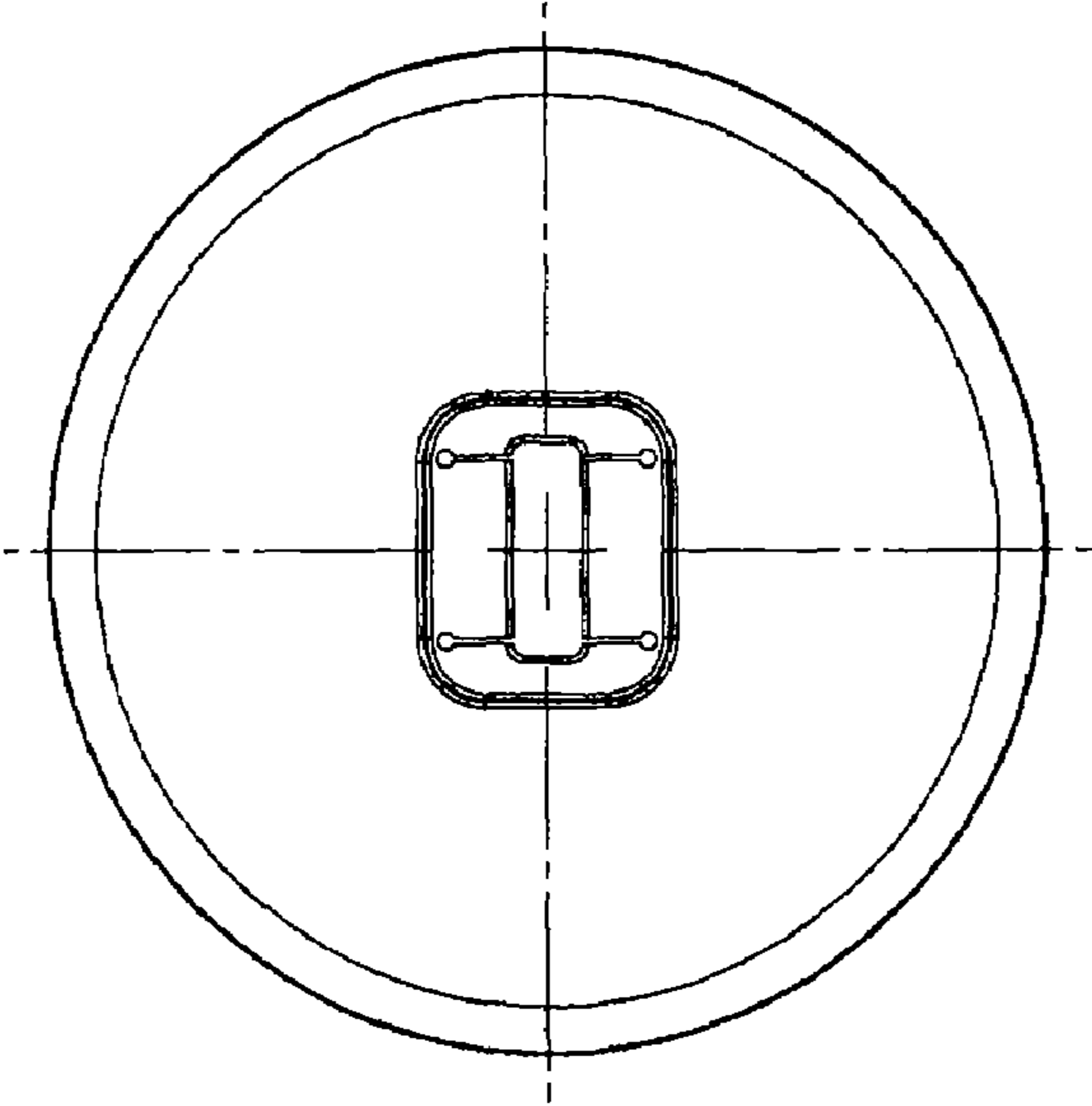


Fig. 8

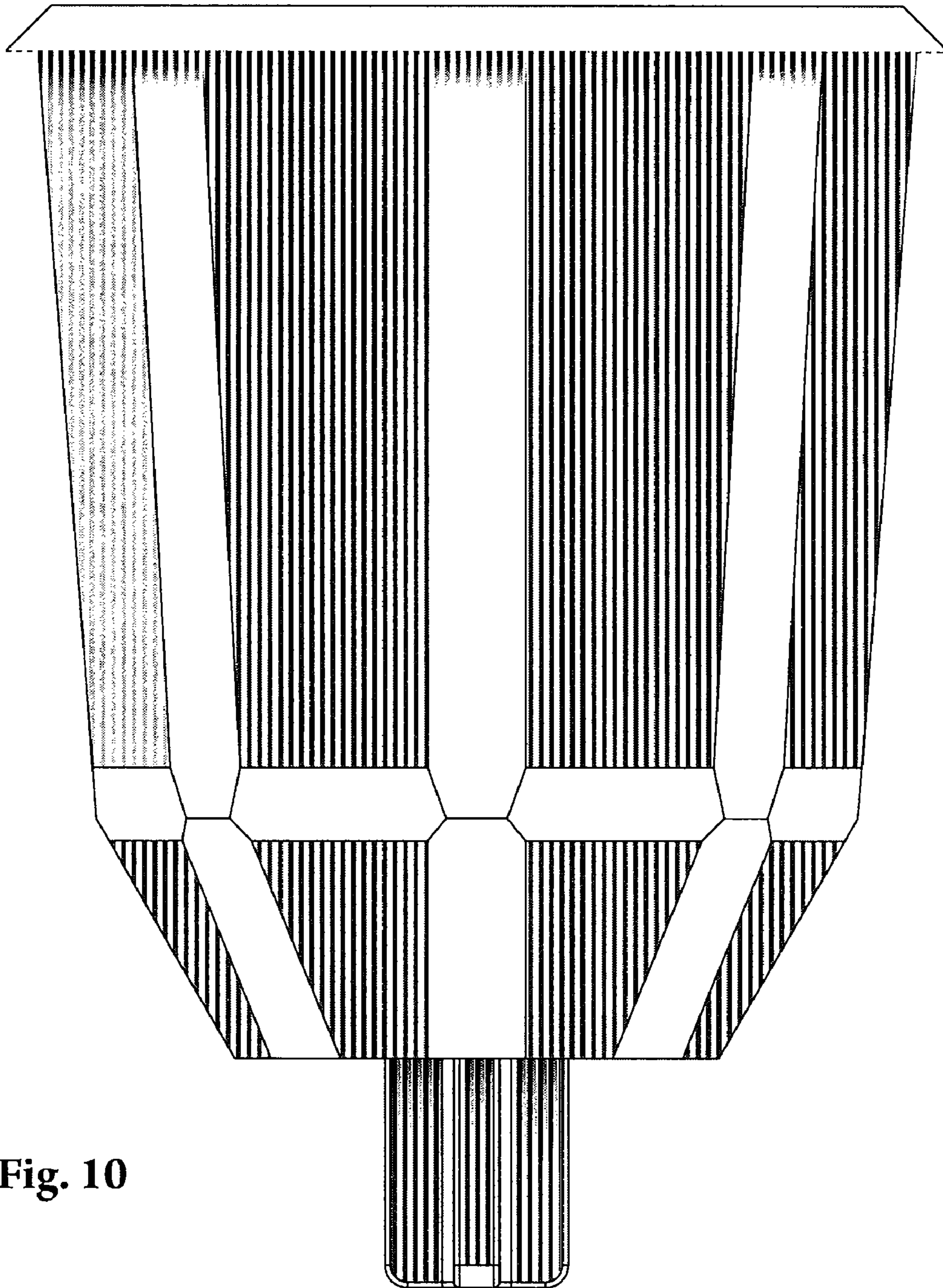


Fig. 10

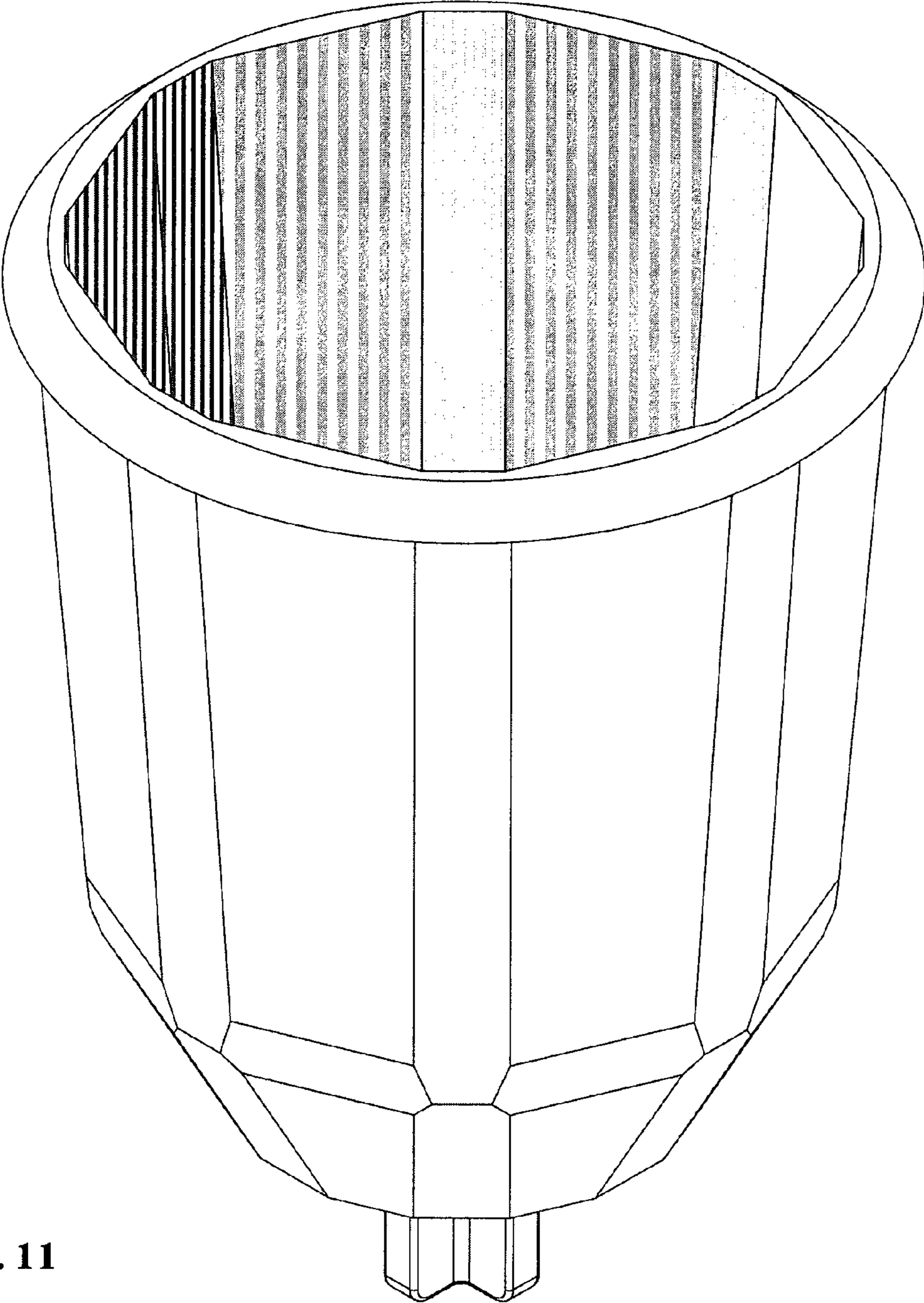


Fig. 11

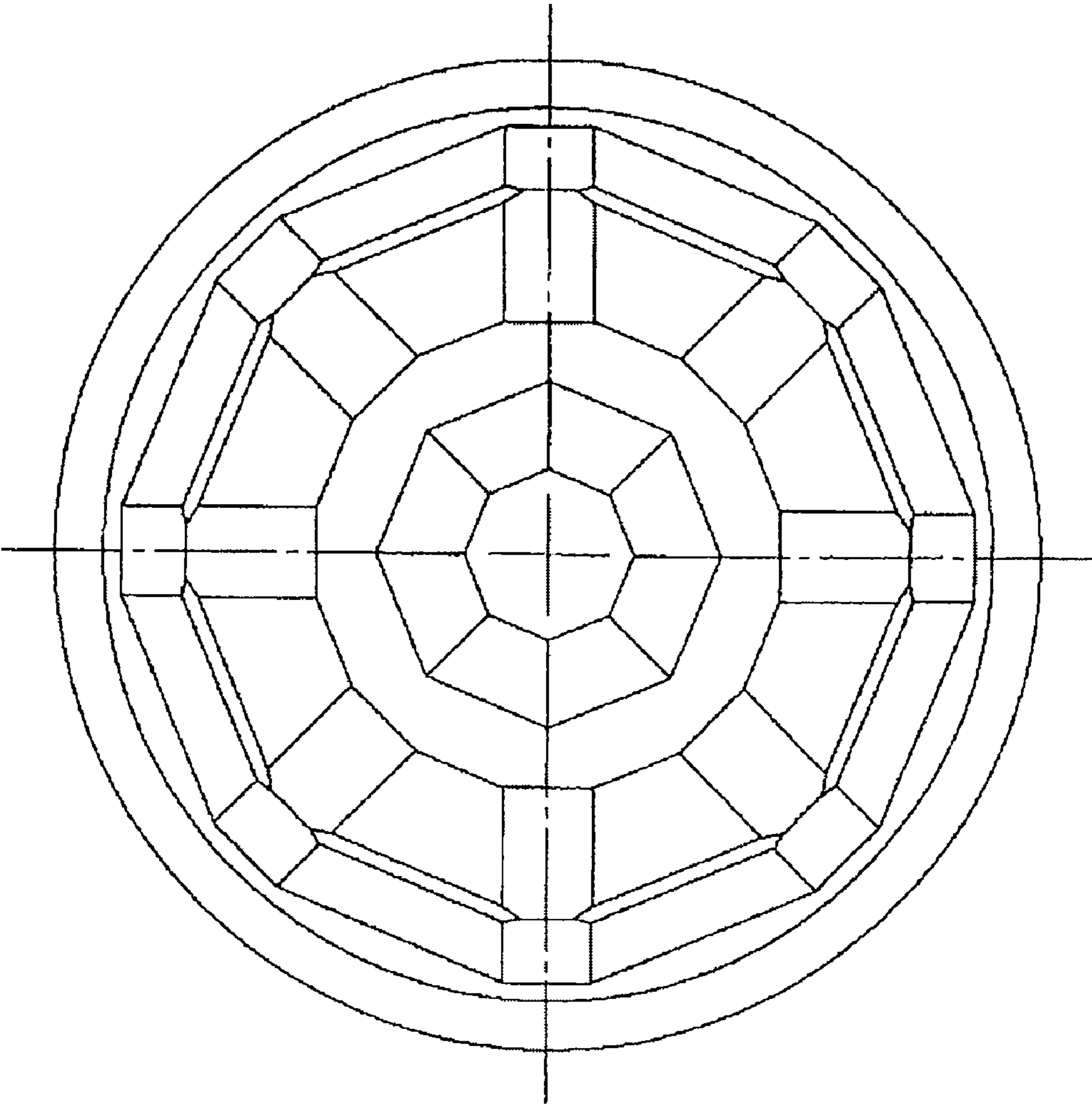


Fig. 12

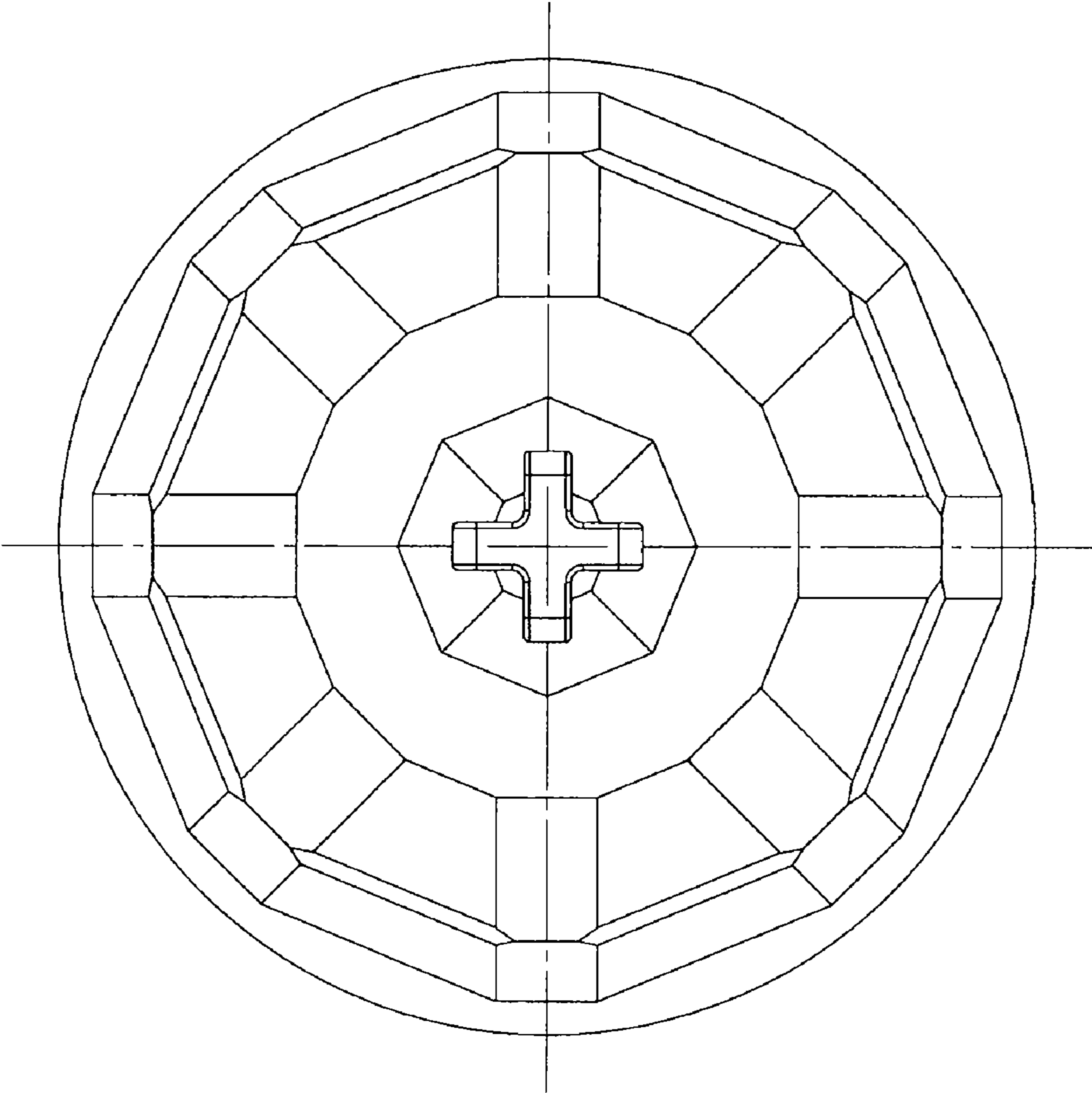


Fig. 13

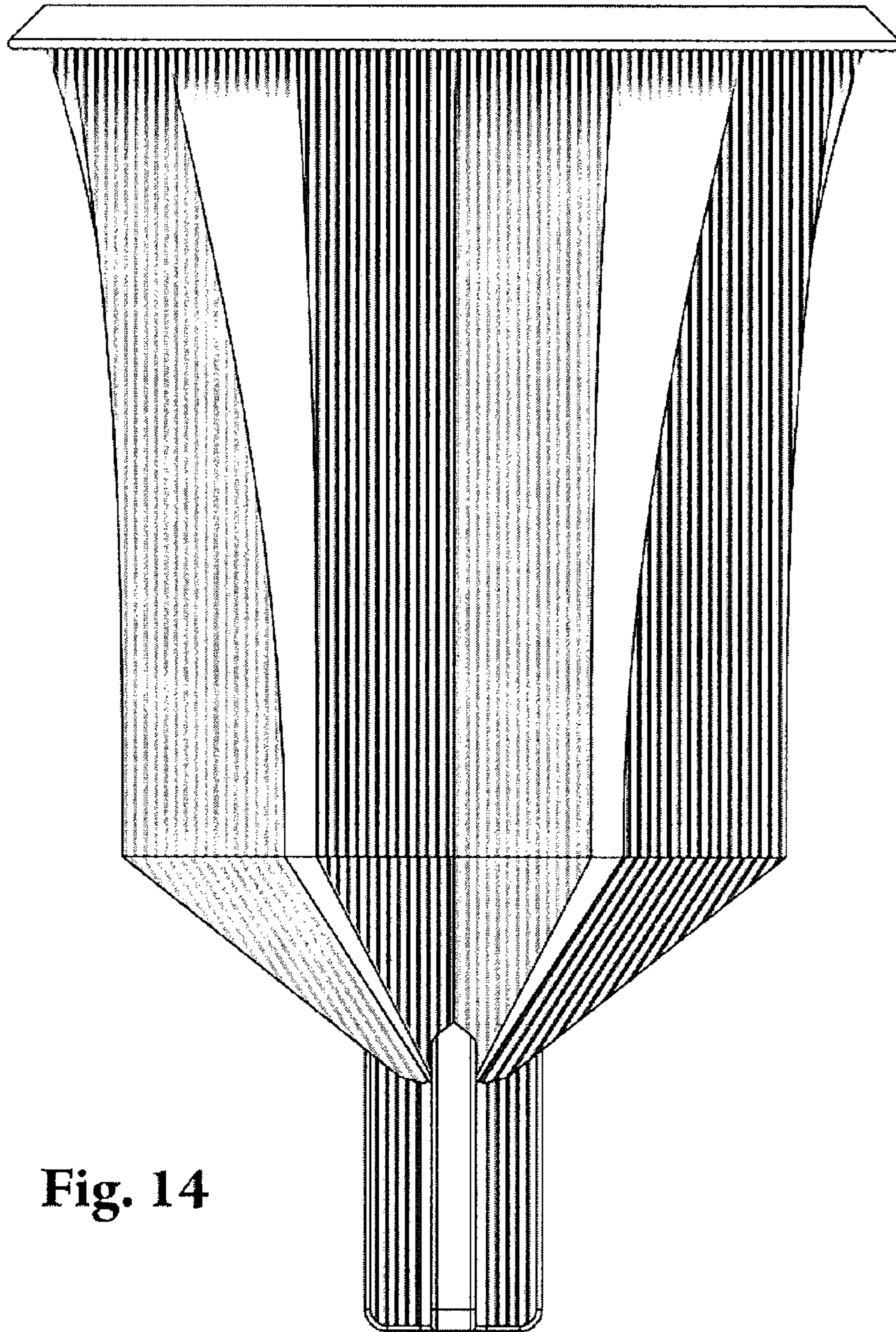


Fig. 14

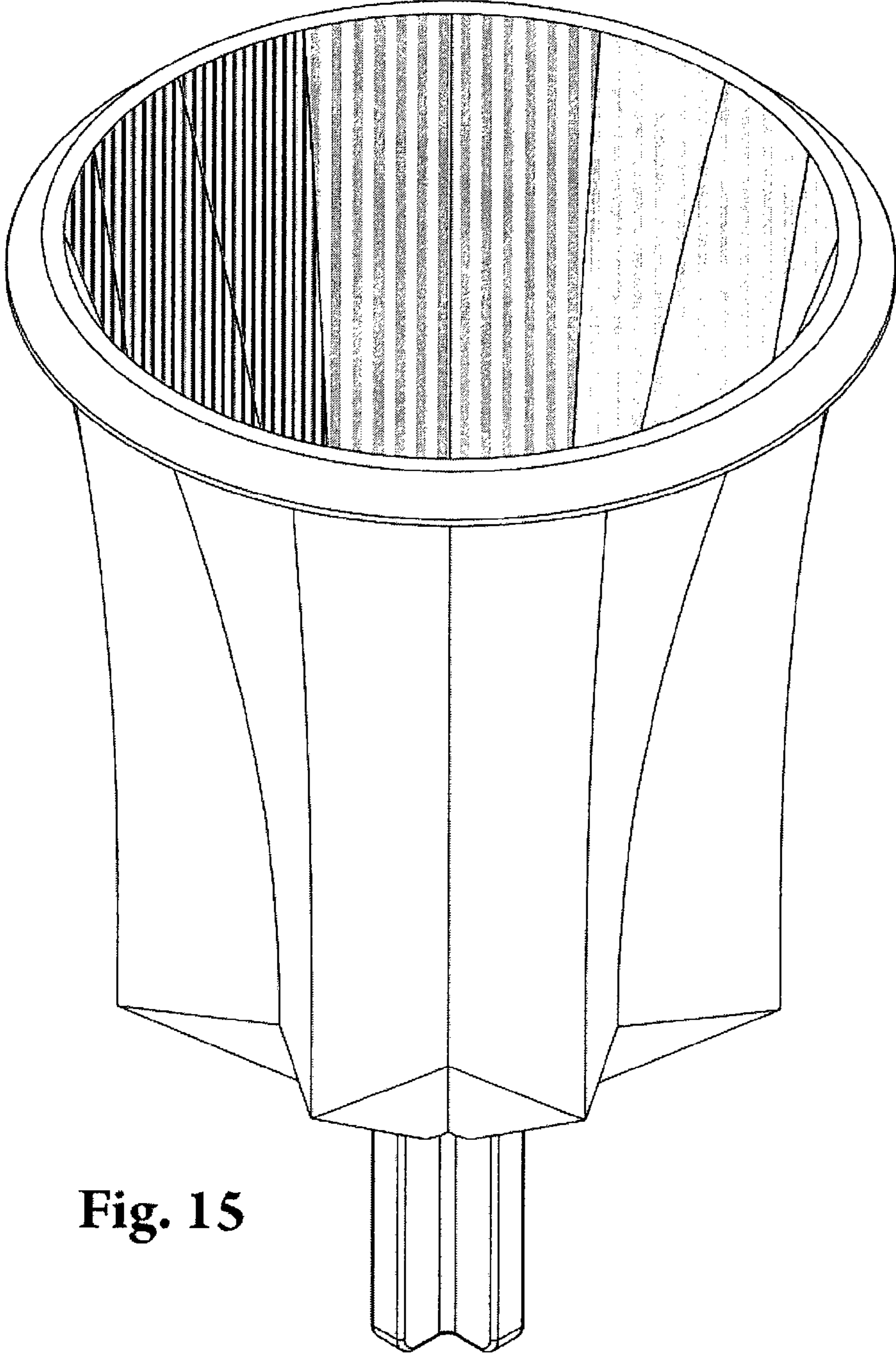


Fig. 15

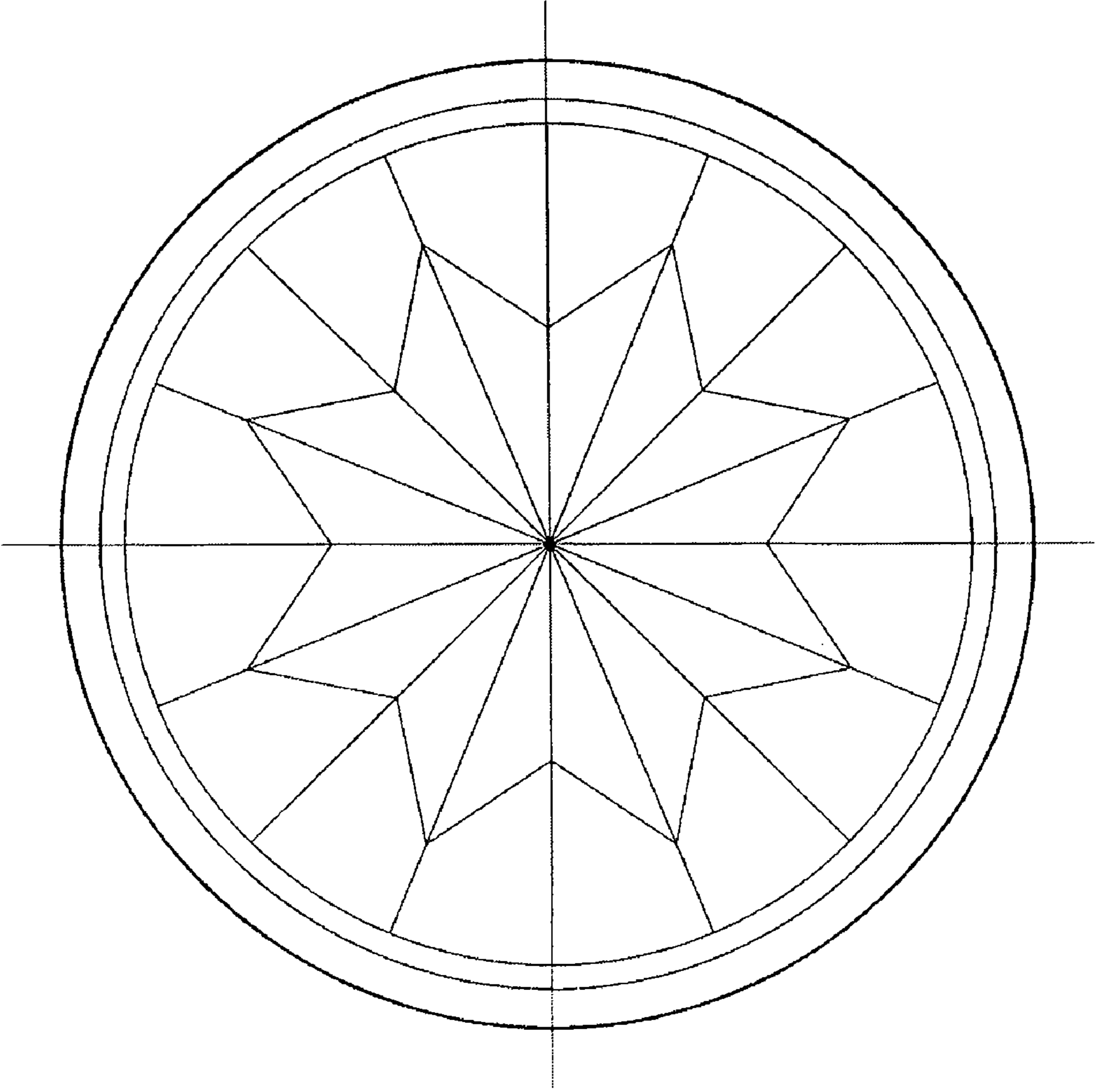


Fig. 16

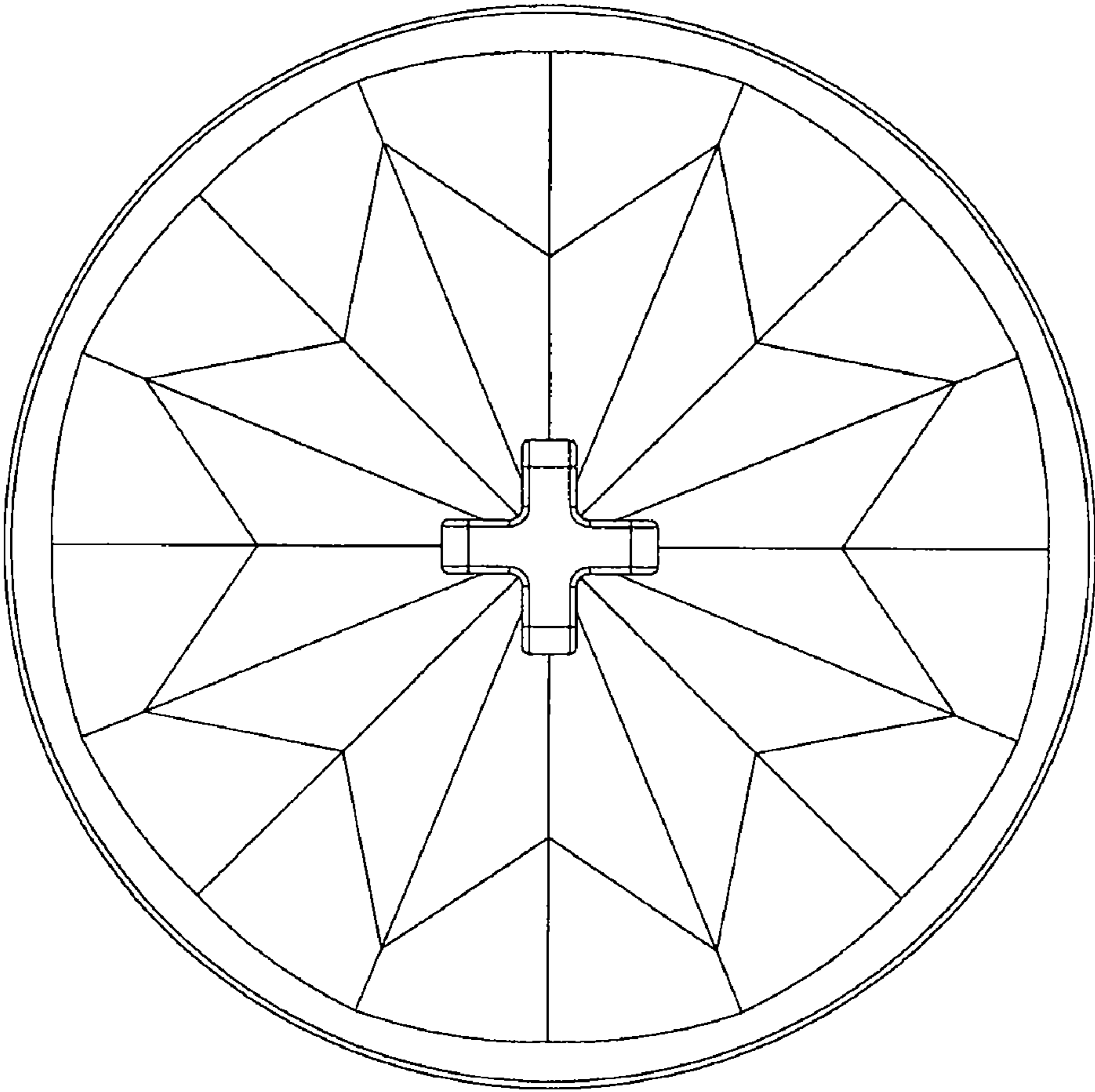


Fig. 17

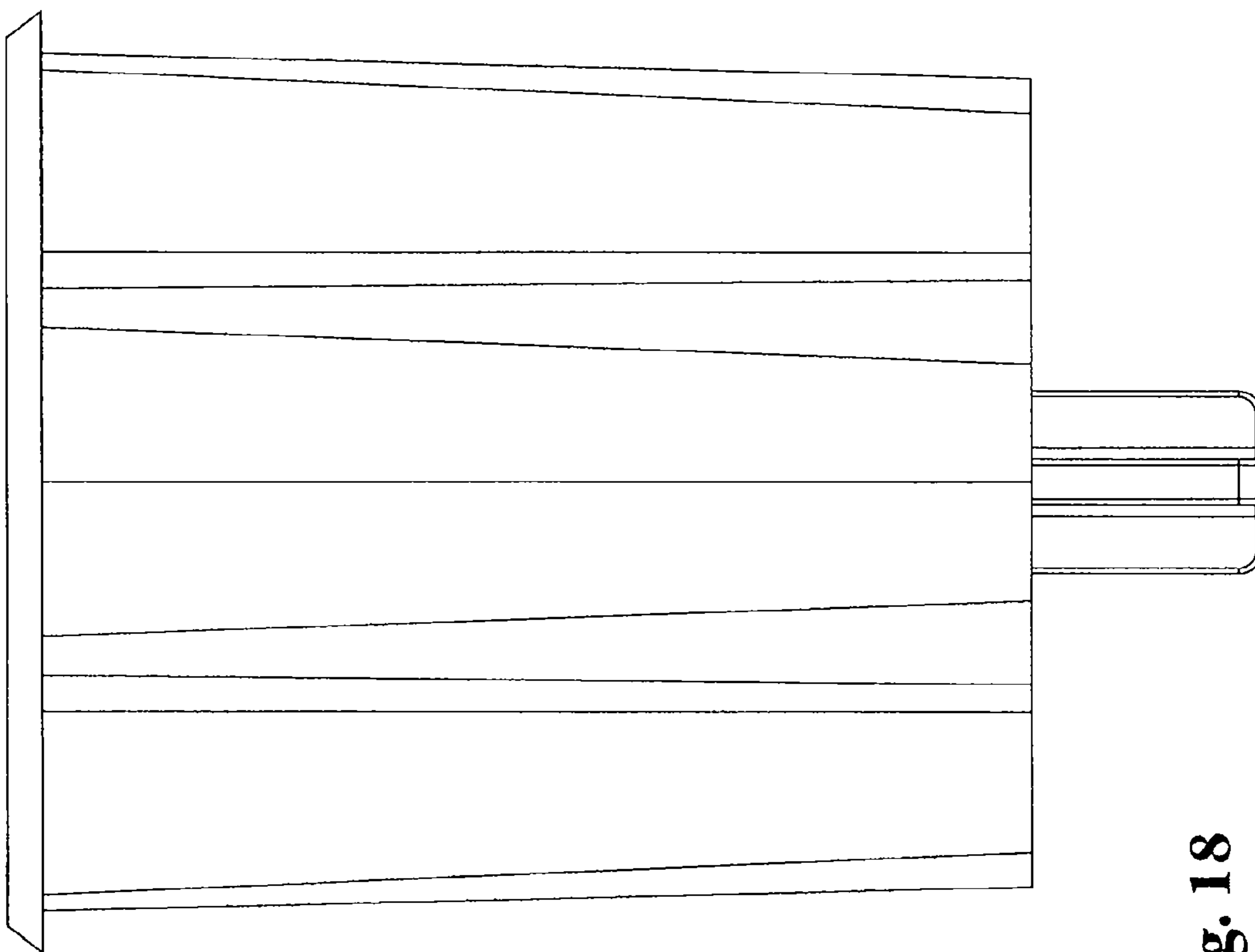


Fig. 18

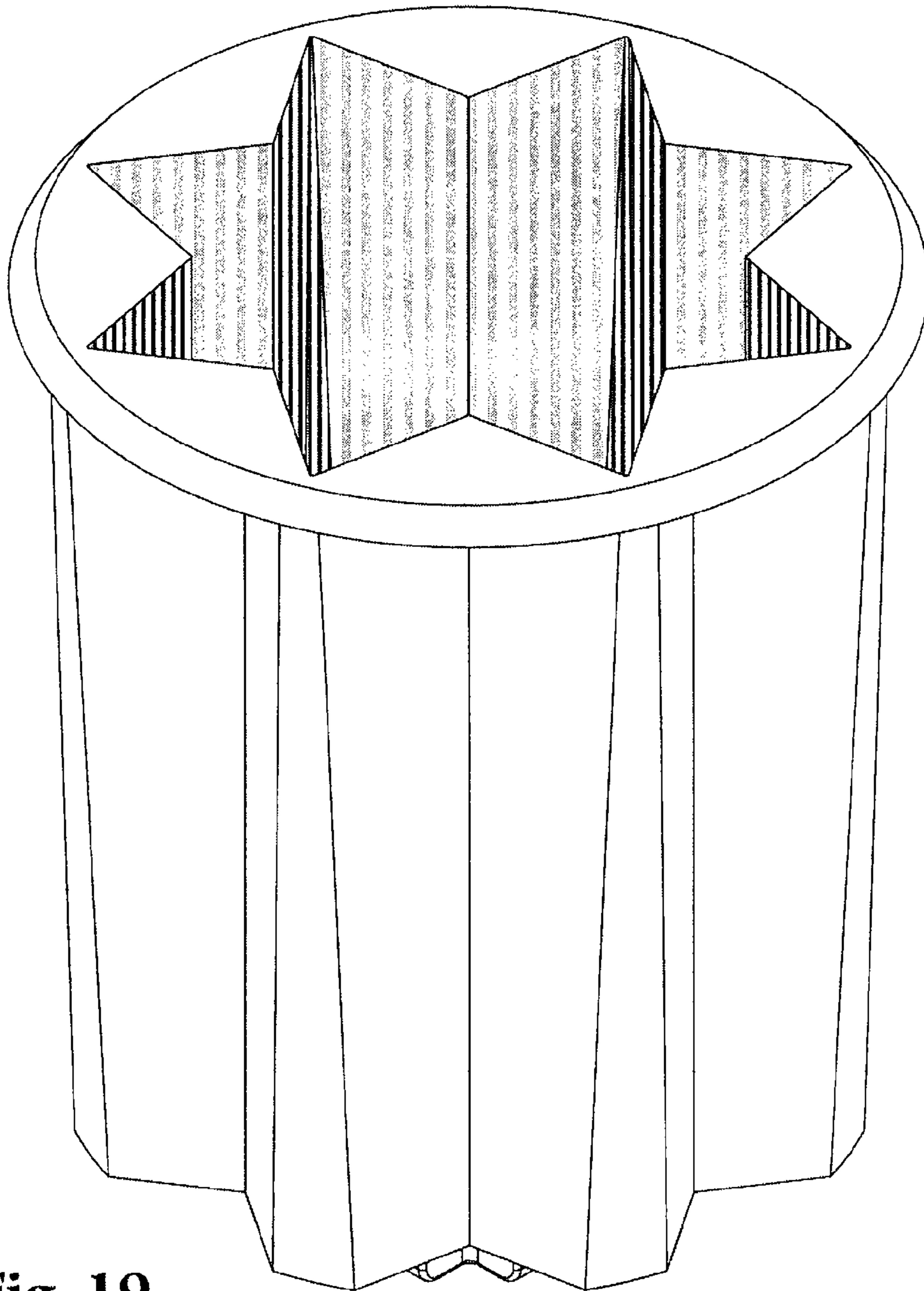


Fig. 19

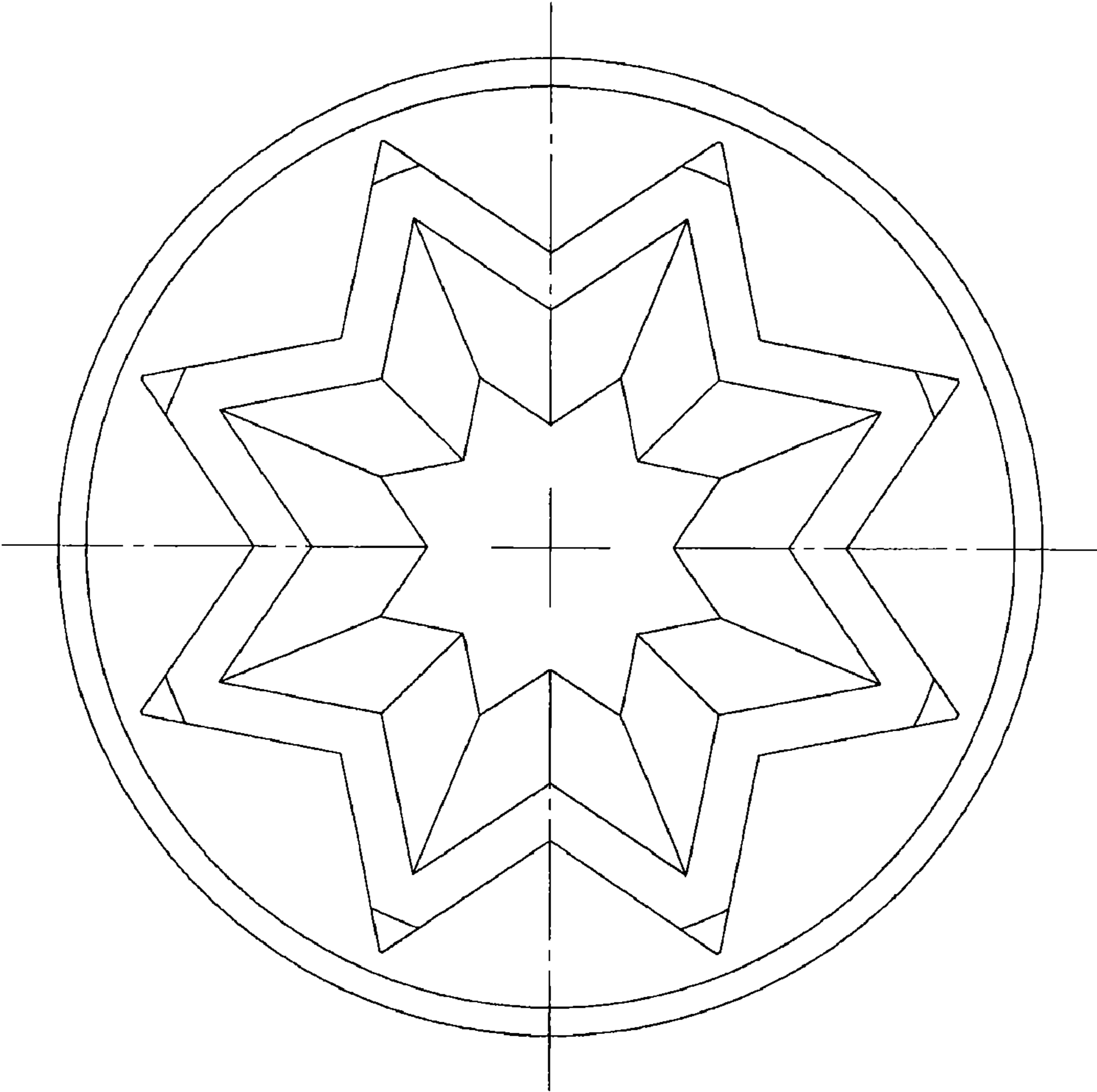


Fig. 20

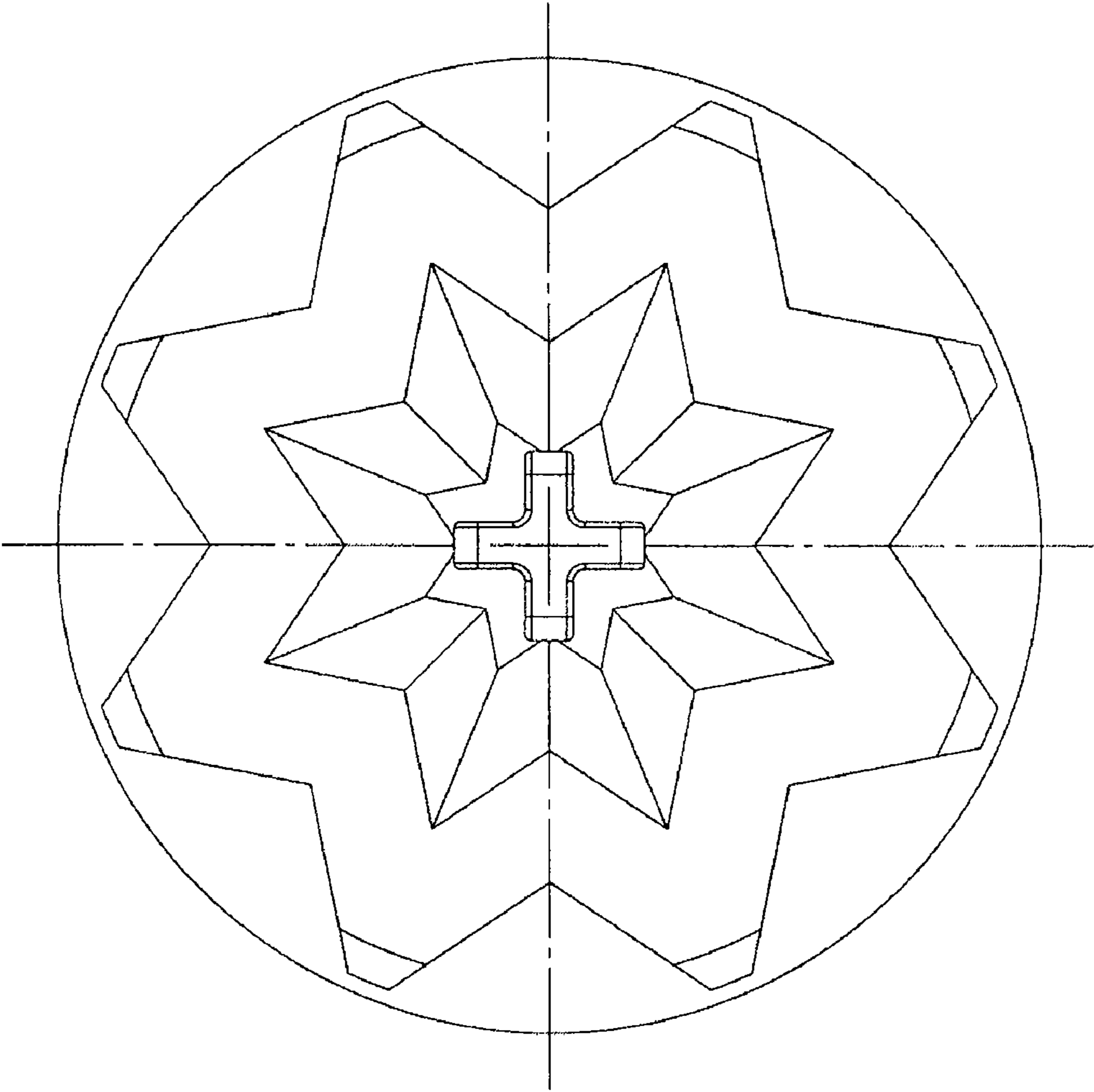


Fig. 21

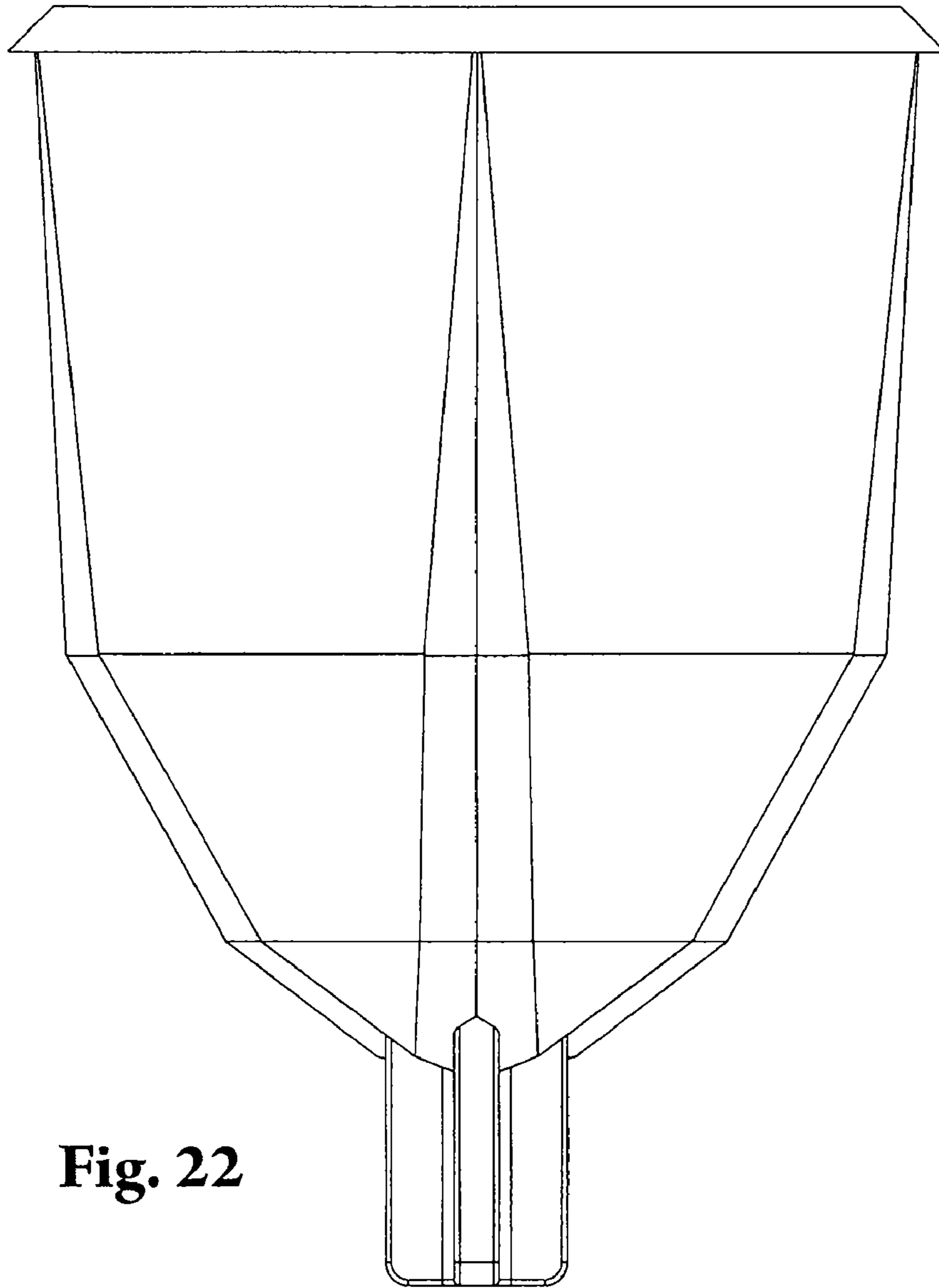


Fig. 22

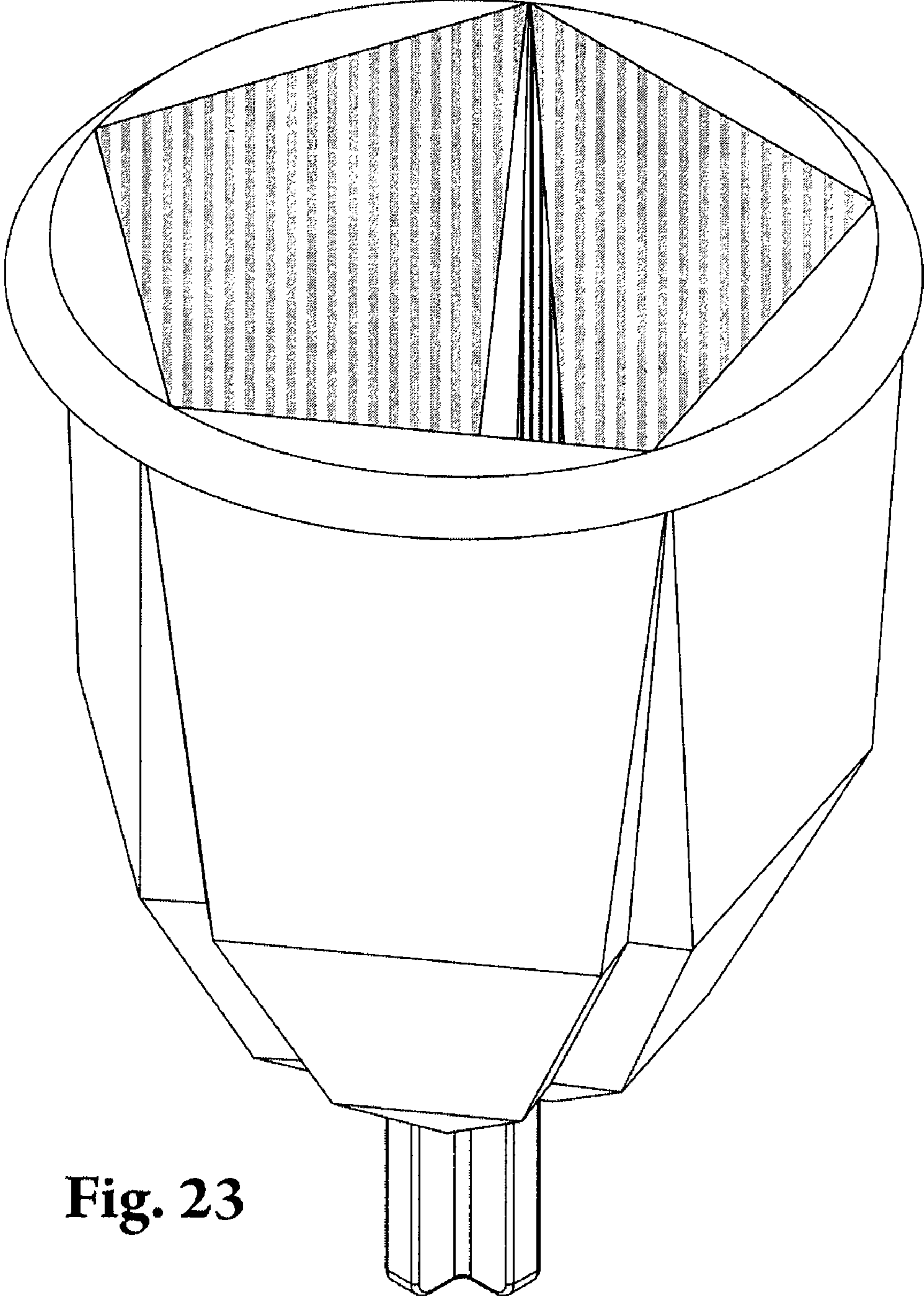


Fig. 23

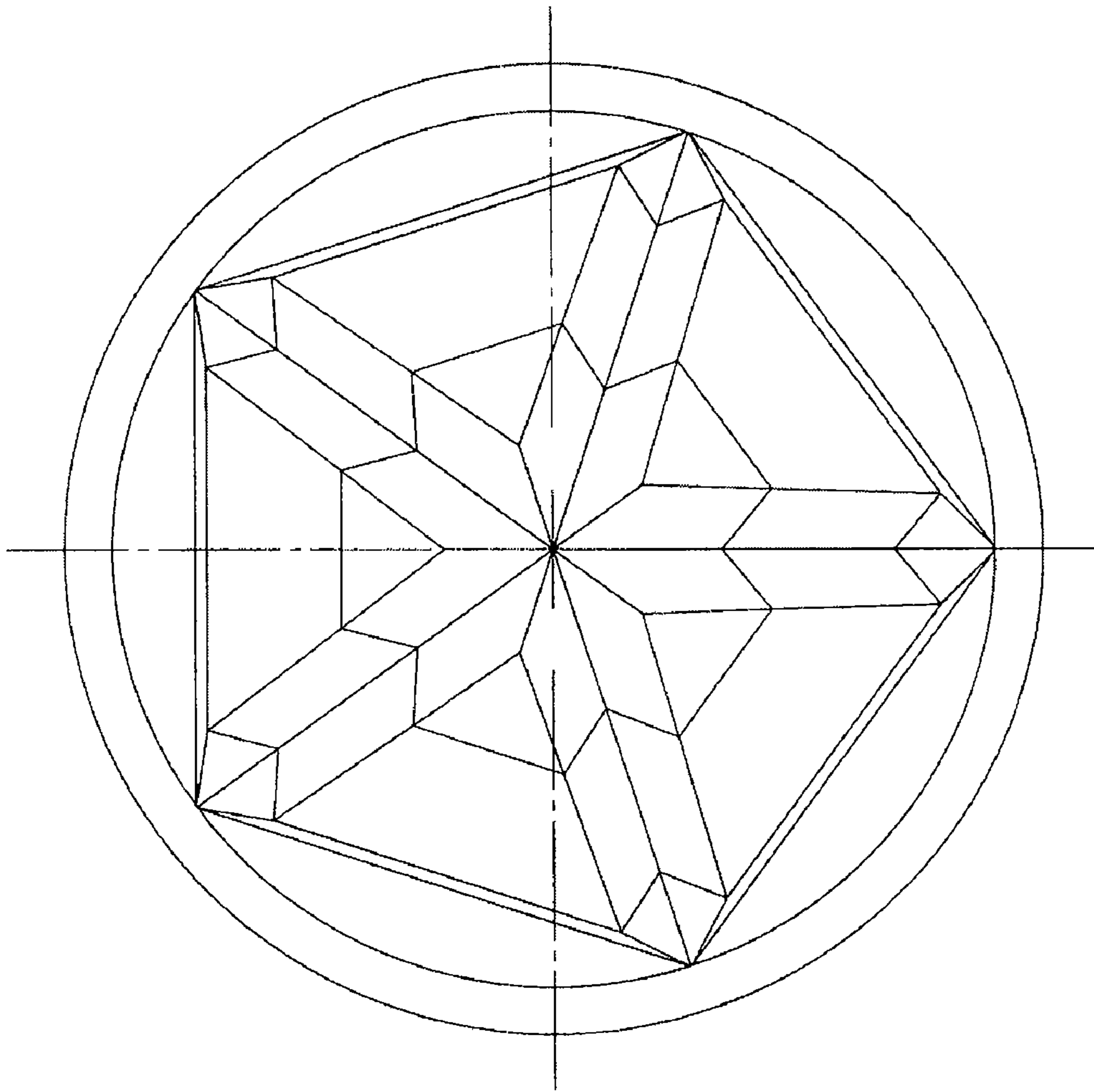


Fig. 24

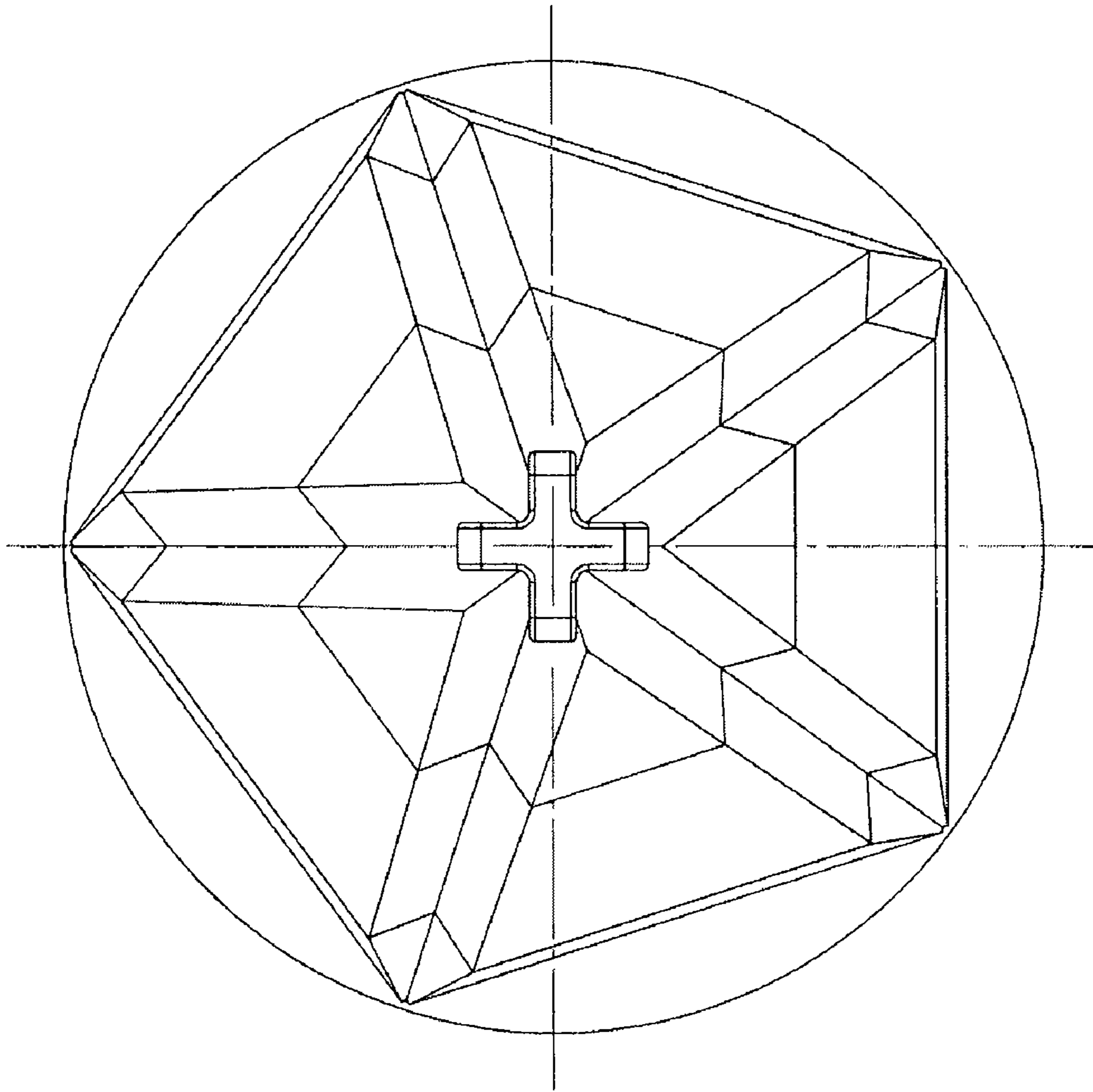


Fig. 25

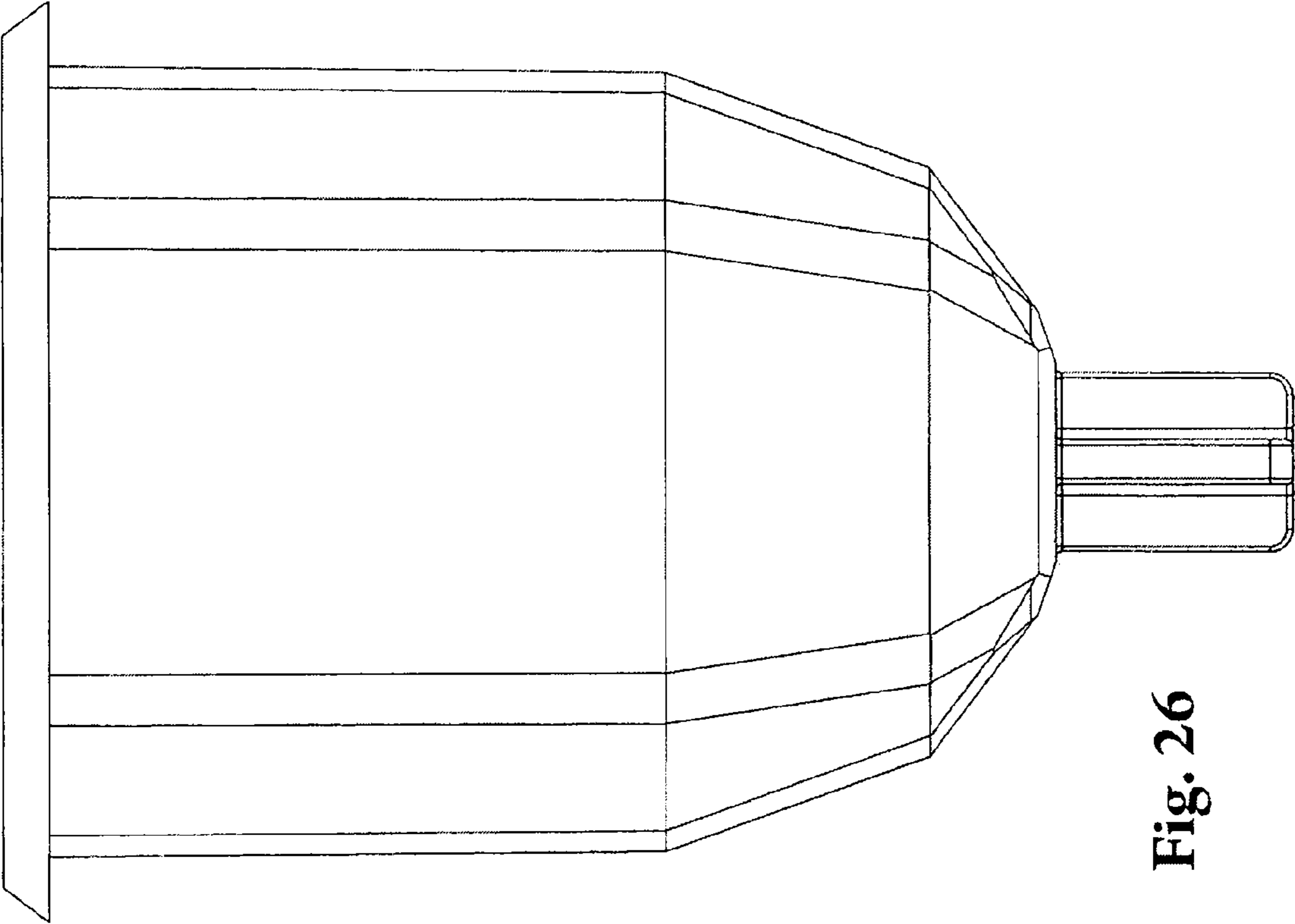


Fig. 26

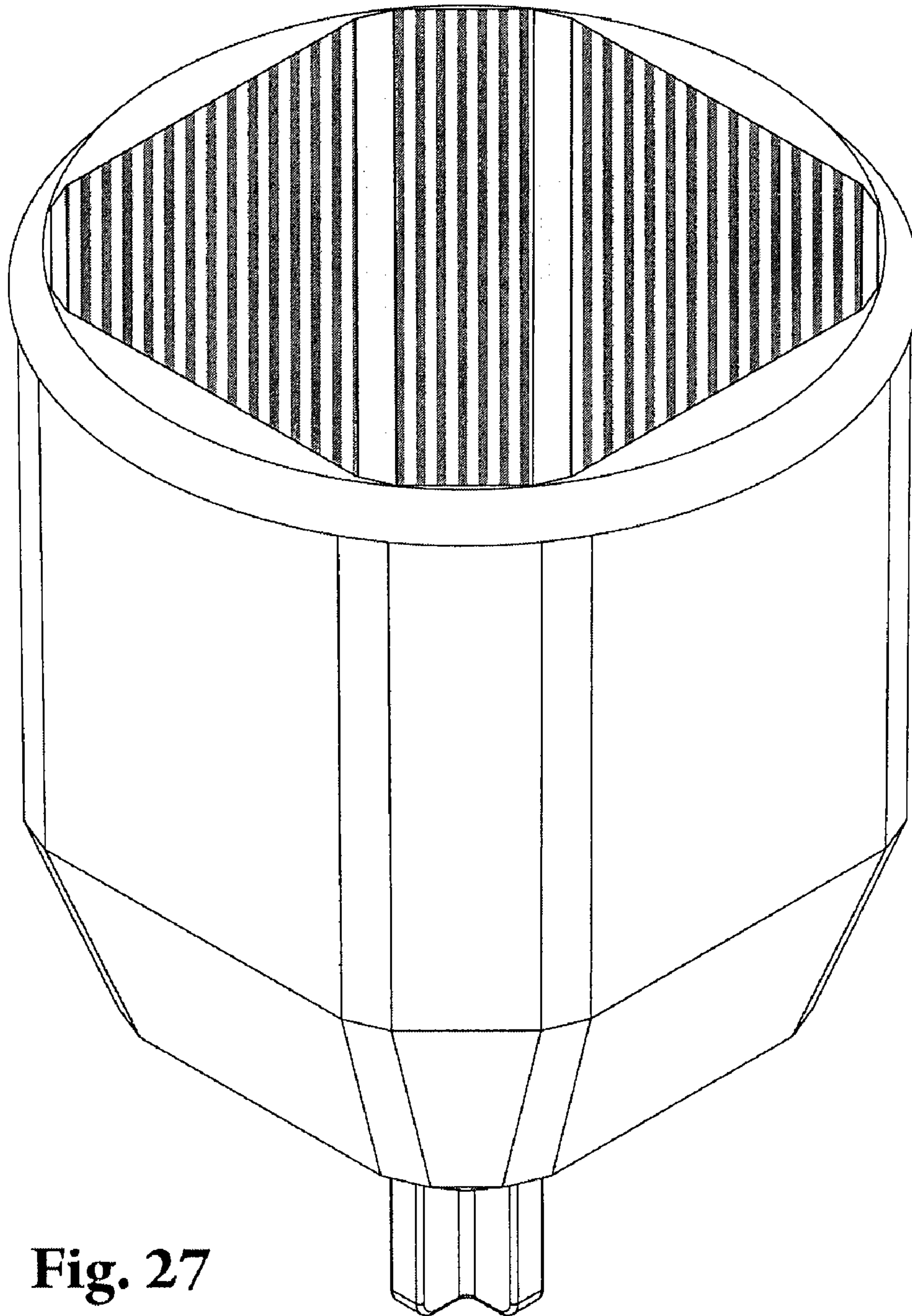


Fig. 27

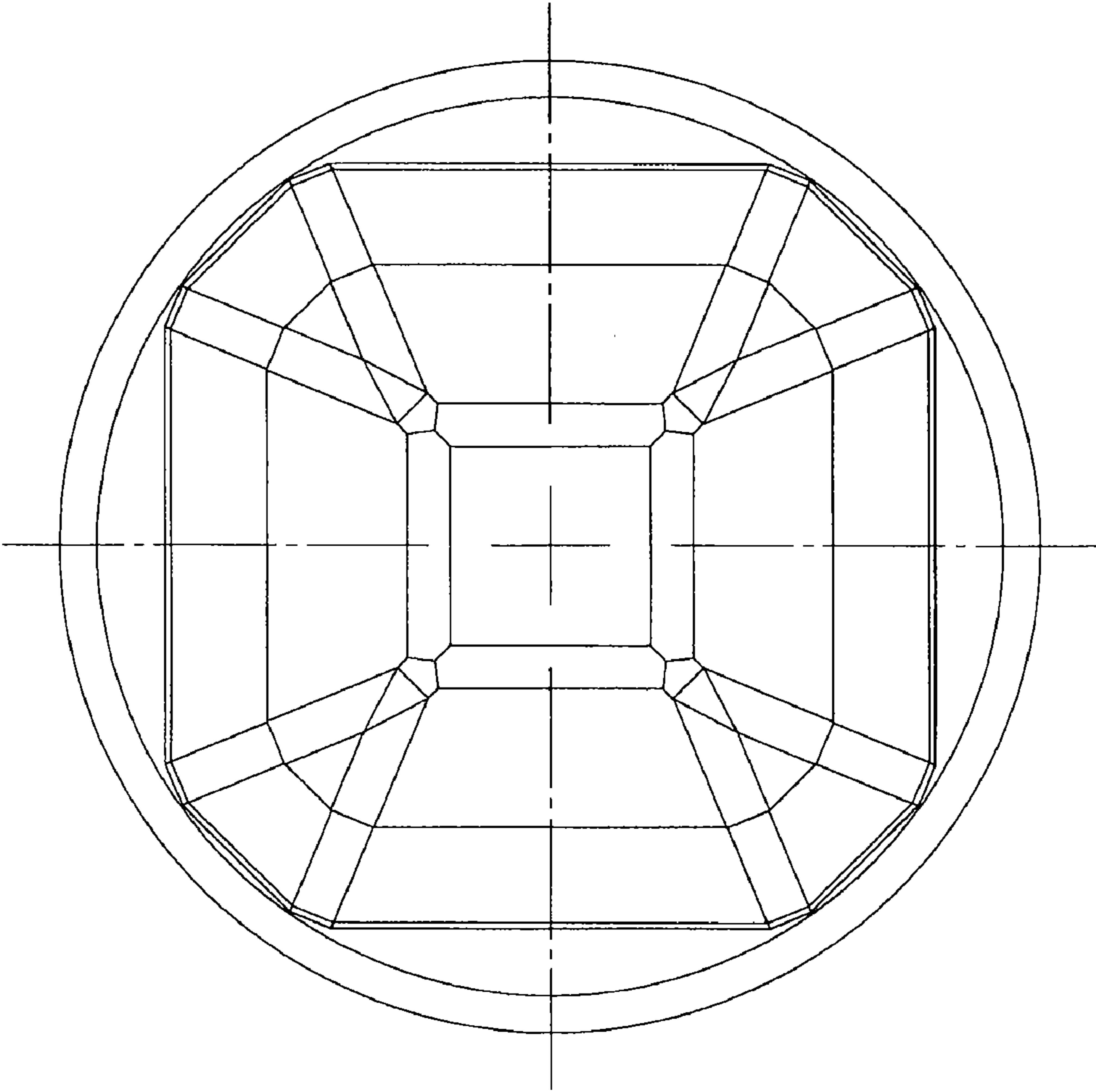


Fig. 28

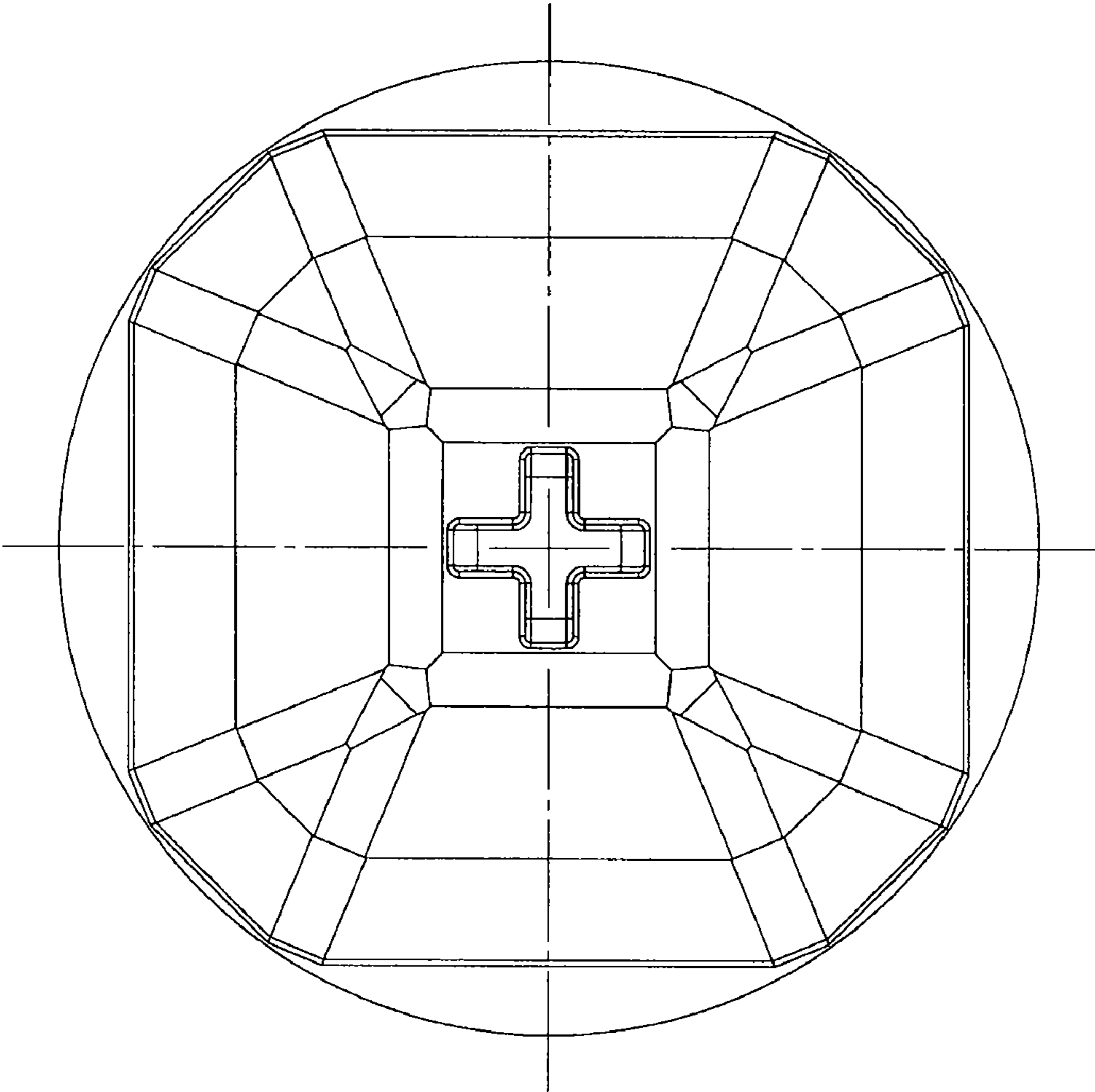


Fig. 29

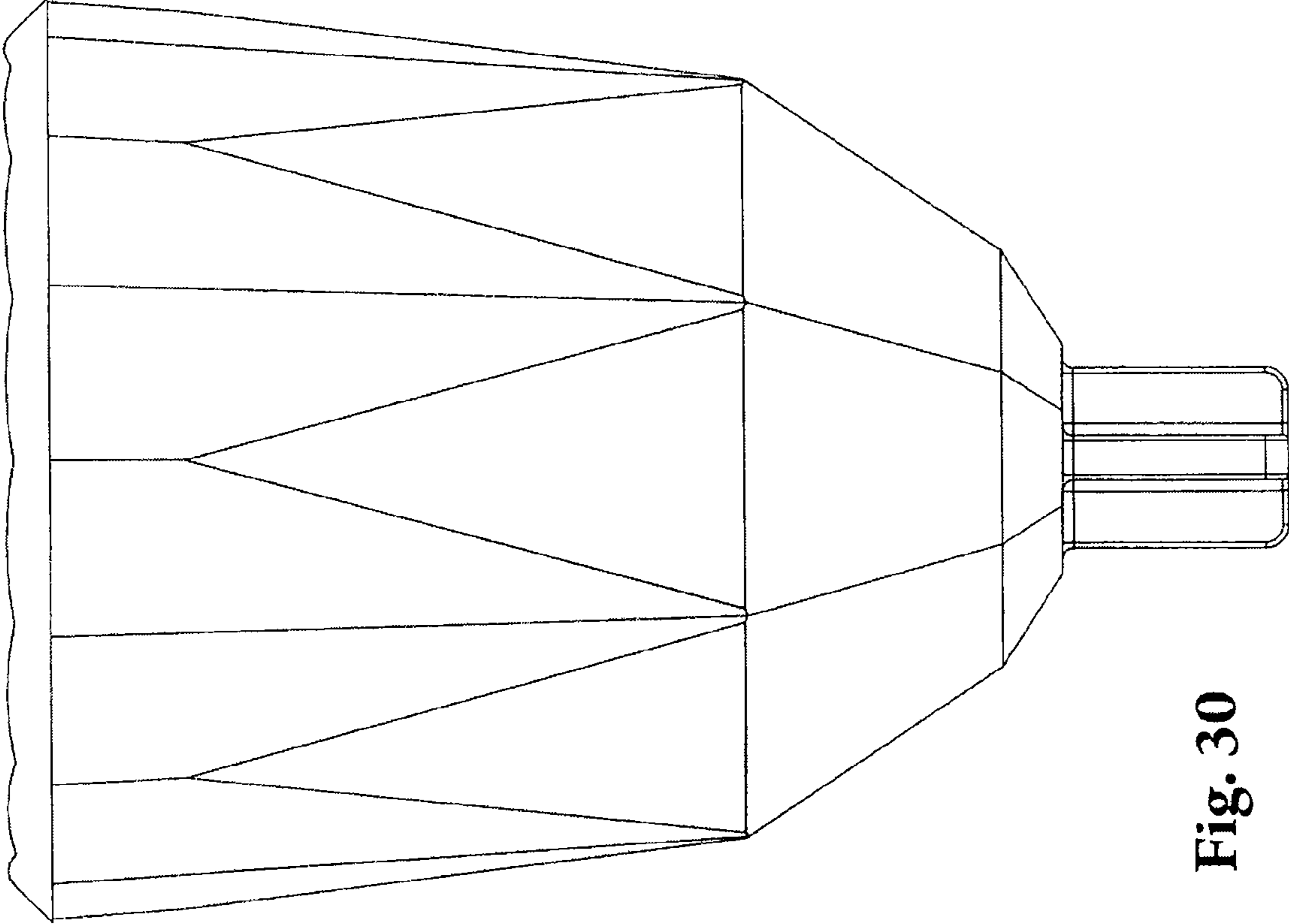


Fig. 30

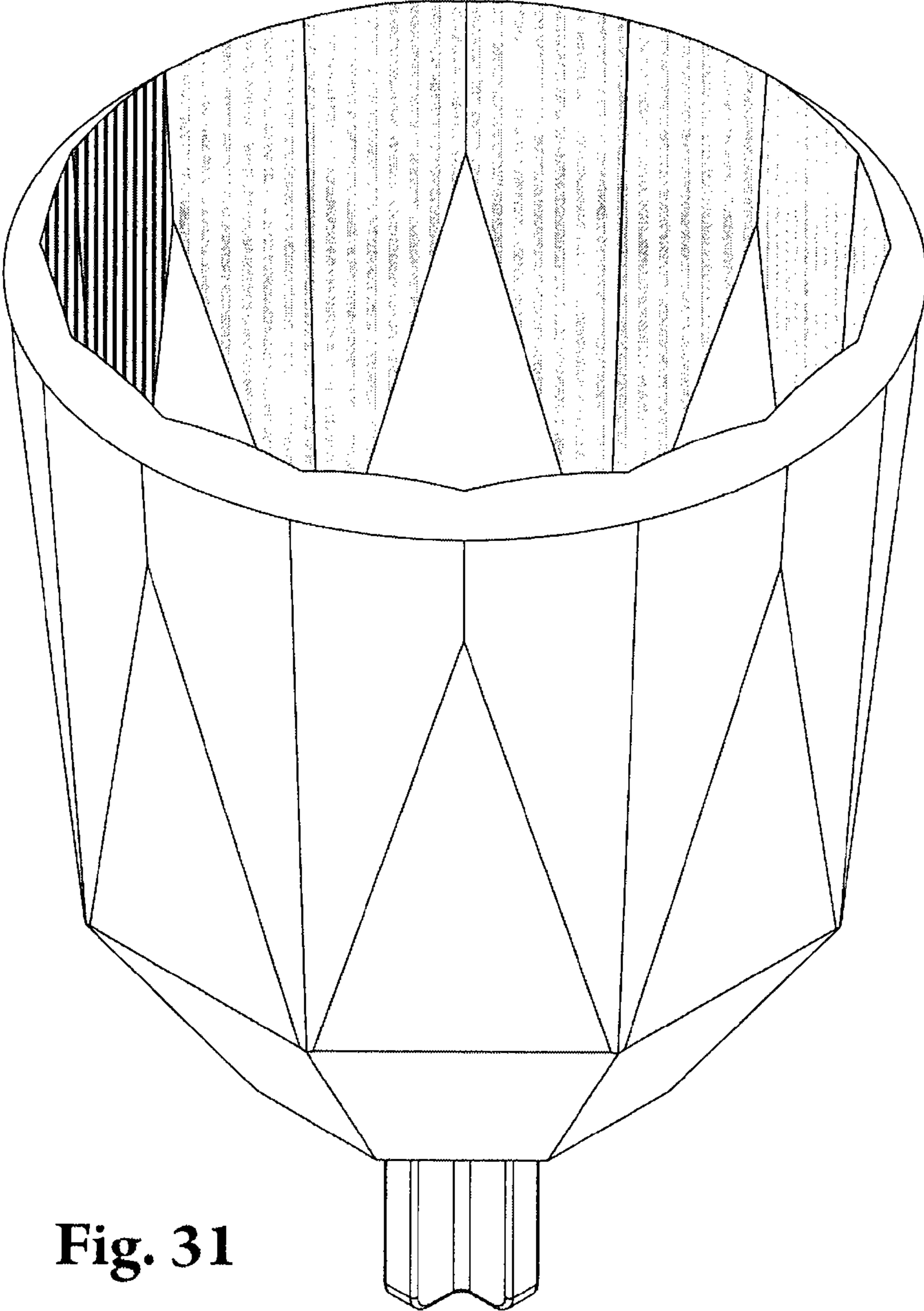


Fig. 31

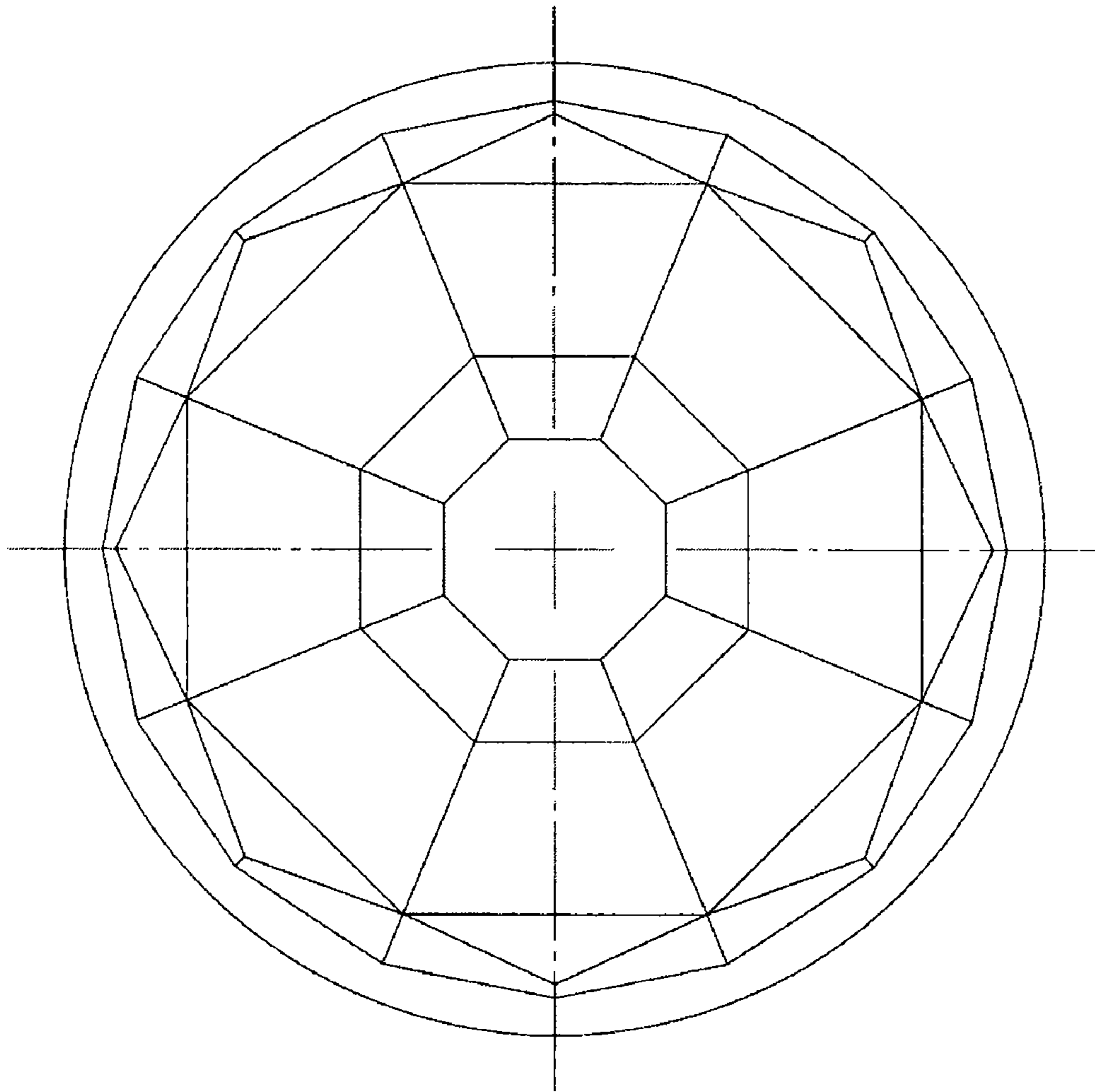


Fig. 32

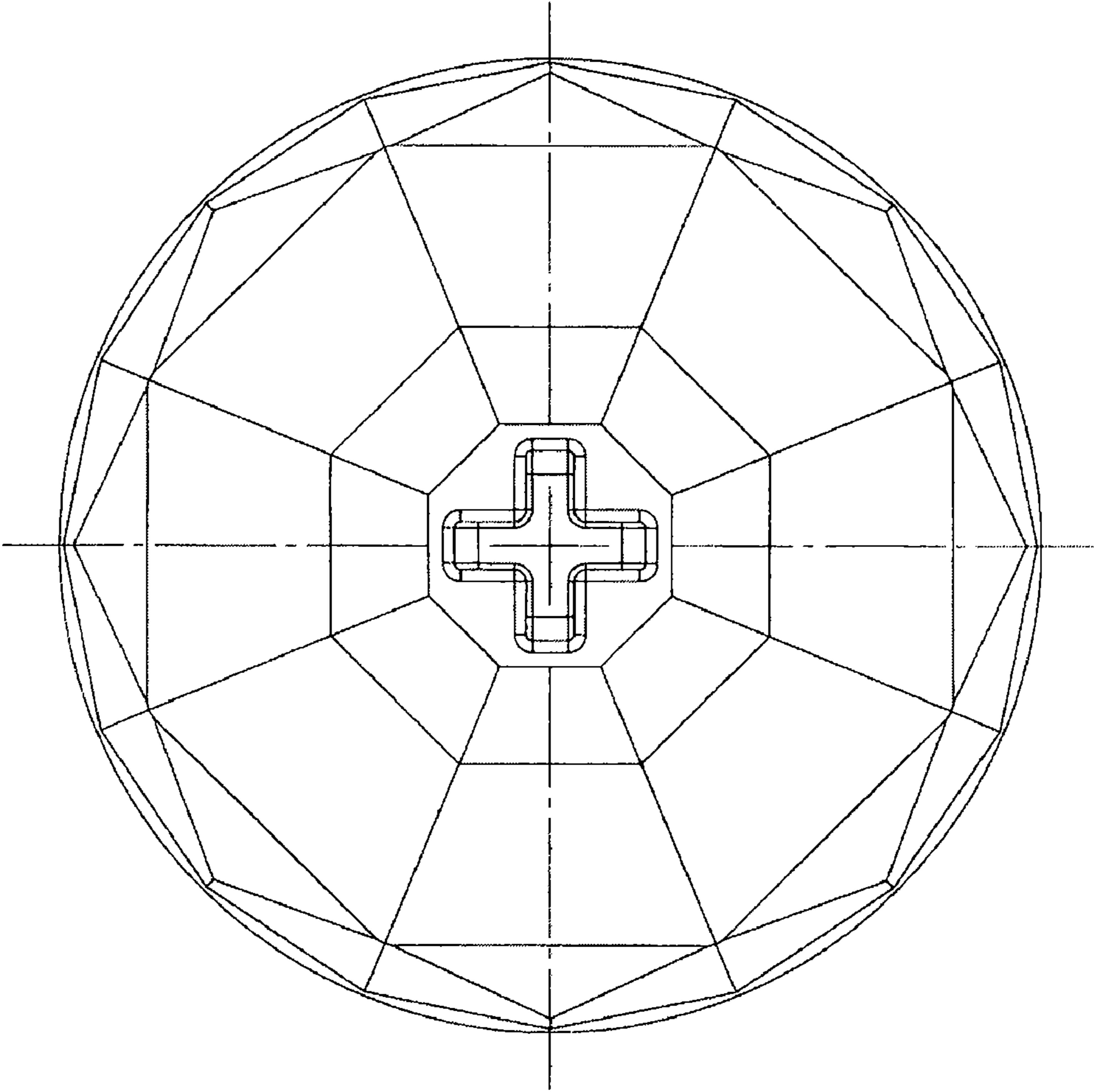


Fig. 33