



US00D613128S

(12) **United States Design Patent**
Blakeman

(10) **Patent No.:** **US D613,128 S**

(45) **Date of Patent:** **** Apr. 6, 2010**

(54) **SPORTS THEMED ICE CHEST**

D452,120 S * 12/2001 Brangle et al. D7/606
D530,571 S * 10/2006 Hemann et al. D7/606

(76) Inventor: **Ken Blakeman**, 10960 Fishers Island
St., Las Vegas, NV (US) 89141

* cited by examiner

(**) Term: **14 Years**

Primary Examiner—Terry A Wallace
(74) *Attorney, Agent, or Firm*—Weiner & Burt, P.C.; Irving
M. Weiner; Pamela S. Burt

(21) Appl. No.: **29/343,089**

(22) Filed: **Sep. 7, 2009**

(57) **CLAIM**

(51) **LOC (9) Cl.** **07-01**

The ornamental design for a sports themed ice chest, as shown
and described.

(52) **U.S. Cl.** **D7/606**

(58) **Field of Classification Search** D7/603–608,
D7/628; D3/270, 271.1, 271.9, 273; 220/915.1,
220/915.2, 592.2; 62/457.1–457.8, 371,
62/372

DESCRIPTION

See application file for complete search history.

FIG. 1 is a perspective view of a sports themed ice chest
showing my new design;

FIG. 2 is a top plan view thereof;

FIG. 3 is a bottom view thereof;

FIG. 4 is a front elevational view thereof;

FIG. 5 is a right side elevational view thereof;

FIG. 6 is a rear elevational view thereof; and,

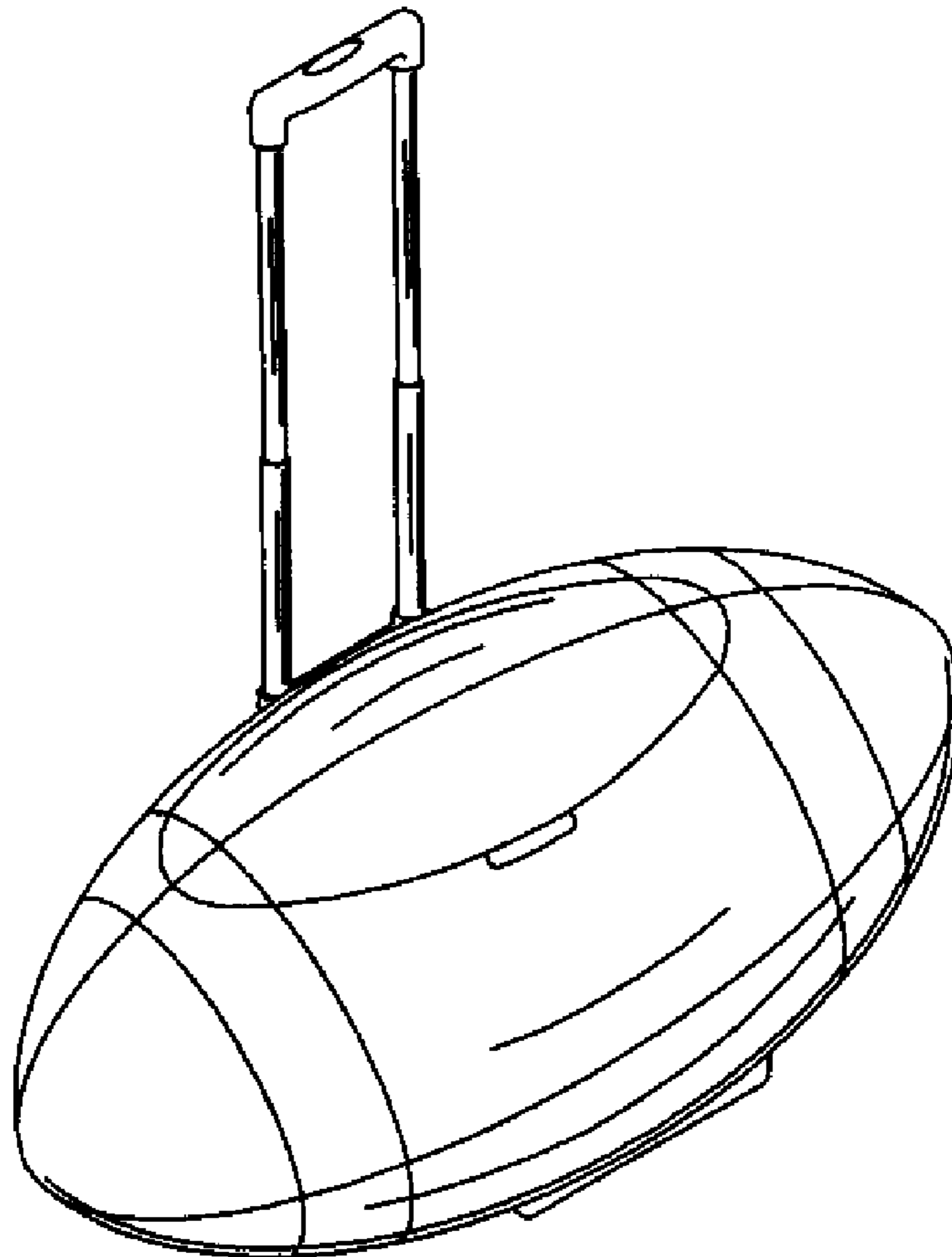
FIG. 7 is a left elevational view thereof.

(56) **References Cited**

U.S. PATENT DOCUMENTS

4,164,284 A * 8/1979 Witt et al. 206/217
D349,009 S * 7/1994 Minor D7/606
D370,391 S * 6/1996 Bauer et al. D7/606
D401,117 S * 11/1998 Anderson et al. D7/606
D409,050 S * 5/1999 Anderson et al. D7/606

1 Claim, 2 Drawing Sheets



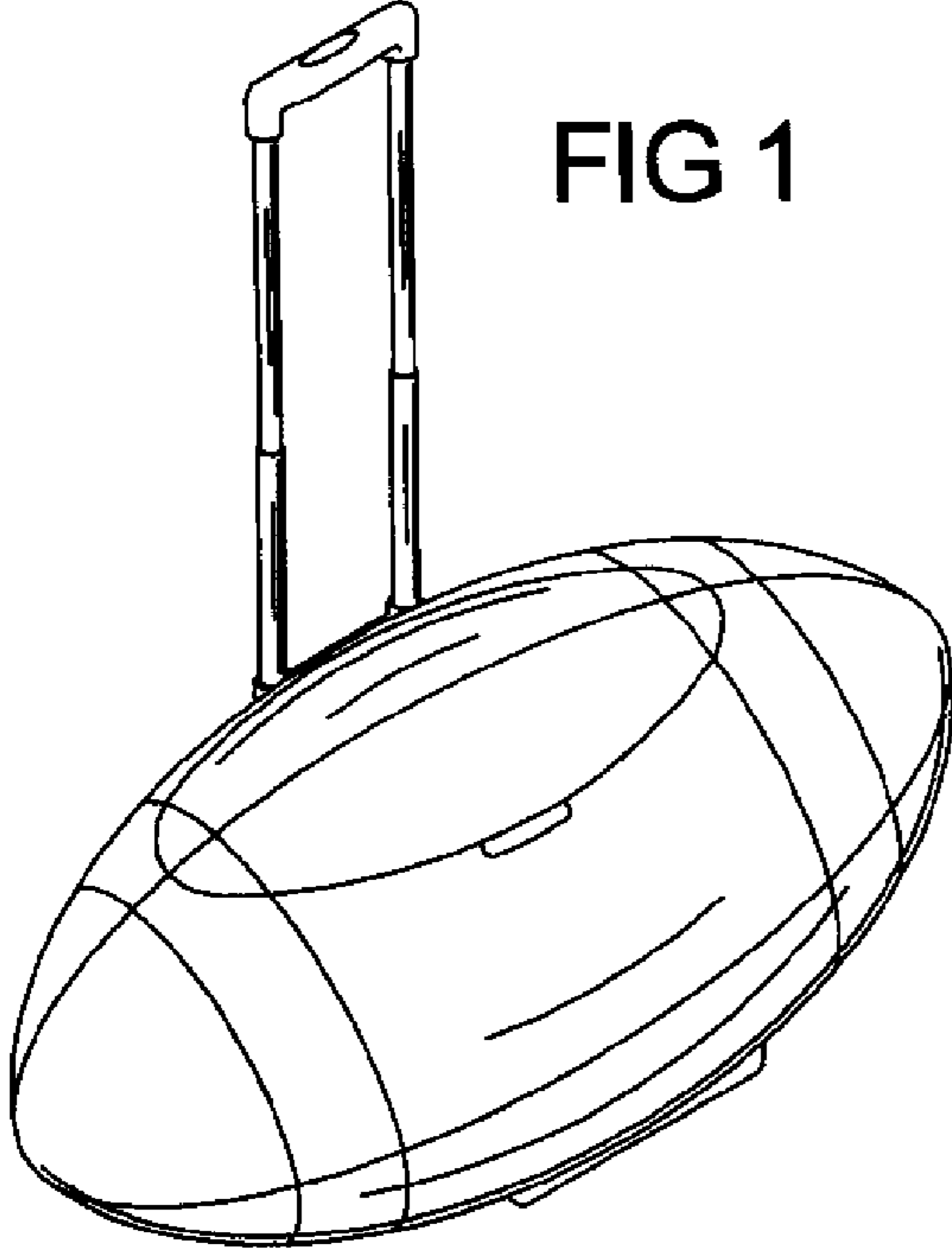


FIG 1

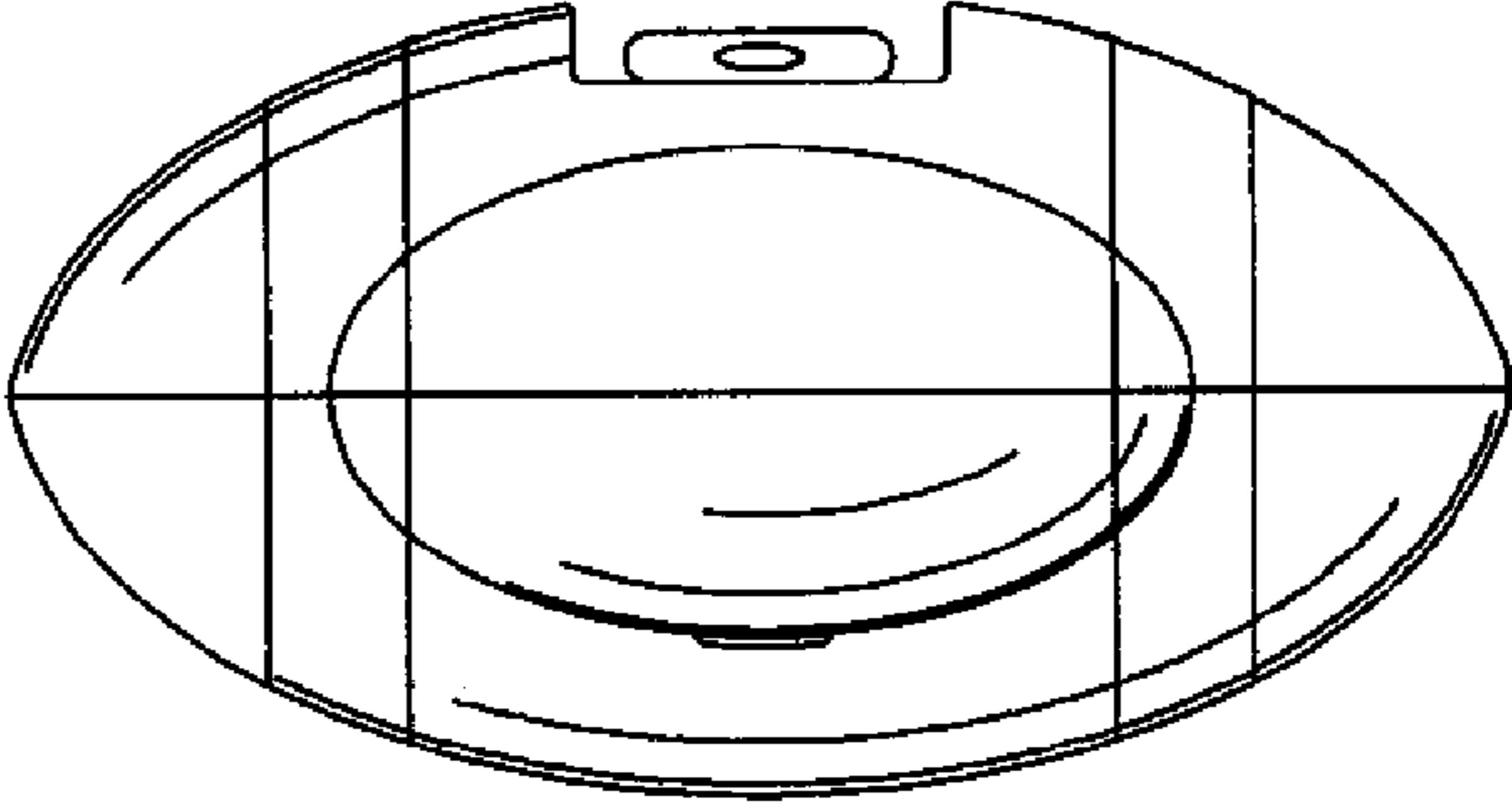


FIG 2

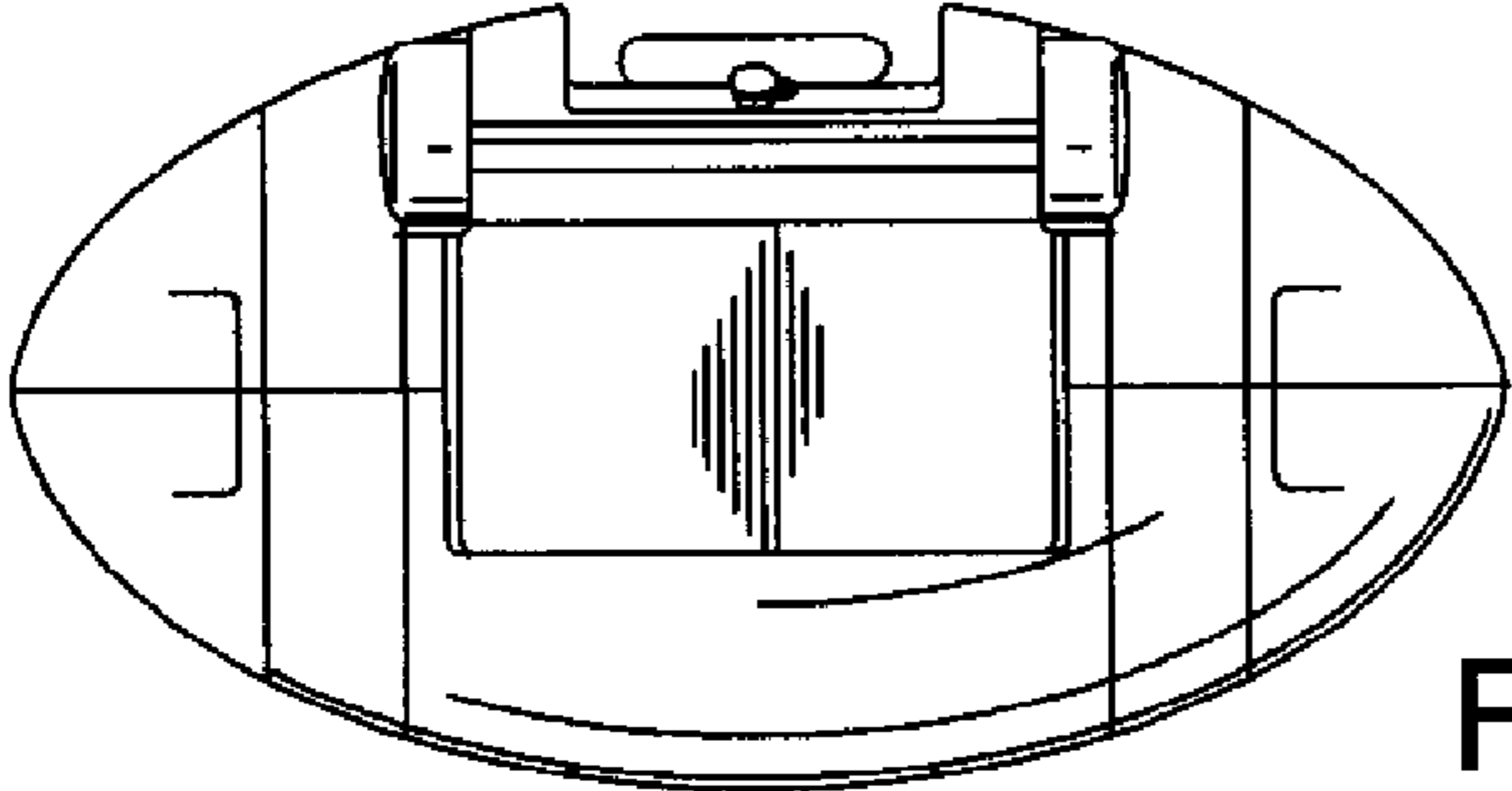


FIG 3

FIG 4

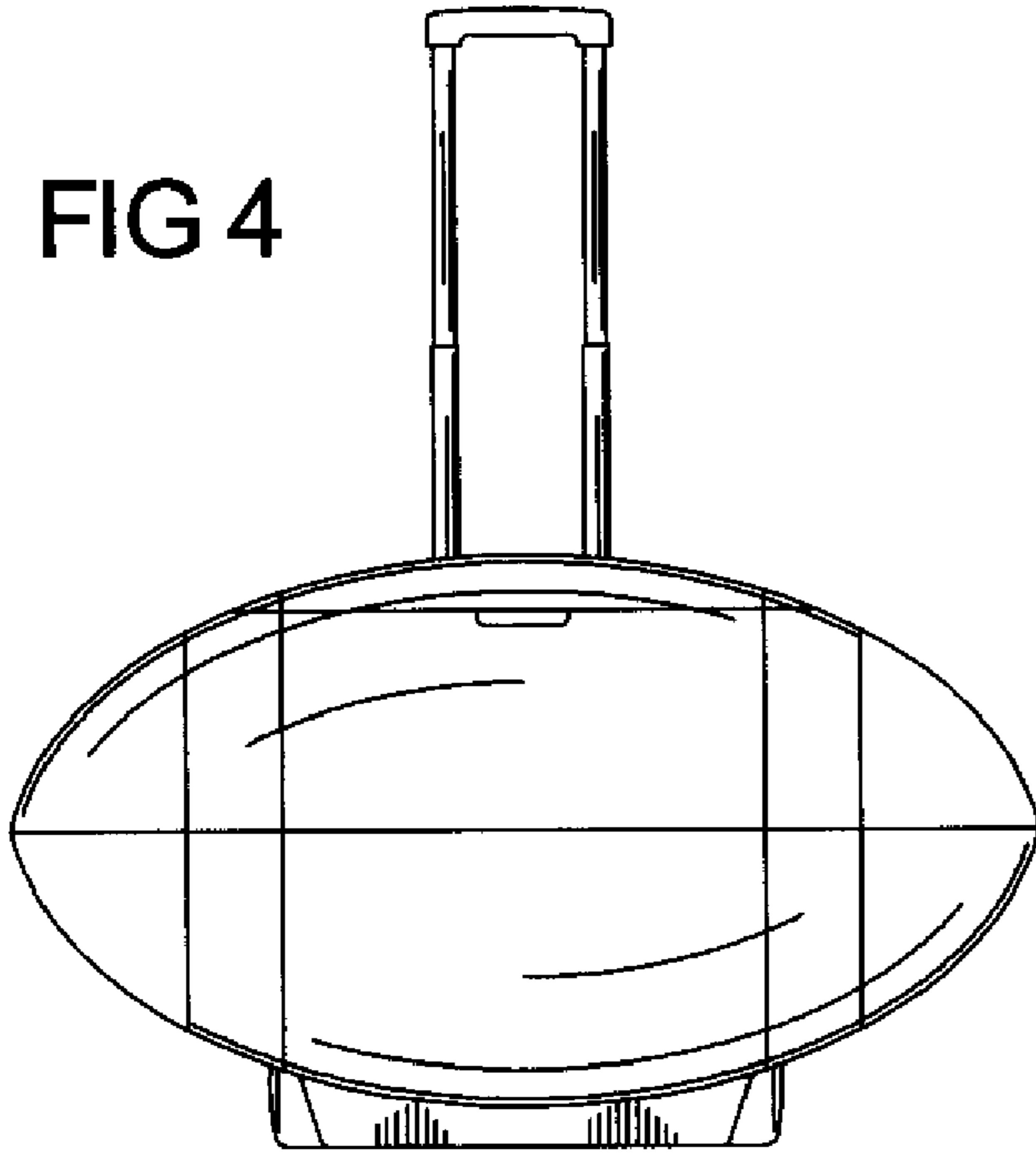


FIG 5

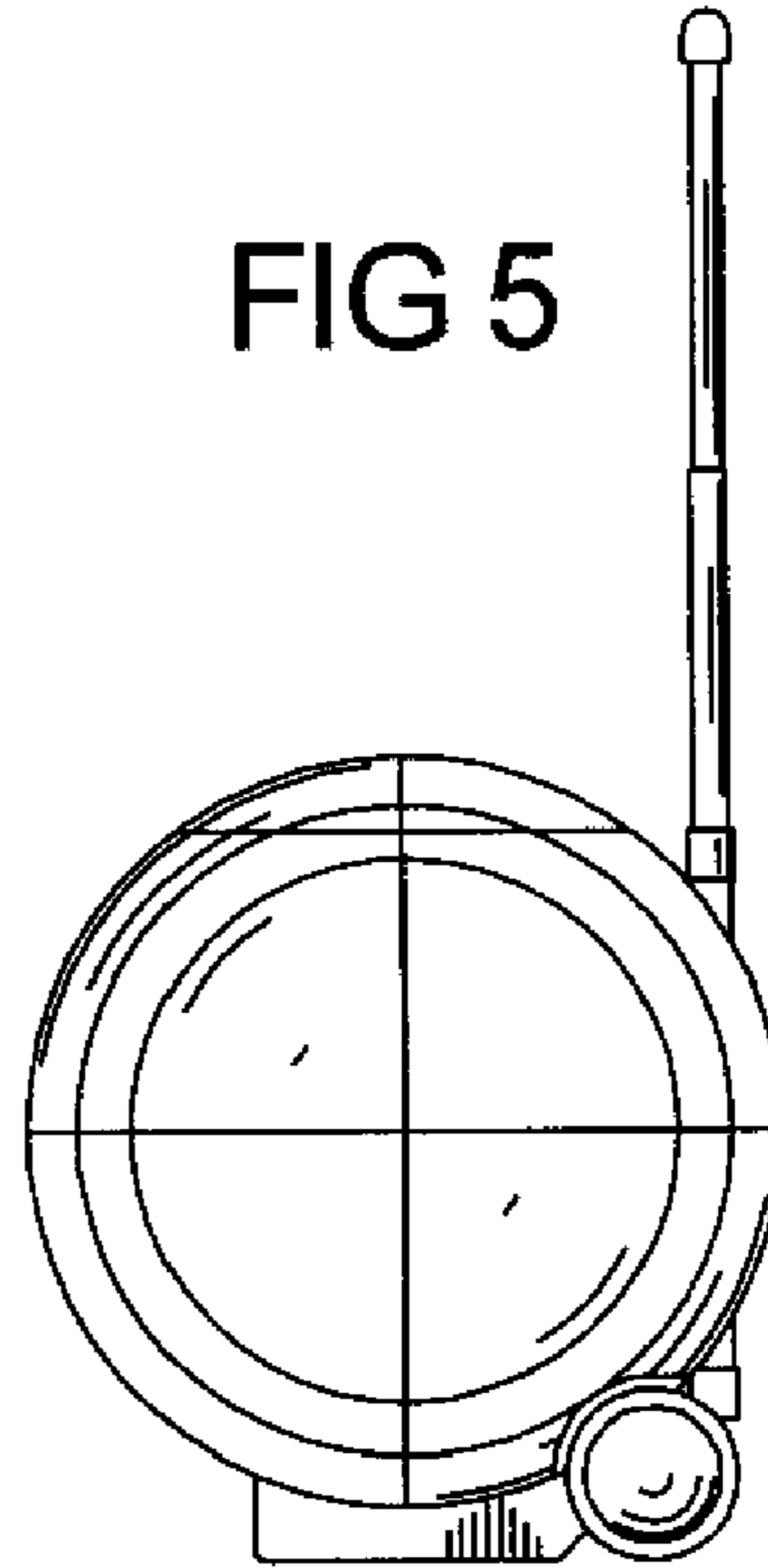


FIG 6

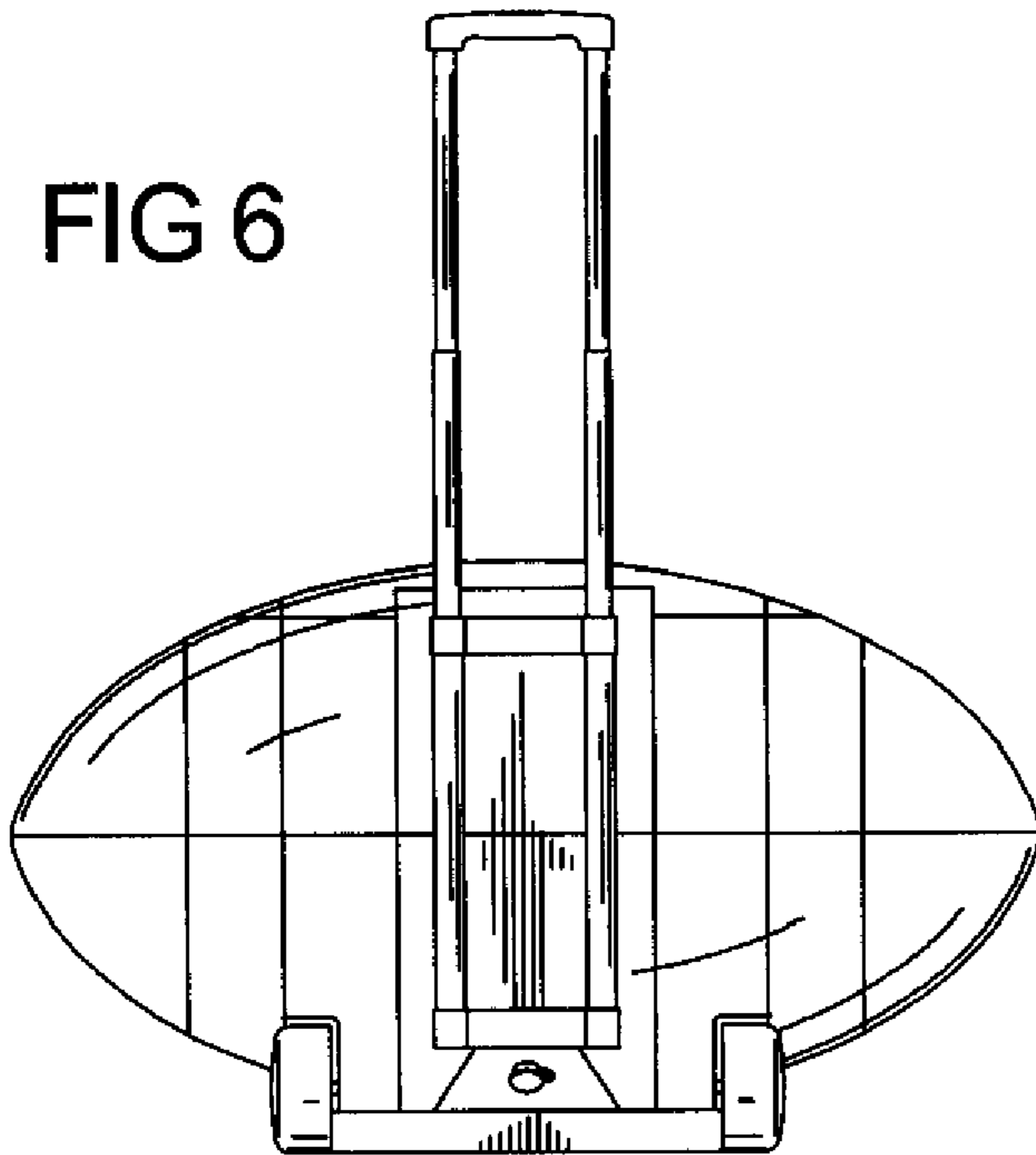


FIG 7

