



US00D613126S

(12) **United States Design Patent**
Warner

(10) **Patent No.:** **US D613,126 S**
(45) **Date of Patent:** **** Apr. 6, 2010**

(54) **MIXING BOWL HAVING A HANDLE IN THE BOTTOM**

(76) Inventor: **Angie Warner**, 708 N. Front,
Monticello, IL (US) 61856

(**) Term: **14 Years**

(21) Appl. No.: **29/314,308**

(22) Filed: **Mar. 20, 2009**

(51) **LOC (9) Cl.** **07-01**

(52) **U.S. Cl.** **D7/587; D7/584**

(58) **Field of Classification Search** D7/300,
D7/300.1, 312, 316, 318, 354, 356, 360, 376,
D7/380, 392.1, 394, 396.2, 396.6, 397, 500,
D7/501, 503, 505, 507, 523, 532, 535, 538,
D7/540-555, 557, 558, 560-562, 565, 566,
D7/570-571, 584-588, 601-602, 611, 624.1,
D7/629-630, 642, 669, 682-383, 686, 688,
D7/701; D6/339, 406.1-406.6, 419, 429,
D6/430; D9/340, 414-418, 420, 422-426,
D9/428-433, 456-457, 499, 500, 502, 655-657,
D9/702-703, 737, 749, 755, 761, 769, 772,
D9/901, 902; D11/152, 154, 155, 156; D12/133,
D12/416, 419, 426.1; D14/157, 447, 457;
D19/35; D24/132, 216, 220, 221, 224, 227;
D26/121; D30/123, 129-130; 220/23.83,
220/212, 506, 555, 560, 561, 574-575, 577,
220/657; 206/561, 565; 425/459, 623; 426/106,
426/119, 120, 127

See application file for complete search history.

(56) **References Cited**

U.S. PATENT DOCUMENTS

D107,585 S * 12/1937 Titze D7/542

D186,038 S * 9/1959 Stageberg D7/586
D209,306 S * 11/1967 Schilling D7/523
D209,311 S * 11/1967 Schilling D7/523
3,730,385 A * 5/1973 Rost 206/520
D272,213 S * 1/1984 Daenen D7/523
4,446,652 A * 5/1984 Anderson 47/79
D394,189 S * 5/1998 Reynaert et al. D7/584
D447,006 S * 8/2001 Thun D7/542
D452,635 S * 1/2002 Kortleven et al. D7/538
D536,277 S * 2/2007 Cabeza D11/152
D537,300 S * 2/2007 Kim D7/629
2006/0261065 A1 * 11/2006 Claypool et al. 220/212

FOREIGN PATENT DOCUMENTS

GB 3000448 * 2/2002

* cited by examiner

Primary Examiner—Jeffrey D Asch
Assistant Examiner—Bridget L Eland
(74) *Attorney, Agent, or Firm*—Ruth Eure

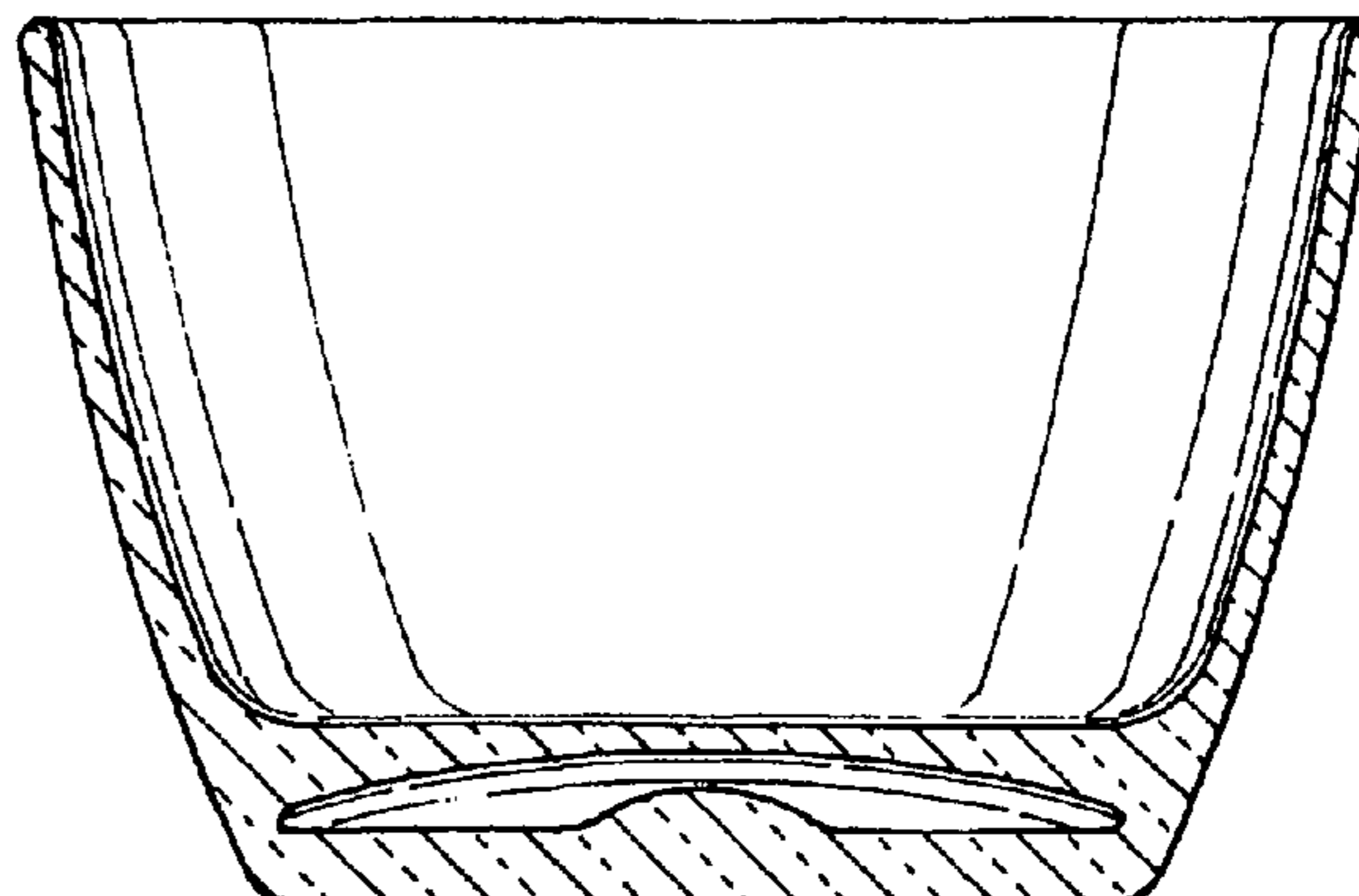
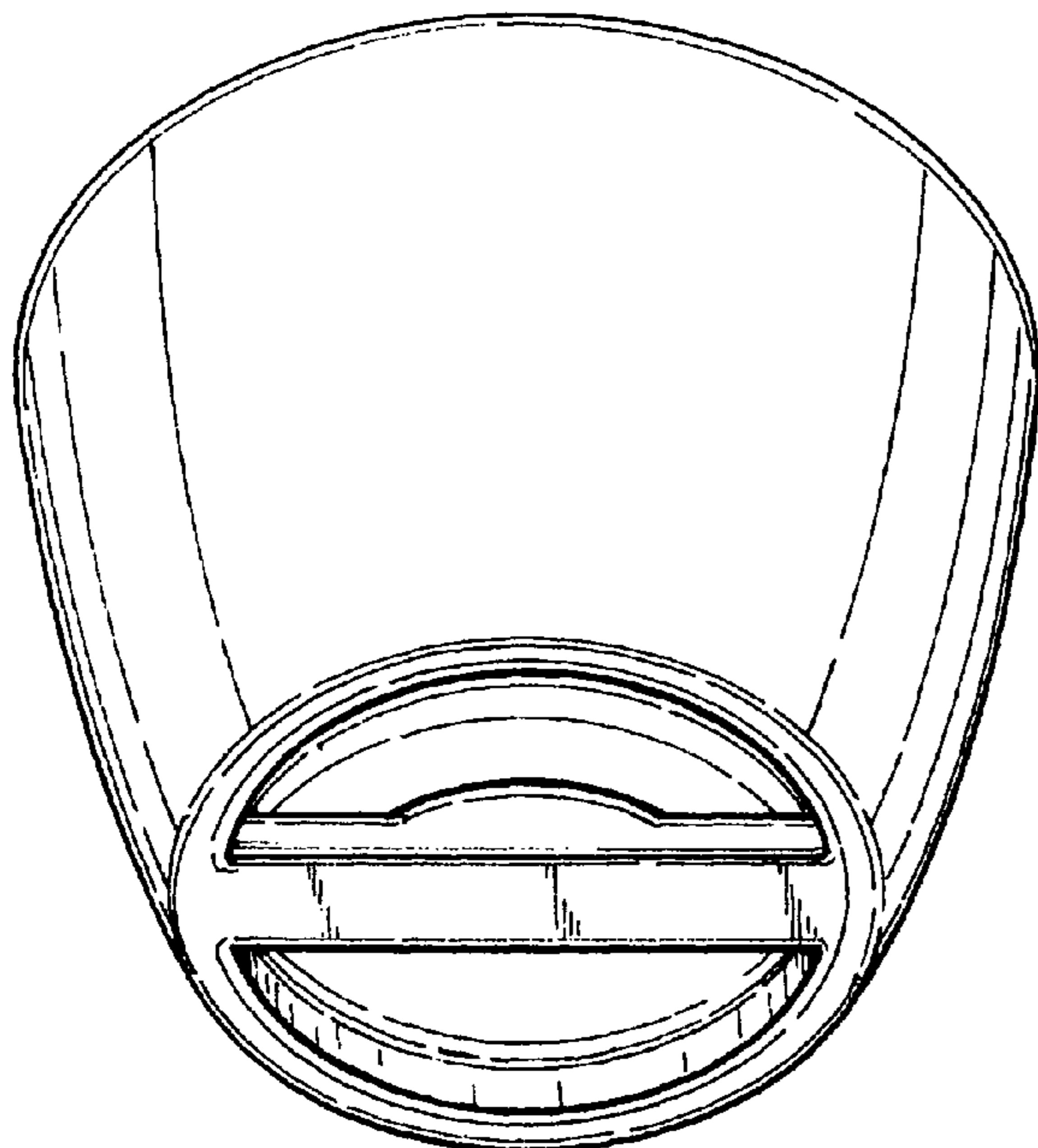
(57) **CLAIM**

The ornamental design for a mixing bowl having a handle in the bottom, as shown and described.

DESCRIPTION

FIG. 1 is a top view showing a mixing bowl having a handle in the bottom.
FIG. 2 is a bottom side view thereof;
FIG. 3 is a top perspective view thereof;
FIG. 4 is a bottom perspective view thereof;
FIG. 5 is a side view thereof;
FIG. 6 is a front or back side view thereof; and,
FIG. 7 is a cross-sectional side view thereof.

1 Claim, 3 Drawing Sheets



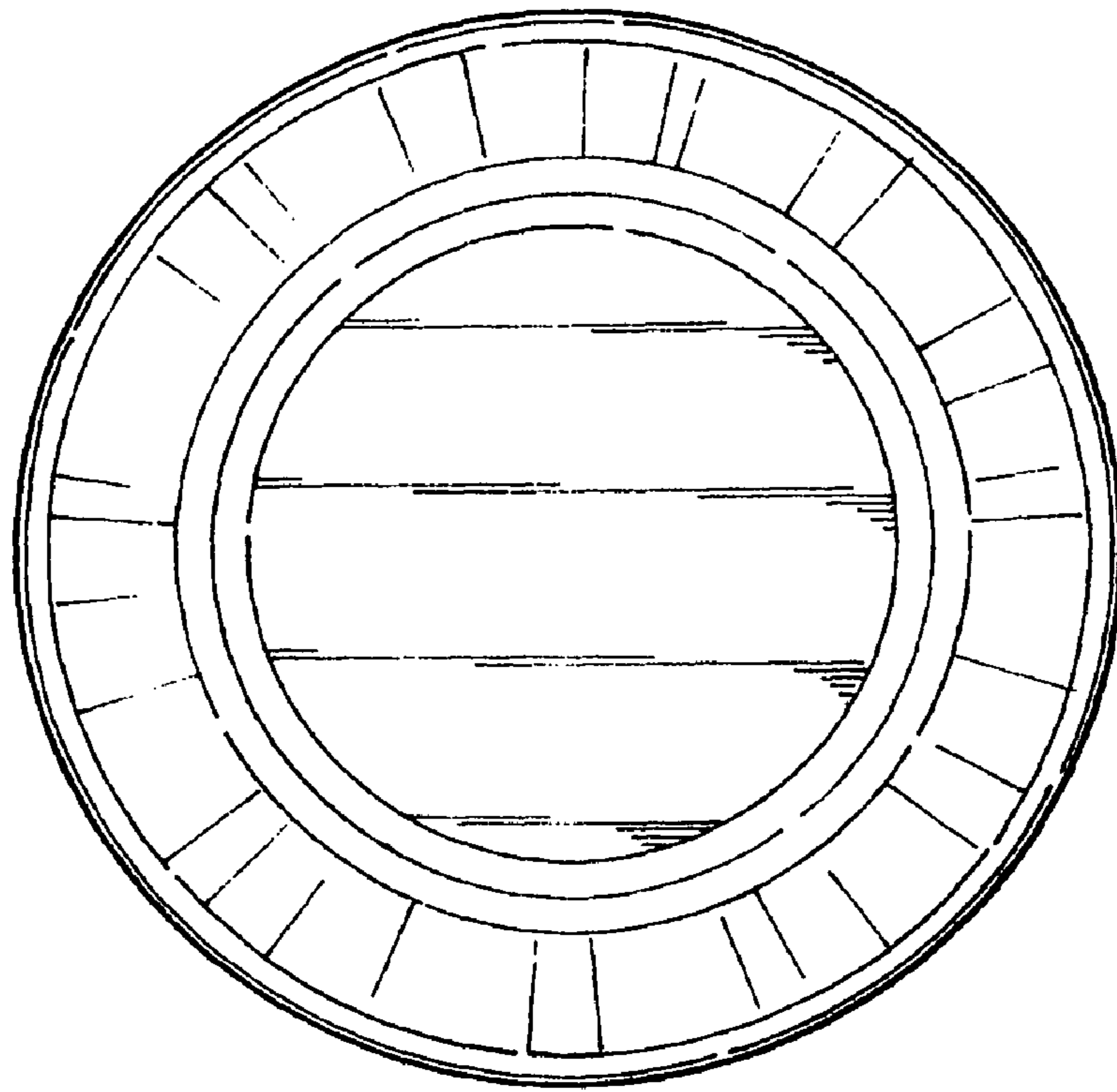


FIG. 1

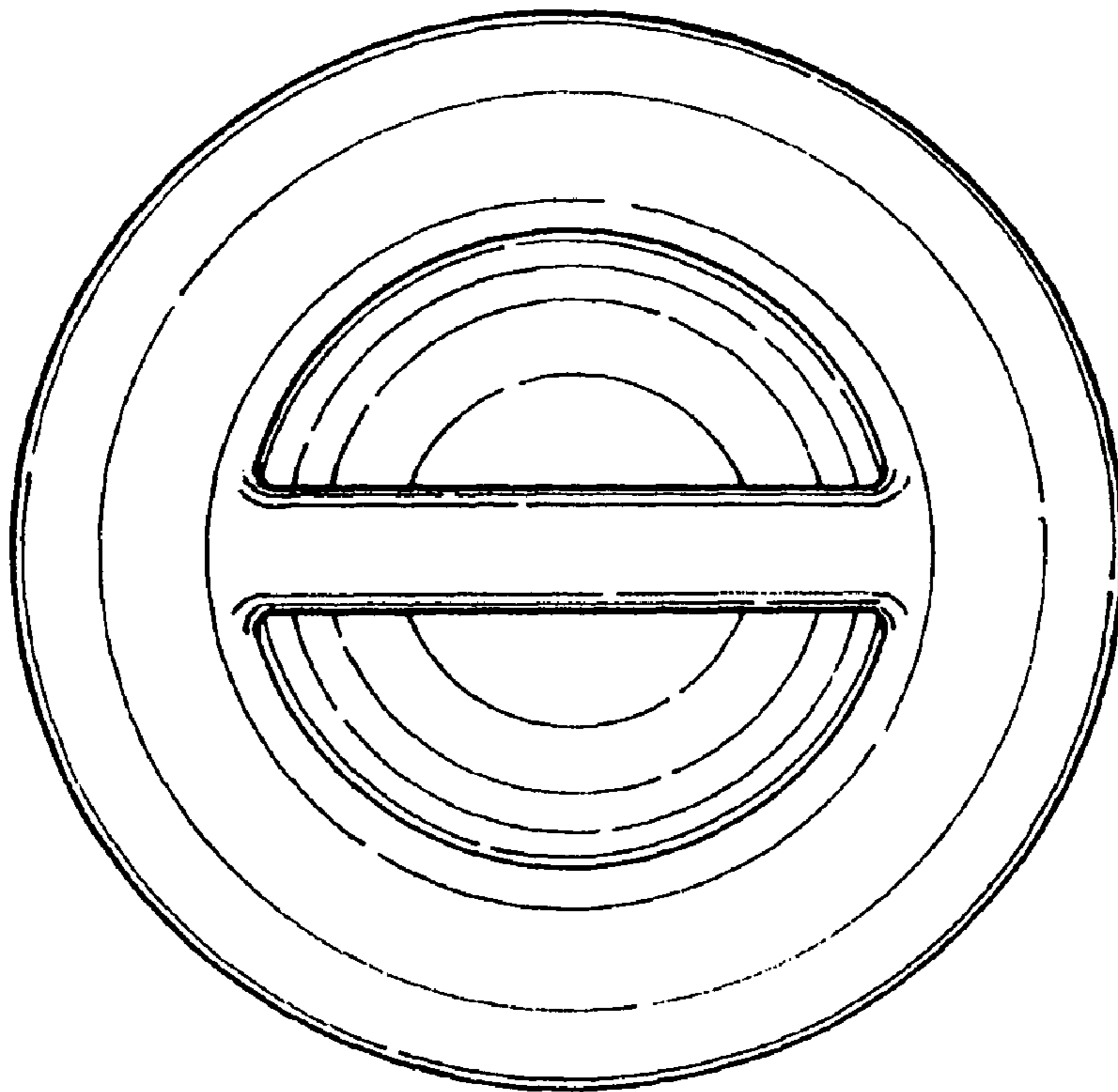


FIG. 2

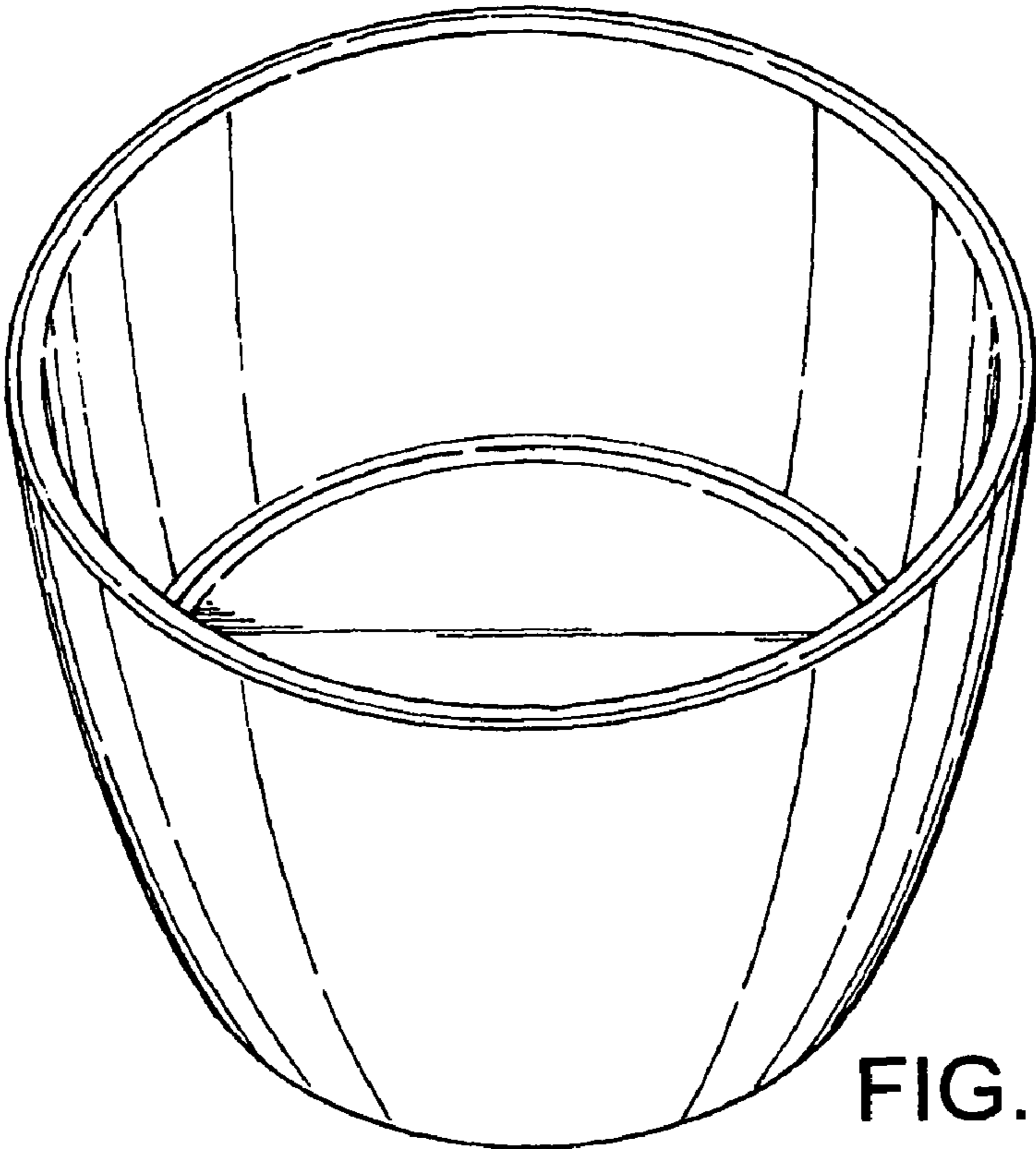


FIG. 3

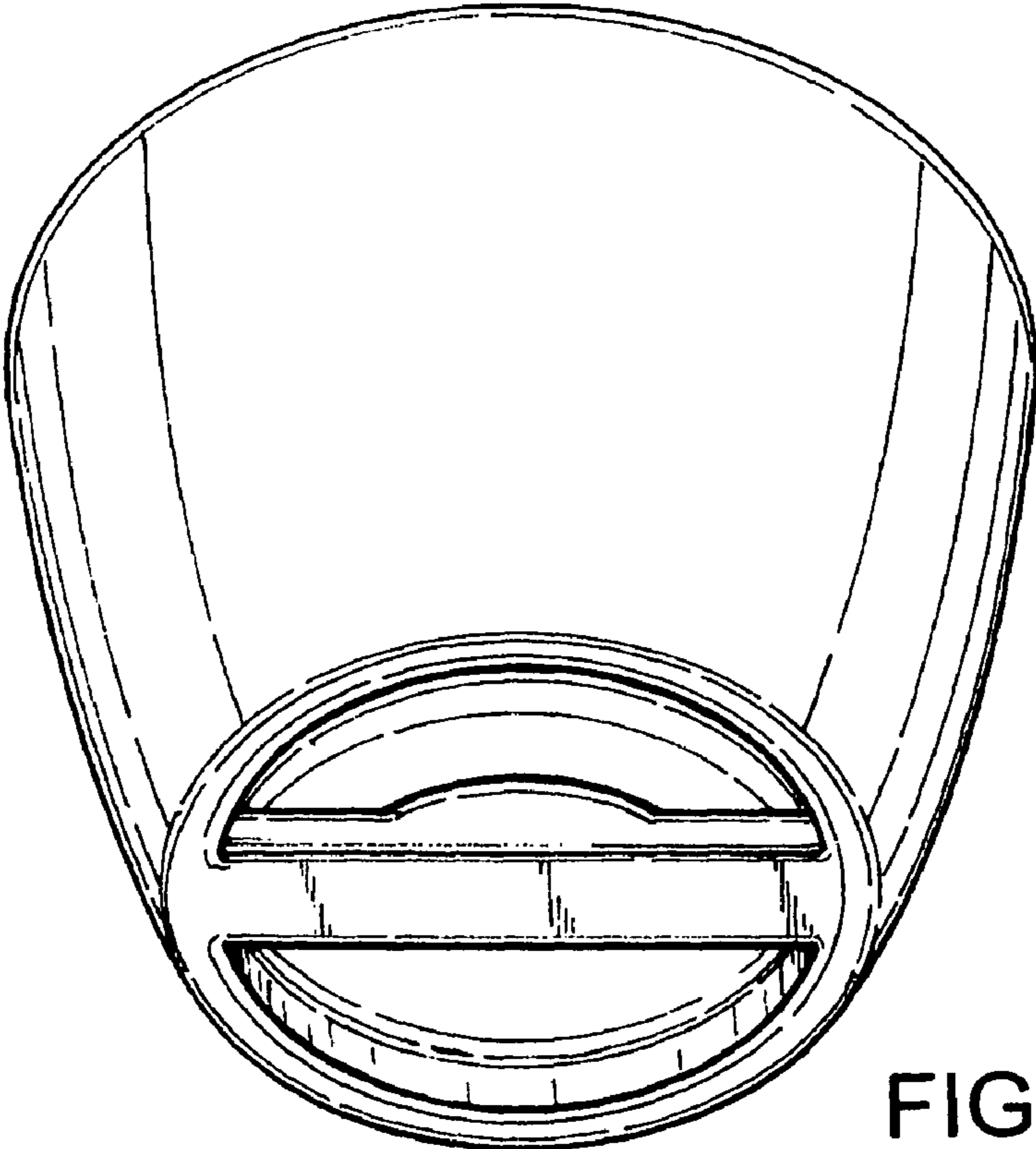


FIG. 4

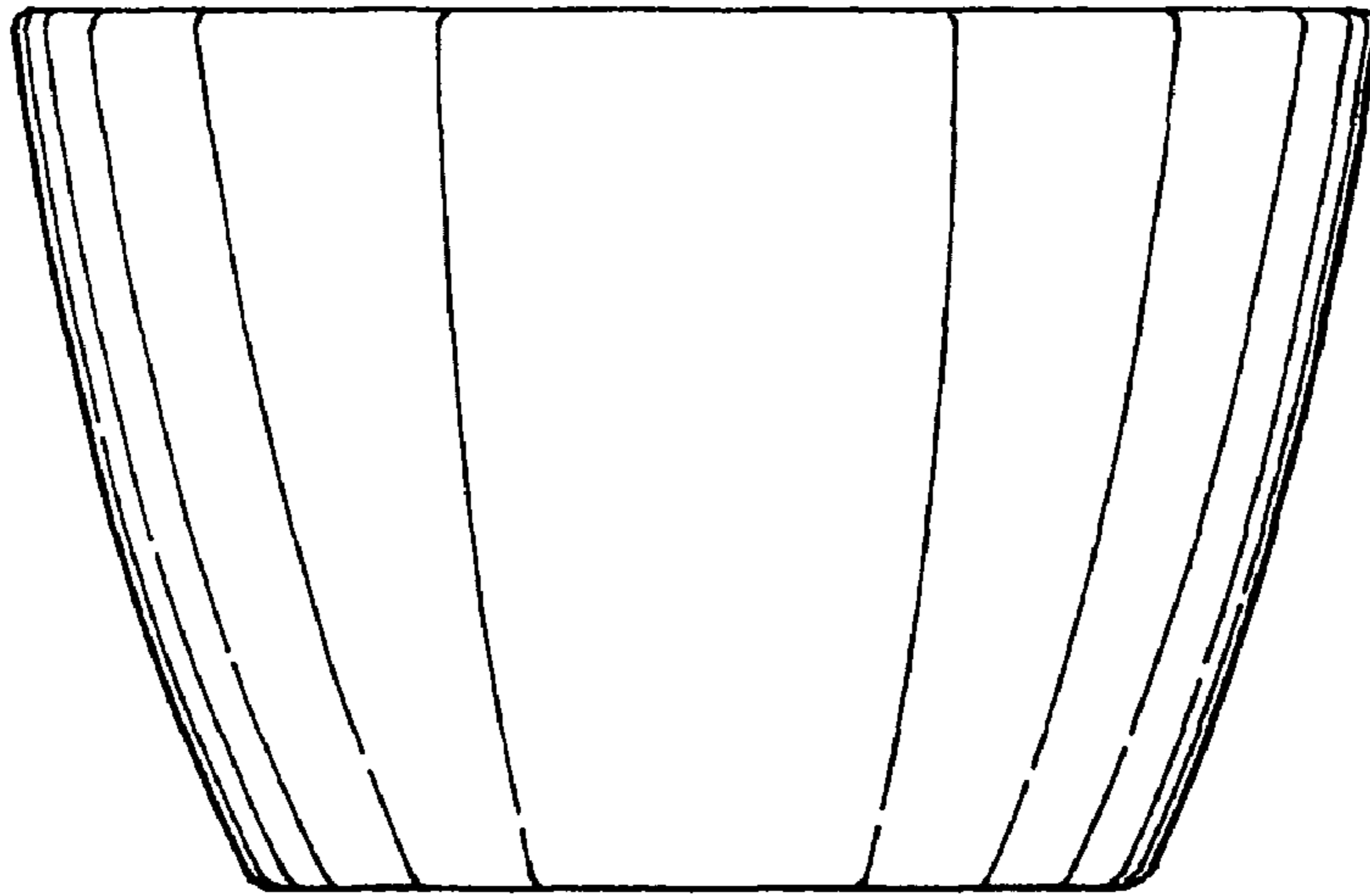


FIG. 5

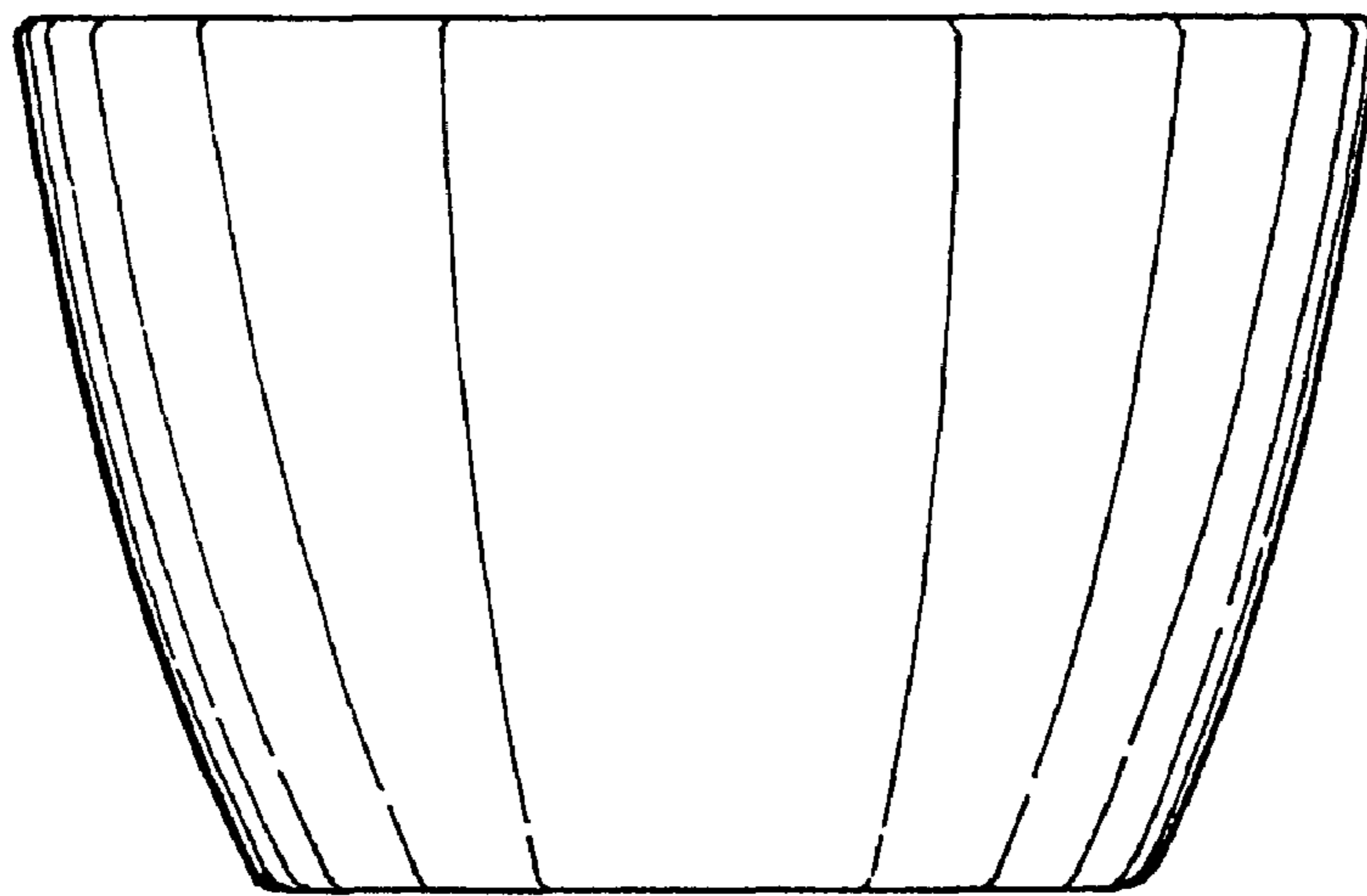


FIG. 6

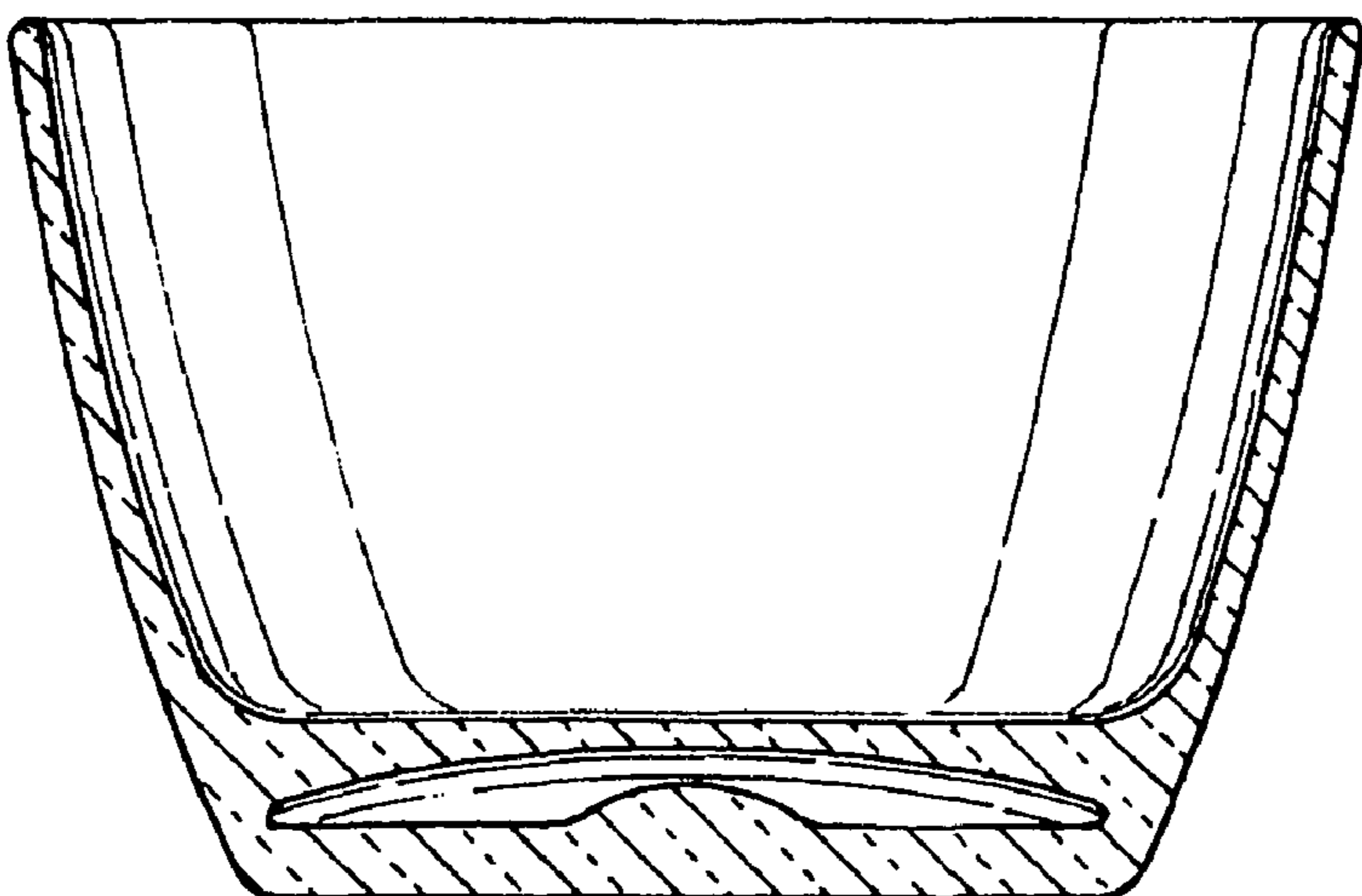


FIG. 7