



US00D613123S

(12) **United States Design Patent**  
**Hilger**

(10) **Patent No.:** **US D613,123 S**

(45) **Date of Patent:** **\*\* Apr. 6, 2010**

(54) **PLATE**

(75) Inventor: **Fred Hilger**, Müllendorf (LU)

(73) Assignee: **Villeroy & Boch S.a.r.l.**, Luxembourg (LU)

(\*\*) Term: **14 Years**

(21) Appl. No.: **29/321,937**

(22) Filed: **Jul. 25, 2008**

(30) **Foreign Application Priority Data**

Jan. 25, 2008 (EM) ..... 000864871-001  
Jan. 25, 2008 (EM) ..... 000864871-002  
Jan. 25, 2008 (EM) ..... 000864871-003

(51) **LOC (9) Cl.** ..... **07-01**

(52) **U.S. Cl.** ..... **D7/553.3**

(58) **Field of Classification Search** ..... D7/300,  
D7/300.1, 312, 316, 318, 354, 356, 360, 376,  
D7/380, 392.1, 394, 396.2, 396.6, 397, 500,  
D7/501, 503, 505, 507, 523, 532, 535, 538,  
D7/540-555, 557, 558, 560-562, 565, 566,  
D7/570-571, 584-588, 601-602, 611, 624.1,  
D7/629-630, 642, 669, 682-383, 686, 688,  
D7/701; D6/339, 406.1-406.6, 419, 429,  
D6/430; D9/340, 414-418, 420, 422-426,  
D9/428-433, 456-457, 499, 500, 502, 655-657,  
D9/702-703, 737, 749, 755, 761, 769, 772,  
D9/901, 902; D11/152, 154, 155, 156; D12/133,  
D12/416, 419, 426.1; D14/157, 447, 457;  
D19/35; D24/132, 216, 220, 221, 224, 227;  
D26/121; D30/123, 129-130; 220/23.83,  
220/212, 506, 555, 560, 561, 574-575, 577,  
220/657; 206/561, 565; 425/459, 623; 426/106,  
426/119, 120, 127

See application file for complete search history.

(56) **References Cited**

**U.S. PATENT DOCUMENTS**

D34,920 S \* 8/1901 Beisel ..... D7/548  
D122,774 S \* 10/1940 Frederick ..... D7/553.4  
D161,752 S \* 1/1951 Hart ..... D7/554.3

D255,310 S \* 6/1980 Spencer ..... D7/553.5  
D270,225 S \* 8/1983 Chiulli ..... D7/357  
5,921,423 A \* 7/1999 Howell et al. .... 220/23.86  
D419,062 S \* 1/2000 Feldmeier et al. .... D9/759  
D420,452 S \* 2/2000 Cardy ..... D24/225  
D488,352 S \* 4/2004 Tisdale et al. .... D7/586  
D488,965 S \* 4/2004 Schuler ..... D7/706  
D511,593 S \* 11/2005 Ebesu ..... D30/130  
2001/0035418 A1 \* 11/2001 Tosdale et al. .... 220/657  
2002/0148831 A1 \* 10/2002 Dicello et al. .... 220/23.2

\* cited by examiner

*Primary Examiner*—Jeffrey D Asch

*Assistant Examiner*—Bridget L Eland

(74) *Attorney, Agent, or Firm*—Cantor Colburn LLP

(57) **CLAIM**

I claim, the ornamental design for a plate, as shown and described.

**DESCRIPTION**

FIG. 1 is a front perspective view of a plate showing my new design;

FIG. 2 is a first side elevation view thereof;

FIG. 3 is a second side elevation view thereof;

FIG. 4 is a top plan view thereof;

FIG. 5 is a bottom plan view thereof;

FIG. 6 is a front elevation view thereof;

FIG. 7 is a rear elevation view thereof;

FIG. 8 is a front perspective view of another embodiment of the plate;

FIG. 9 is a first side elevation view thereof;

FIG. 10 is a second side elevation view thereof;

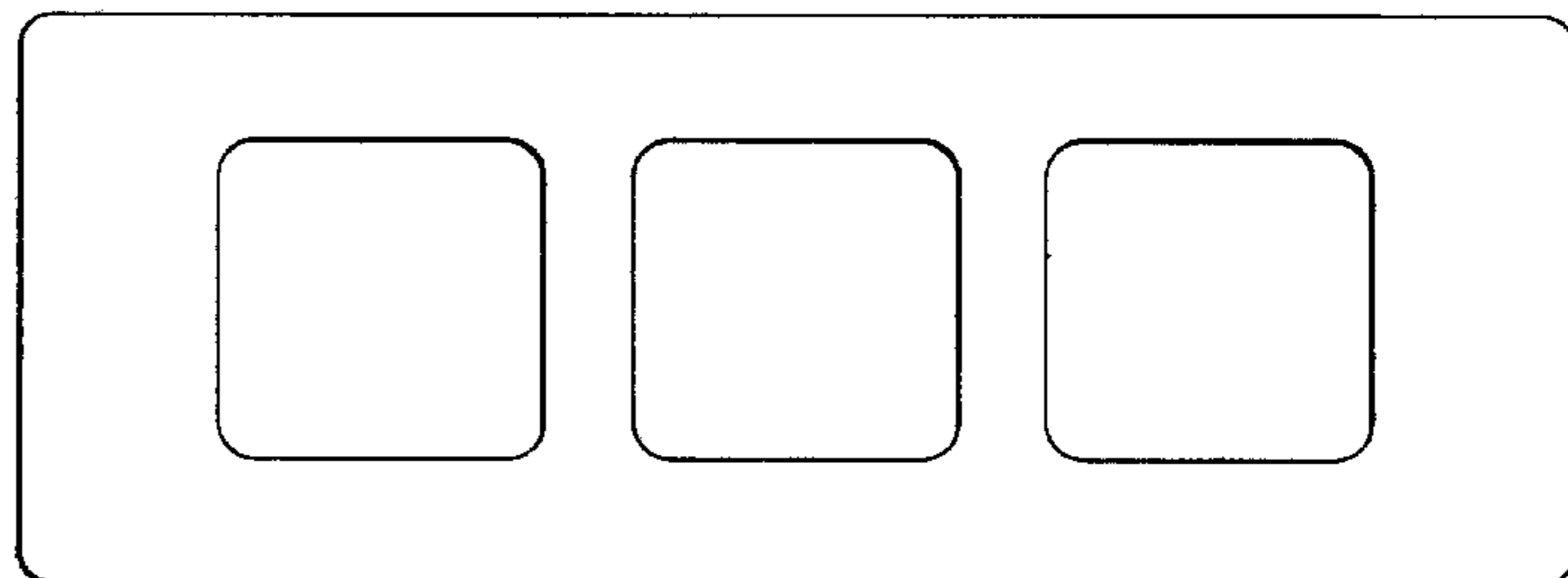
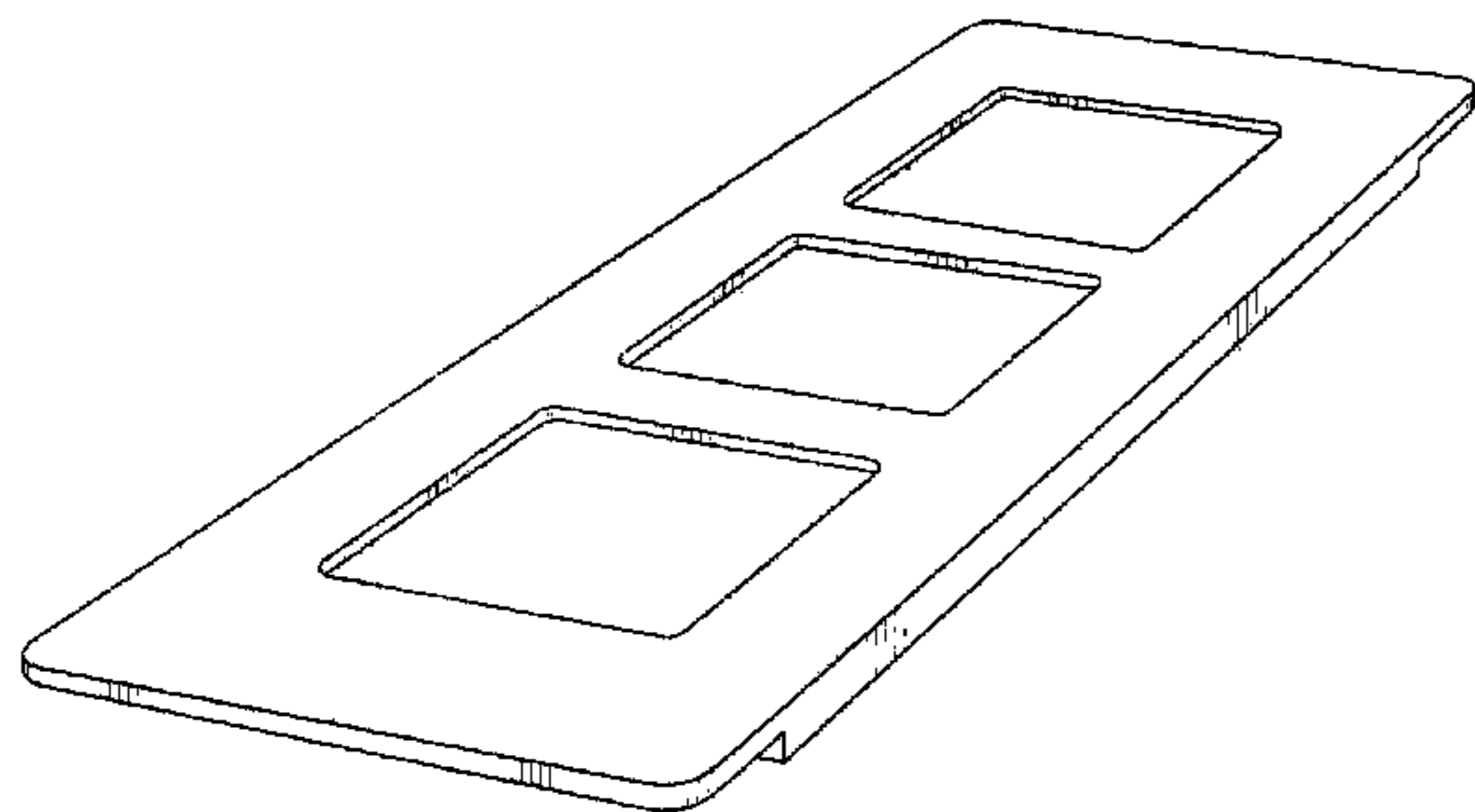
FIG. 11 is a top plan view thereof;

FIG. 12 is a bottom plan view thereof;

FIG. 13 is a front elevation view thereof; and,

FIG. 14 is a rear elevation view thereof.

**1 Claim, 14 Drawing Sheets**



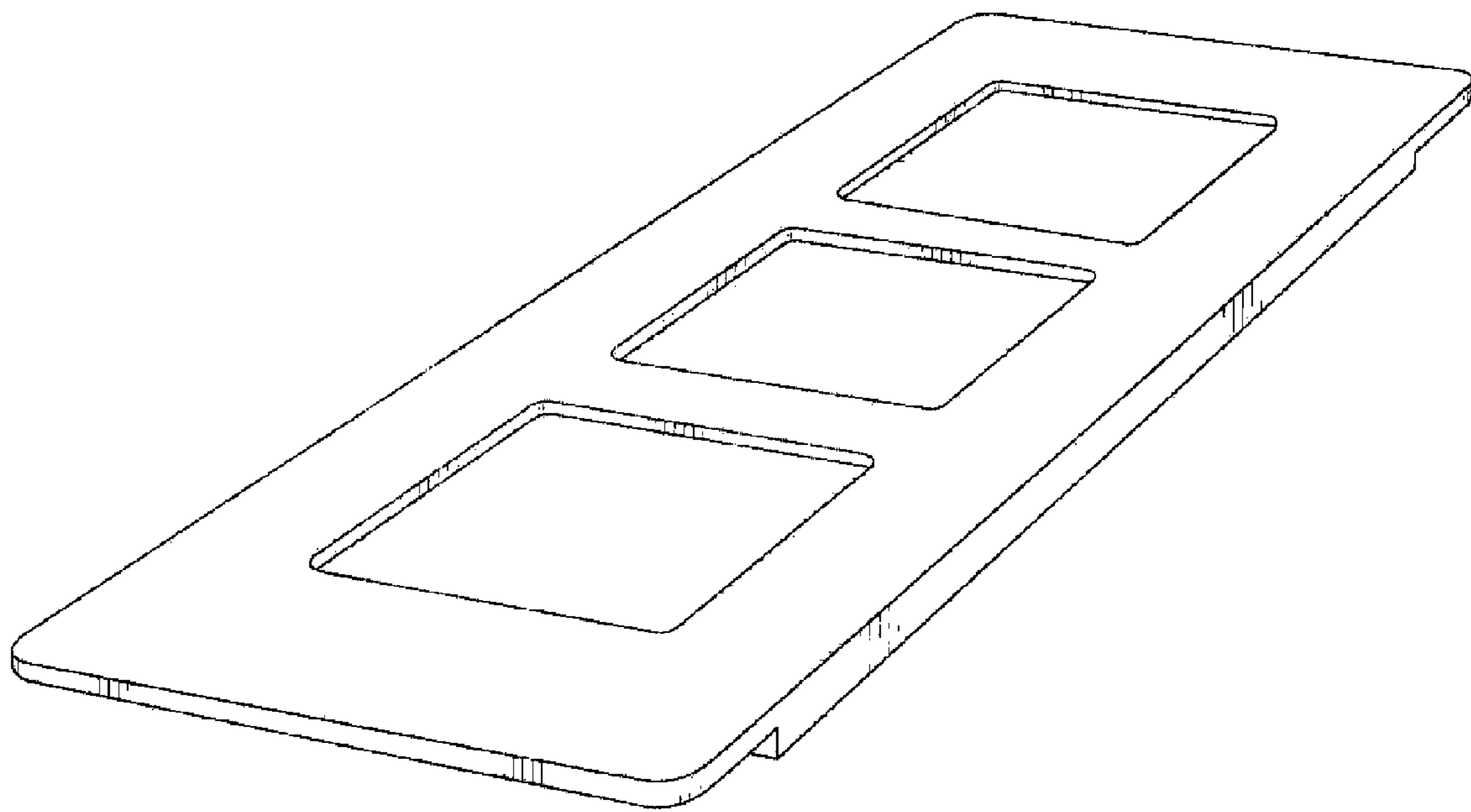


FIG. 1



FIG. 2



FIG. 3

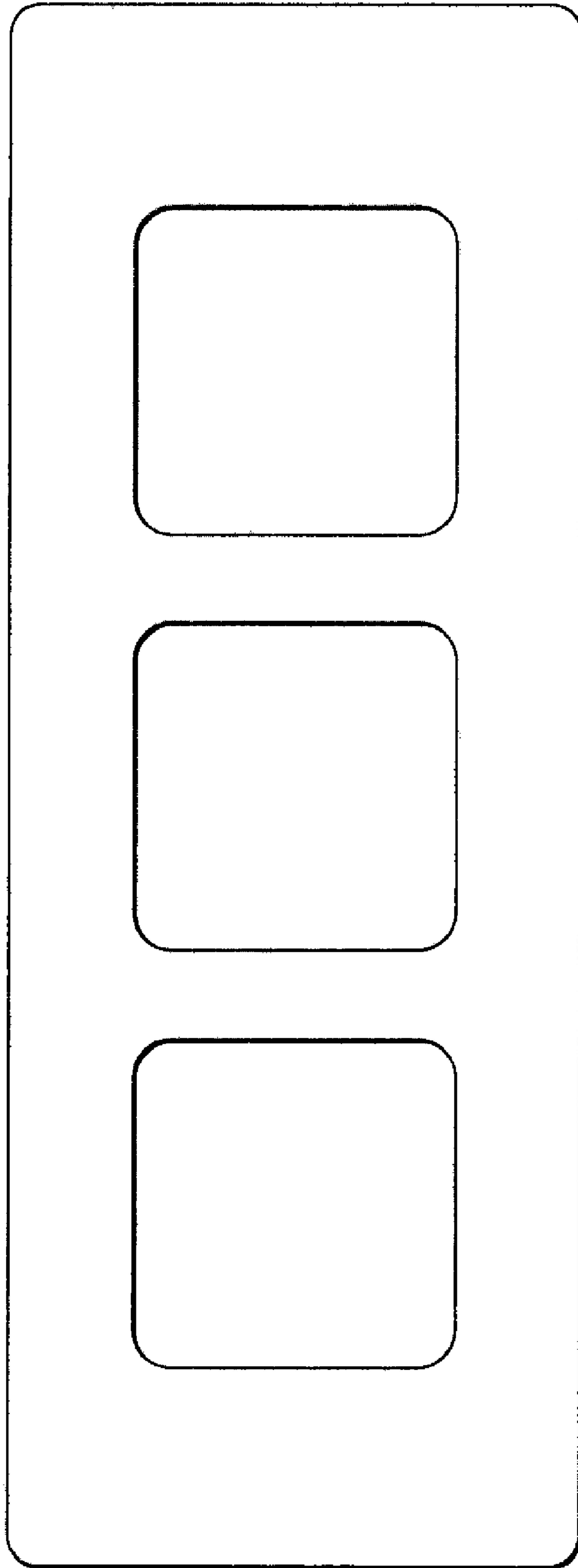


FIG. 4

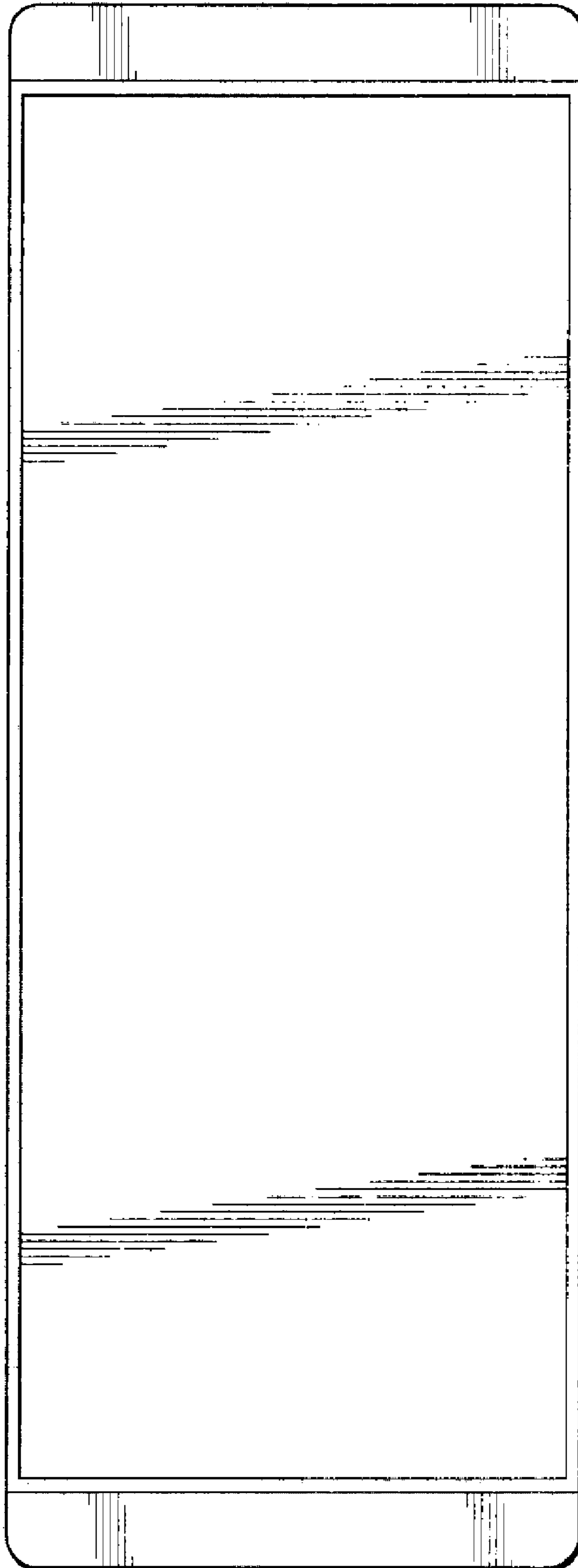
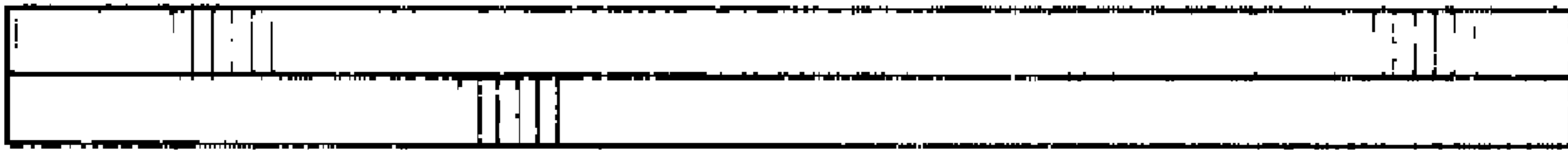
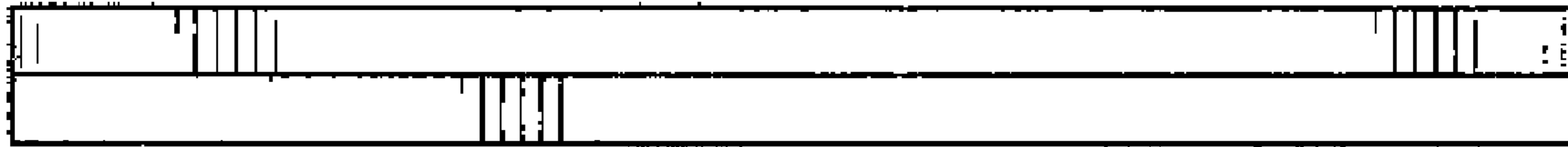


FIG. 5



**FIG. 6**



**FIG. 7**



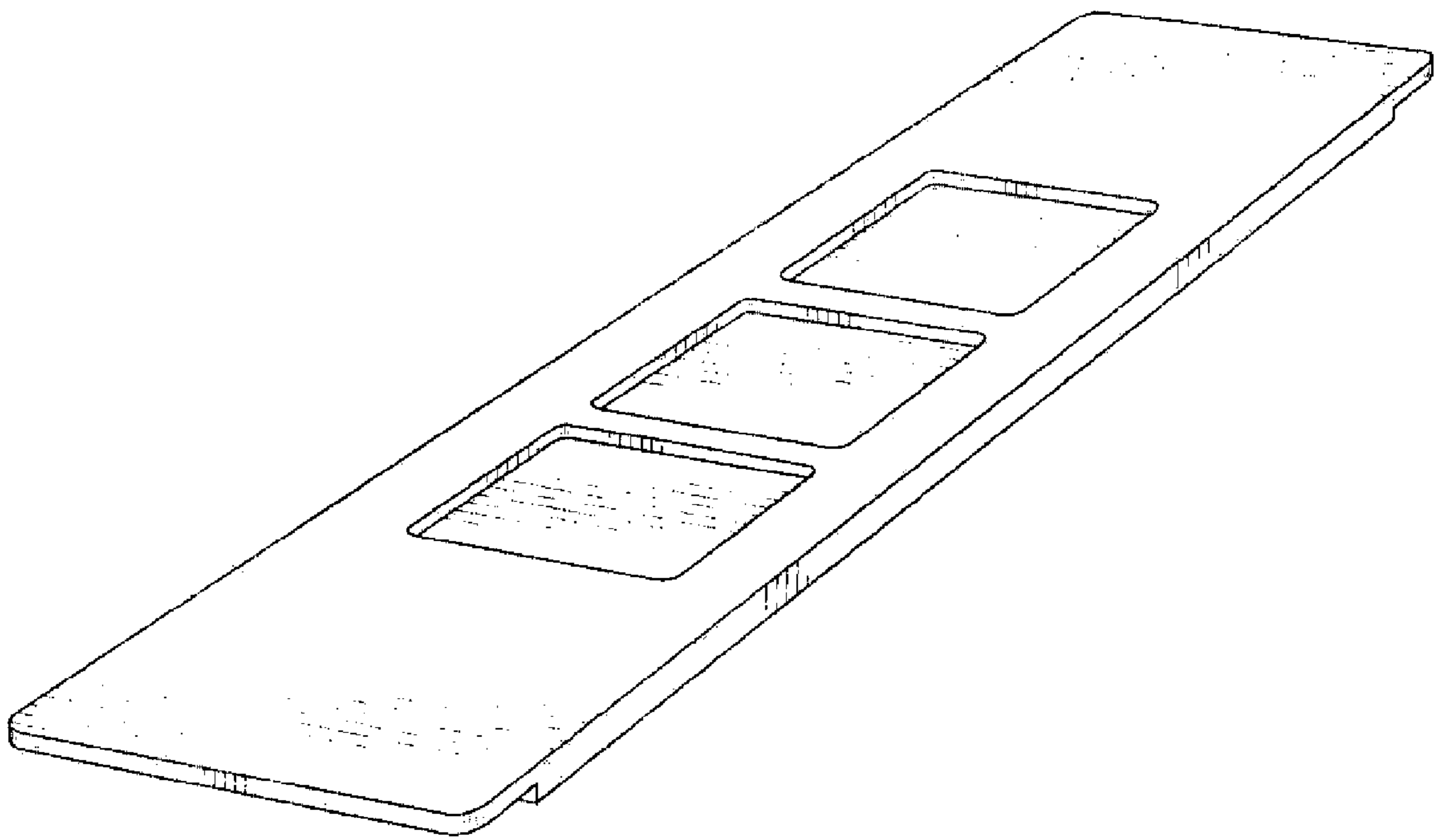


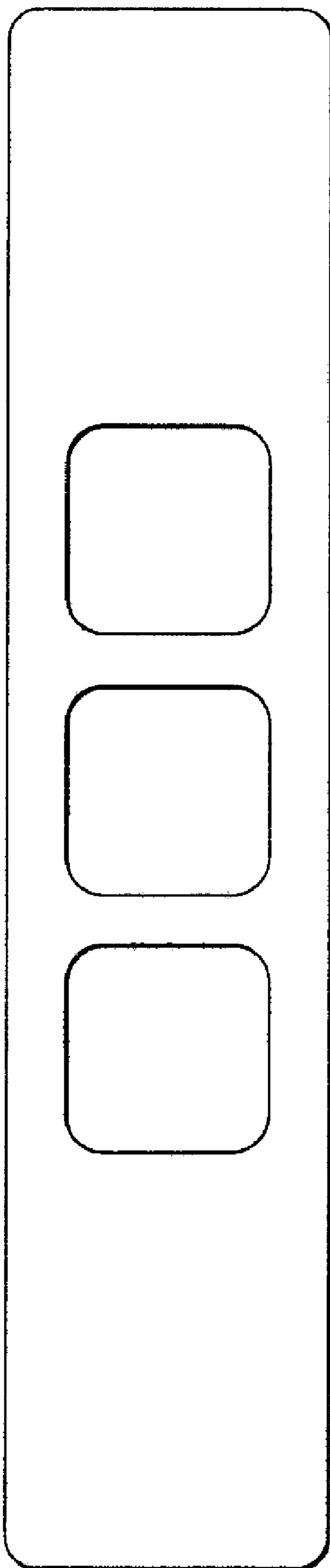
FIG. 8



FIG. 9



**FIG. 10**



*FIG. 11*

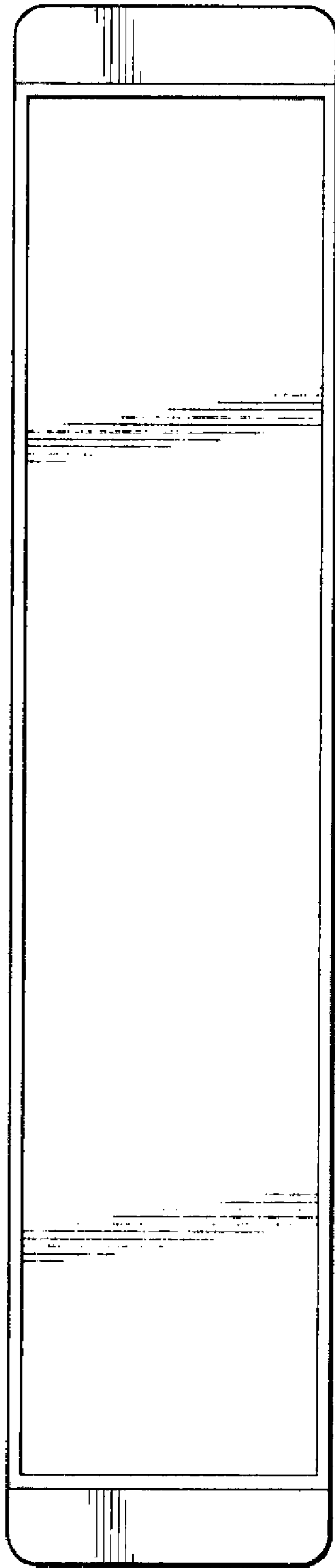


FIG. 12



**FIG. 13**



**FIG. 14**