



US00D613117S

(12) **United States Design Patent**  
**Richburg**

(10) **Patent No.:** **US D613,117 S**

(45) **Date of Patent:** **\*\* Apr. 6, 2010**

(54) **REMOVABLE STOVE TOP GRIDDLE**

(76) **Inventor:** **Henry Alan Richburg**, 76 Hickory Nut  
Hollow, Box Springs, GA (US) 31801

(\*\*) **Term:** **14 Years**

(21) **Appl. No.:** **29/345,700**

(22) **Filed:** **Oct. 21, 2009**

(51) **LOC (9) Cl.** ..... **07-02**

(52) **U.S. Cl.** ..... **D7/409**

(58) **Field of Classification Search** ..... D7/323,  
D7/354-363, 388, 390, 402, 404, 407, 409,  
D7/554.3, 698; 99/324, 331, 339-340, 402,  
99/421 A, 421 H, 421 HH, 421 R, 422-427,  
99/449-450; 126/9 R, 25 R, 39 R, 41 R;  
219/448.17, 730, 759, 1; 220/485, 491-494,  
220/500, 507, 573.1, 752, 759, 769, 912  
See application file for complete search history.

(56) **References Cited**

**U.S. PATENT DOCUMENTS**

2,727,505	A *	12/1955	Hood	126/25 R
3,317,709	A *	5/1967	Beasley	219/448.17
3,632,982	A	1/1972	Linger	
D271,557	S	11/1983	Schwarzli	
4,724,823	A *	2/1988	Simpson	126/39 R
4,976,252	A	12/1990	Cianciola	
5,131,320	A	7/1992	Jensen et al.	
5,413,032	A *	5/1995	Bruno et al.	99/331
5,465,652	A	11/1995	Hymes	
D372,636	S *	8/1996	Neff	D7/402
5,619,910	A *	4/1997	Farnsworth et al.	99/422
D380,347	S	7/1997	Norton	

5,740,723	A *	4/1998	Lin	99/422
D420,851	S *	2/2000	Wagner et al.	D7/407
6,073,542	A *	6/2000	Perez	99/340
6,161,534	A *	12/2000	Kronman	126/41 R
6,263,783	B1 *	7/2001	Liu	99/339
D451,334	S *	12/2001	Dillenbeck	D7/354
6,990,893	B2	1/2006	Cheng	

\* cited by examiner

*Primary Examiner*—Caron Veynar

*Assistant Examiner*—Ricky Pham

(74) *Attorney, Agent, or Firm*—Crossley Patent Law; Mark A. Crossley

(57) **CLAIM**

The ornamental design for a removable stove top griddle, as shown and described.

**DESCRIPTION**

FIG. 1 is a top plan view of a removable stove top griddle showing my new design with a tray detached for clarity;

FIG. 2 is a bottom plan view thereof;

FIG. 3 is a right elevation view thereof, the opposite side being a mirror image of the shown;

FIG. 4 is a front elevation view thereof;

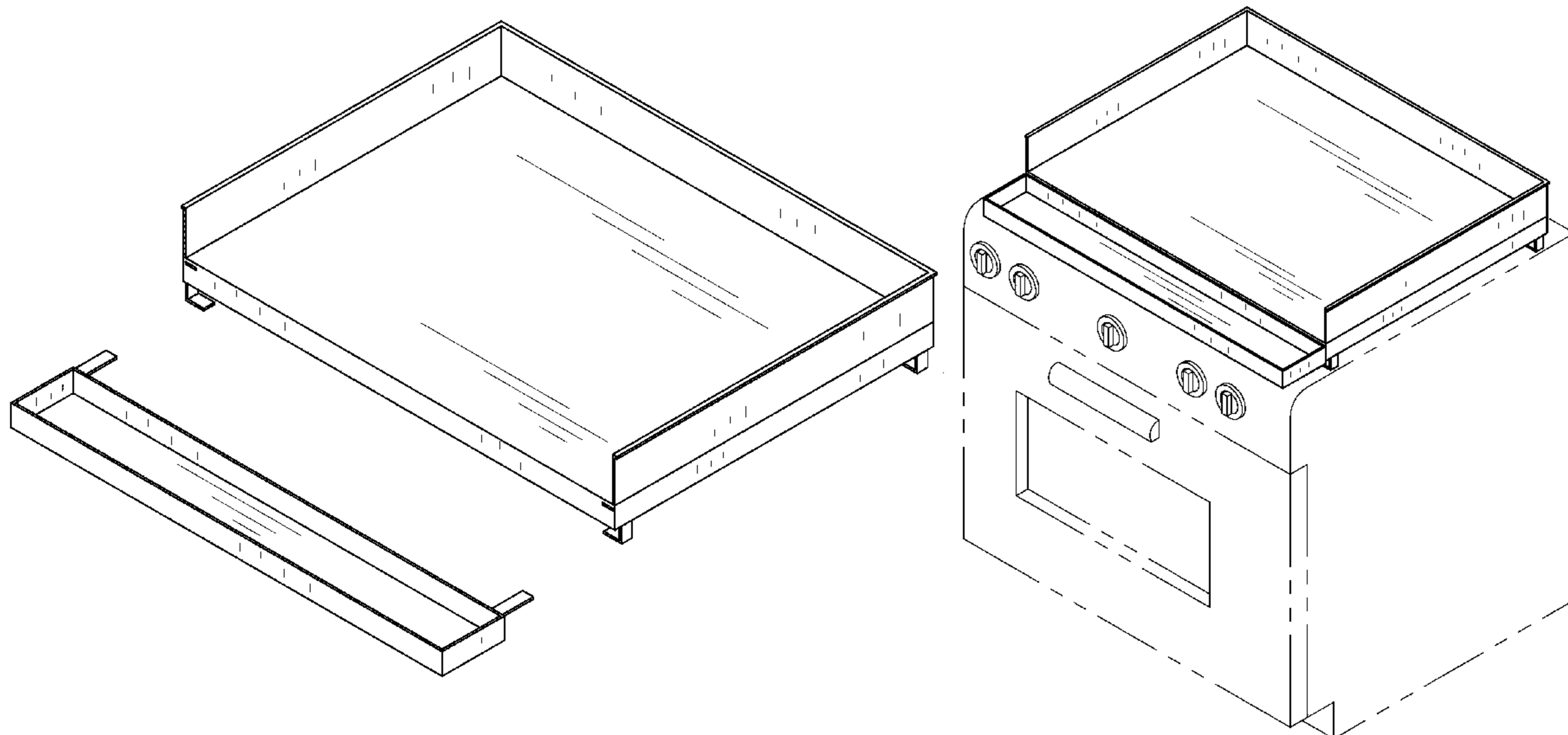
FIG. 5 is a rear elevation view thereof;

FIG. 6 is an isometric view thereof; and,

FIG. 7 is an in-use isometric view thereof.

The broken lines in the drawings depict environmental subject matter only and form no part of the claimed design.

**1 Claim, 6 Drawing Sheets**



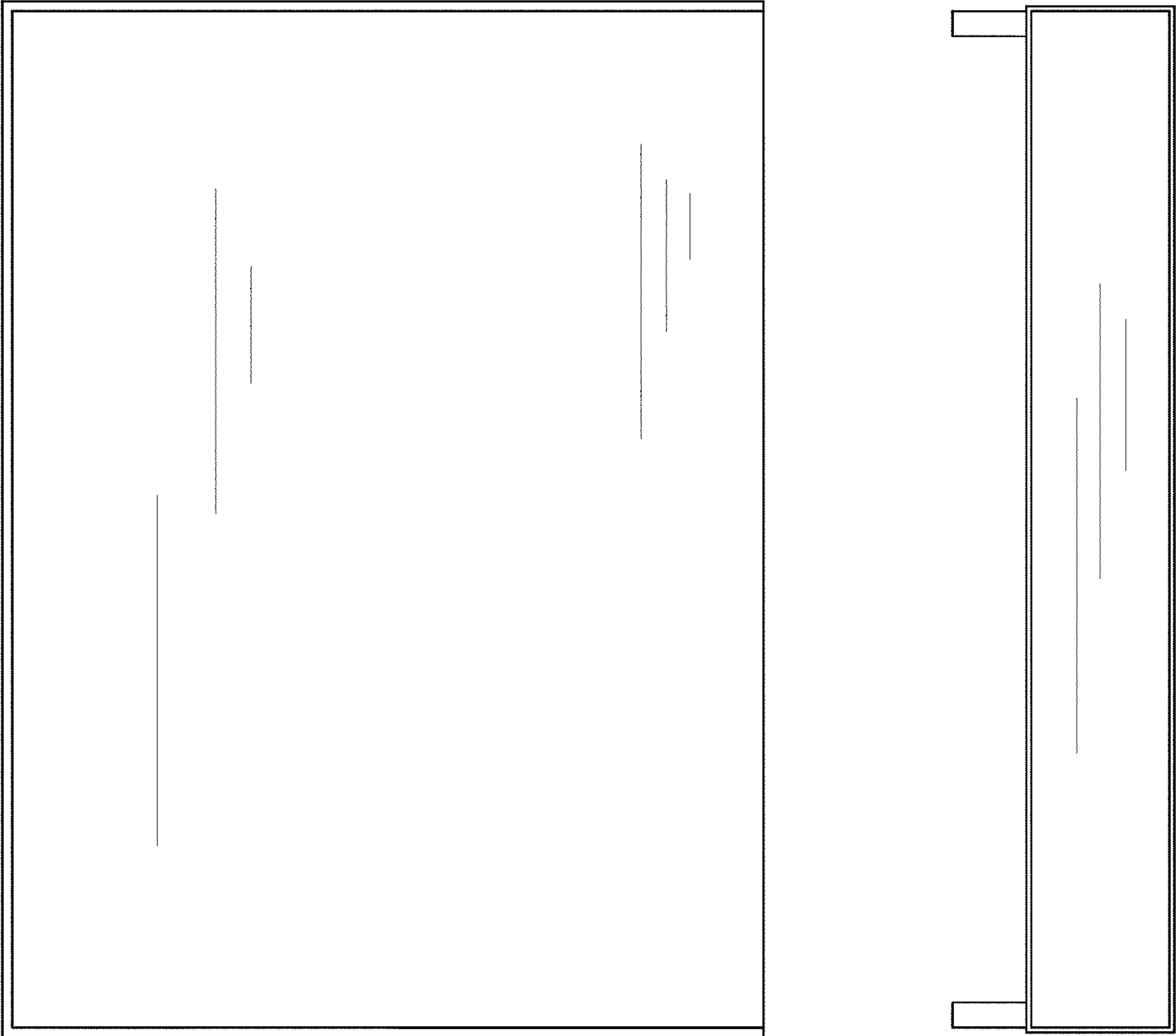


FIG. 1

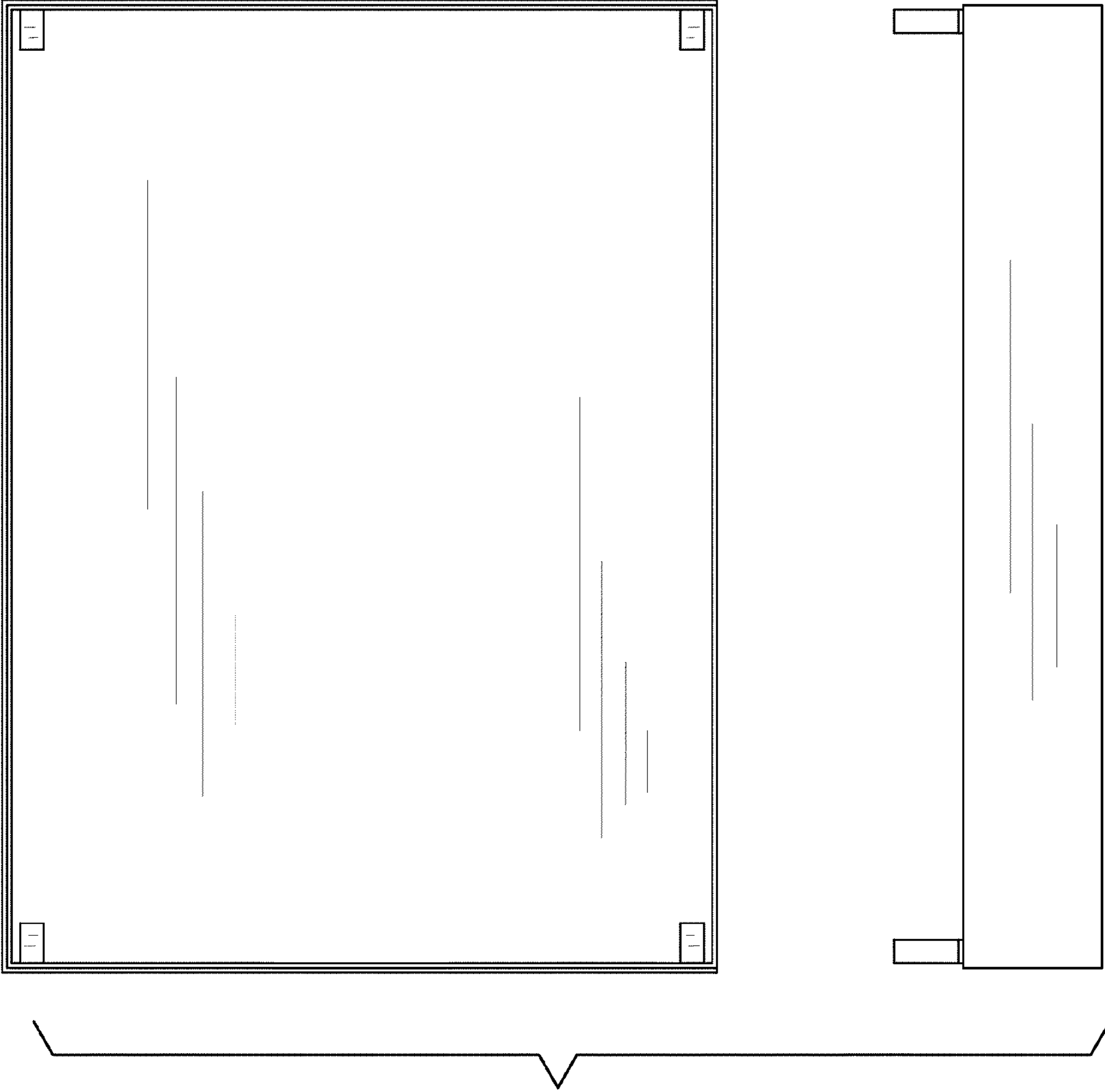


FIG. 2

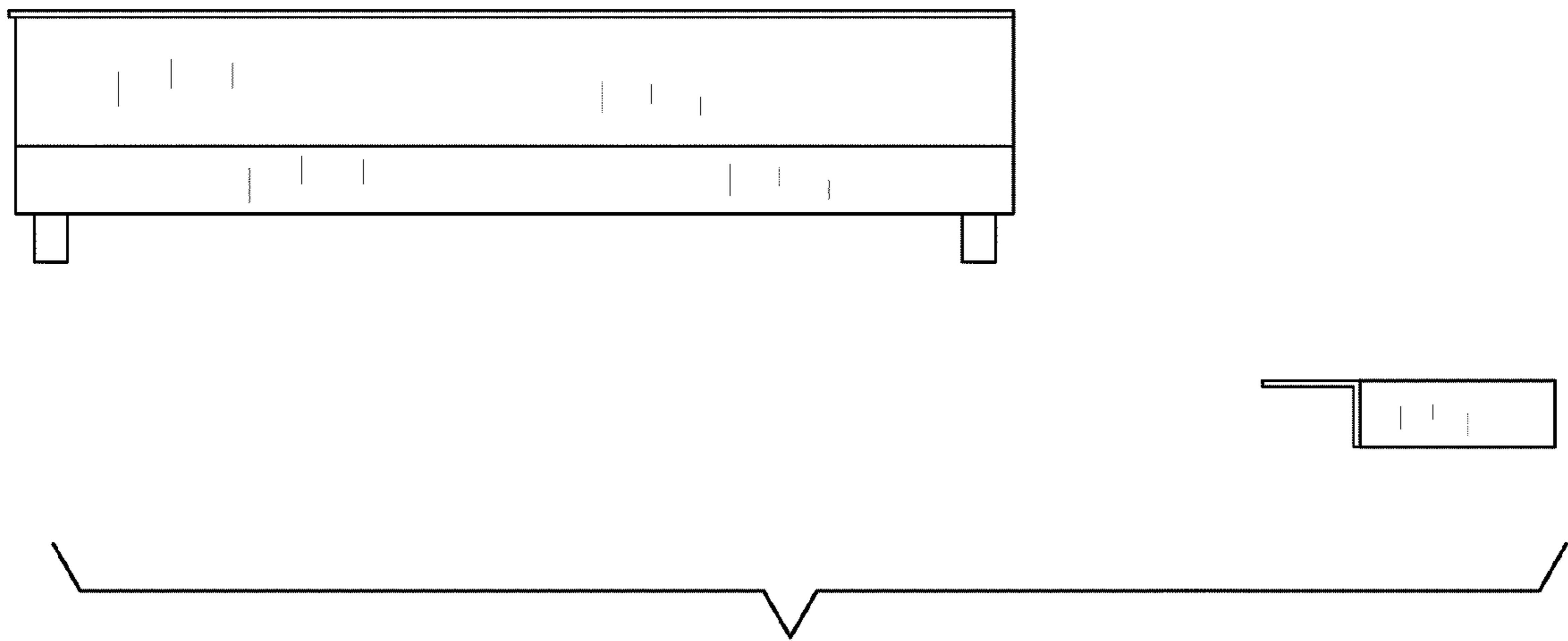


FIG. 3

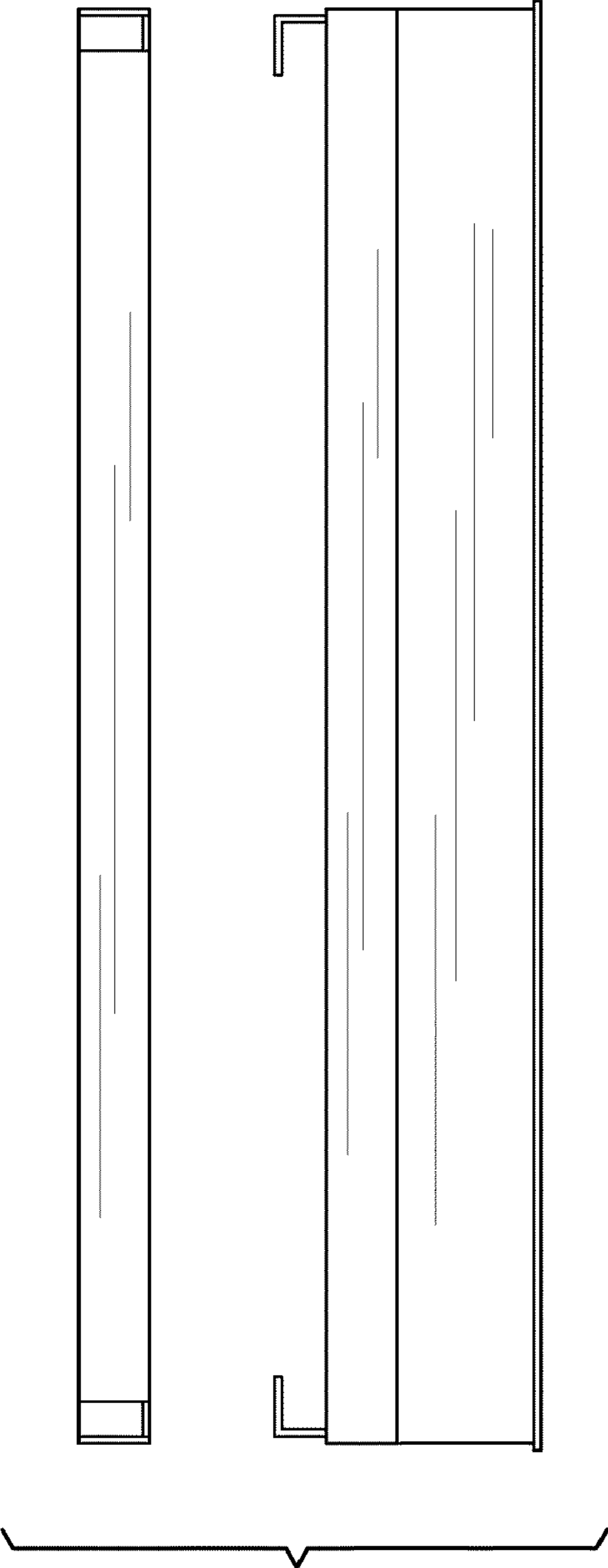


FIG. 4

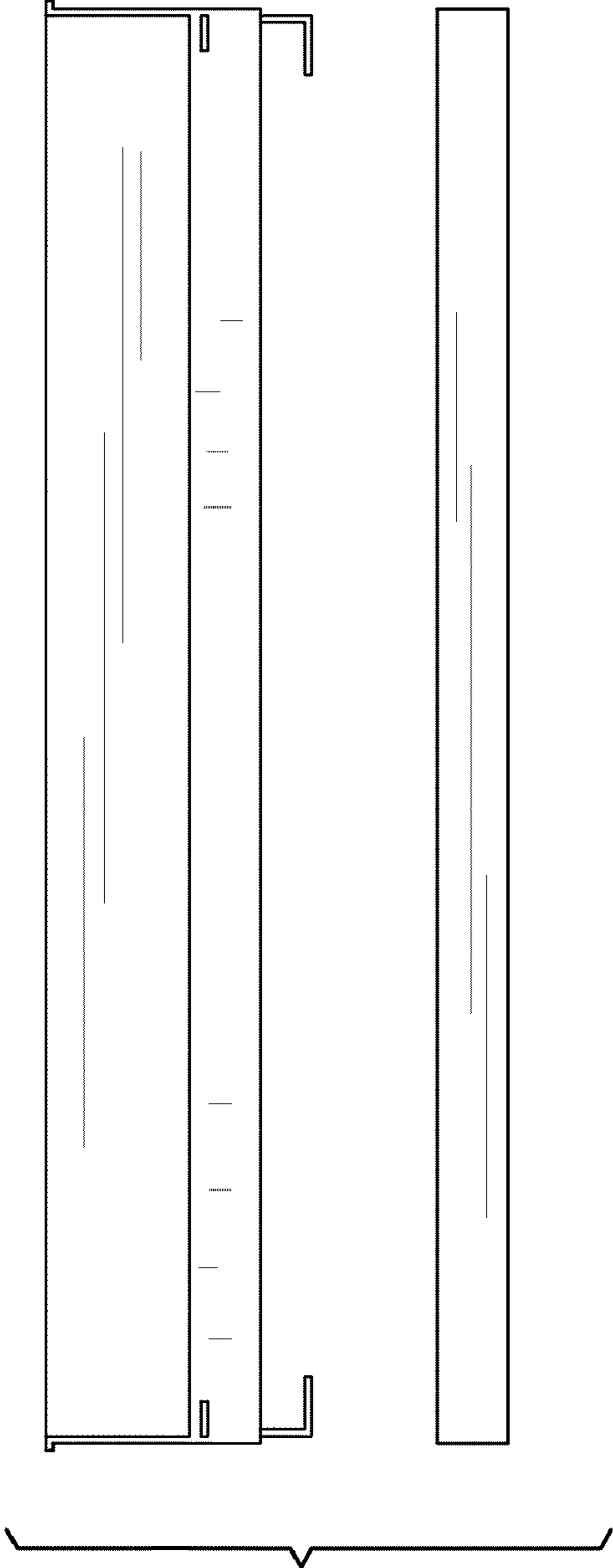


FIG. 5

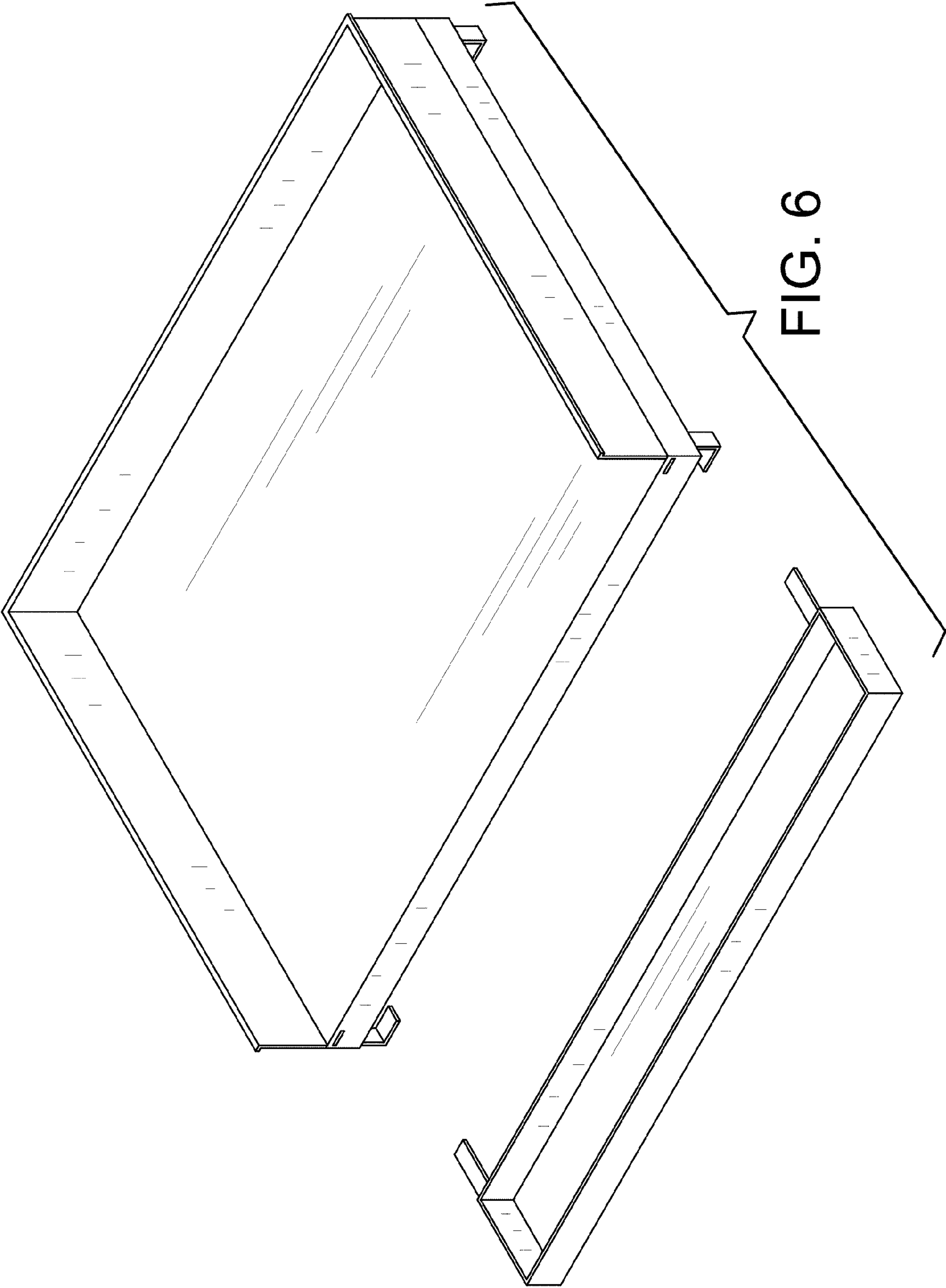


FIG. 6



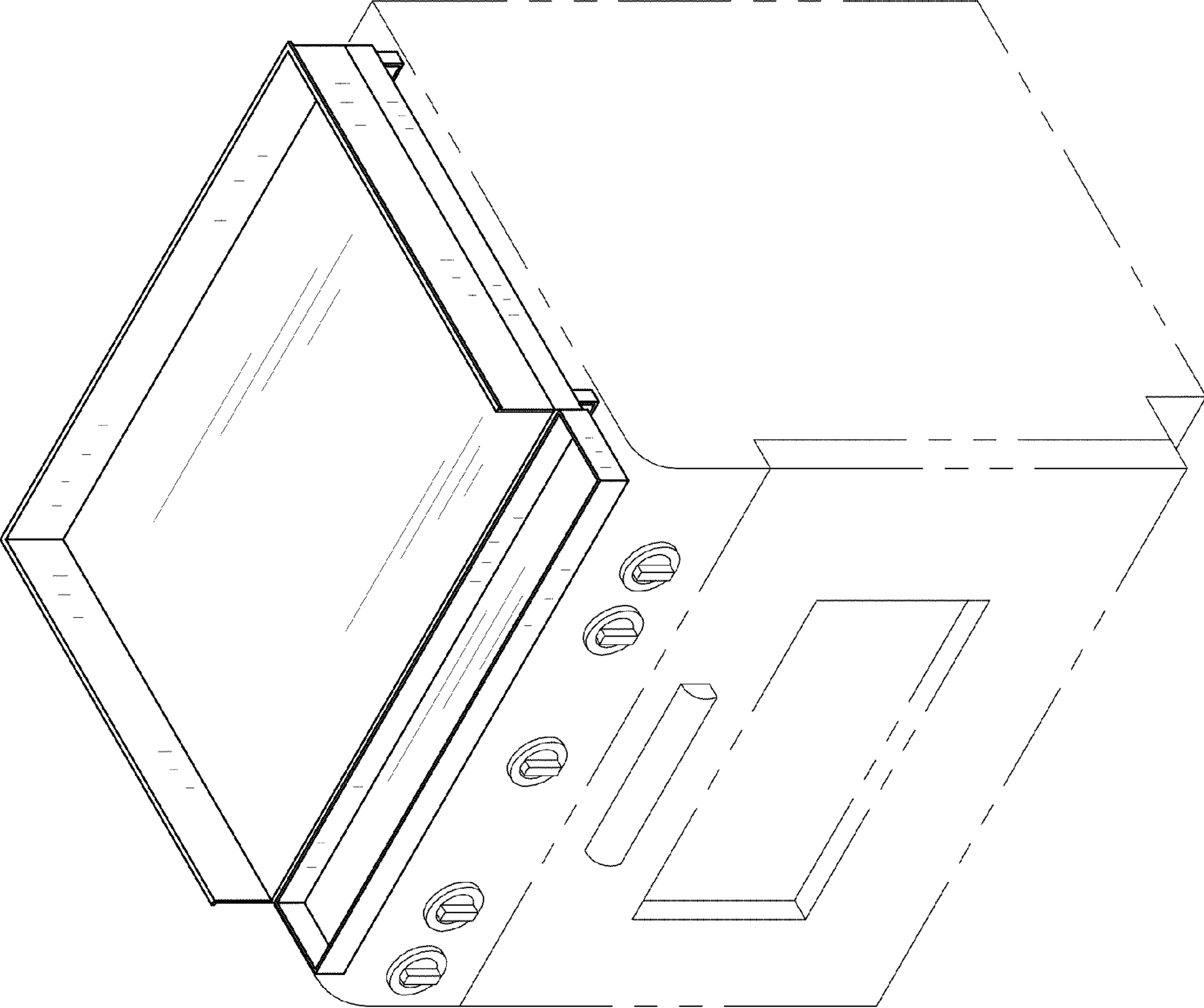


FIG. 7