



US00D613115S

(12) **United States Design Patent**
Holcomb

(10) **Patent No.:** **US D613,115 S**
(45) **Date of Patent:** **** Apr. 6, 2010**

(54) **FLATWARE**

(75) Inventor: **Christopher David Holcomb**, Sherrill, NY (US)

(73) Assignee: **Oneida Ltd.**, Oneida, NY (US)

(**) Term: **14 Years**

(21) Appl. No.: **29/346,988**

(22) Filed: **Nov. 10, 2009**

(51) **LOC (9) Cl.** **07-02**

(52) **U.S. Cl.** **D7/401.2; D7/653**

(58) **Field of Classification Search** D7/368,
D7/395, 401.2, 642-646, 649-654, 660-669,
D7/675-676, 683, 688-692, 695-696; 30/137,
30/141-143, 147-150, 322-327, 329, 340,
30/342-346; 416/70 R

See application file for complete search history.

(56) **References Cited**

U.S. PATENT DOCUMENTS

D240,389 S *	7/1976	Merry	D7/664
D245,386 S *	8/1977	Manderfield	D7/653
D250,628 S *	12/1978	Seibel	D7/653
D510,504 S *	10/2005	Shane-Schuldt	D7/653
D534,399 S *	1/2007	Thompson	D7/653
D535,531 S *	1/2007	Shane-Schuldt	D7/653
D545,144 S *	6/2007	Thompson	D7/653
D548,546 S *	8/2007	Richmond	D7/653
D550,520 S *	9/2007	Ito	D7/653
D554,444 S *	11/2007	Ito	D7/653
D575,594 S *	8/2008	Richmond	D7/653
D581,745 S *	12/2008	Richmond	D7/653

* cited by examiner

Primary Examiner—Caron Veynar

Assistant Examiner—Ricky Pham

(74) *Attorney, Agent, or Firm*—George R. McGuire; Bond Schoeneck & King, PLLC

(57) **CLAIM**

The ornamental design for flatware, as shown and described.

DESCRIPTION

FIG. 1 is a top plan view of a new and ornamental design for flatware embodied as a spoon, with the spoon shown in phantom for illustrative purposes only and forming no part of the claimed design;

FIG. 2 is a bottom plan view thereof;

FIG. 3 is a right side elevation view thereof, the opposite side being a mirror image thereof;

FIG. 4 is a cross-sectional view taken along section line 4—4 of FIG. 1 to illustrate the exterior peripheral shape of the article at the cross-section and with the interior construction details being illustrated in phantom lines and not forming any part of the claimed design;

FIG. 5 is a cross-sectional view taken along section line 5—5 of FIG. 1 to illustrate the exterior peripheral shape of the article at the cross-section and with the interior construction details being illustrated in phantom lines and not forming any part of the claimed design; and,

FIG. 6 is a cross-sectional view taken along section line 6—6 of FIG. 1 to illustrate the exterior peripheral shape of the article at the cross-section and with the interior construction details being illustrated in phantom lines and not forming any part of the claimed design.

1 Claim, 1 Drawing Sheet

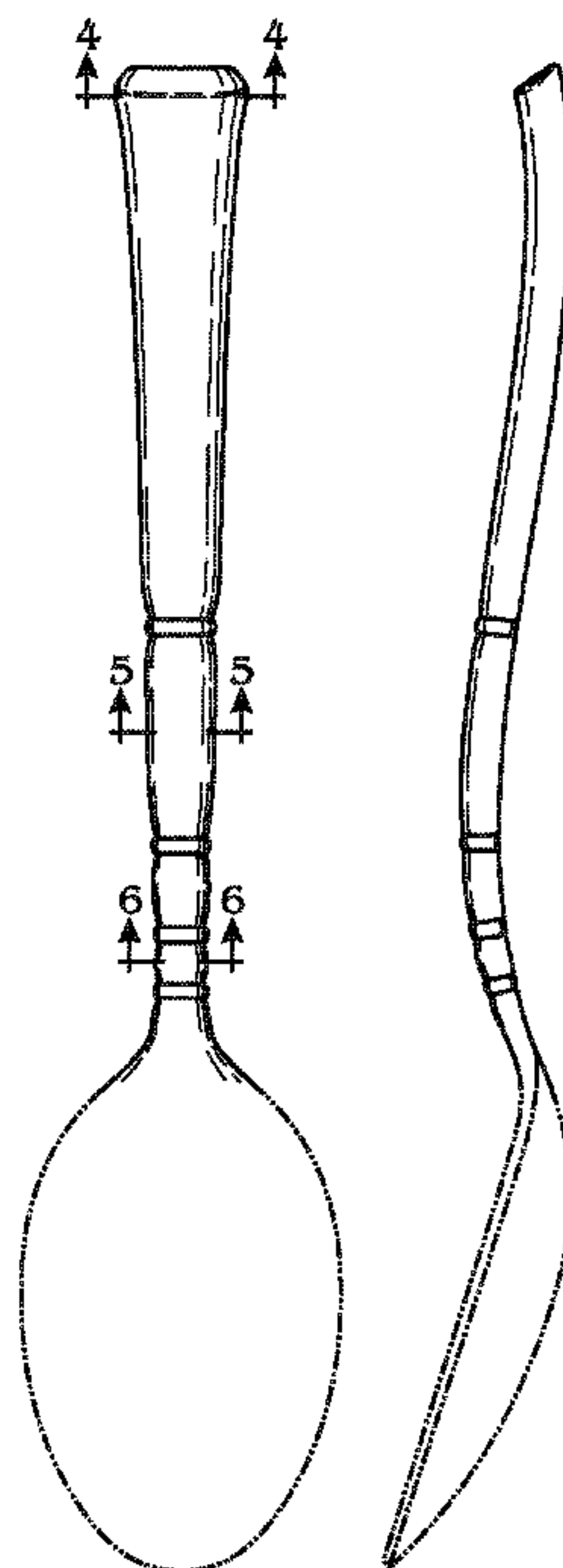


Fig. 1

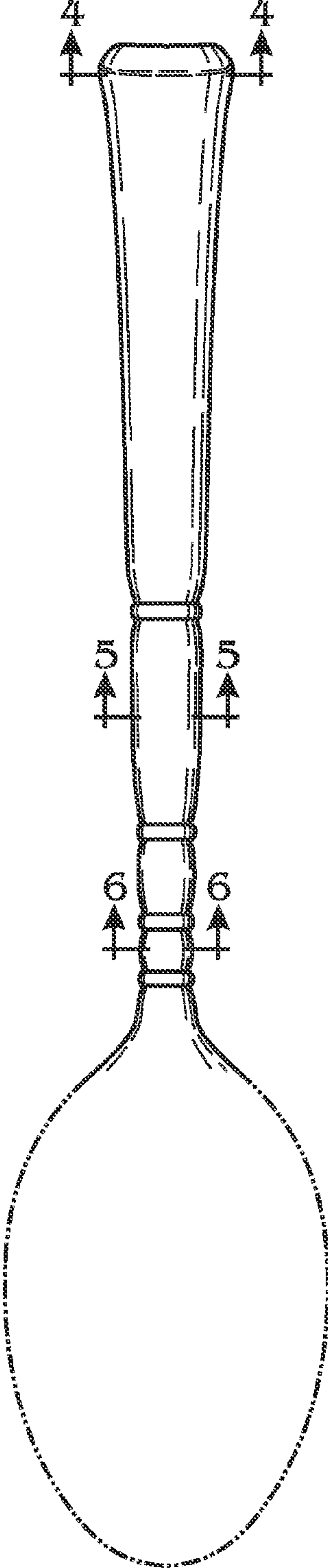


Fig. 2

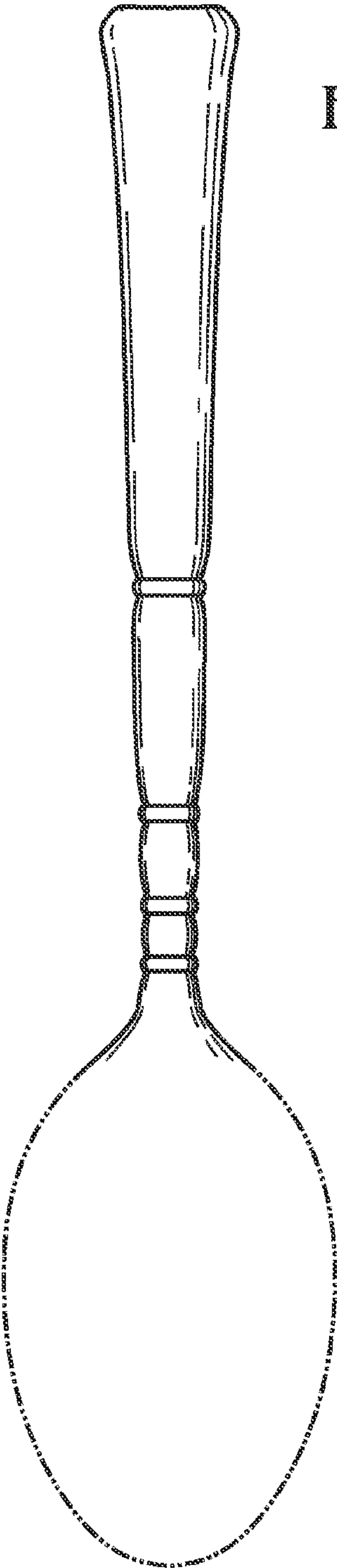


Fig. 3

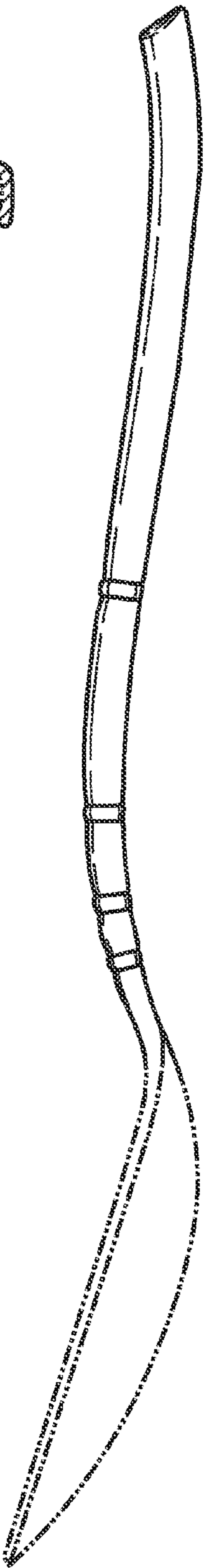


Fig. 4

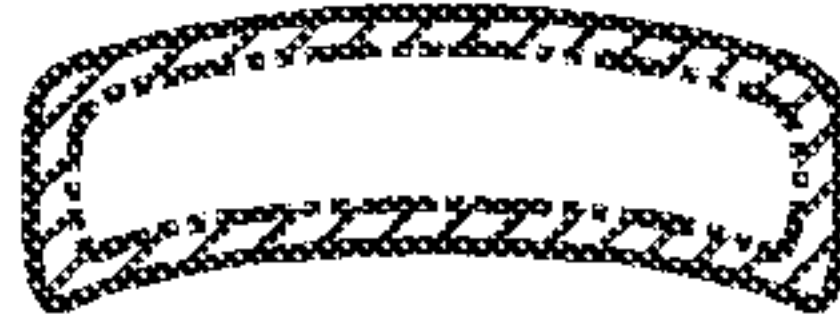


Fig. 5

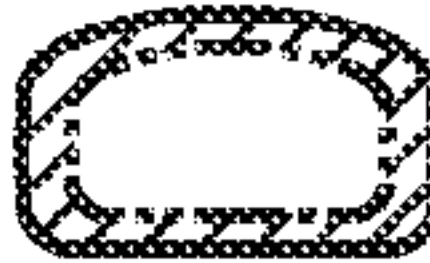


Fig. 6

