



US00D613113S

(12) **United States Design Patent**
Lippert et al.

(10) **Patent No.:** **US D613,113 S**
(45) **Date of Patent:** **** Apr. 6, 2010**

(54) **TOP PANEL OF A WATER DISPENSING MACHINE**

D446,080 S * 8/2001 Cruz D7/399
7,287,392 B2 * 10/2007 Brand et al. 62/132
D604,554 S * 11/2009 Lippert et al. D7/306

(75) Inventors: **Stefan Lippert**, Stuttgart (DE); **Colonel Kim**, Qingdao (CN)

(73) Assignee: **Waterlogic International Limited**, Nassau (BS)

* cited by examiner

Primary Examiner—Marianne Pandozzi

(74) *Attorney, Agent, or Firm*—Christie, Parker & Hale, LLP

(**) Term: **14 Years**

(21) Appl. No.: **29/345,444**

(57) **CLAIM**

(22) Filed: **Oct. 15, 2009**

The ornamental design for a top panel of a water dispensing machine, as shown and described.

Related U.S. Application Data

DESCRIPTION

(62) Division of application No. 29/323,498, filed on Aug. 26, 2008, now Pat. No. Des. 604,554.

(51) **LOC (9) Cl.** **07-99**

(52) **U.S. Cl.** **D7/397; D7/399**

(58) **Field of Classification Search** D7/397, D7/300, 306-313, 398, 399, 387; D20/4; 222/146.6, 185.1, 105, 527, 183; 141/363
See application file for complete search history.

FIG. 1 is a front perspective view of a top panel of a water dispensing machine;

FIG. 2 is a front elevation view of a top panel of a water dispensing machine;

FIG. 3 is a left side elevation view of a top panel of a water dispensing machine with the right side being a mirror image; and,

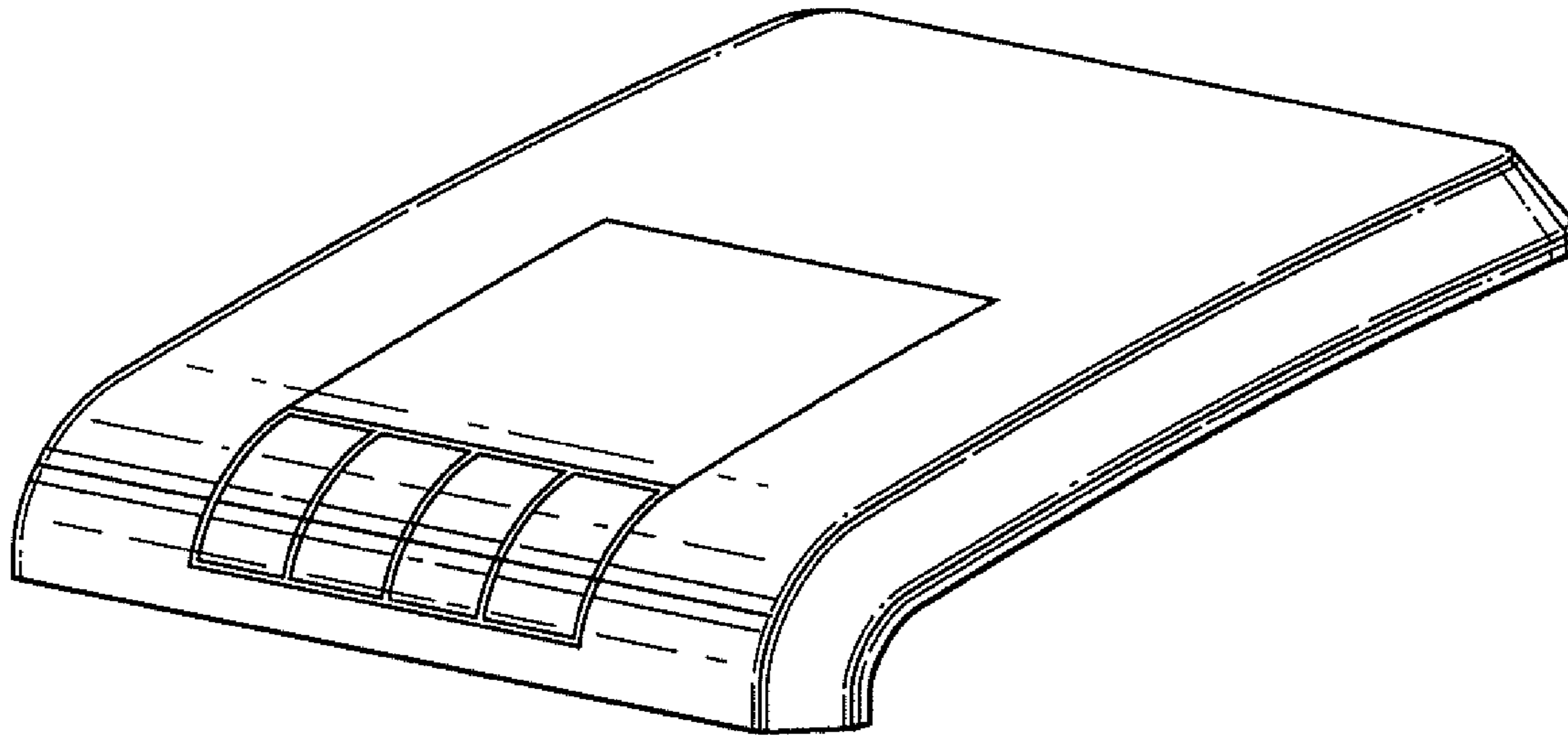
FIG. 4 is a top view of a top panel of a water dispensing machine.

(56) **References Cited**

U.S. PATENT DOCUMENTS

D348,798 S * 7/1994 Jacobs D7/392

1 Claim, 1 Drawing Sheet



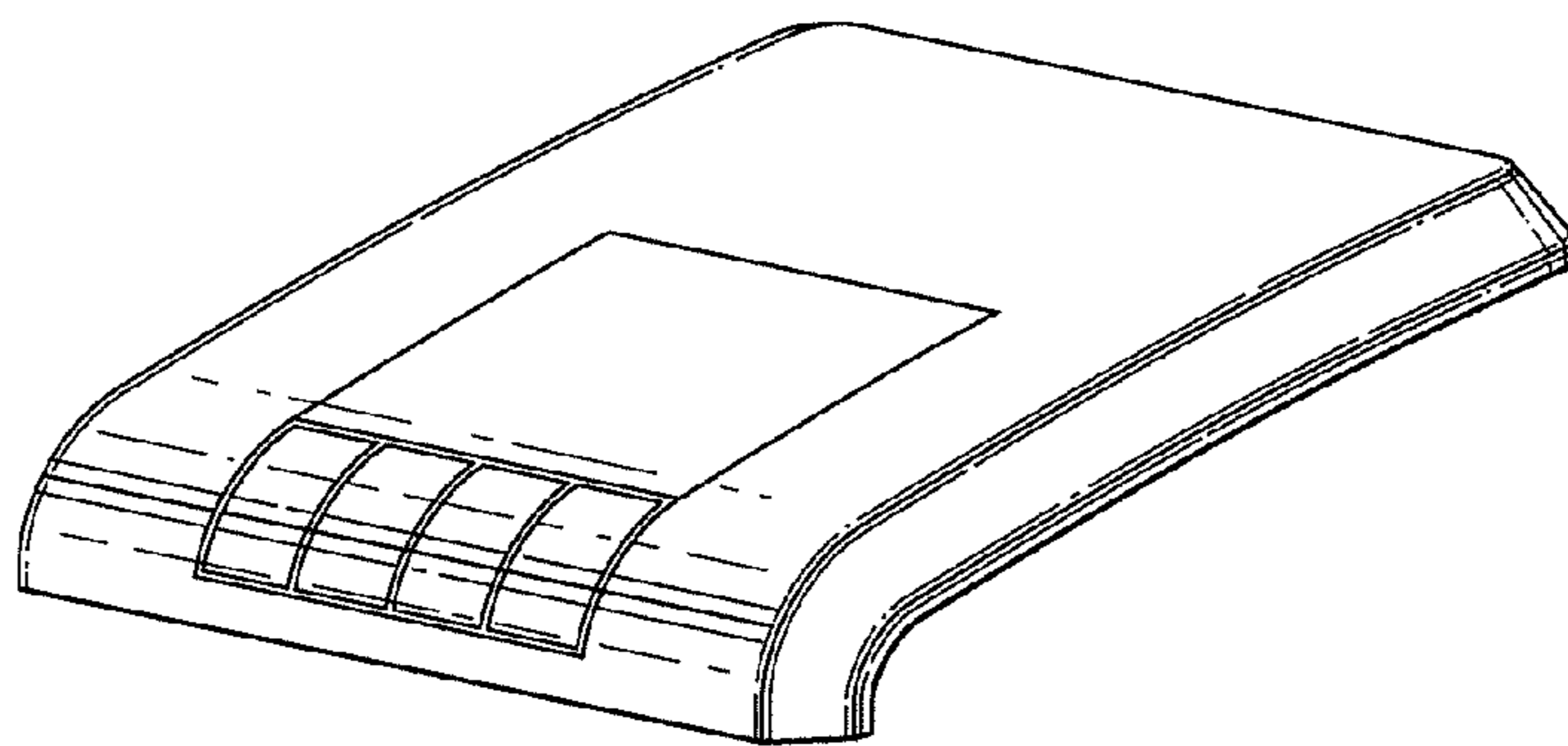


FIG. 1

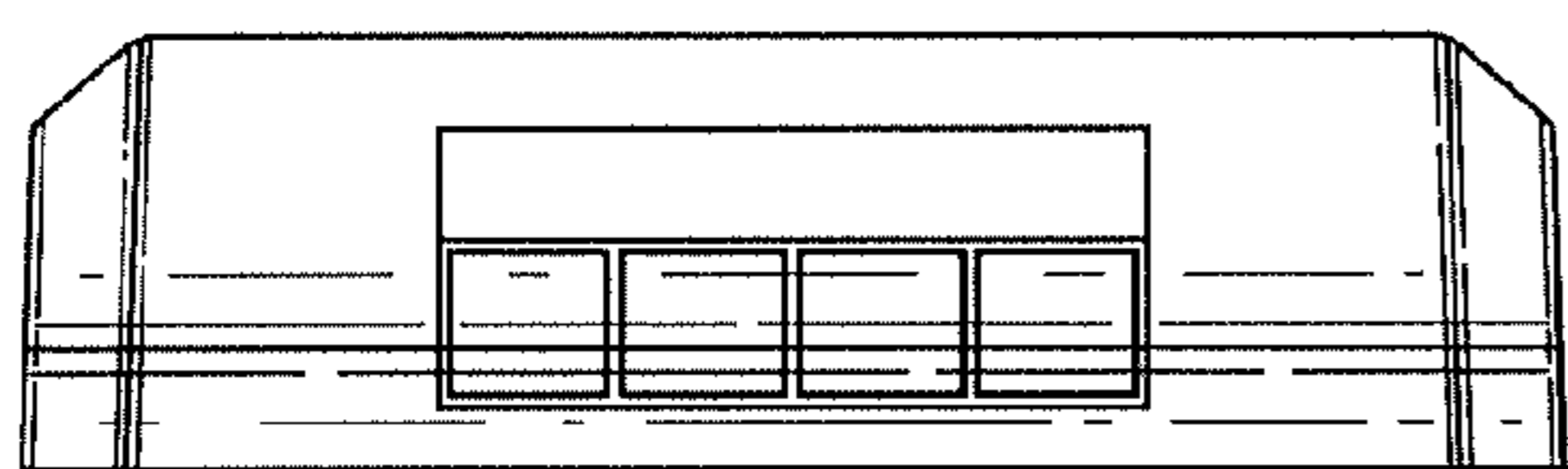


FIG. 2

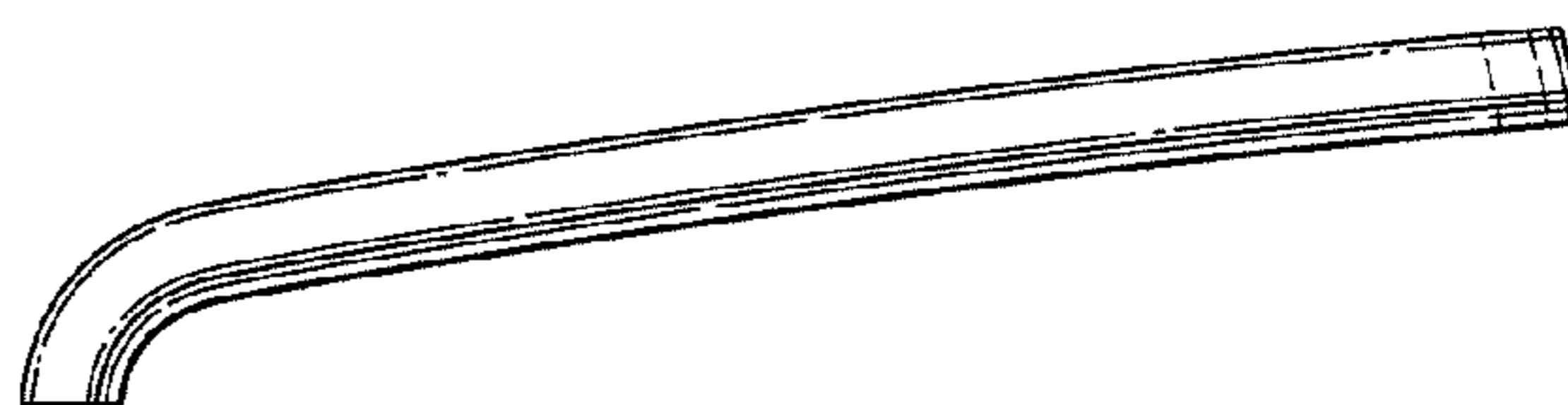


FIG. 3

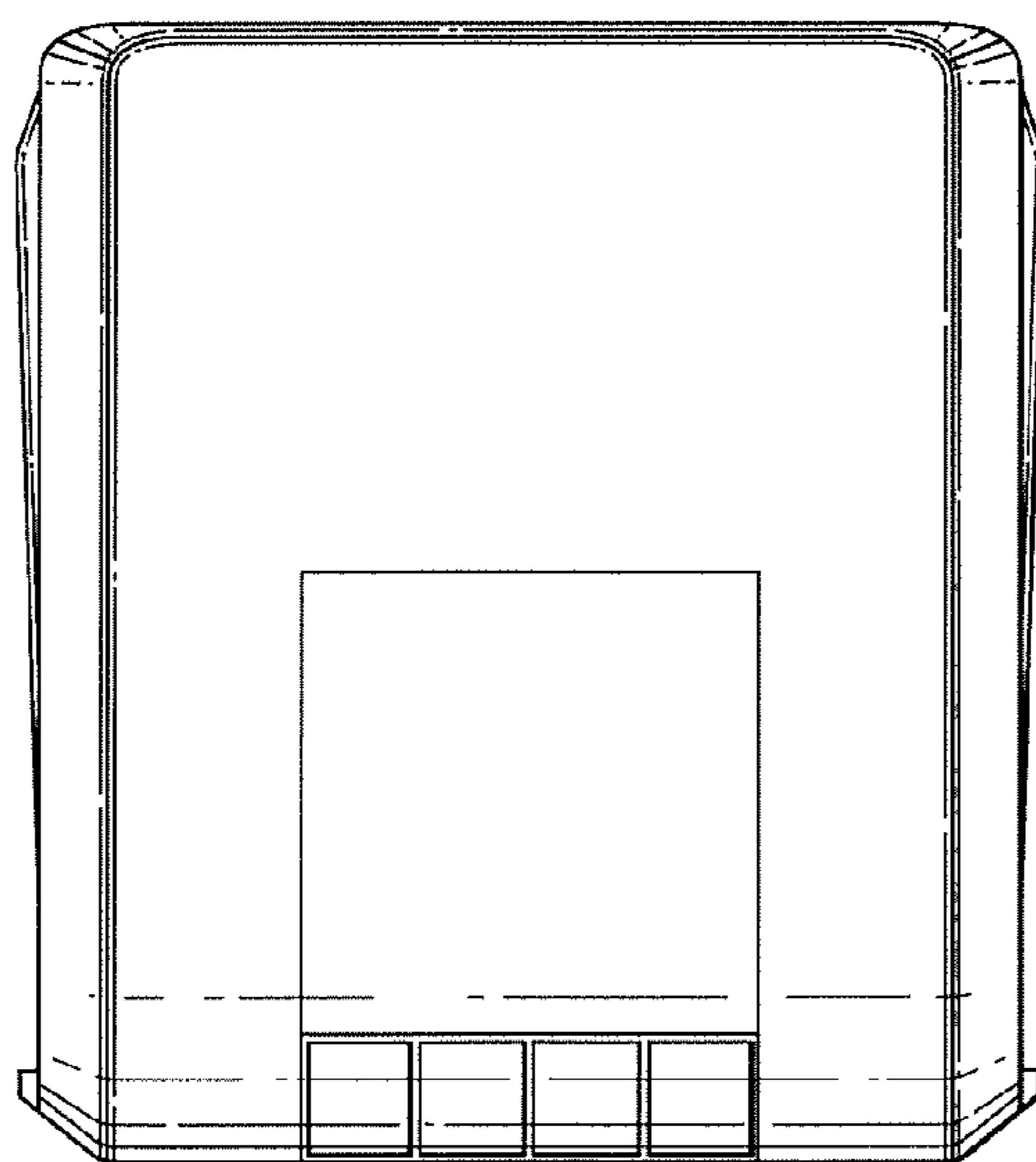


FIG. 4