



US00D613111S

(12) **United States Design Patent**
Furlong

(10) **Patent No.:** **US D613,111 S**
(45) **Date of Patent:** **** Apr. 6, 2010**

(54) **FOOD STORAGE CONTAINER LID**

(75) Inventor: **Brian Douglas Furlong**, Davidson, NC (US)

(73) Assignee: **Rubbermaid Incorporated**, Huntersville, NC (US)

(**) Term: **14 Years**

(21) Appl. No.: **29/331,502**

(22) Filed: **Jan. 27, 2009**

(51) **LOC (9) Cl.** **07-02**

(52) **U.S. Cl.** **D7/392.1**

(58) **Field of Classification Search** D7/391,
D7/392, 392.1, 629, 500, 538, 566, 568, 570,
D7/584; D9/425, 428, 434-436, 451-454,
D9/503, 504, 569; 220/700, 701, 780, 782,
220/315, 377, 800; 215/200, 224, 316, 354
See application file for complete search history.

(56) **References Cited**

U.S. PATENT DOCUMENTS

| | | | | |
|--------------|---------|----------------|-------|----------|
| D390,109 S * | 2/1998 | Tucker et al. | | D9/425 |
| D398,812 S * | 9/1998 | Laib | | D7/392.1 |
| D419,829 S * | 2/2000 | Wilson et al. | | D7/629 |
| D420,548 S * | 2/2000 | Loew et al. | | D7/392.1 |
| D427,063 S * | 6/2000 | May | | D9/425 |
| D443,184 S * | 6/2001 | Maxwell et al. | | D7/629 |
| D448,969 S * | 10/2001 | Conti | | D7/392.1 |

(Continued)

Primary Examiner—Philip S Hyder

Assistant Examiner—Cynthia M Chin

(74) *Attorney, Agent, or Firm*—Lempia Braidwood LLC

(57) **CLAIM**

The ornamental design for a “food storage container lid,” as shown and described.

DESCRIPTION

FIG. 1 is a top, front, and left side perspective view showing my new design for a food storage container lid;

FIG. 2 is a front view of the food storage container lid shown in FIG. 1;

FIG. 3 is a right side view of the food storage container lid shown in FIG. 1;

FIG. 4 is a left side view of the food storage container lid shown in FIG. 1;

FIG. 5 is a rear view of the food storage container lid shown in FIG. 1;

FIG. 6 is a top view of the food storage container lid shown in FIG. 1;

FIG. 7 is a bottom view of the food storage container lid shown in FIG. 1;

FIG. 8 is a perspective exploded view of the food storage container lid shown in FIG. 1 with an exemplary base;

FIG. 9 is a top, front, and left side perspective view showing an alternate embodiment of my new design for a food storage container lid of a different size;

FIG. 10 is a front view of the food storage container lid shown in FIG. 9;

FIG. 11 is a right view of the food storage container lid shown in FIG. 9;

FIG. 12 is a left side view of the food storage container lid shown in FIG. 9;

FIG. 13 is a rear view of the food storage container lid shown in FIG. 9;

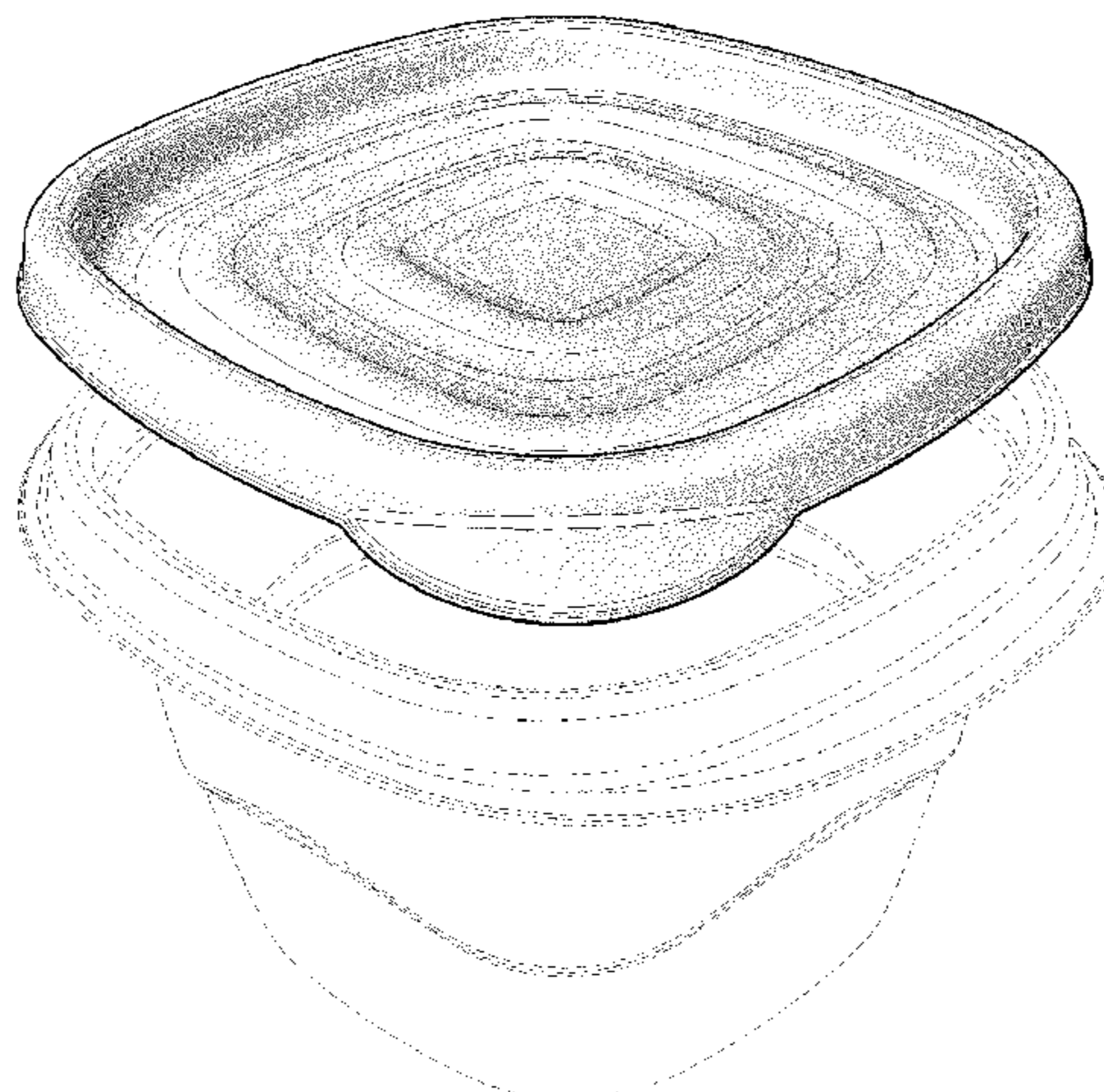
FIG. 14 is a top view of the food storage container lid shown in FIG. 9;

FIG. 15 is a bottom view of the food storage container lid shown in FIG. 9; and,

FIG. 16 is a perspective exploded view of the food storage container lid shown in FIG. 9 with an exemplary base.

The subject matter shown in dashed lines is for illustrative purposes only and forms no part of the claimed design.

1 Claim, 7 Drawing Sheets



US D613,111 S

Page 2

U.S. PATENT DOCUMENTS

| | | | | | | | |
|--------------|---------|---------------------|----------|--------------|---------|--------------------|----------|
| D462,880 S * | 9/2002 | Maxwell et al. | D7/629 | D502,049 S * | 2/2005 | Munson et al. | D7/392.1 |
| D465,382 S * | 11/2002 | Wolf et al. | D7/392.1 | D505,839 S * | 6/2005 | Stanos et al. | D7/629 |
| D475,239 S * | 6/2003 | Claypool | D7/392.1 | D536,922 S * | 2/2007 | Roth et al. | D7/391 |
| D485,468 S * | 1/2004 | Roth et al. | D7/392.1 | D541,598 S * | 5/2007 | Kim | D7/629 |
| D485,473 S * | 1/2004 | Dais et al. | D7/629 | D542,100 S * | 5/2007 | Kim | D7/629 |
| D490,278 S * | 5/2004 | Welsh | D7/629 | D551,496 S * | 9/2007 | Ablo et al. | D7/392.1 |
| D501,754 S * | 2/2005 | Munson et al. | D7/392.1 | D555,983 S * | 11/2007 | Tucker et al. | D7/629 |
| | | | | D585,699 S * | 2/2009 | Furlong | D7/392.1 |

* cited by examiner

FIG. 1

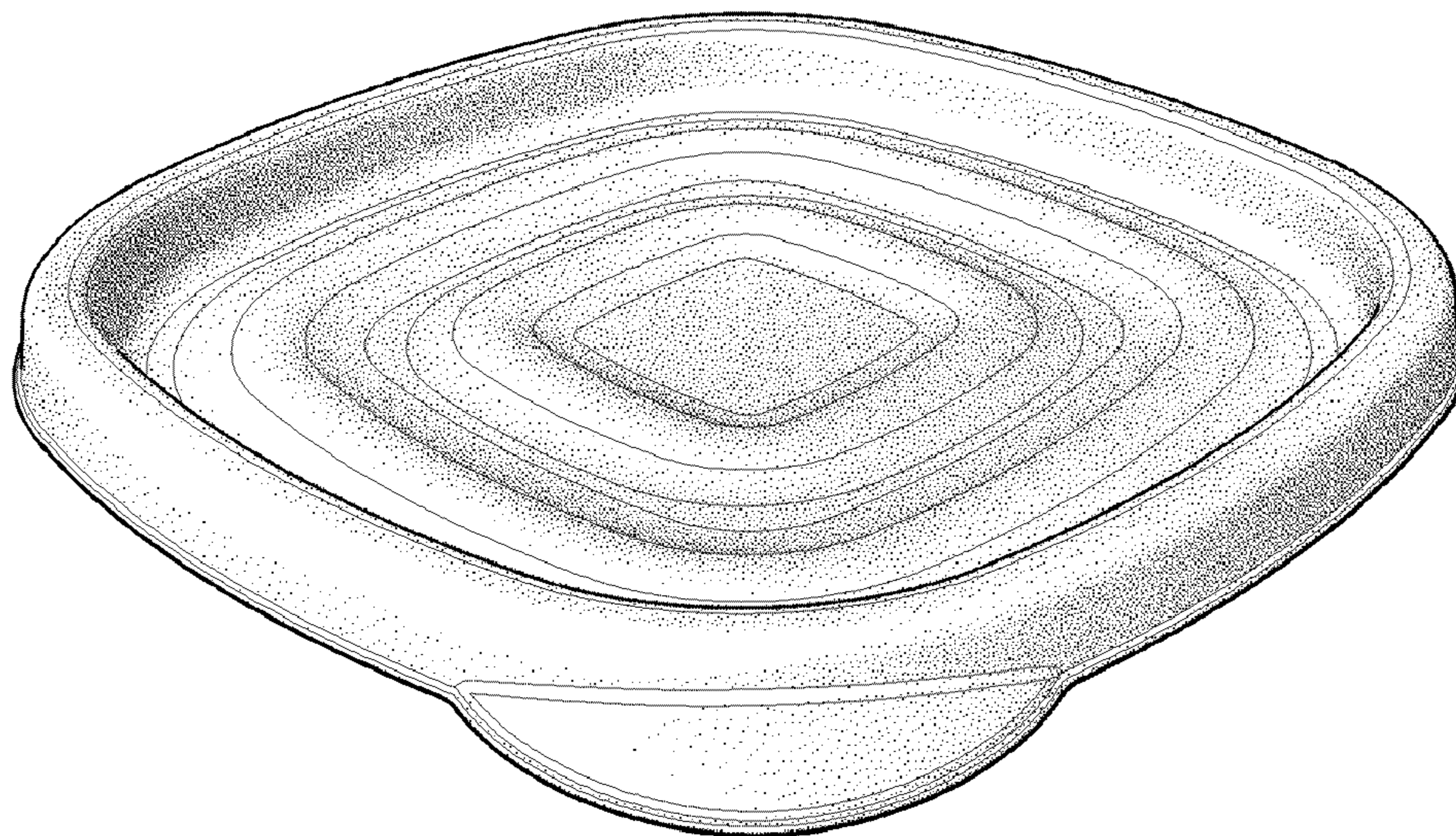


FIG. 2

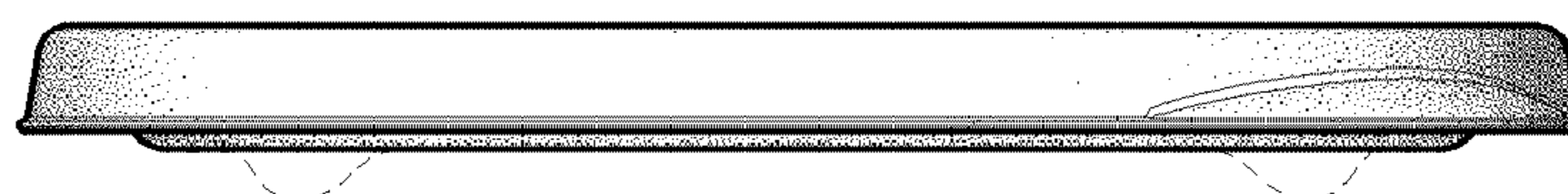


FIG. 3

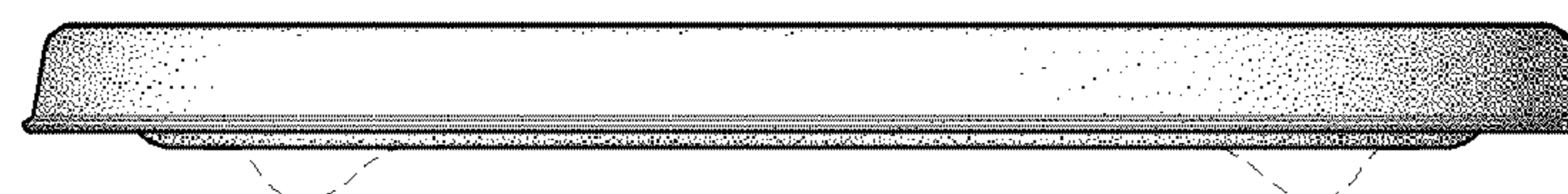


FIG. 4

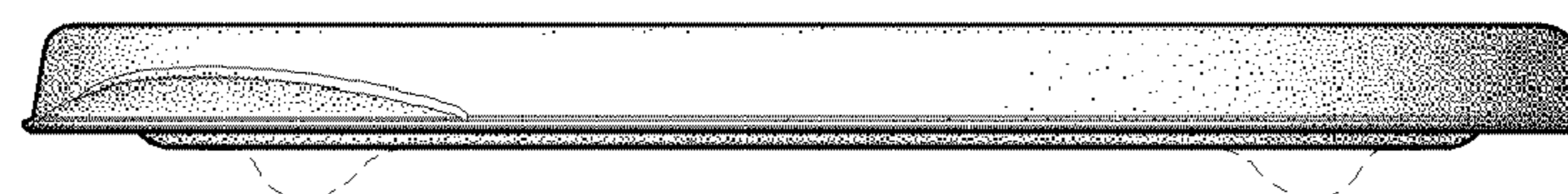


FIG. 5



FIG. 6

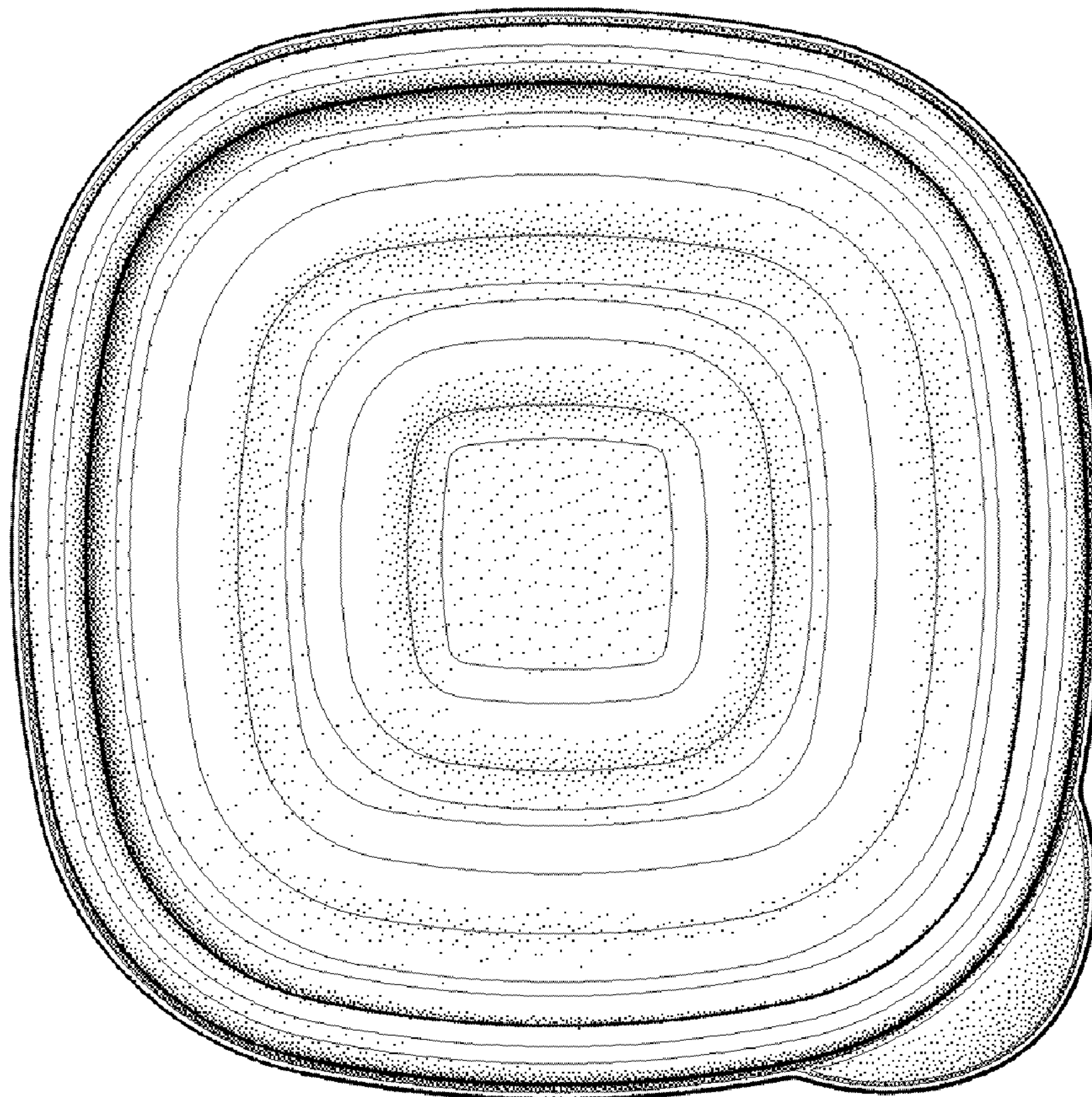


FIG. 7

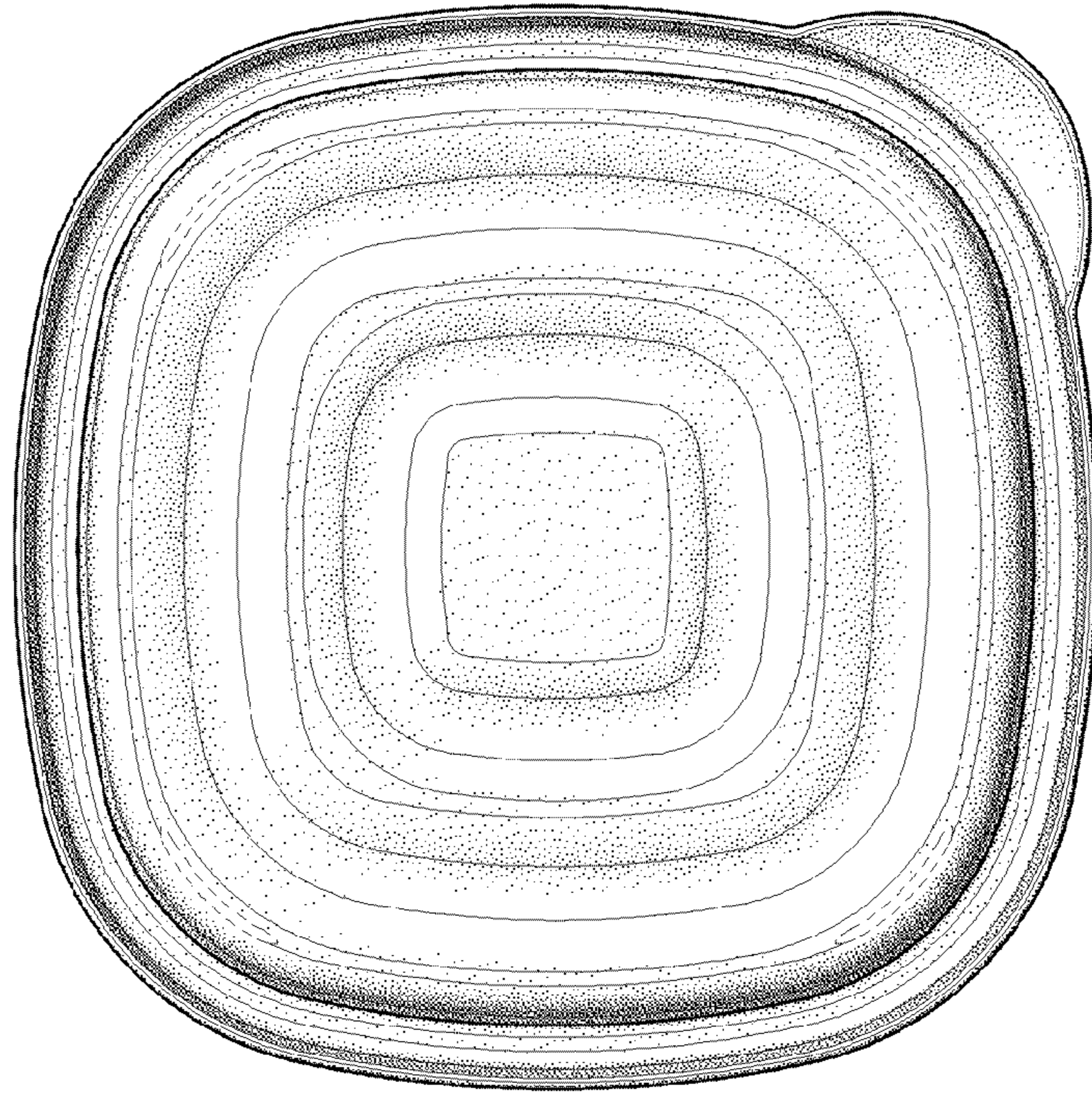


FIG. 8

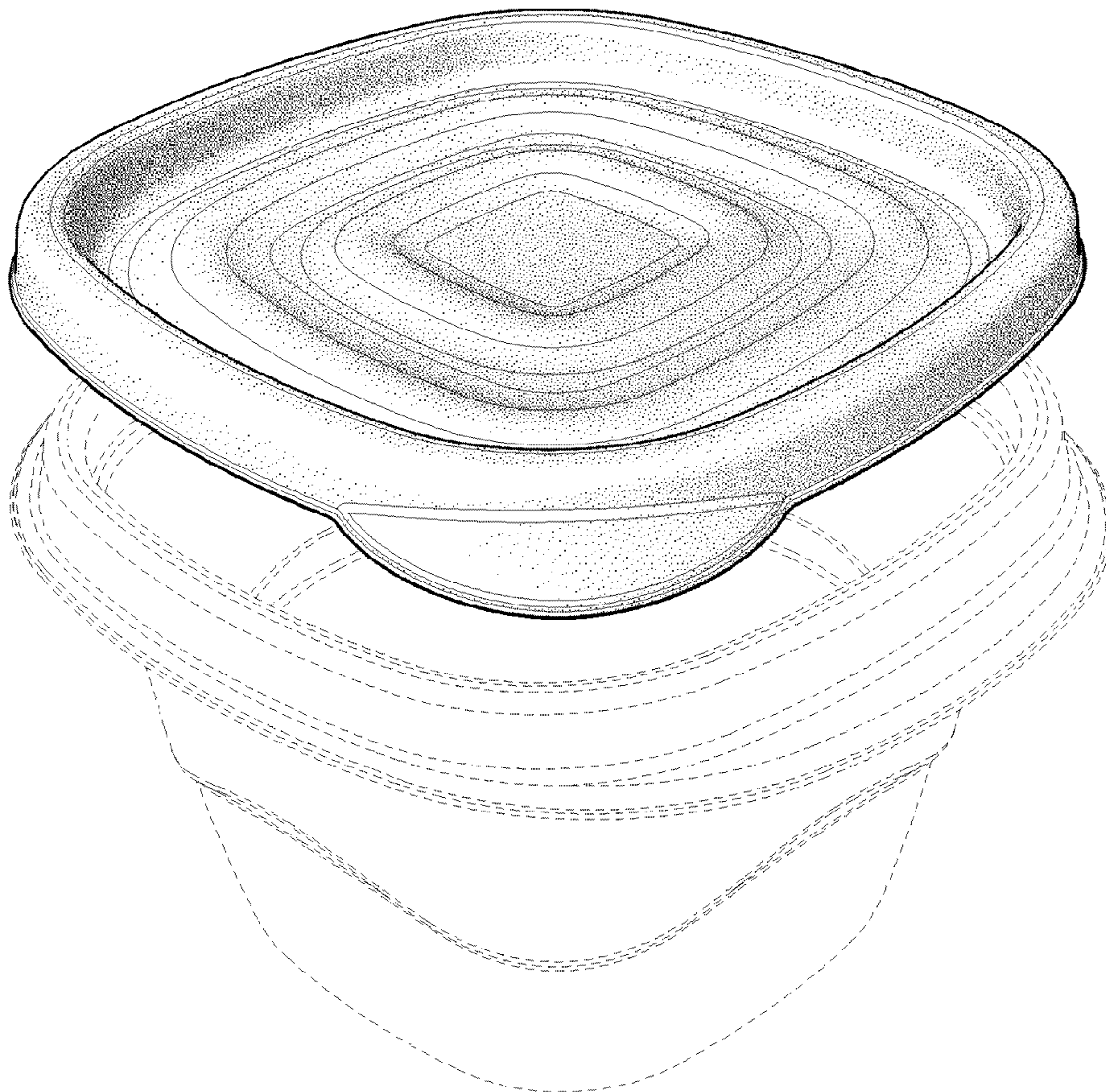


FIG. 9



FIG. 10



FIG. 11

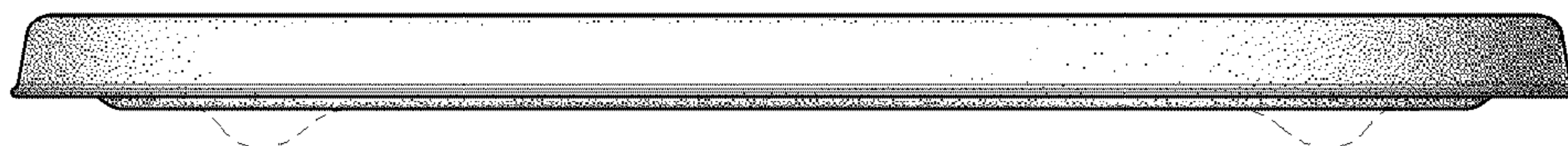


FIG. 12

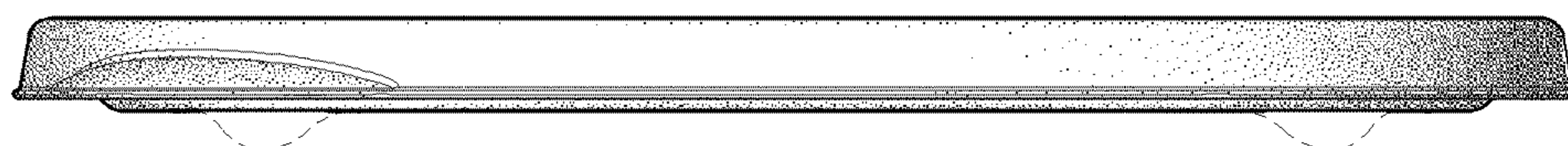


FIG. 13



FIG. 14

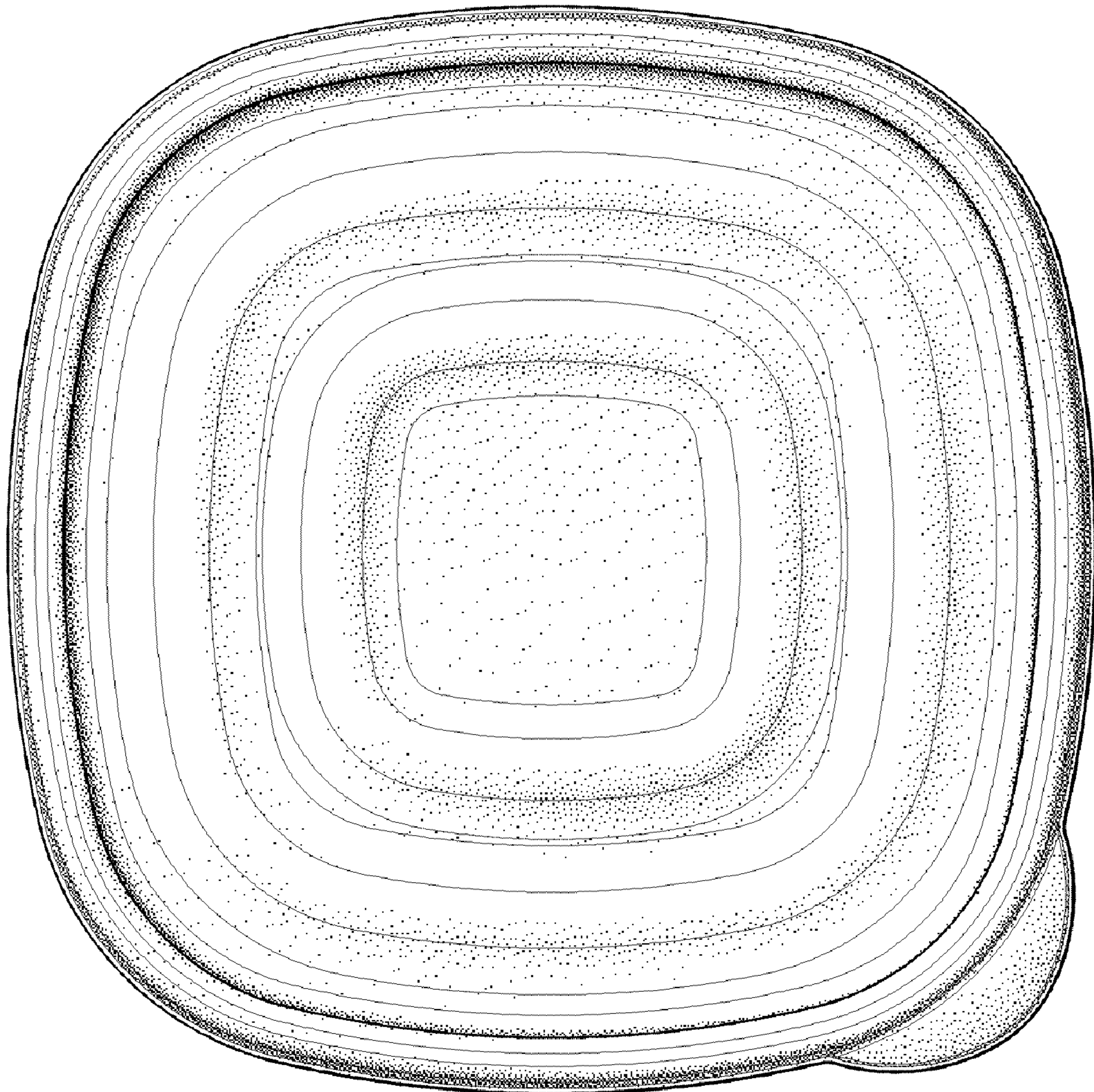


FIG. 15

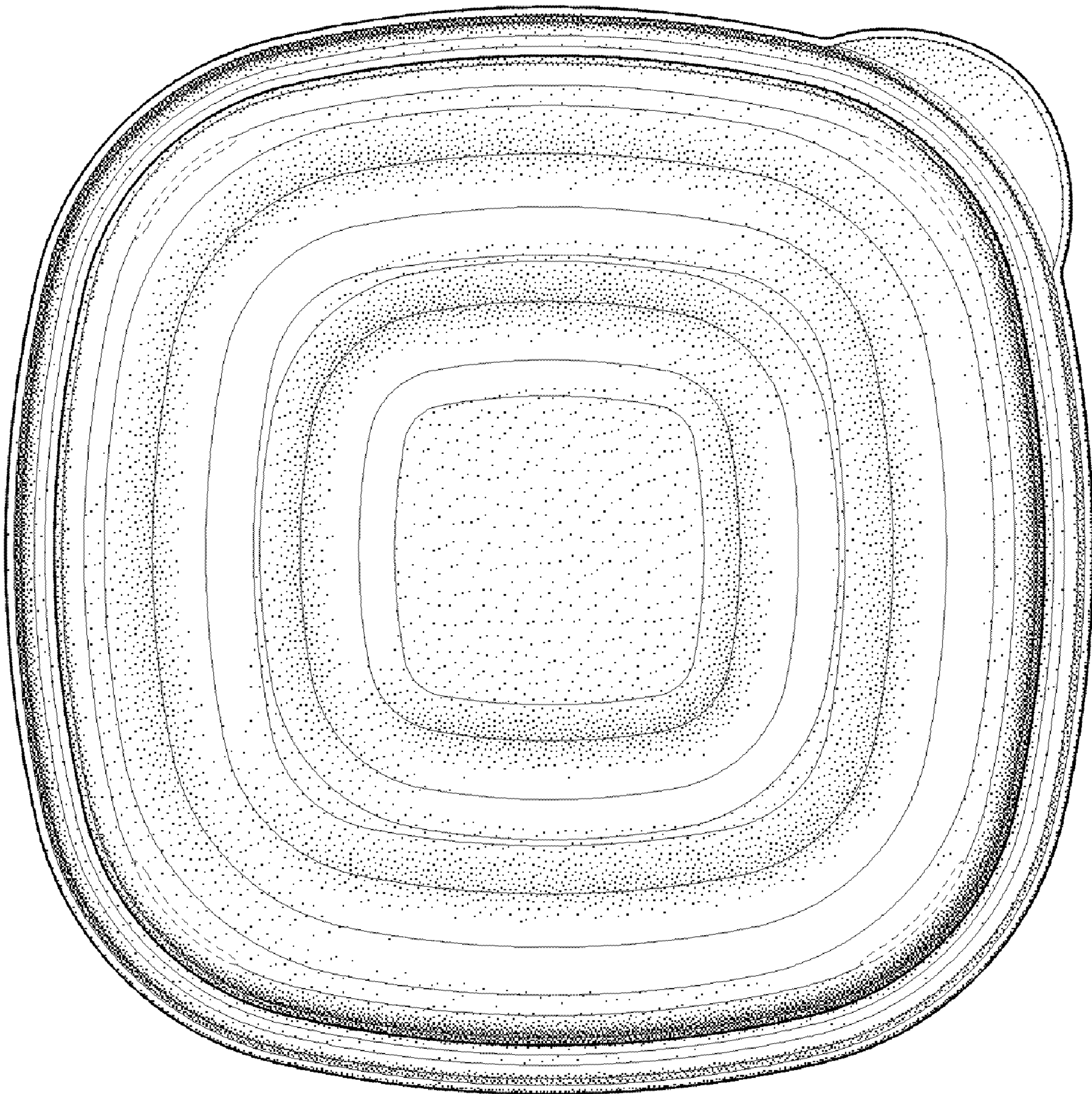


FIG. 16

