



US00D613110S

(12) **United States Design Patent**
Lane et al.

(10) **Patent No.:** **US D613,110 S**
(45) **Date of Patent:** **** Apr. 6, 2010**

(54) **LID FOR A BEVERAGE/FOOD CONTAINER**

Primary Examiner—Philip S Hyder
Assistant Examiner—Cynthia M Chin

(75) Inventors: **Marvin Lane**, Round Lake Beach, IL (US); **Dwayne Boroski**, Lake in the Hills, IL (US)

(74) *Attorney, Agent, or Firm*—Wood, Phillips, Katz, Clark & Mortimer

(73) Assignee: **Thermos L.L.C.**, Rolling Meadows, IL (US)

(57) **CLAIM**

(**) Term: **14 Years**

The ornamental design for a lid for a beverage/food container, as shown and described.

(21) Appl. No.: **29/313,981**

(22) Filed: **Feb. 24, 2009**

DESCRIPTION

(51) **LOC (9) Cl.** **07-02**

FIG. 1 is a perspective view from above of the lid for a beverage/food container;

(52) **U.S. Cl.** **D7/392.1**

FIG. 2 is a perspective view from below and behind of the lid for a beverage/food container;

(58) **Field of Classification Search** D7/510,
D7/511, 638, 392, 392.1, 396.1, 396.2; D9/435,
D9/438, 439, 445, 447, 449, 452–454, 510,
D9/709, 715, 718, 781; 220/212, 254.9,
220/270, 271, 345.1, 547, 575, 708; 215/254,
215/388; 222/547

FIG. 3 is a front view of the lid for a beverage/food container;
FIG. 4 is a right side elevation of the lid for a beverage/food container, with the left side elevation being a mirror image of FIG. 4;

See application file for complete search history.

FIG. 5 is a back view of the lid for a beverage/food container;
FIG. 6 is a view from above of the lid for a beverage/food container;

(56) **References Cited**

U.S. PATENT DOCUMENTS

4,574,970	A *	3/1986	Schwarz	220/713
D364,316	S *	11/1995	Humphrey et al.	D7/510
D418,368	S *	1/2000	Solland et al.	D7/510
D470,009	S *	2/2003	Turchi et al.	D7/392.1
D480,268	S *	10/2003	Laib	D7/510
D508,185	S *	8/2005	Gauss	D7/392.1
D555,000	S *	11/2007	Bunce et al.	D9/529
D562,065	S *	2/2008	Smaldone	D7/396.2
D581,727	S *	12/2008	Pinelli et al.	D7/392.1
D586,184	S *	2/2009	Miller et al.	D7/511
D592,913	S *	5/2009	Pinelli et al.	D7/608

FIG. 7 is a bottom view of the lid for a beverage/food container;

FIG. 8 is a perspective view from above and to the front showing the lid for a beverage/food container in another context; and,

FIG. 9 is a view similar to FIG. 8 but again showing the lid for a beverage/food container in yet another context.

The broken lines represent portions of the design that form no part of the claim.

* cited by examiner

1 Claim, 4 Drawing Sheets

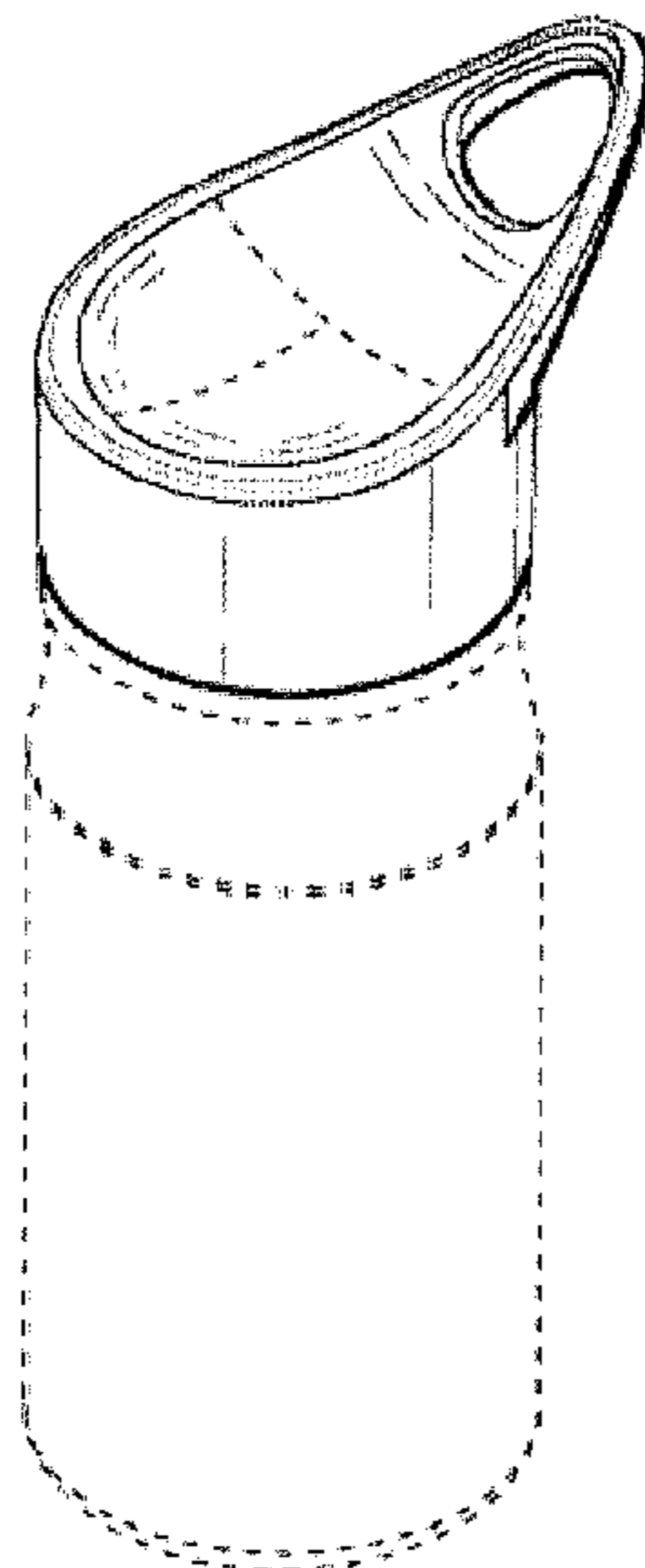


Fig. 1

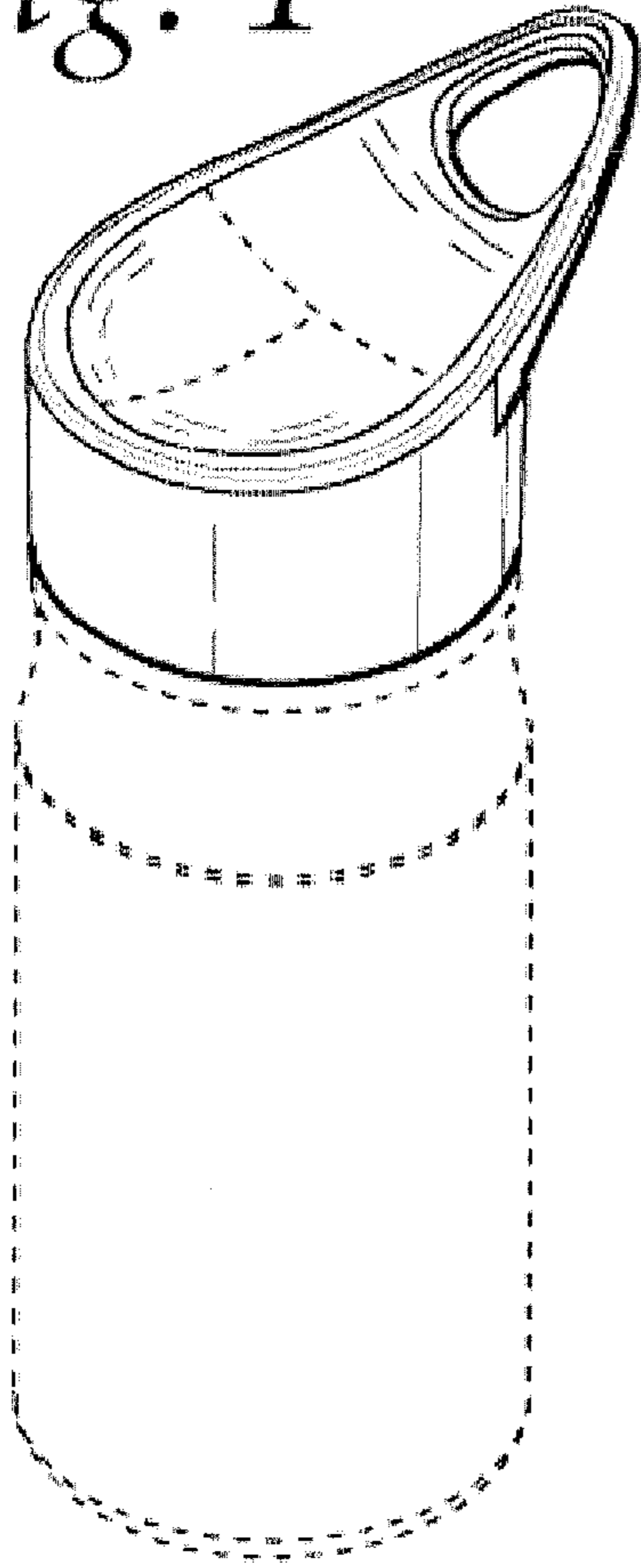


Fig. 2

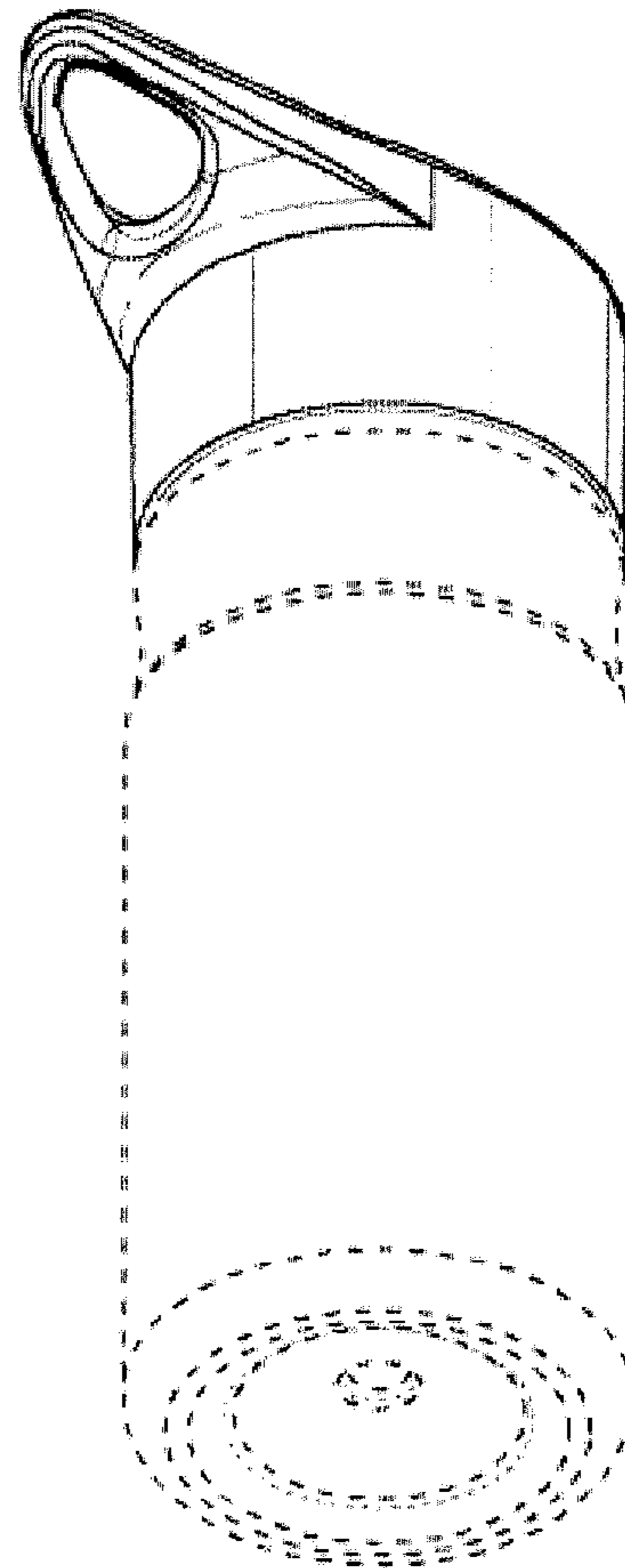


Fig. 3

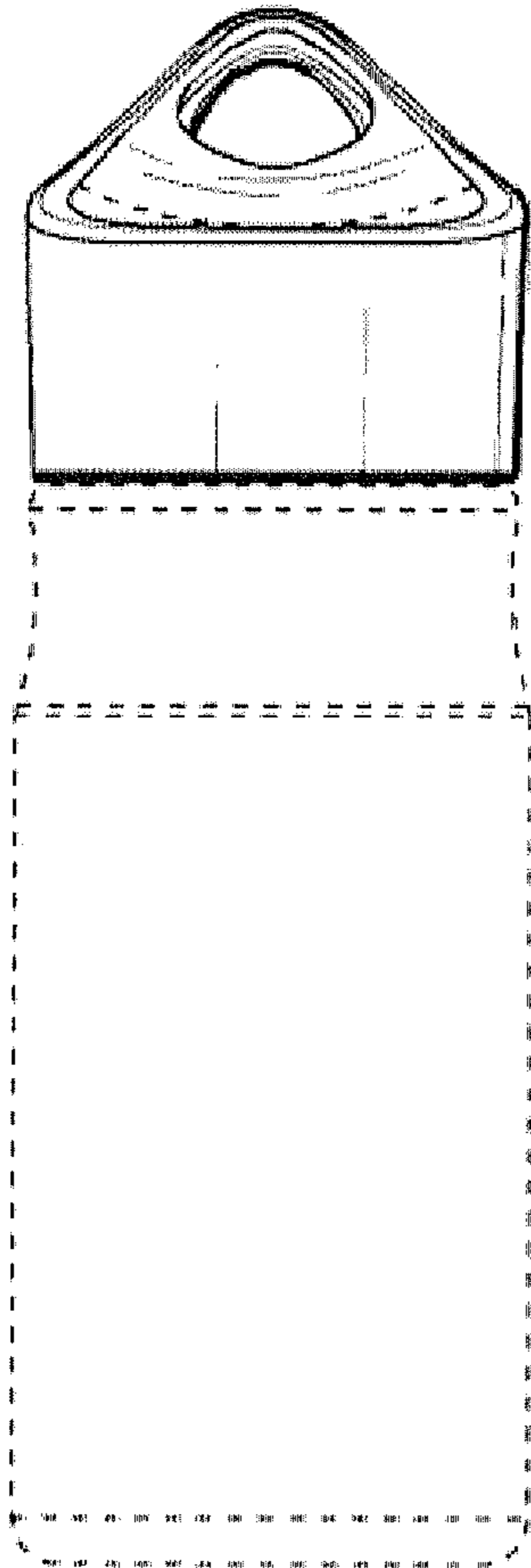


Fig. 4

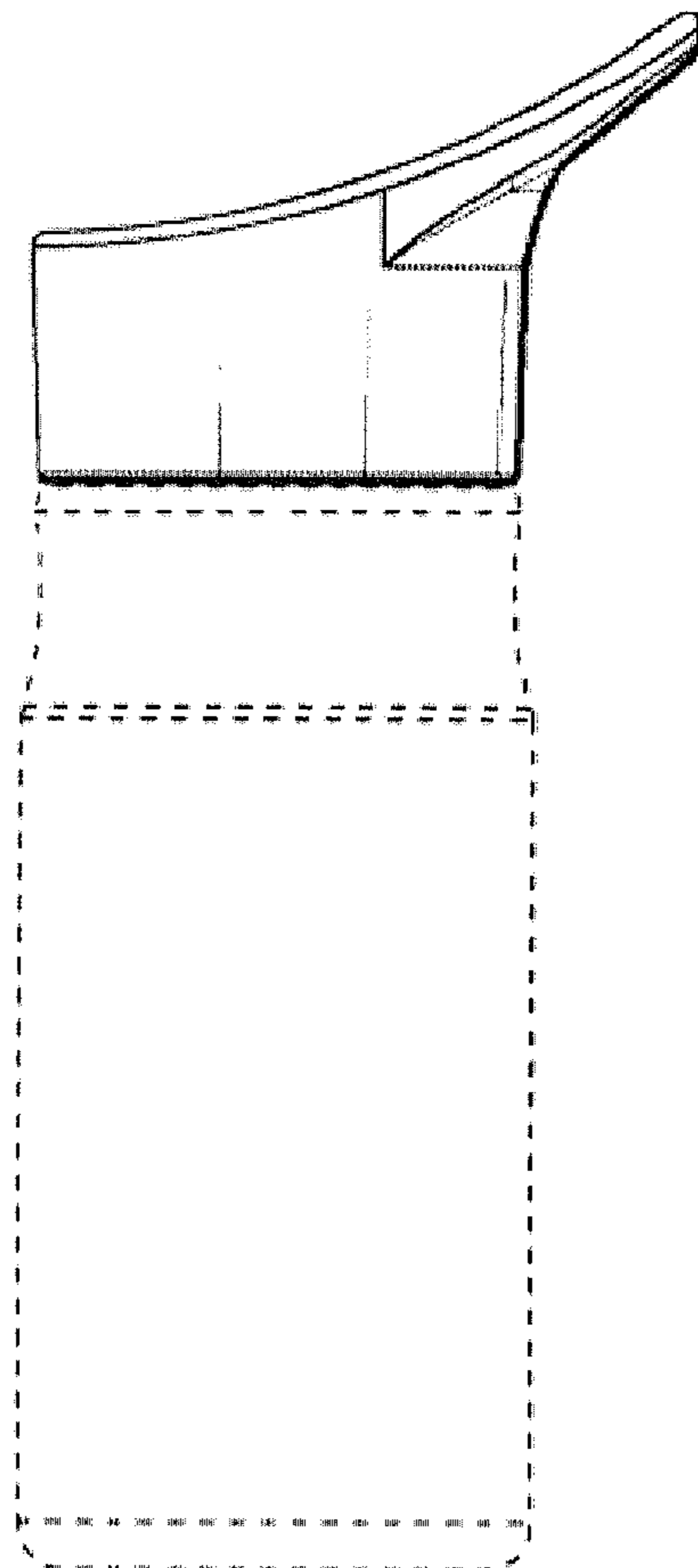


Fig. 5

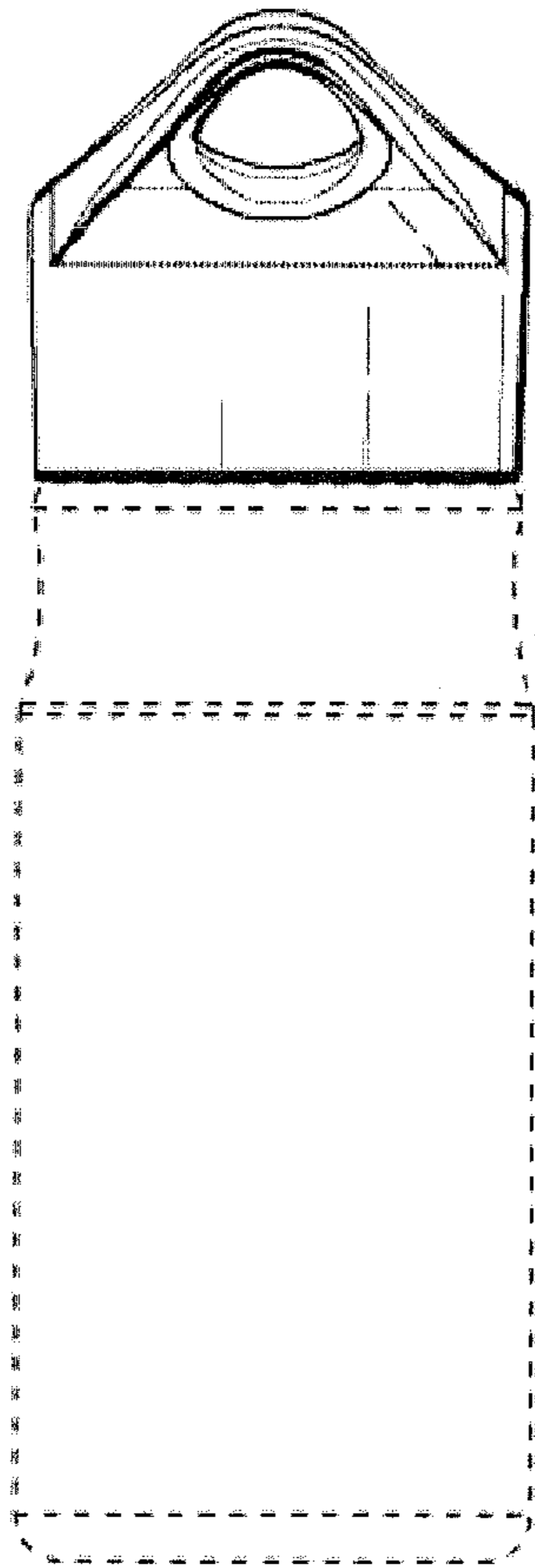


Fig. 6

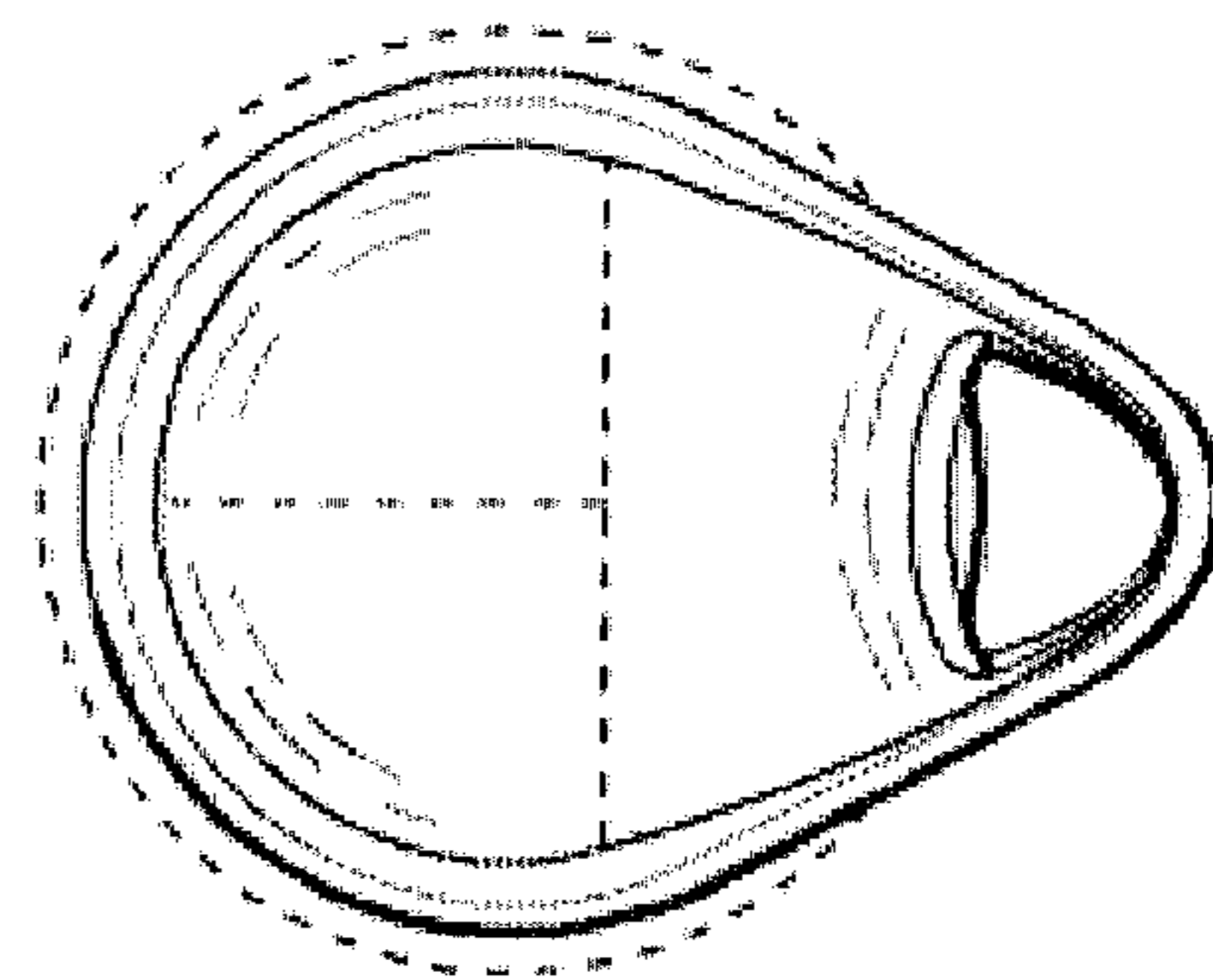


Fig. 7

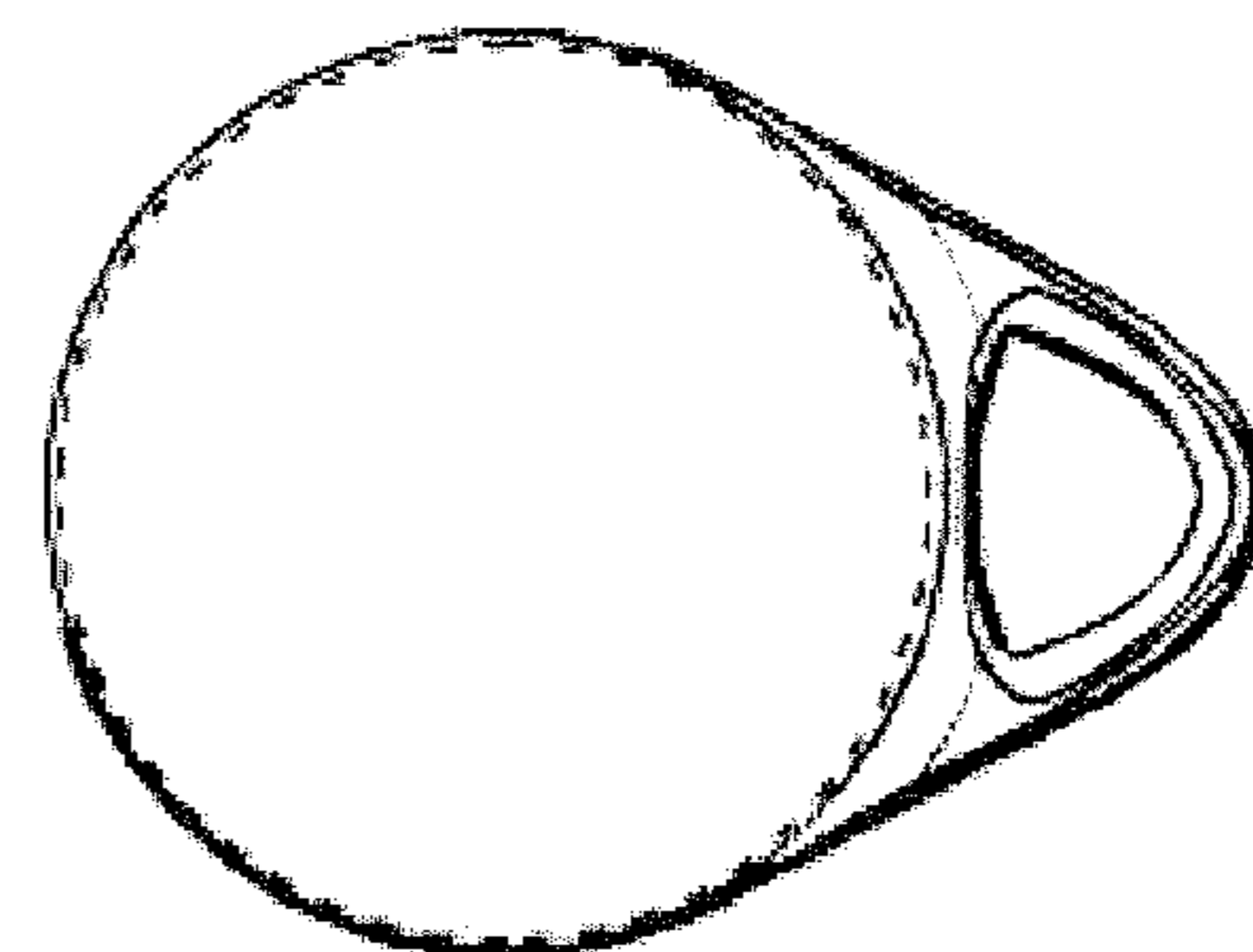


Fig. 8

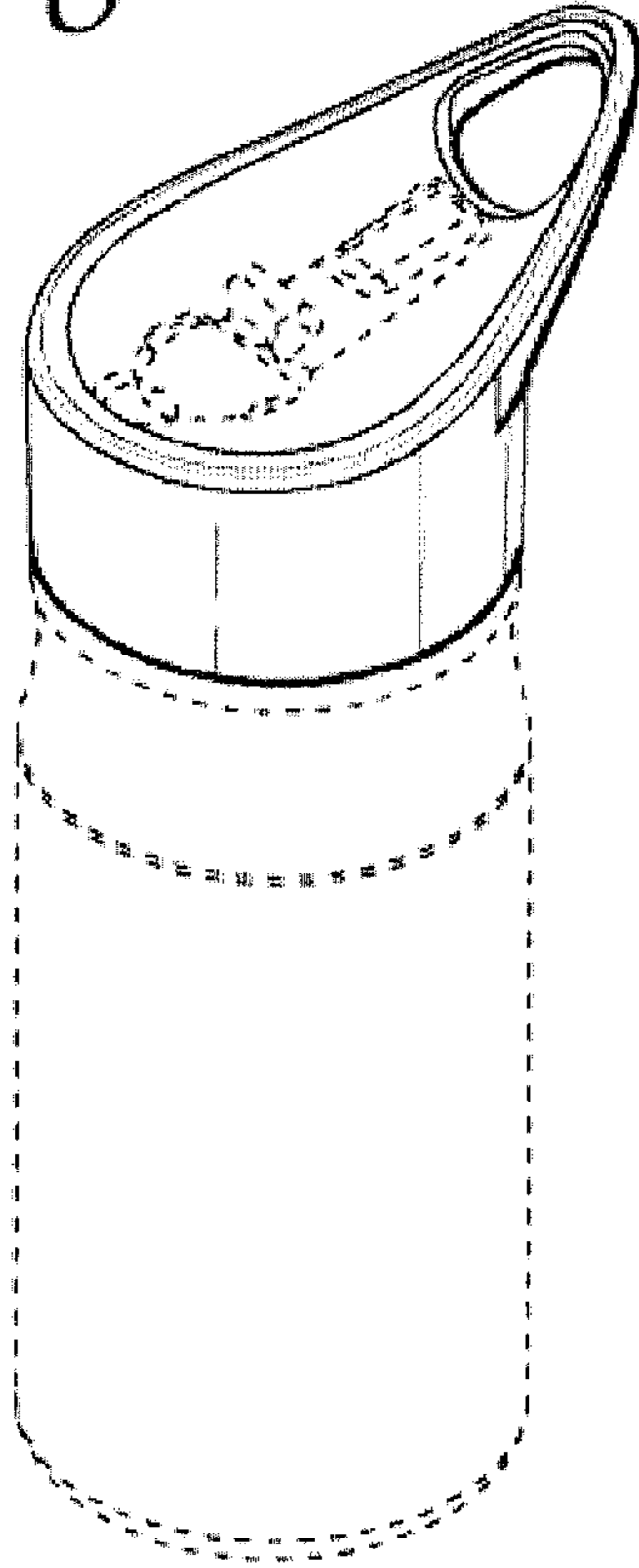


Fig. 9

