



US00D613098S

(12) **United States Design Patent**
Blomstrom

(10) **Patent No.:** **US D613,098 S**

(45) **Date of Patent:** **** Apr. 6, 2010**

(54) **LEG FOR A TABLE**

(75) Inventor: **John K. Blomstrom**, Green Bay, WI
(US)

(73) Assignee: **Krueger International, Inc.**, Green Bay,
WI (US)

(**) Term: **14 Years**

(21) Appl. No.: **29/338,417**

(22) Filed: **Jun. 11, 2009**

(51) **LOC (9) Cl.** **06-06**

(52) **U.S. Cl.** **D6/499**

(58) **Field of Classification Search** D6/480-489,
D6/429-431, 495-499; 108/150, 152, 153.1,
108/157.1, 161; 248/188, 188.1, 188.7, 188.8
See application file for complete search history.

(56) **References Cited**

U.S. PATENT DOCUMENTS

D197,776 S *	3/1964	Ritts	D6/480
D210,734 S *	4/1968	Henrikson et al.	D6/428
D401,788 S *	12/1998	Hellwig et al.	D6/480
D469,981 S *	2/2003	Buono	D6/429
D487,855 S *	3/2004	Nye et al.	D6/499
D550,987 S *	9/2007	Brevda et al.	D6/495
D569,662 S *	5/2008	Simonsen	D6/495
D572,505 S *	7/2008	Davis	D6/487

* cited by examiner

Primary Examiner—Janice E Seeger

(74) *Attorney, Agent, or Firm*—Andrus, Scales, Starke &
Sawall, LLP

(57) **CLAIM**

The ornamental design for a leg for a table, as shown and
described.

DESCRIPTION

FIG. 1 is a perspective view of a leg design for a table, wherein
the portions in broken lines illustrate environment and form
no part of the claimed design;

FIG. 2 is a front elevation view thereof;

FIG. 3 is a rear elevation view thereof;

FIG. 4 is a right side elevation view thereof;

FIG. 5 is a left side elevation view thereof;

FIG. 6 is a bottom plan view thereof;

FIG. 7 is a top plan view thereof;

FIG. 8 is a perspective view of another embodiment of a leg
design for a table, wherein the portions in broken lines illus-
trate environment and form no part of the claimed design;

FIG. 9 is a front elevation view thereof;

FIG. 10 is a rear elevation view thereof;

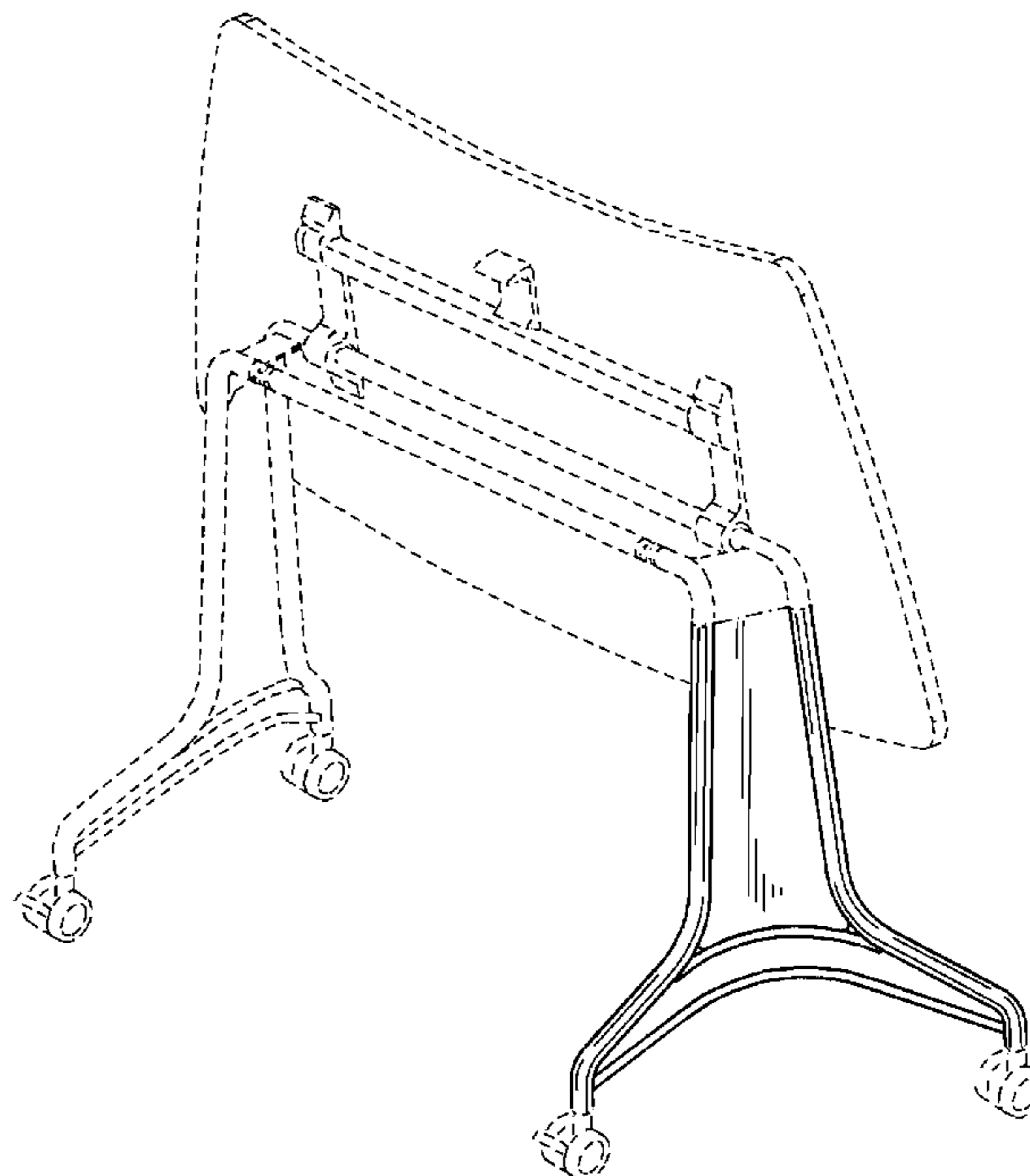
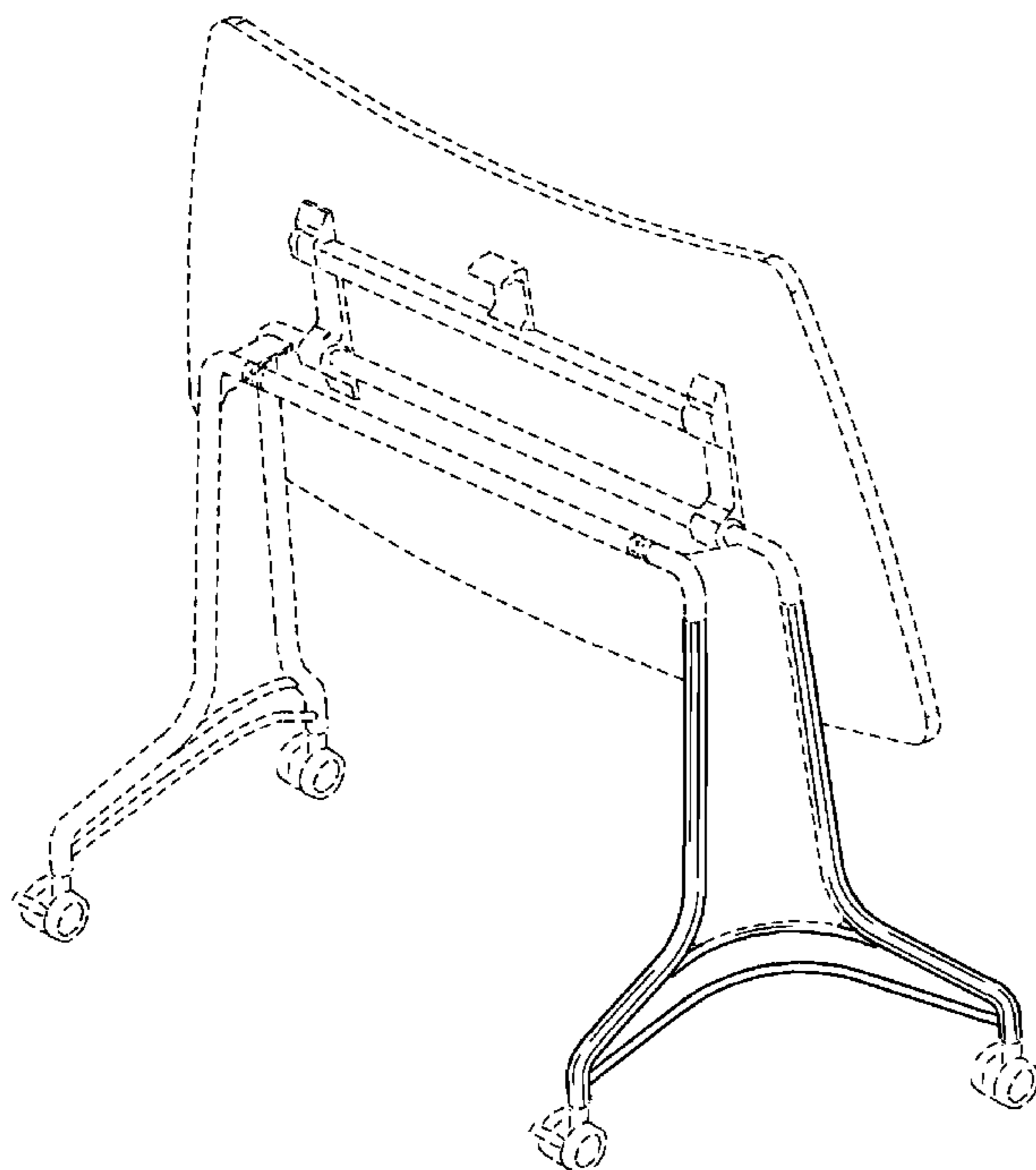
FIG. 11 is a right side elevation view thereof;

FIG. 12 is a left side elevation view thereof;

FIG. 13 is a bottom plan view thereof; and,

FIG. 14 is a top plan view thereof.

1 Claim, 12 Drawing Sheets



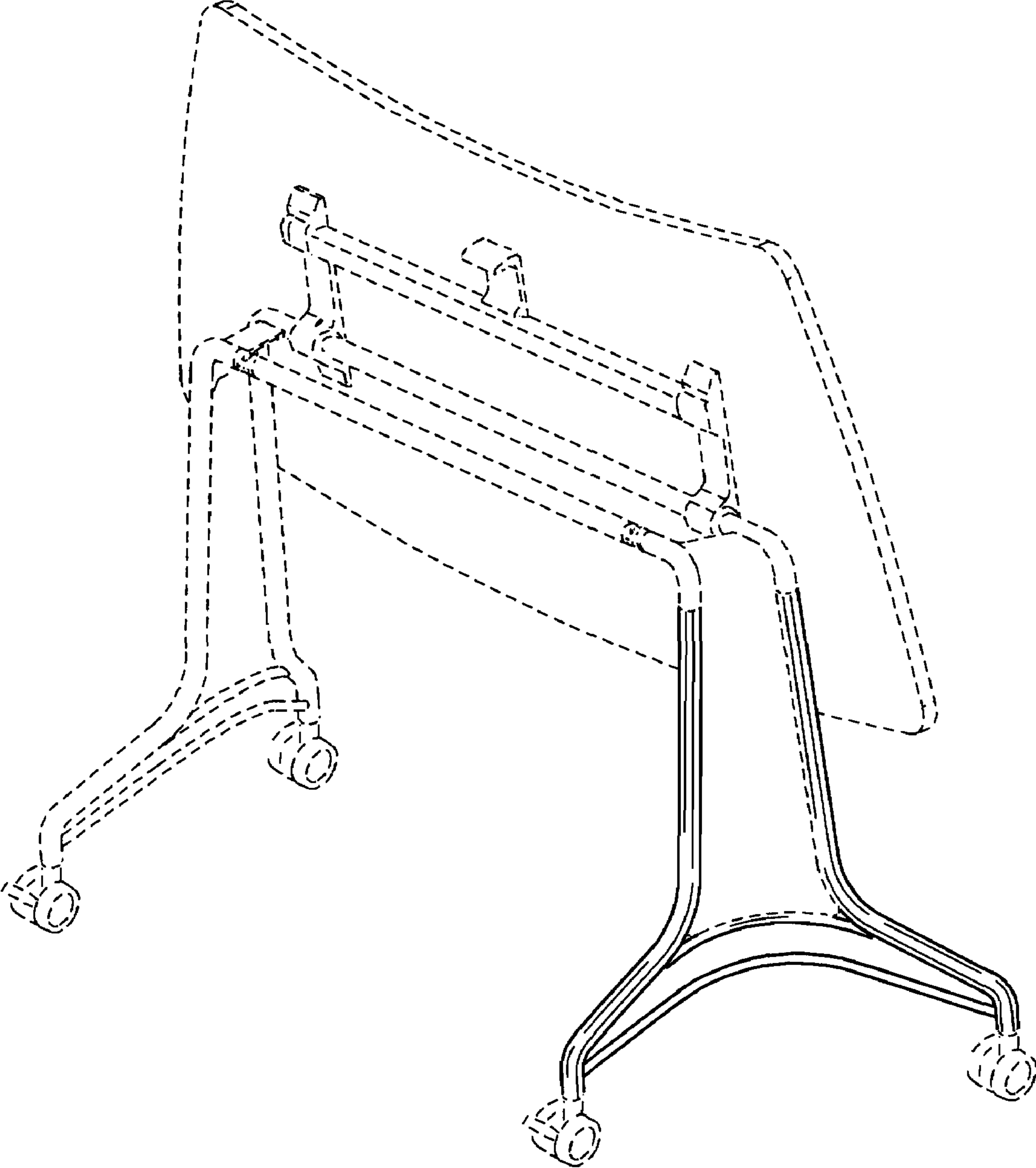


FIG. 1

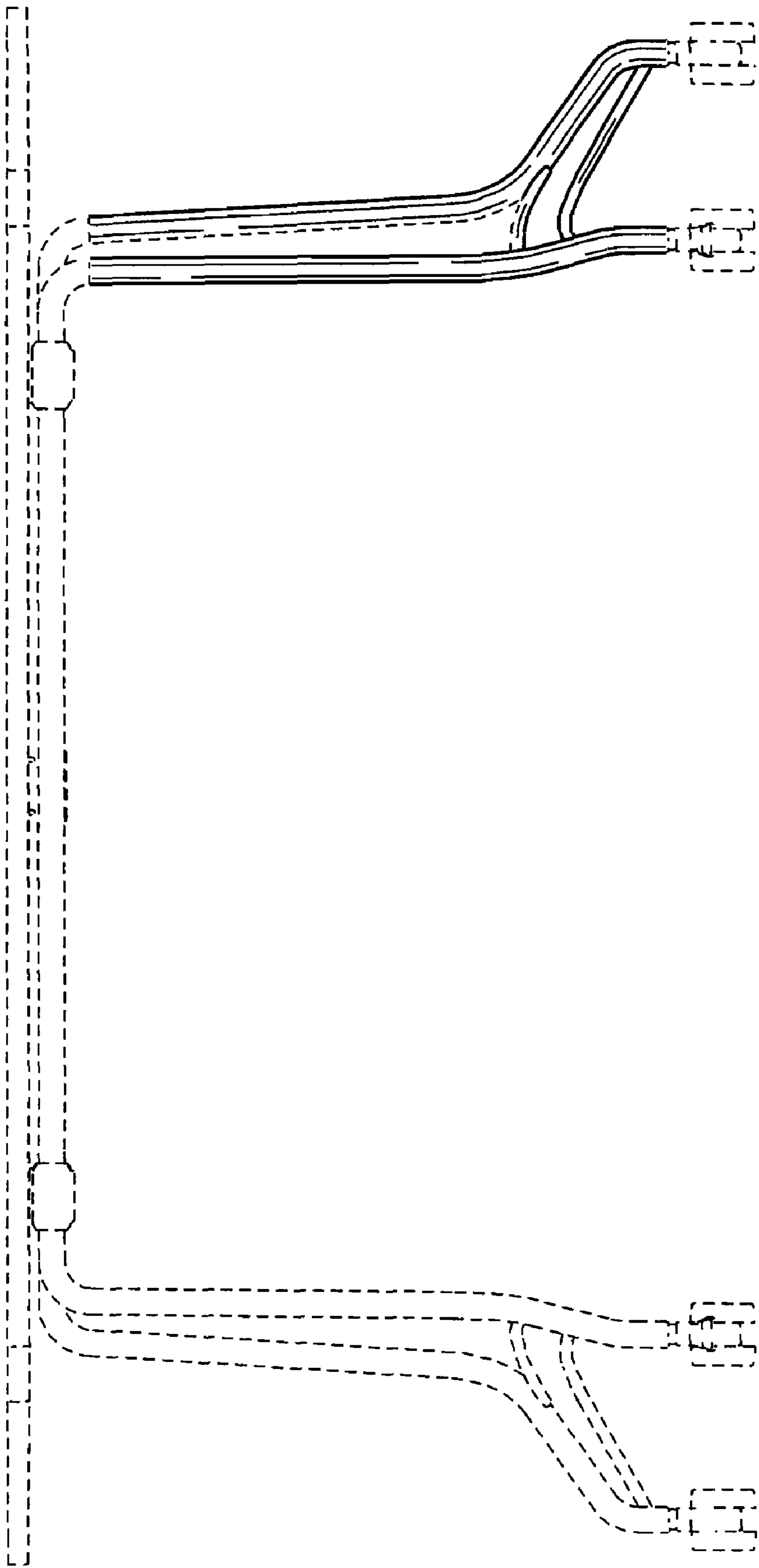


FIG. 2

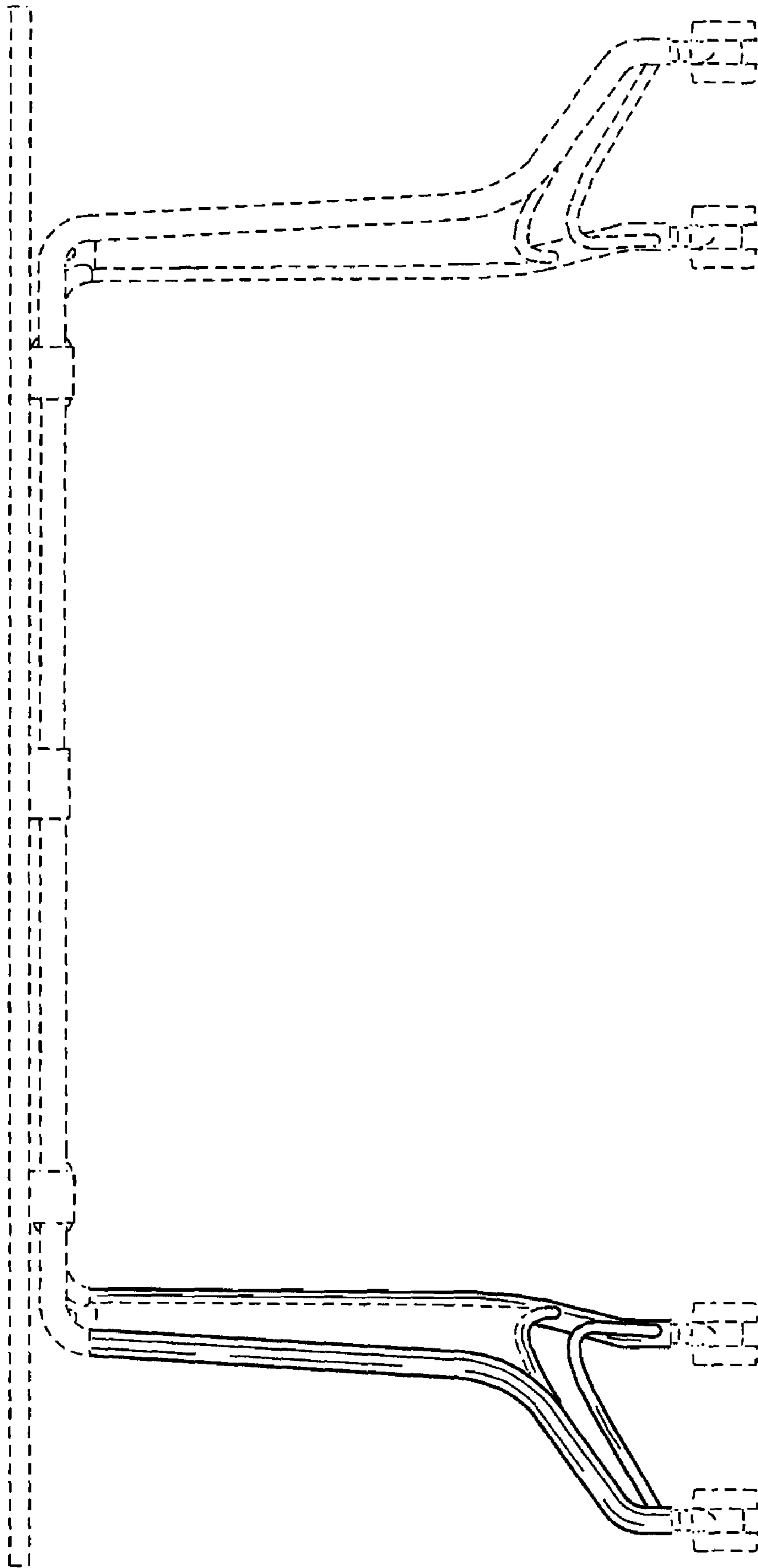


FIG. 3

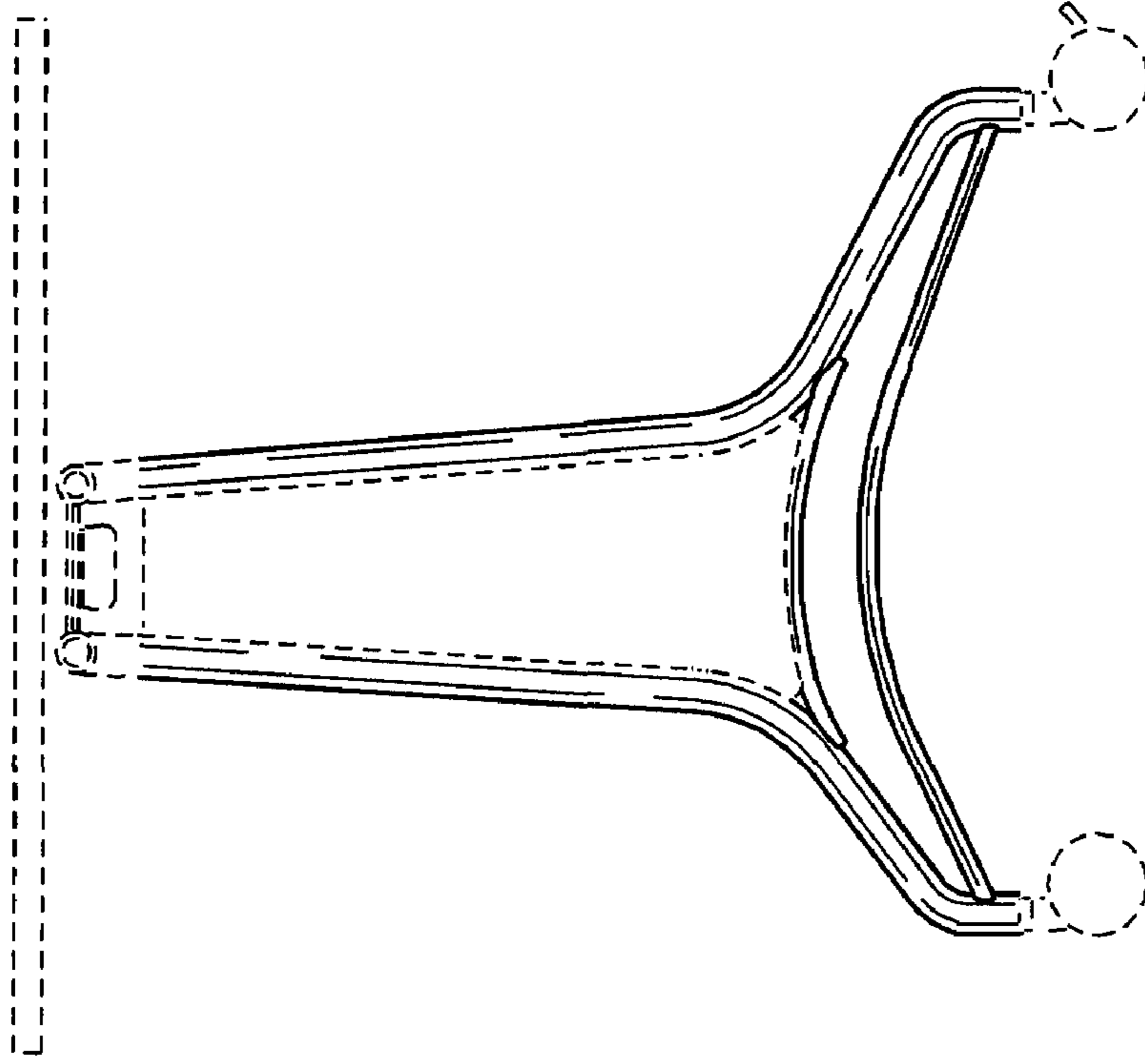


FIG. 5

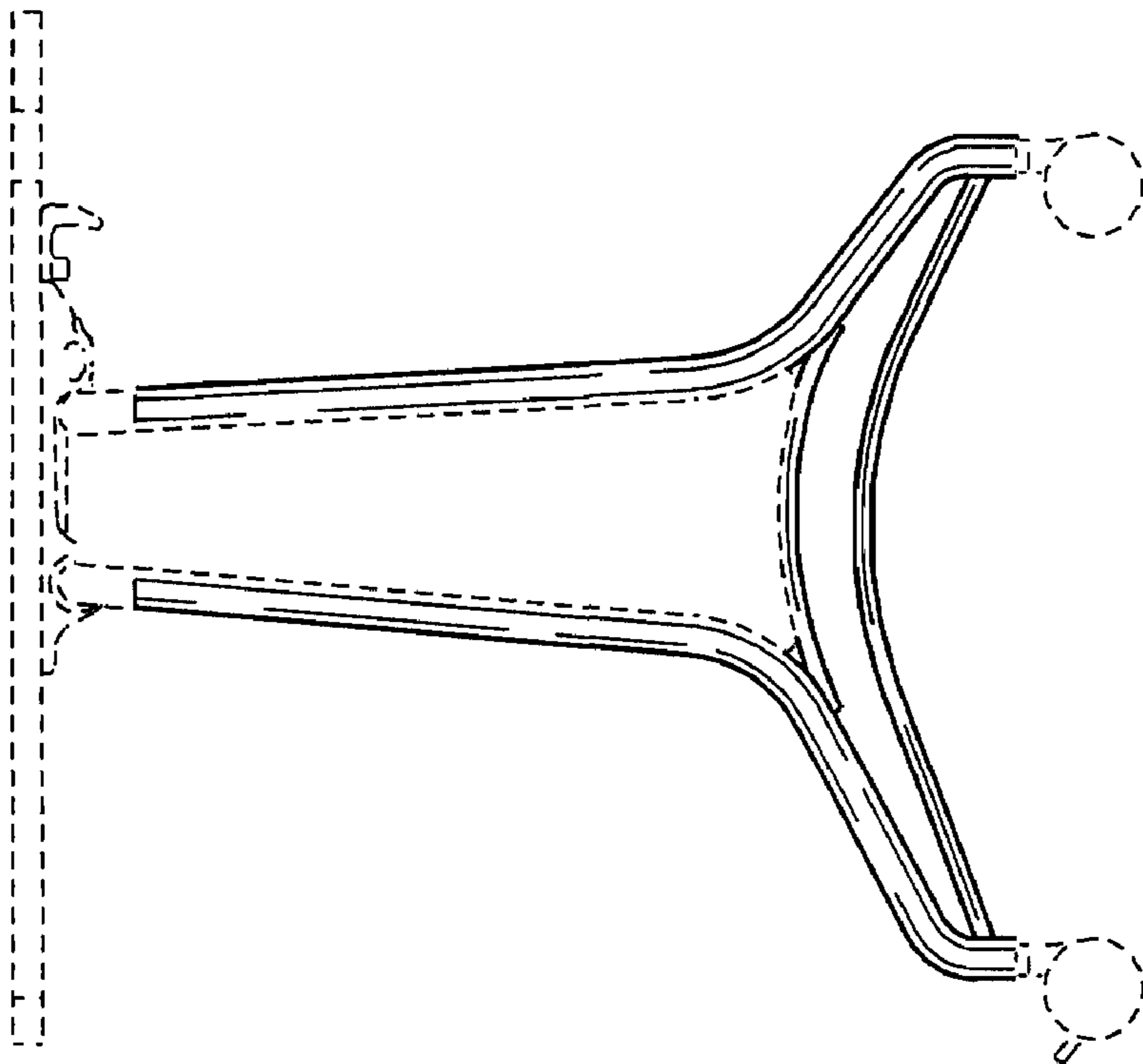


FIG. 4

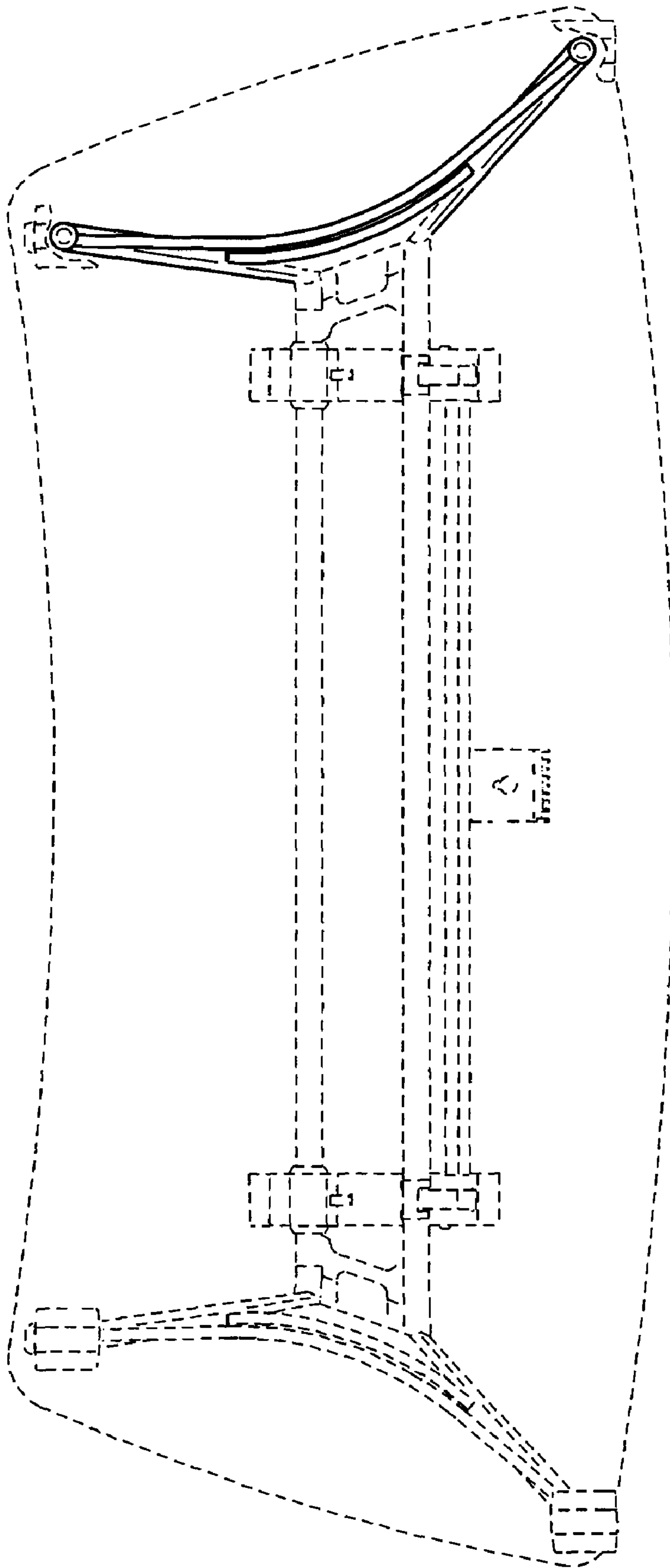


FIG. 6

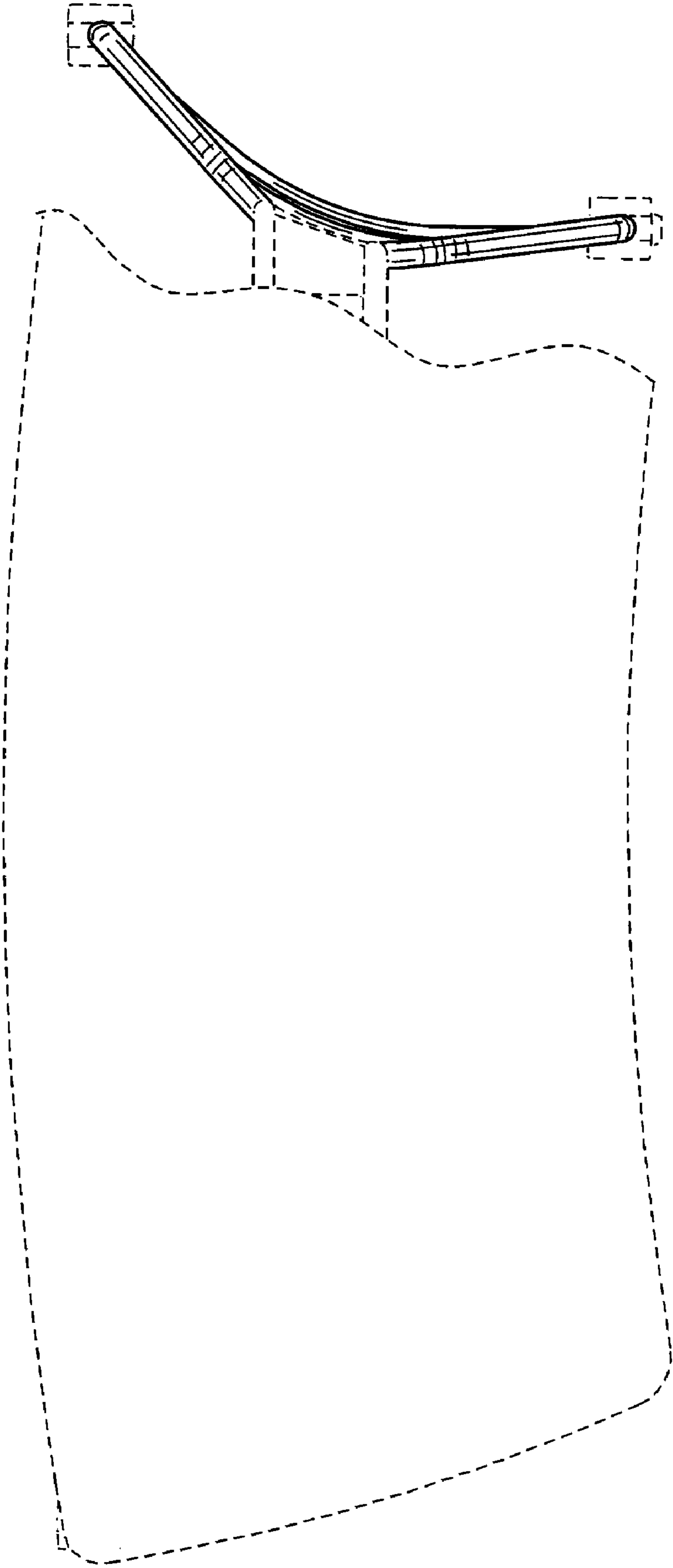


FIG. 7

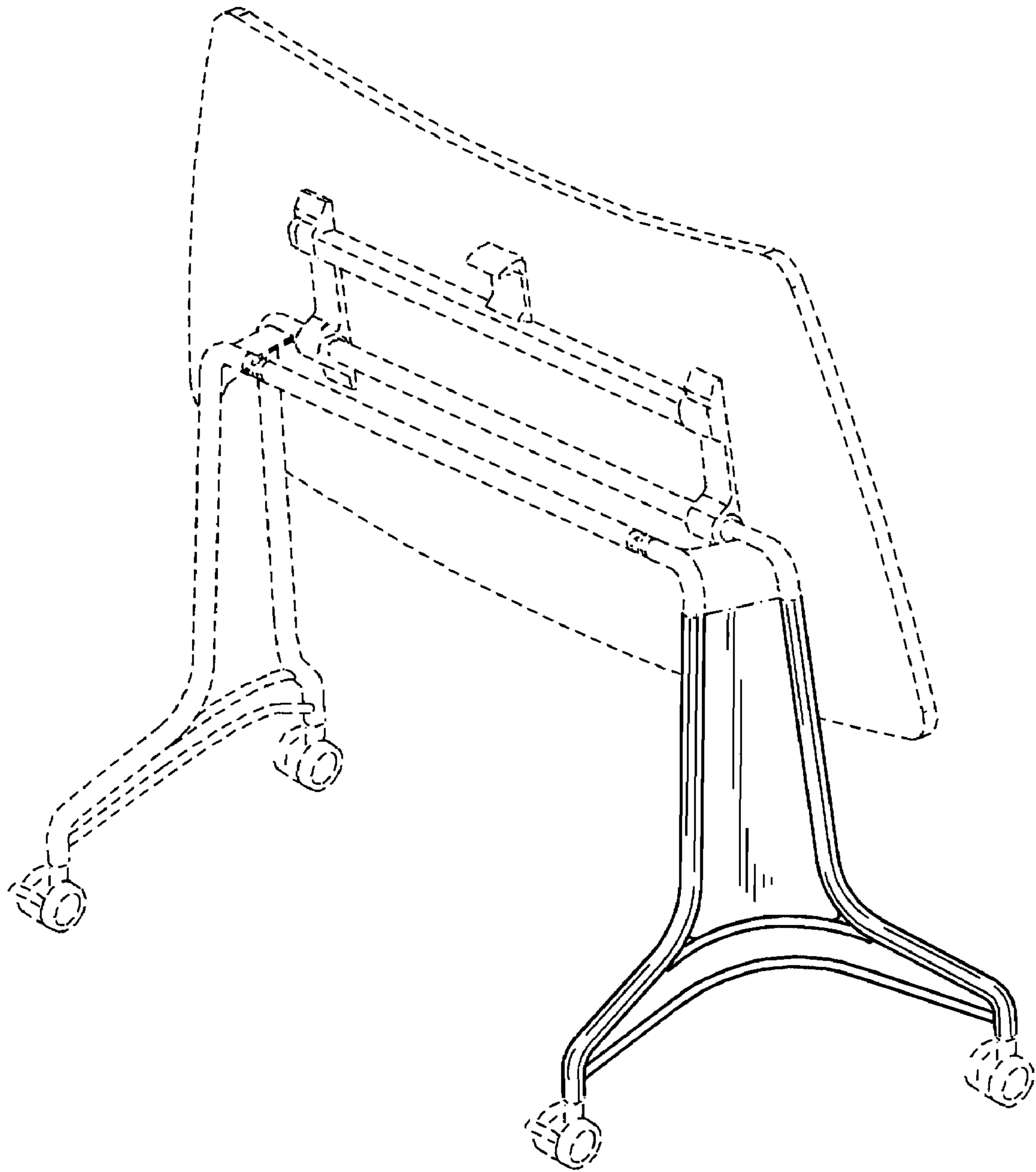


FIG. 8



FIG. 9



FIG. 10

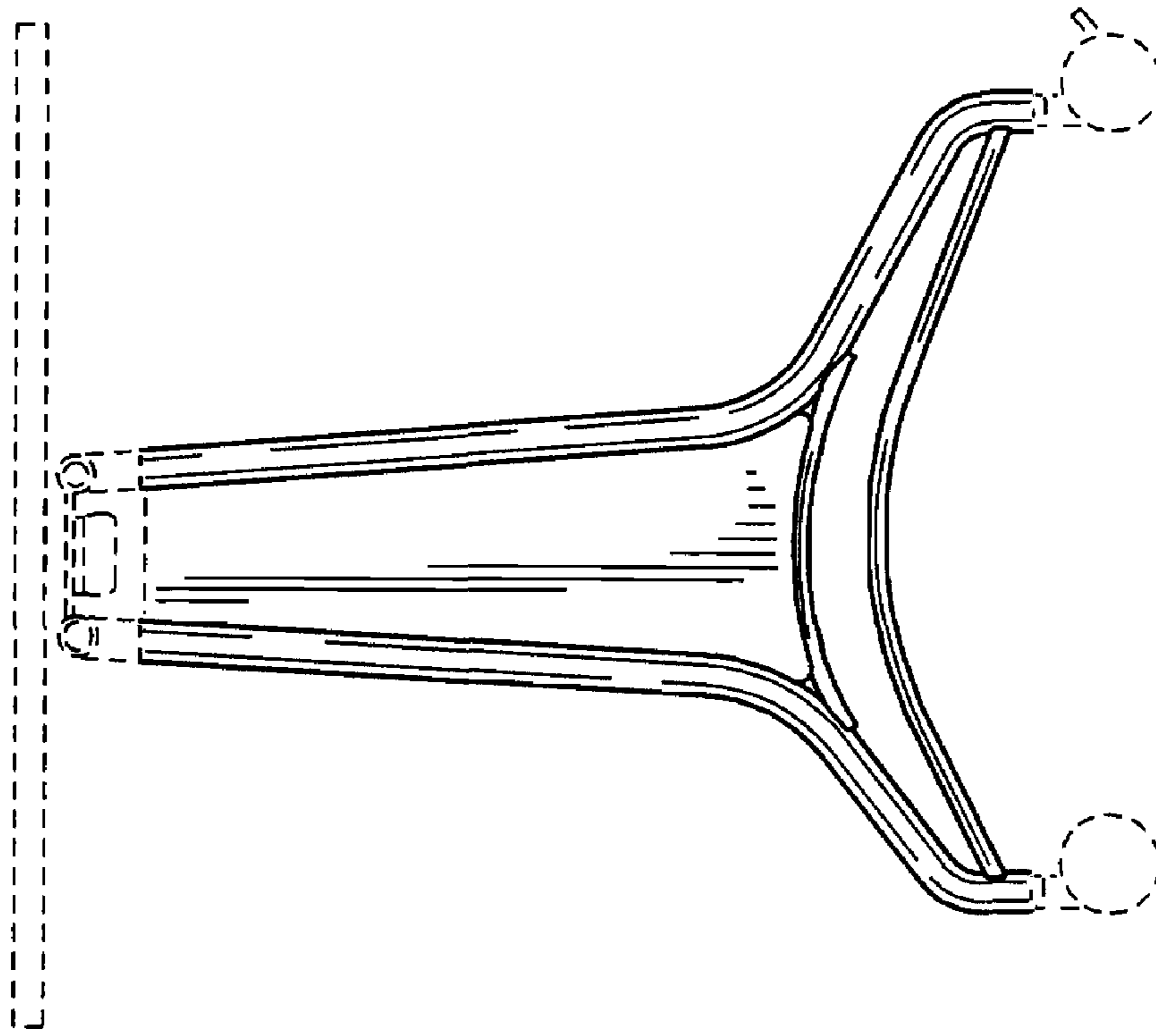


FIG. 11

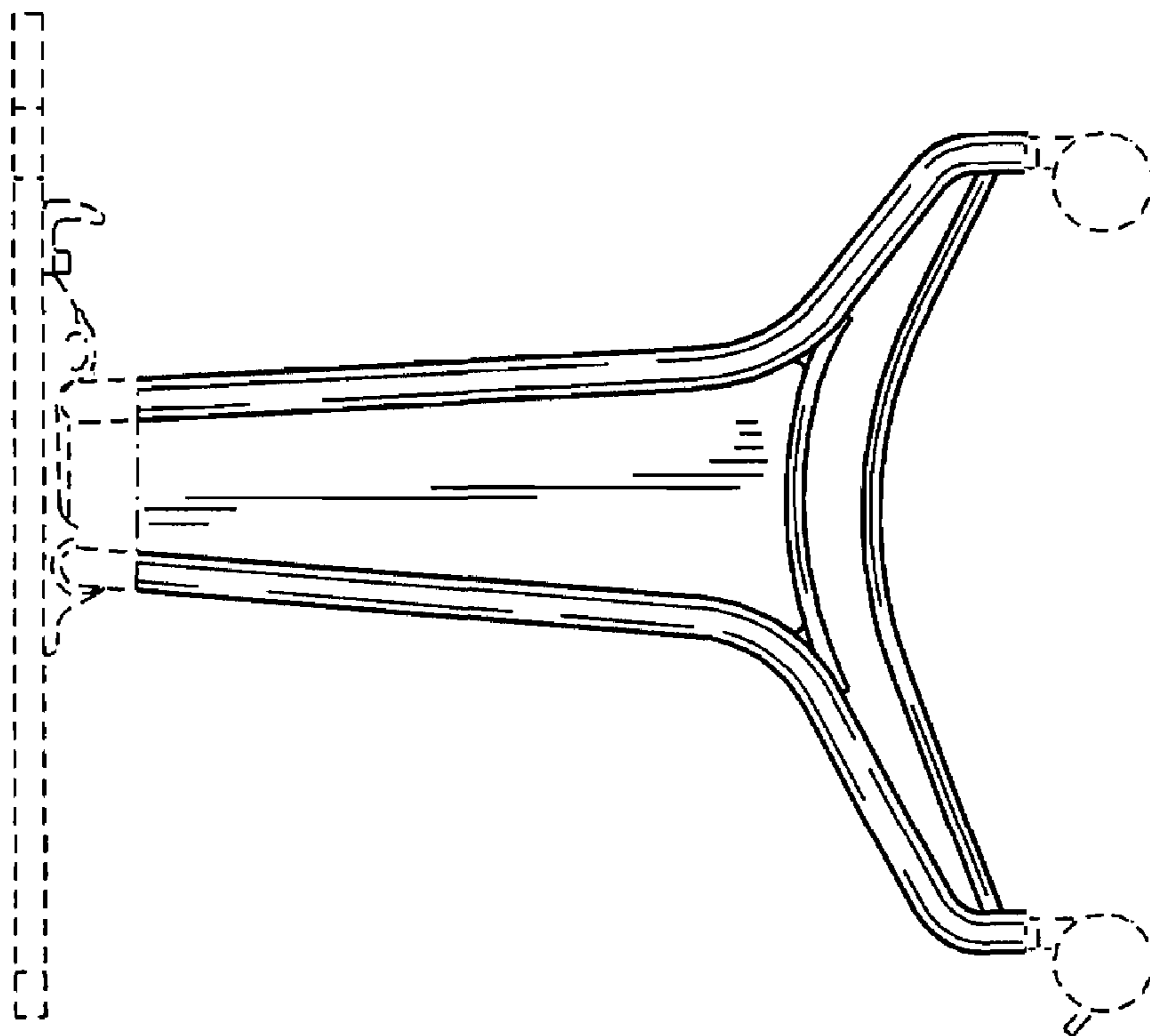


FIG. 12

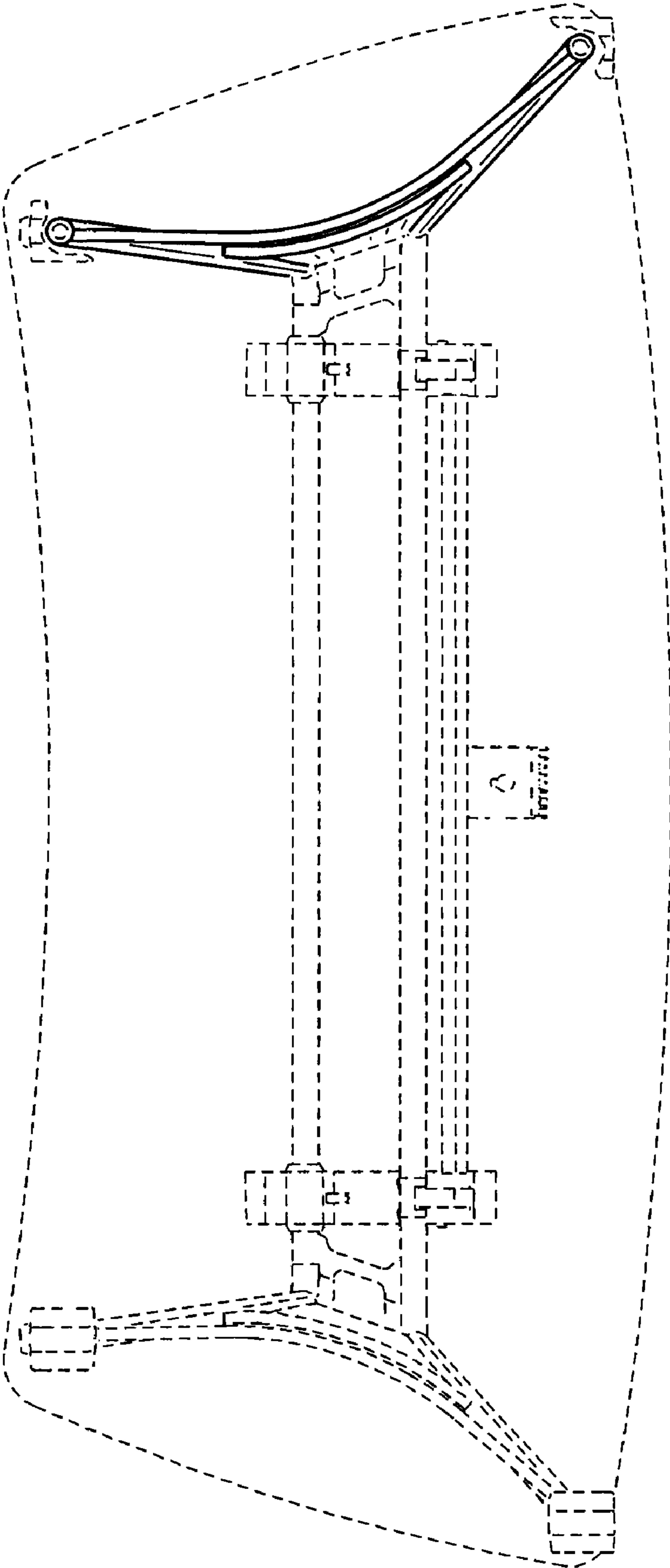


FIG. 13

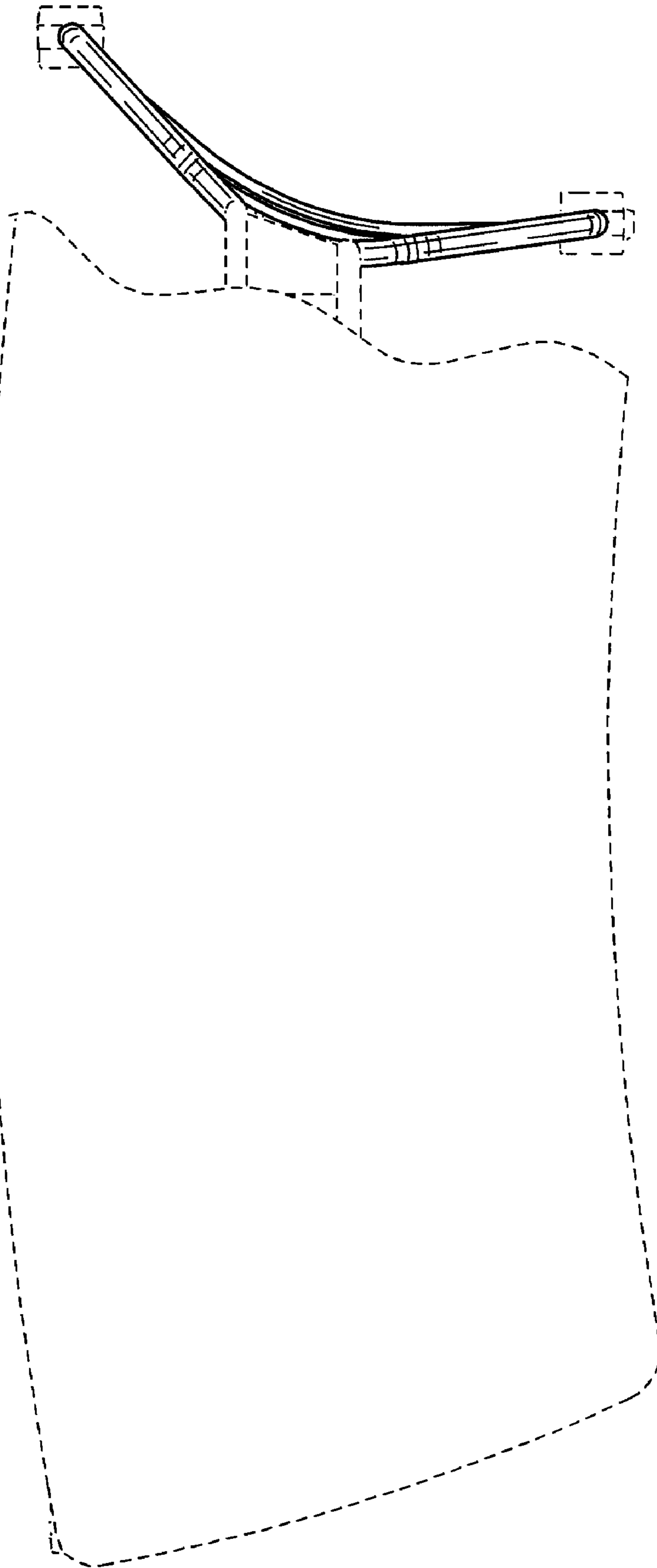


FIG. 14