



US00D613097S

(12) **United States Design Patent**  
**Muller**

(10) **Patent No.:** **US D613,097 S**

(45) **Date of Patent:** **\*\* Apr. 6, 2010**

(54) **TABLE BASE**

(75) Inventor: **Carl A. Muller**, Huntington Beach, CA (US)

(73) Assignee: **Elite Manufacturing Corporation**, Santa Fe Springs, CA (US)

(\*\*) Term: **14 Years**

(21) Appl. No.: **29/341,646**

(22) Filed: **Aug. 10, 2009**

(51) **LOC (9) Cl.** ..... **06-03**

(52) **U.S. Cl.** ..... **D6/495; D6/482**

(58) **Field of Classification Search** ..... D6/480-489,  
D6/511, 495-499, 429-431; 108/150, 152,  
108/153.1, 157.1, 161; 248/188, 188.1, 188.7,  
248/188.8

See application file for complete search history.

(56) **References Cited**

**U.S. PATENT DOCUMENTS**

D227,313 S *	6/1973	Elsner	.....	D6/300
D333,230 S *	2/1993	Bareiss	.....	D6/495
D382,422 S	8/1997	Muller	.....	D6/477
D386,632 S *	11/1997	Robinson	.....	D6/480
D408,652 S	4/1999	Muller	.....	D6/436
D420,529 S	2/2000	Muller	.....	D6/437
D433,254 S	11/2000	Muller	.....	D6/482
D446,974 S	8/2001	Muller	.....	D6/480
D470,345 S	2/2003	Muller	.....	D6/482
D471,742 S	3/2003	Muller	.....	D6/488
D491,388 S	6/2004	Muller	.....	D6/482
D524,581 S *	7/2006	Warriner	.....	D6/495

**OTHER PUBLICATIONS**

Wave Tables, designed by Rick Lee, available from Elite Manufacturing Corporation, printout available online on Aug. 11, 2009, at

[http://www.elitemfgusa.com/pages/new\\_intros/modern/wavesqr.html](http://www.elitemfgusa.com/pages/new_intros/modern/wavesqr.html), 2-pages, 2008.

\* cited by examiner

*Primary Examiner*—Janice E Seeger

(74) *Attorney, Agent, or Firm*—Heslin Rothenberg Farley & Mesiti

(57) **CLAIM**

The ornamental design for a table base, as shown and described.

**DESCRIPTION**

FIG. 1 is an isometric view of a table base in accordance with the new design;

FIG. 2 is a front elevational view thereof;

FIG. 3 is a rear elevational view thereof;

FIG. 4 is a right side elevational view thereof;

FIG. 5 is a left side elevational view thereof;

FIG. 6 is a top view thereof;

FIG. 7 is an isometric view of an alternative embodiment of the table base in accordance with the new design;

FIG. 8 is a front elevational view thereof;

FIG. 9 is a rear elevational view thereof;

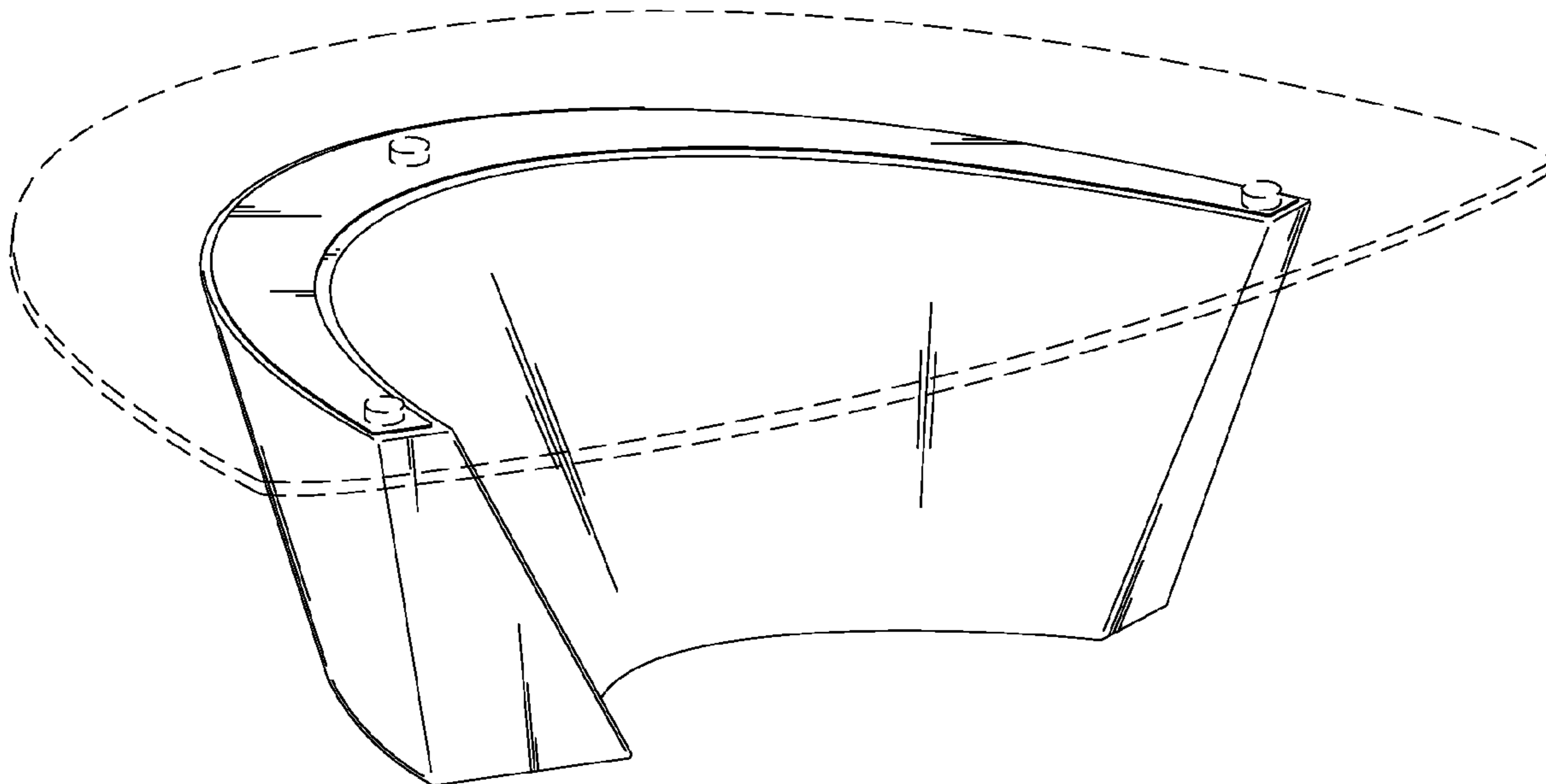
FIG. 10 is a right side elevational view thereof;

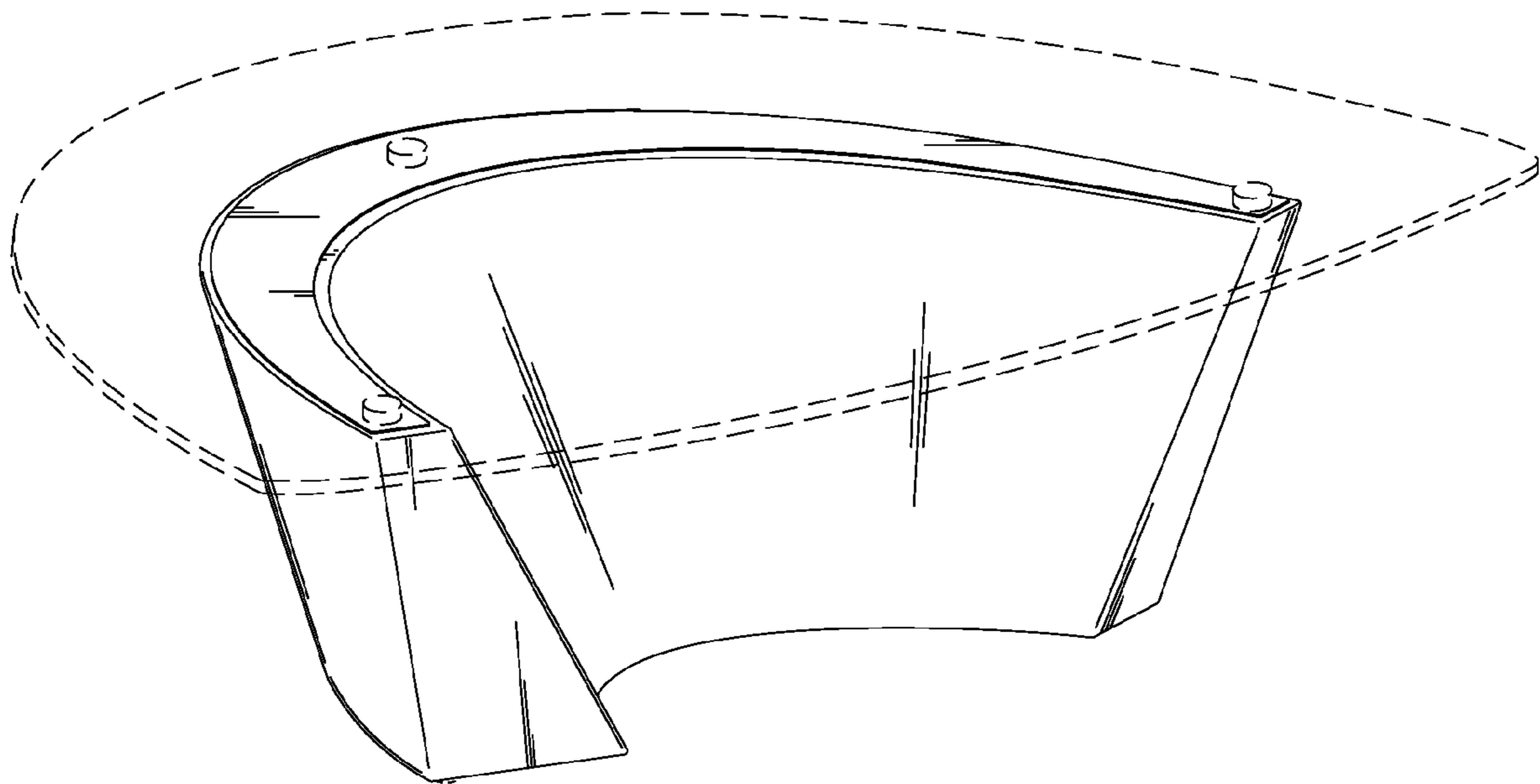
FIG. 11 is a left side elevational view thereof; and,

FIG. 12 is a top view thereof.

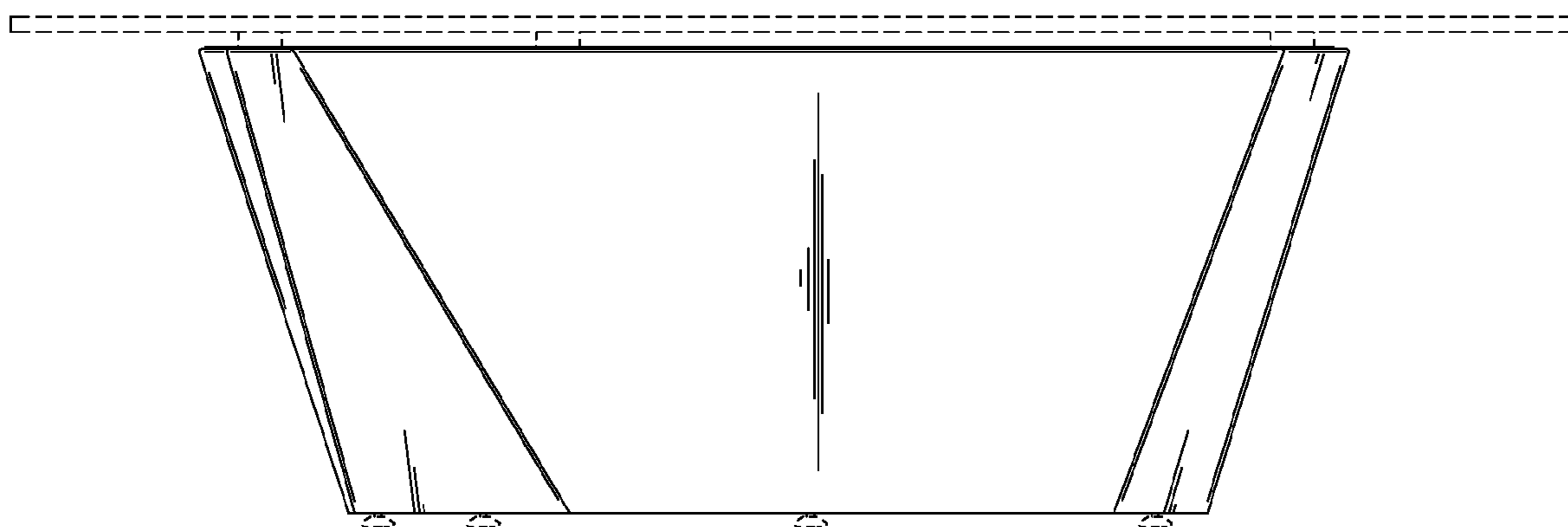
The broken lines in the figures are for illustrative purposes only and form no part of the claimed design.

**1 Claim, 12 Drawing Sheets**

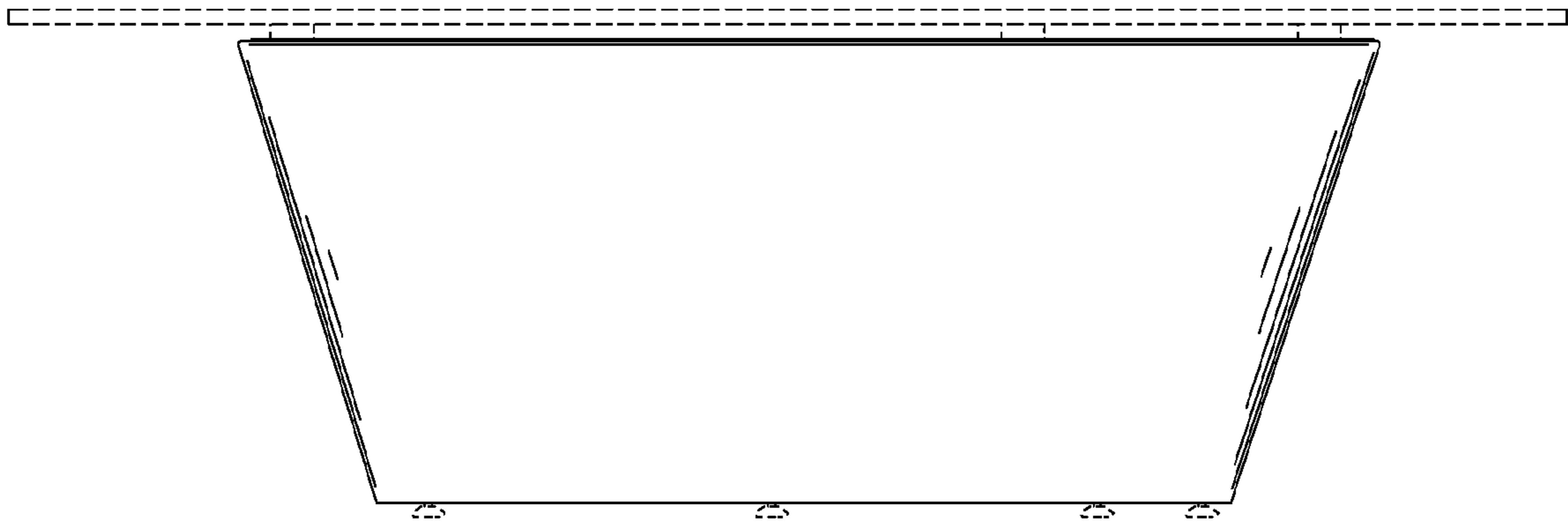




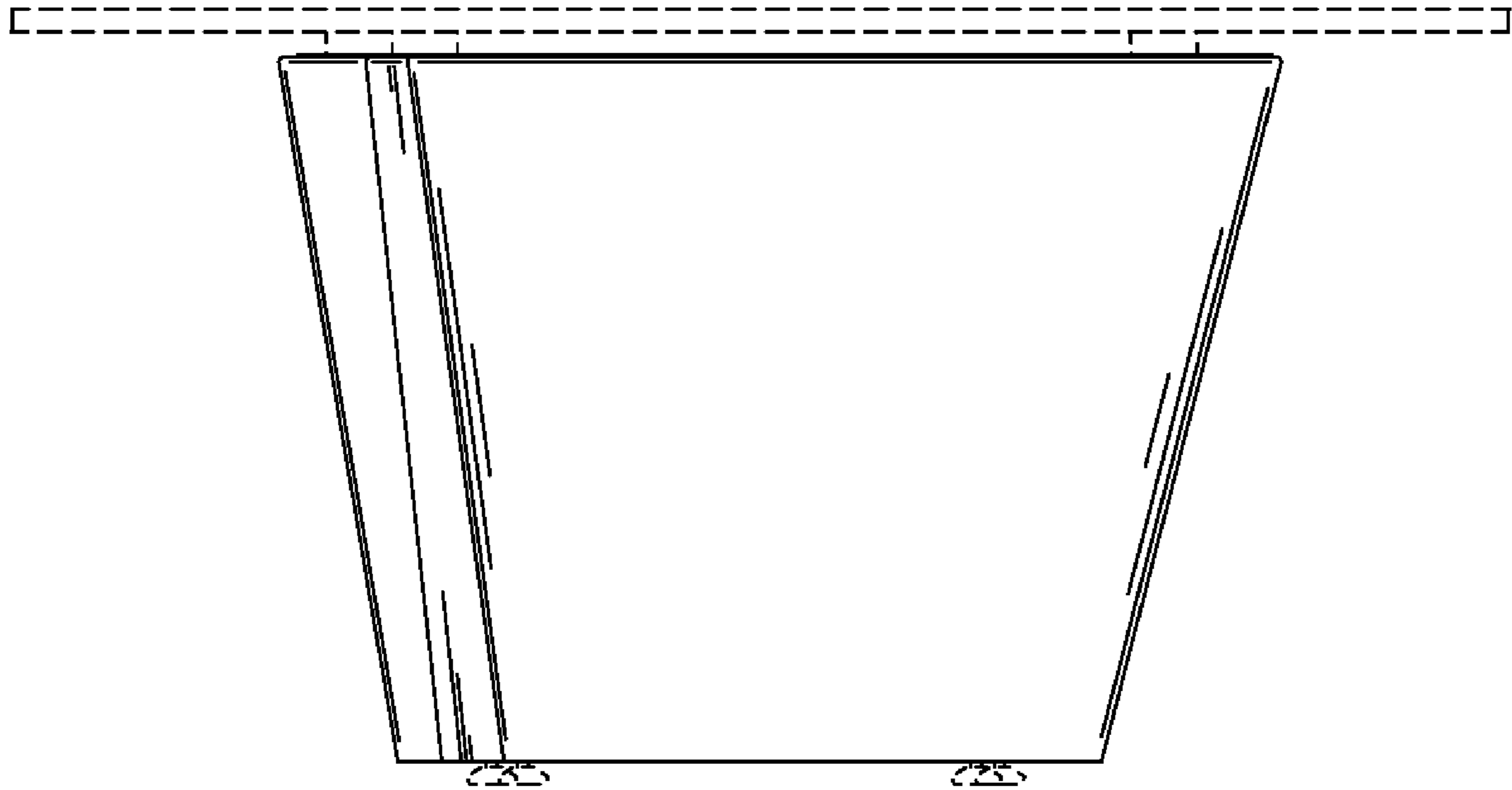
**FIG. 1**



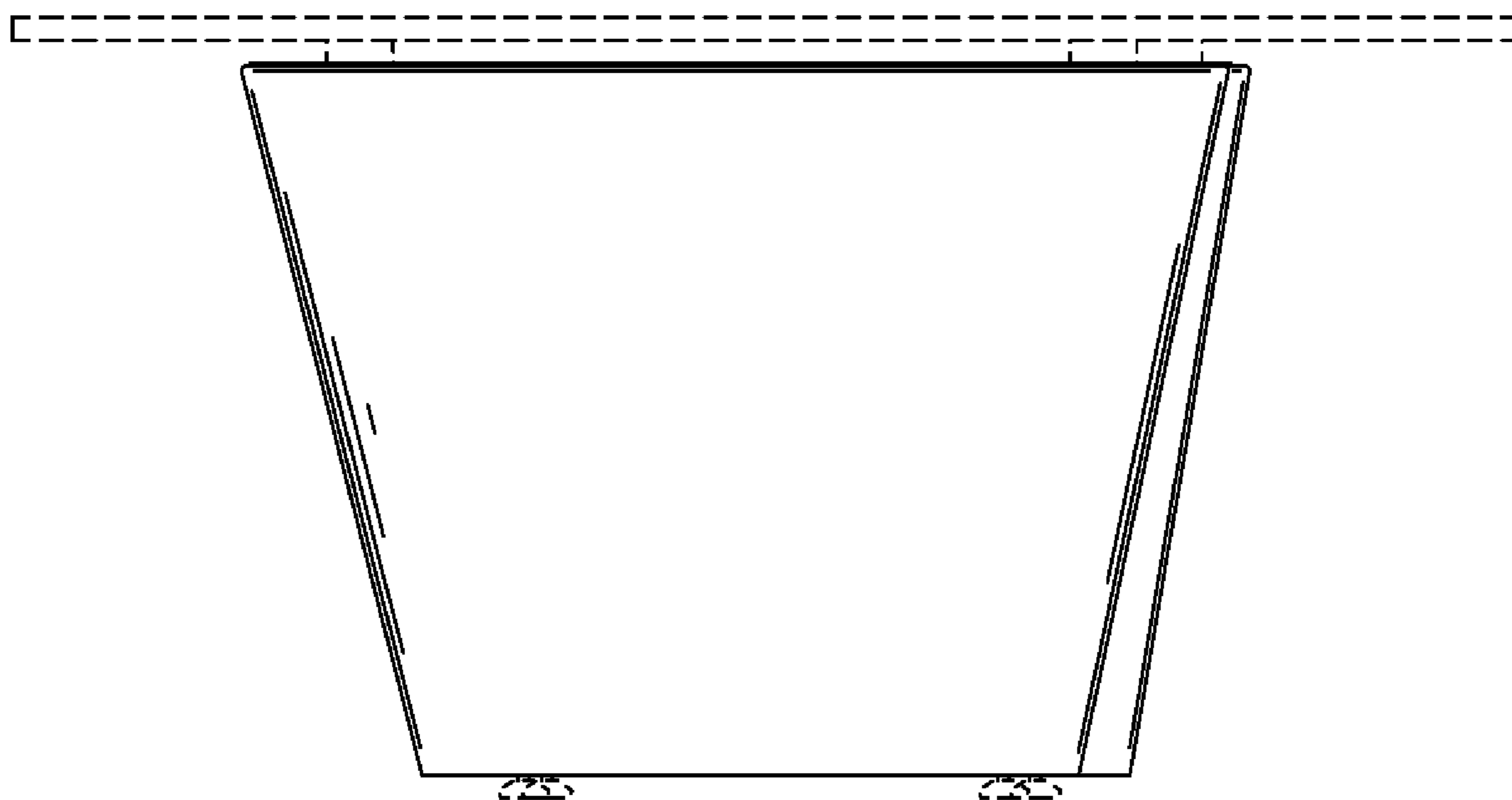
**FIG. 2**



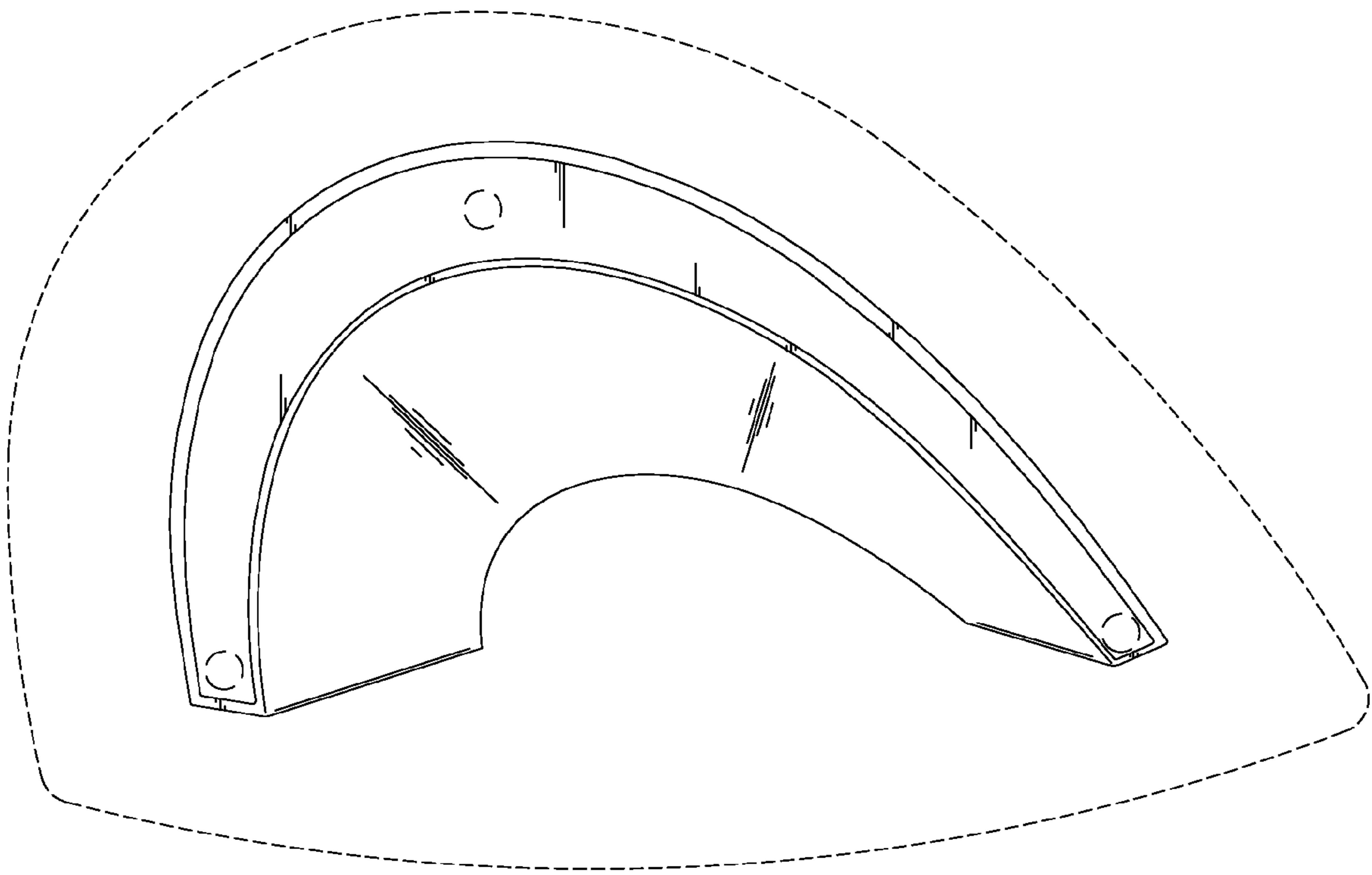
***FIG. 3***



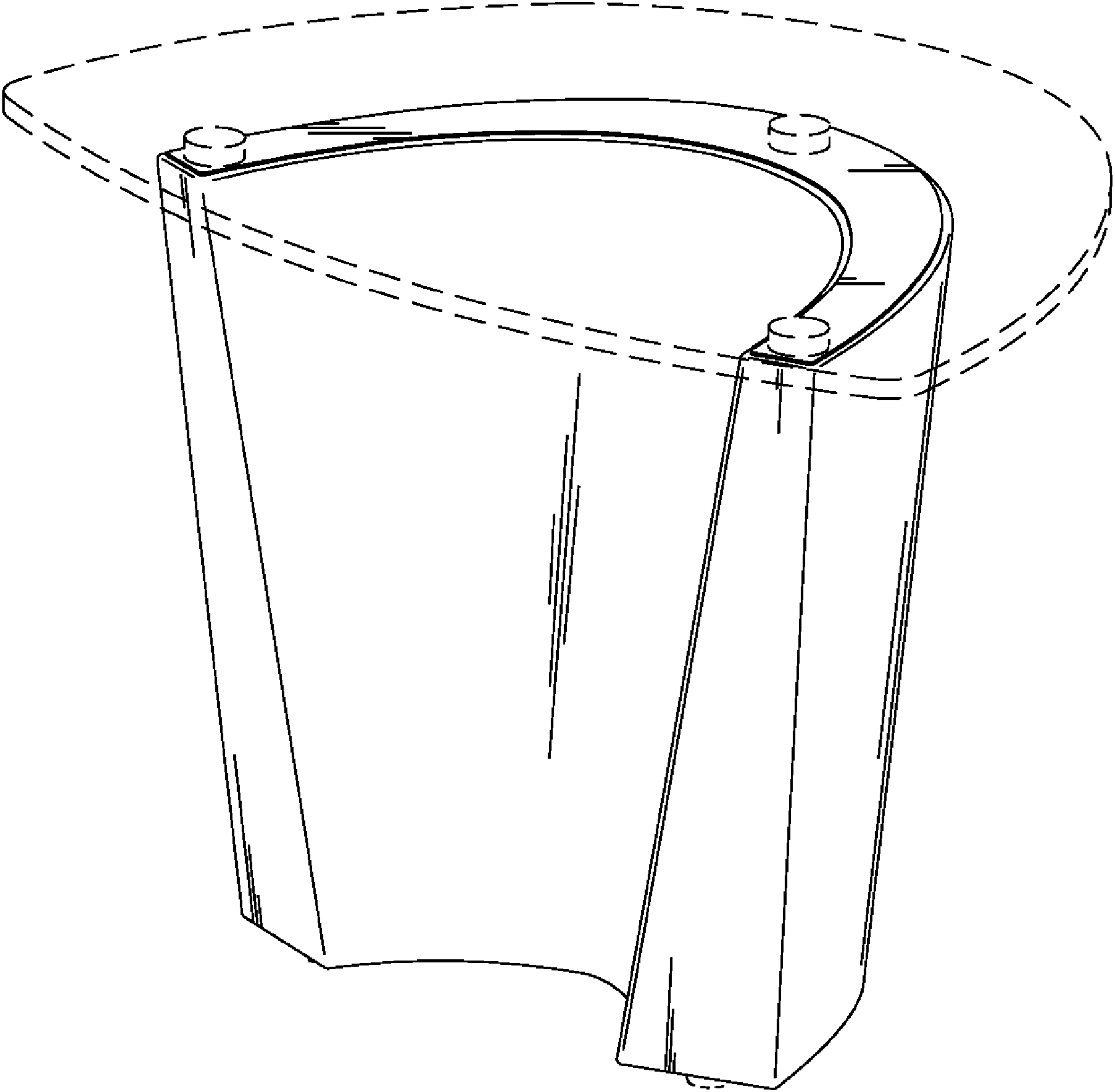
***FIG. 4***



***FIG. 5***

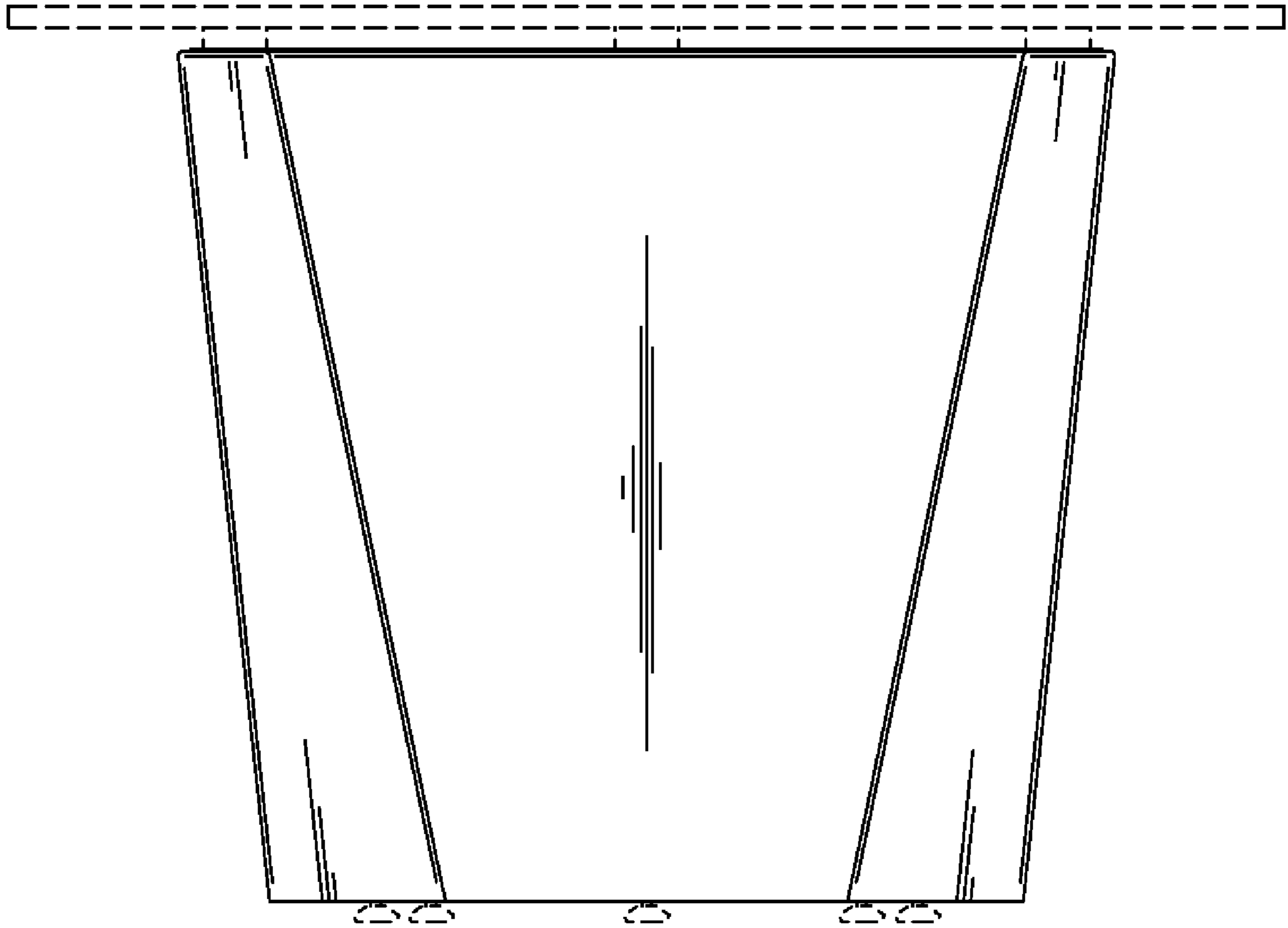


**FIG. 6**

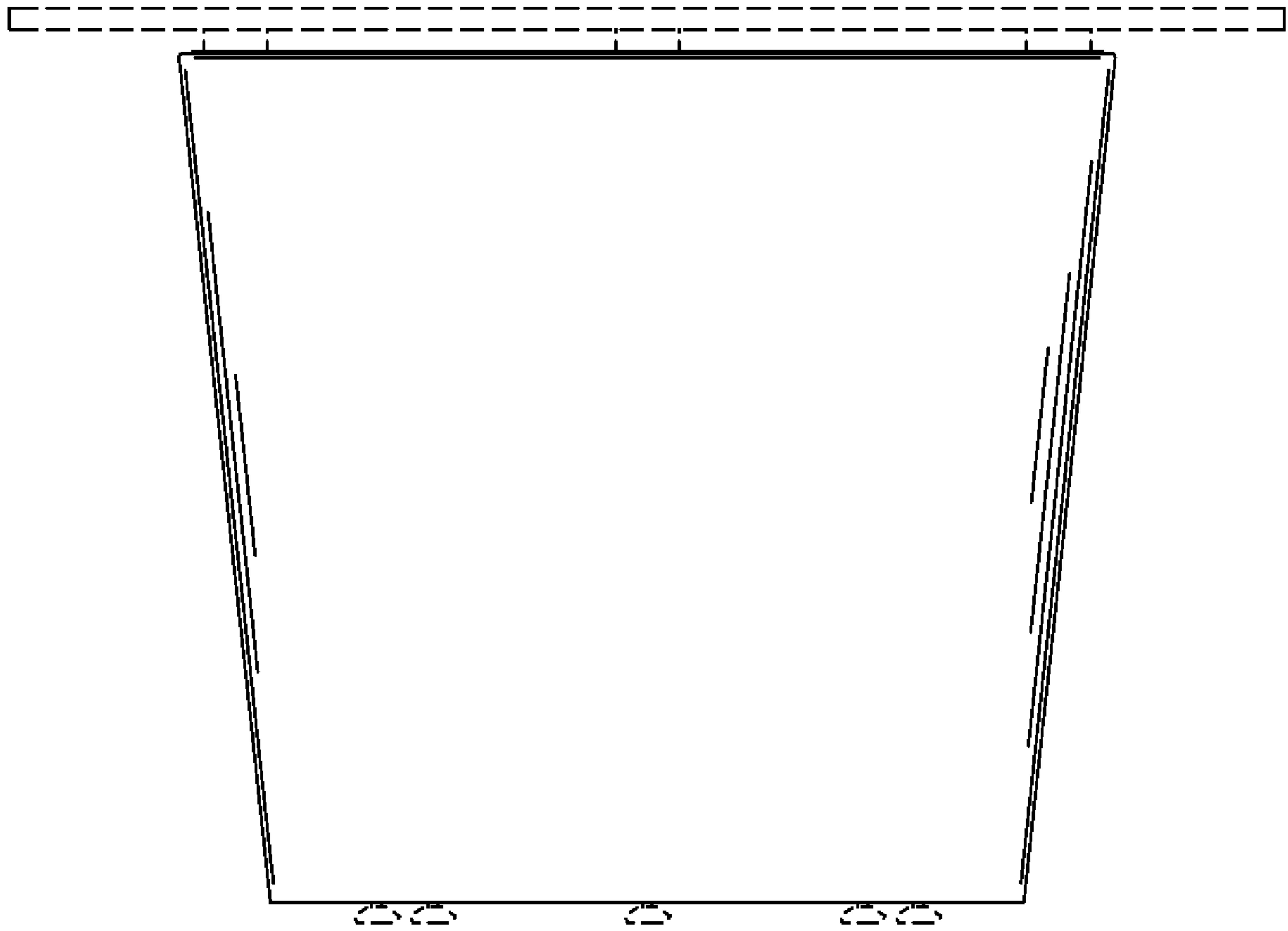


**FIG. 7**

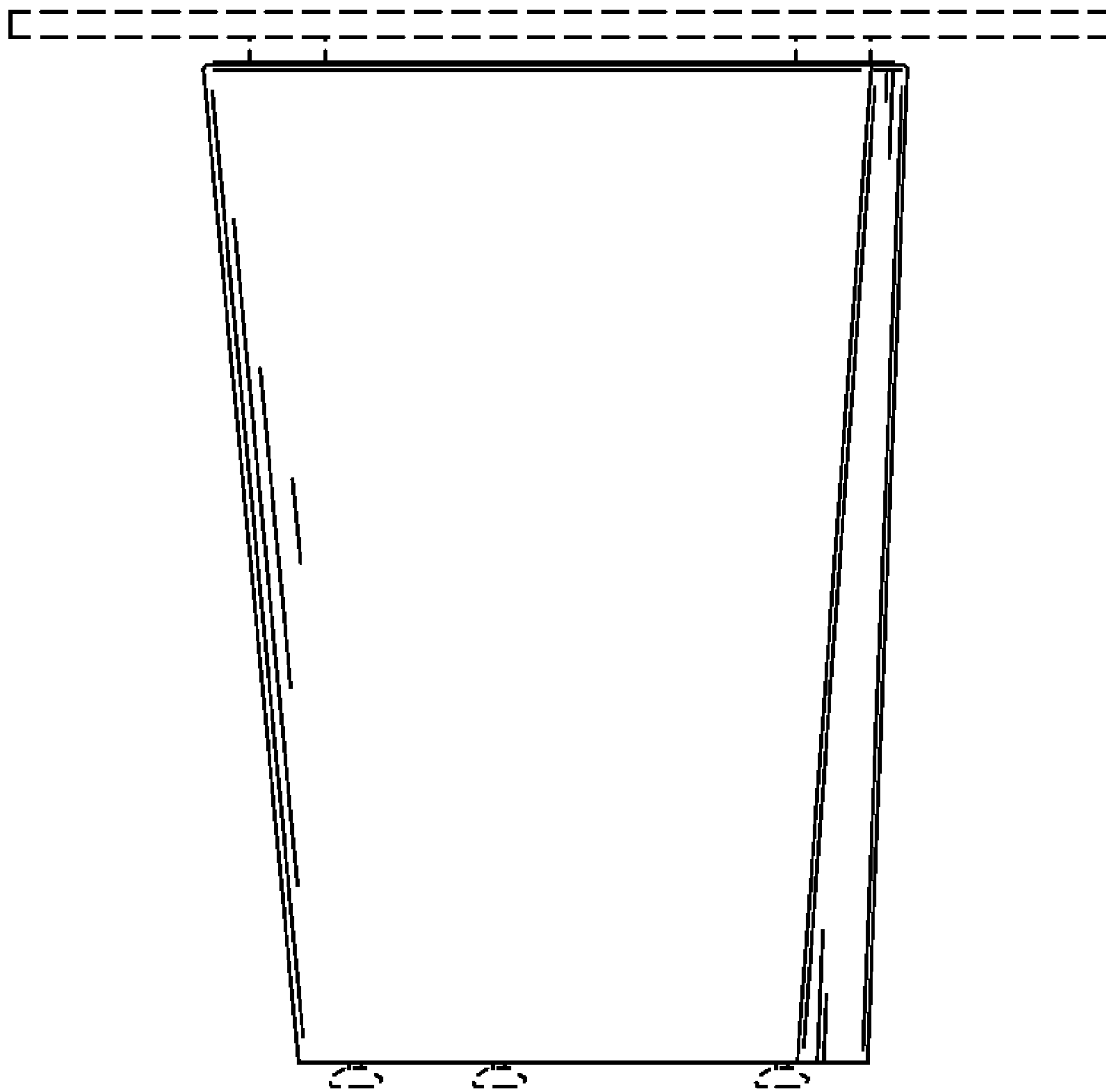




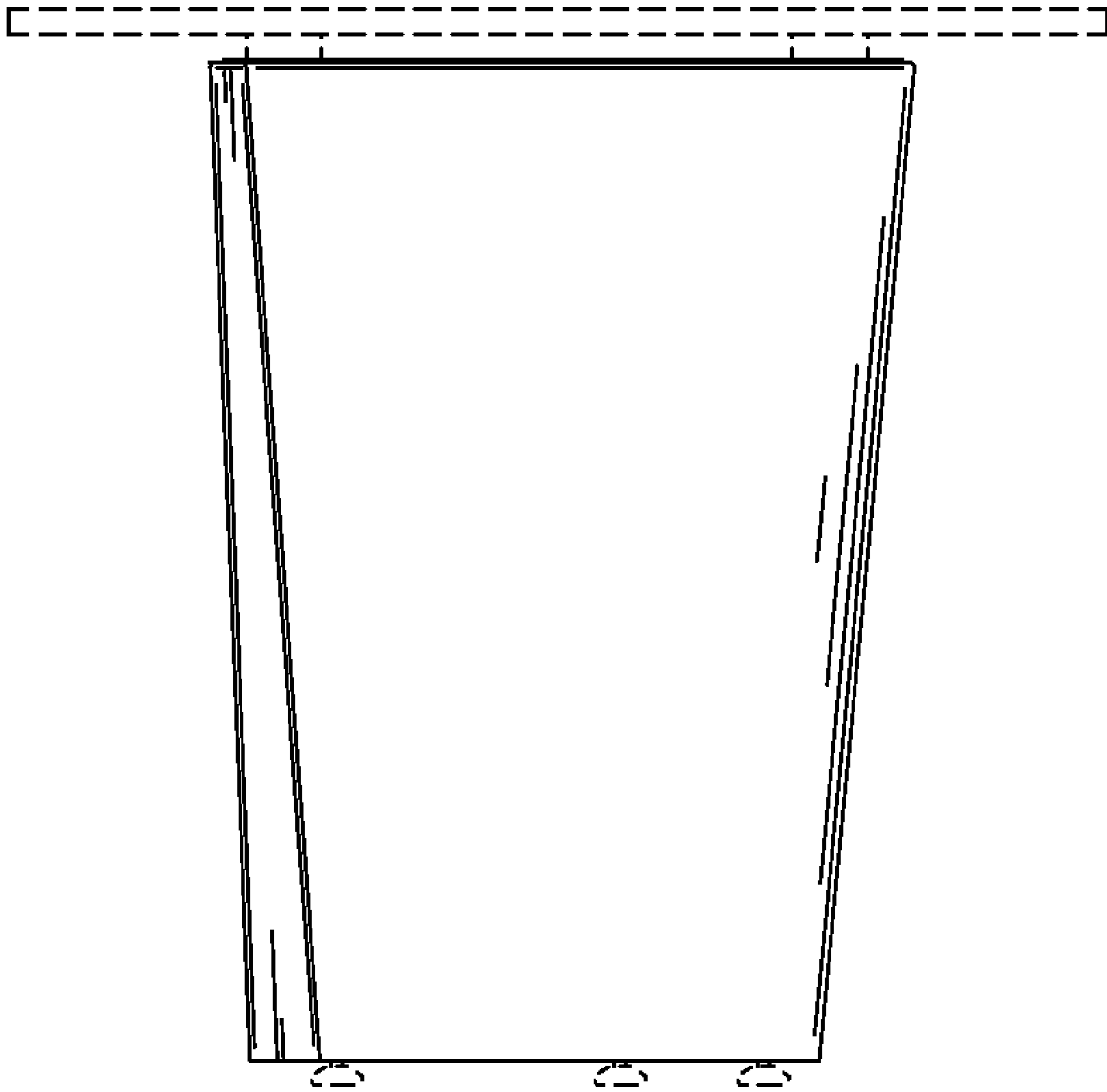
***FIG. 8***



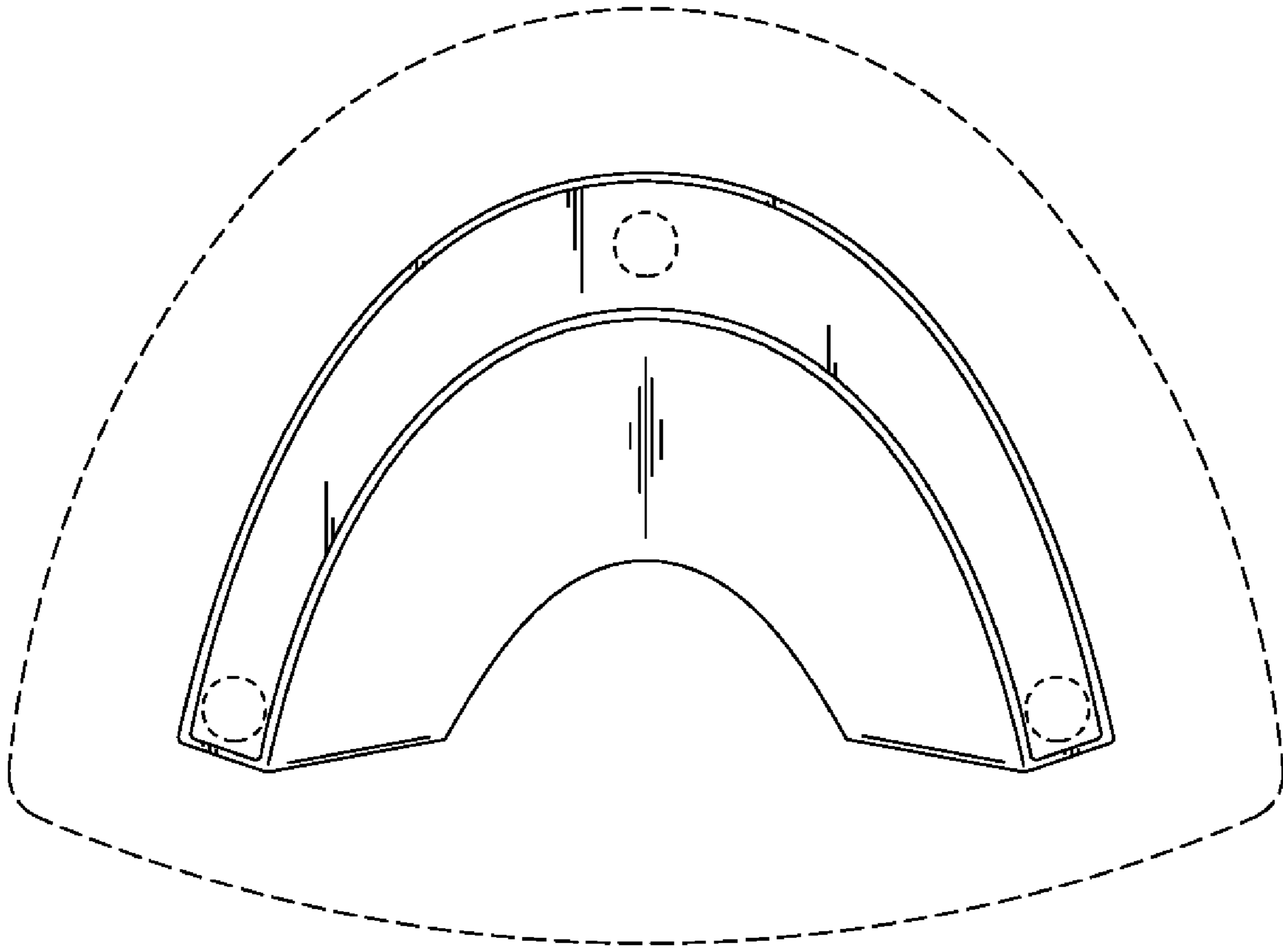
***FIG. 9***



***FIG. 10***



***FIG. 11***



***FIG. 12***