



US00D613095S

(12) **United States Design Patent**  
**Obiorah**

(10) **Patent No.:** **US D613,095 S**

(45) **Date of Patent:** **\*\* Apr. 6, 2010**

(54) **BAR TABLE UNIT**

(57) **CLAIM**

(76) **Inventor:** **Okechukwu Ambrose Obiorah**, 4  
Garratt Road, Edgware (GB) HA8 9AW

The ornamental design for a bar table unit, as shown and described.

(\*\*) **Term:** **14 Years**

**DESCRIPTION**

(21) **Appl. No.:** **29/313,925**

FIG. 1 is a front elevational view of a bar table unit showing my new design with the pedestal door closed;

(22) **Filed:** **Feb. 20, 2009**

FIG. 2 is a front elevational view thereof with the pedestal door open;

(30) **Foreign Application Priority Data**

Sep. 1, 2008 (GB) ..... 4008764

FIG. 3 is a front elevational view thereof with the pedestal door open. Remote controls, drink openers, plates and serviette dispenser added.

(51) **LOC (9) Cl.** ..... **06-03**

FIG. 4 is a top plan view thereof with the edible container covered with its lid;

(52) **U.S. Cl.** ..... **D6/486**

(58) **Field of Classification Search** ..... D6/480-489,  
D6/495-499, 450, 451, 429-431, 449, 466;  
108/150, 153.1, 155, 156, 161, 50.01, 50.02,  
108/50.12; 248/188, 188.1, 188.8

FIG. 5 is top plan view thereof with the edible container open. Stone like ornaments added;

See application file for complete search history.

FIG. 6 is an isometric view from one side with the pedestal door closed, edible container covered with its lid and ornaments added;

(56) **References Cited**

**U.S. PATENT DOCUMENTS**

- 1,846,878 A \* 2/1932 Kopp ..... 362/125
- D239,071 S \* 3/1976 Robson ..... D6/397
- D276,100 S \* 10/1984 Middleton ..... D6/466
- D284,149 S \* 6/1986 Rose ..... D6/467
- D381,535 S \* 7/1997 Richardson ..... D6/486
- D392,478 S \* 3/1998 Schwab ..... D6/486
- D511,257 S \* 11/2005 Chabot ..... D6/486
- D555,960 S \* 11/2007 Pena ..... D6/552

FIG. 7 is an isometric view from one side with the pedestal door open and edible container open;

FIG. 8 is an isometric view from one side with the plates and serviette dispenser added. Also added are the ornaments;

FIG. 9 is a rear elevational view thereof; and,

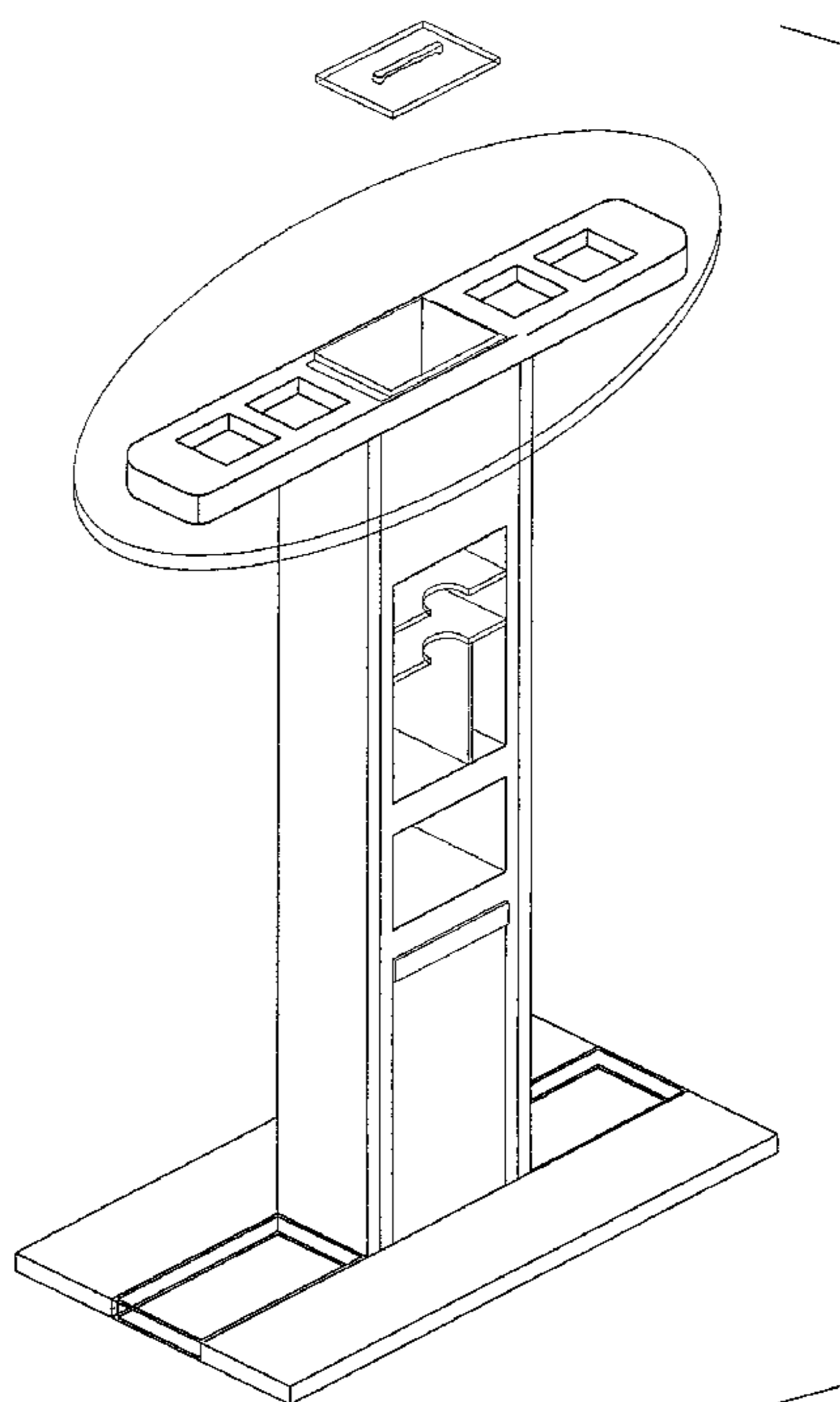
FIG. 10 is a right side elevational view thereof.

The remote controls, drink openers, plates and serviette dispenser in the bar table unit are shown in broken lines for illustrative purposes only and form no part of the claimed design

\* cited by examiner

*Primary Examiner*—Janice E Seeger

**1 Claim, 6 Drawing Sheets**



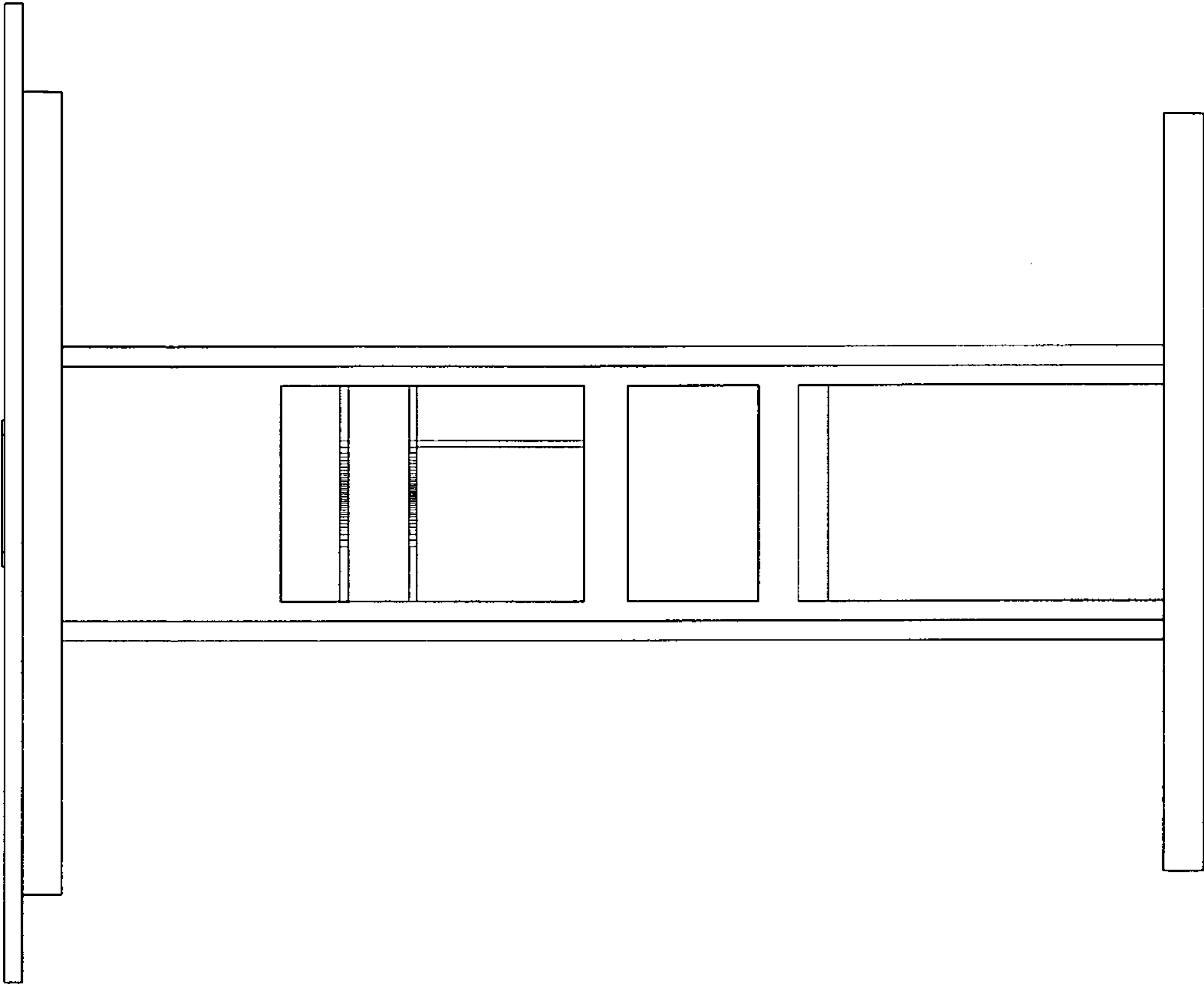


FIG. 2

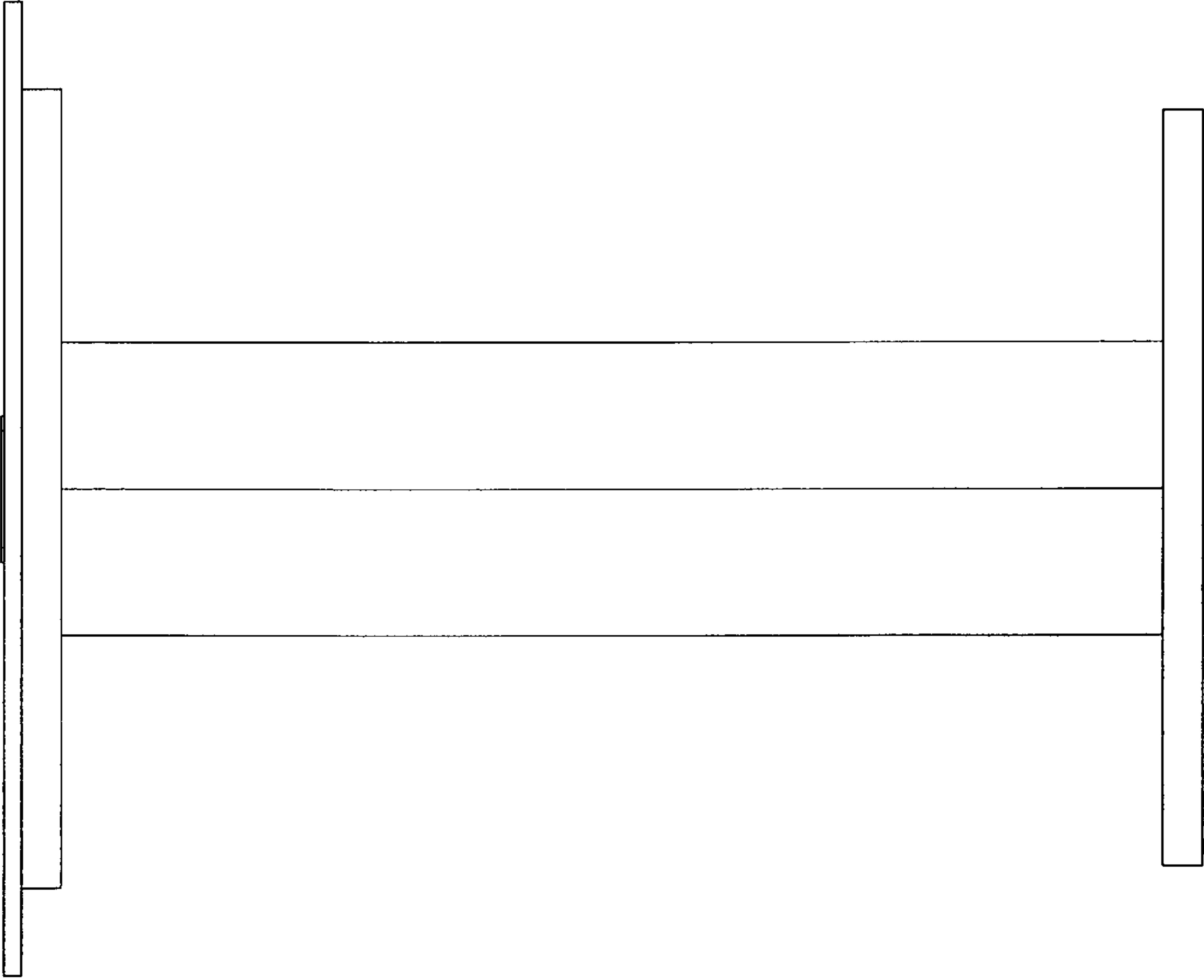


FIG. 1

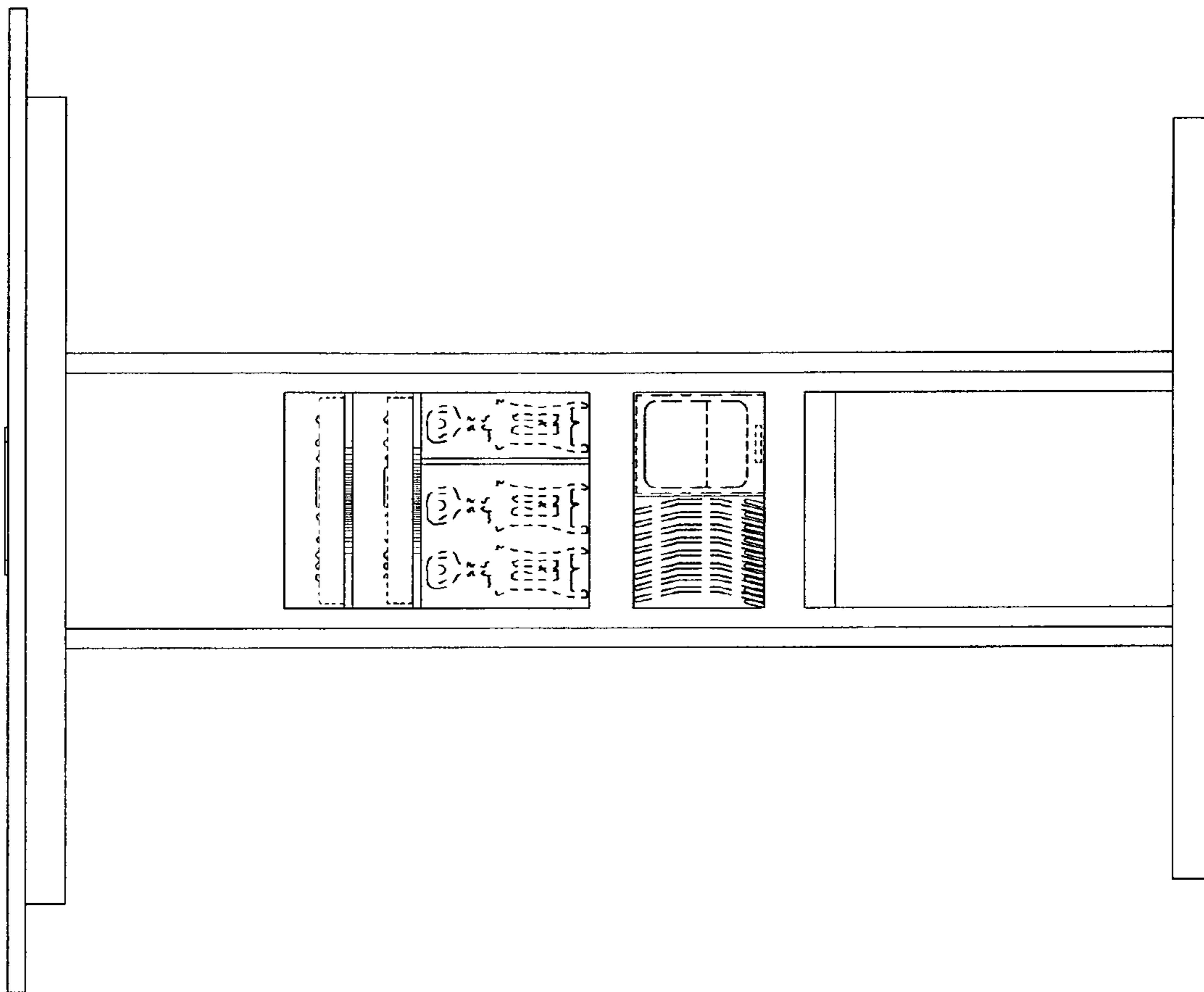


FIG. 3

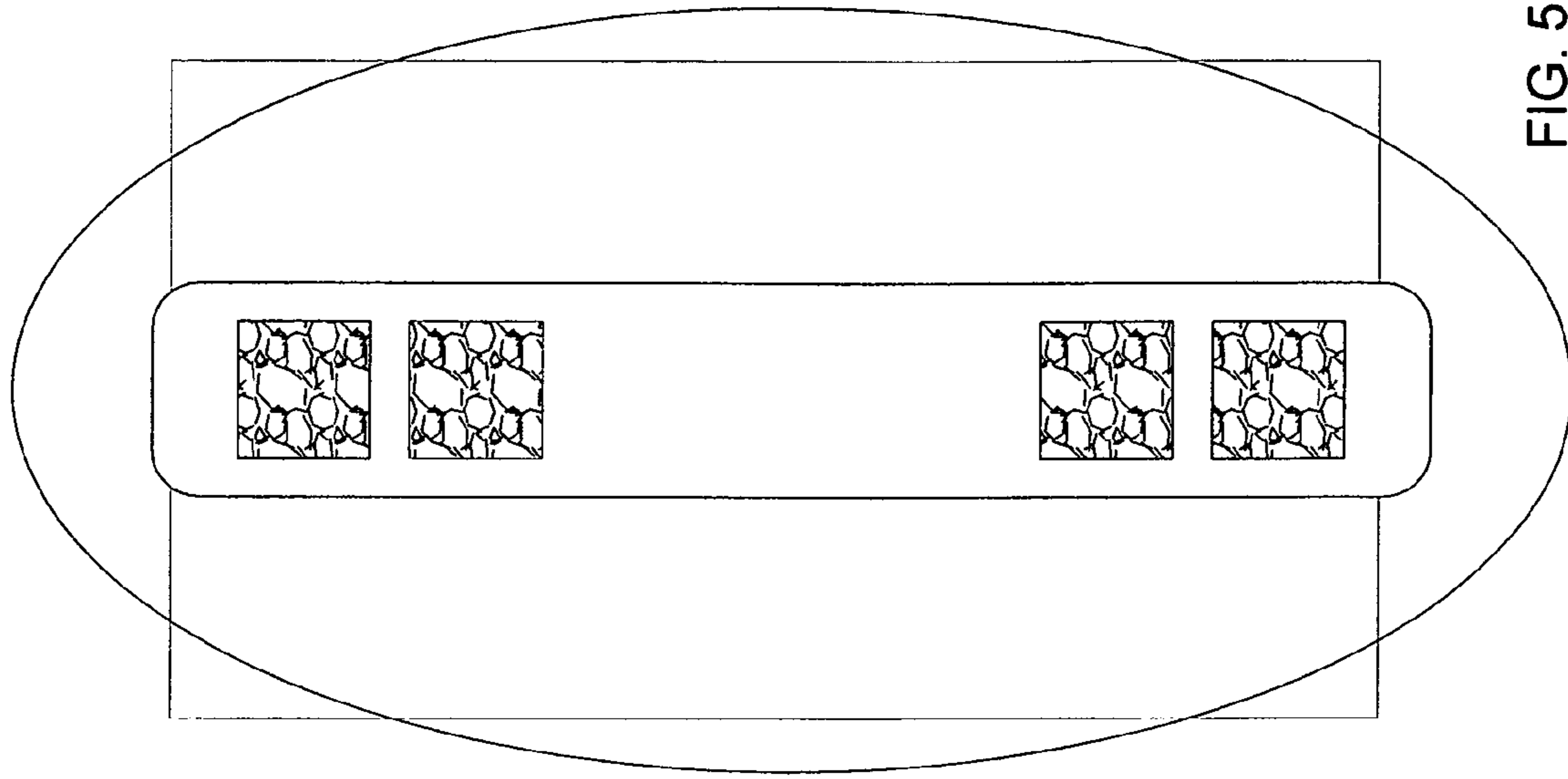


FIG. 5

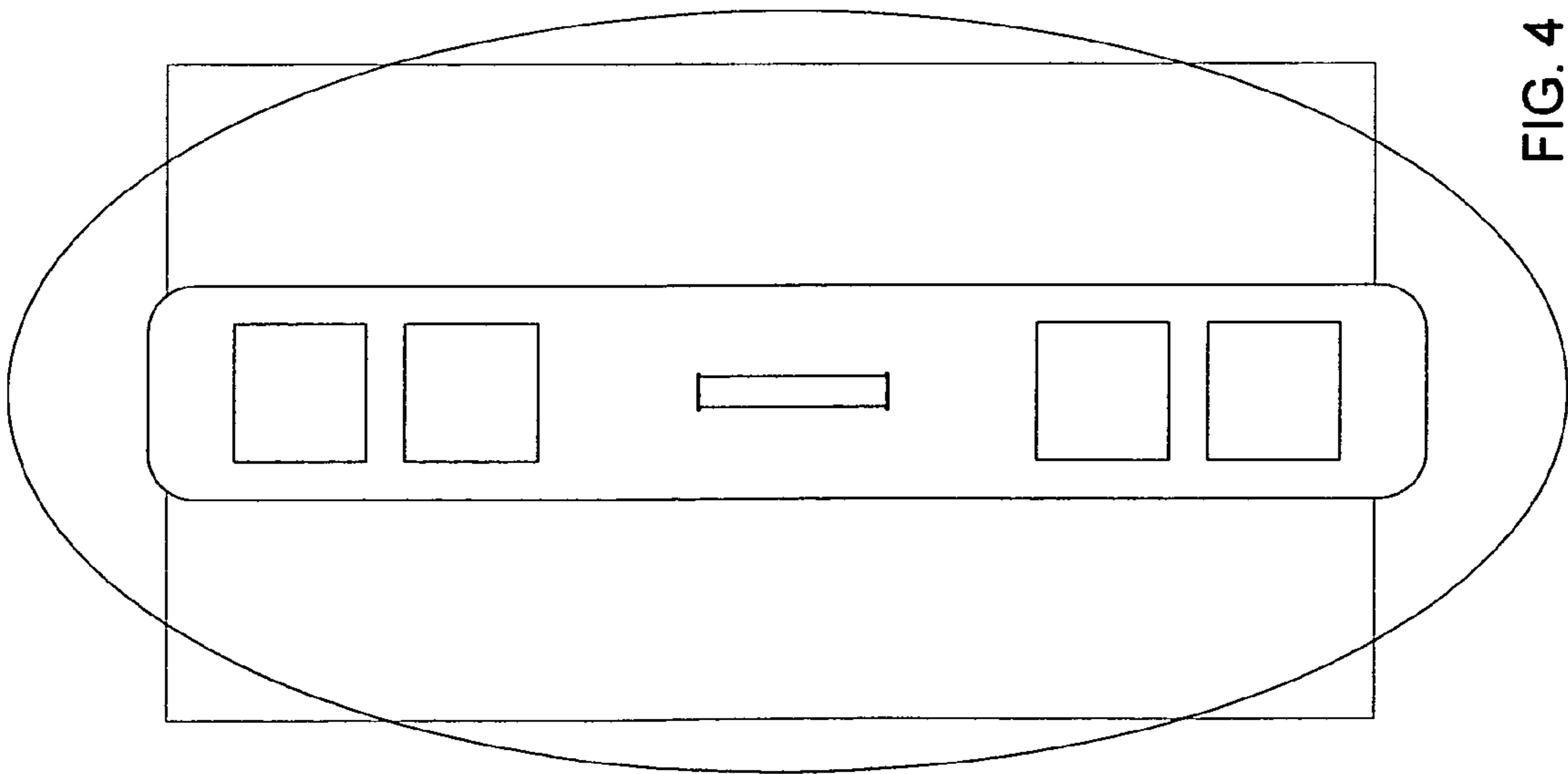


FIG. 4

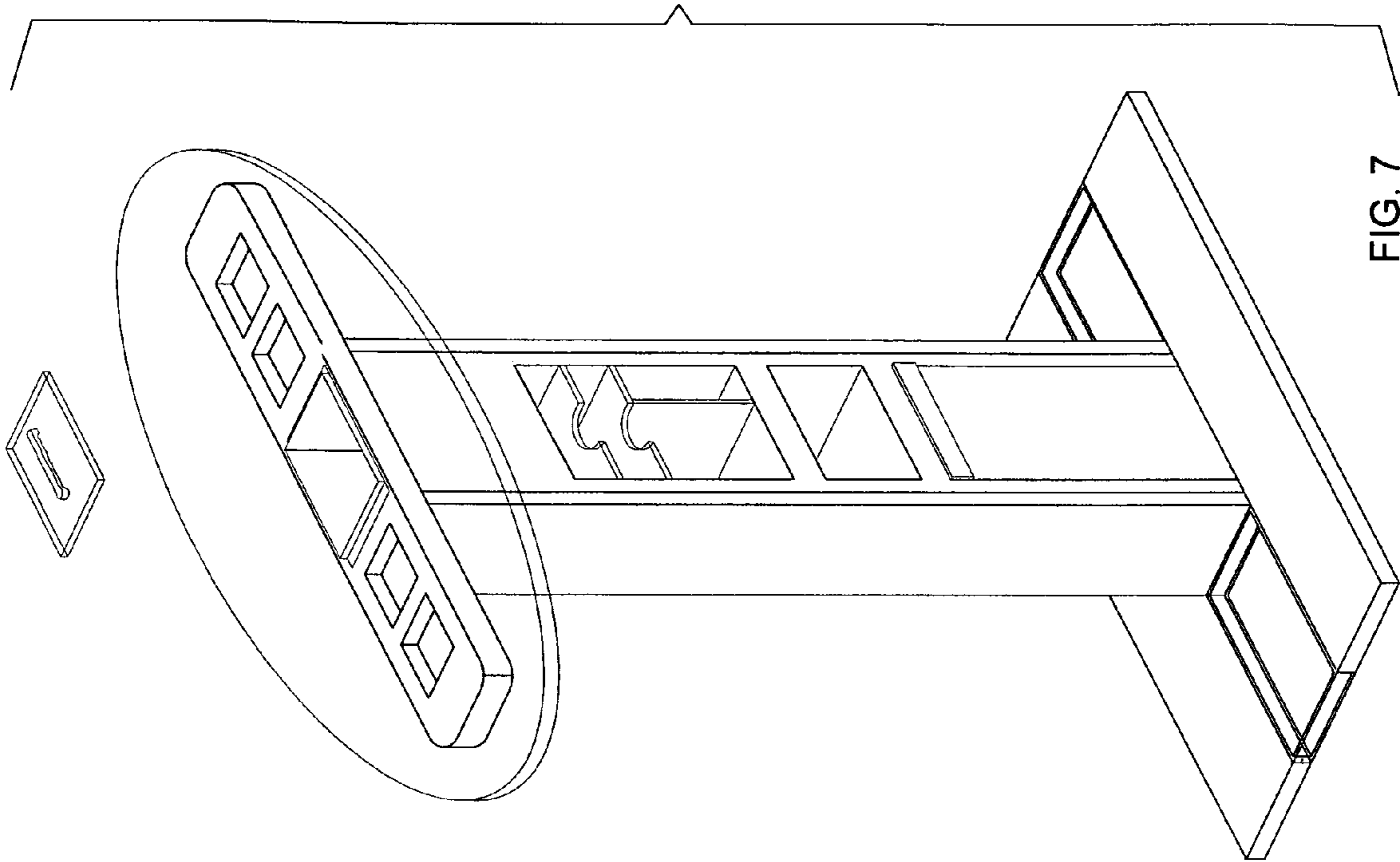


FIG. 7

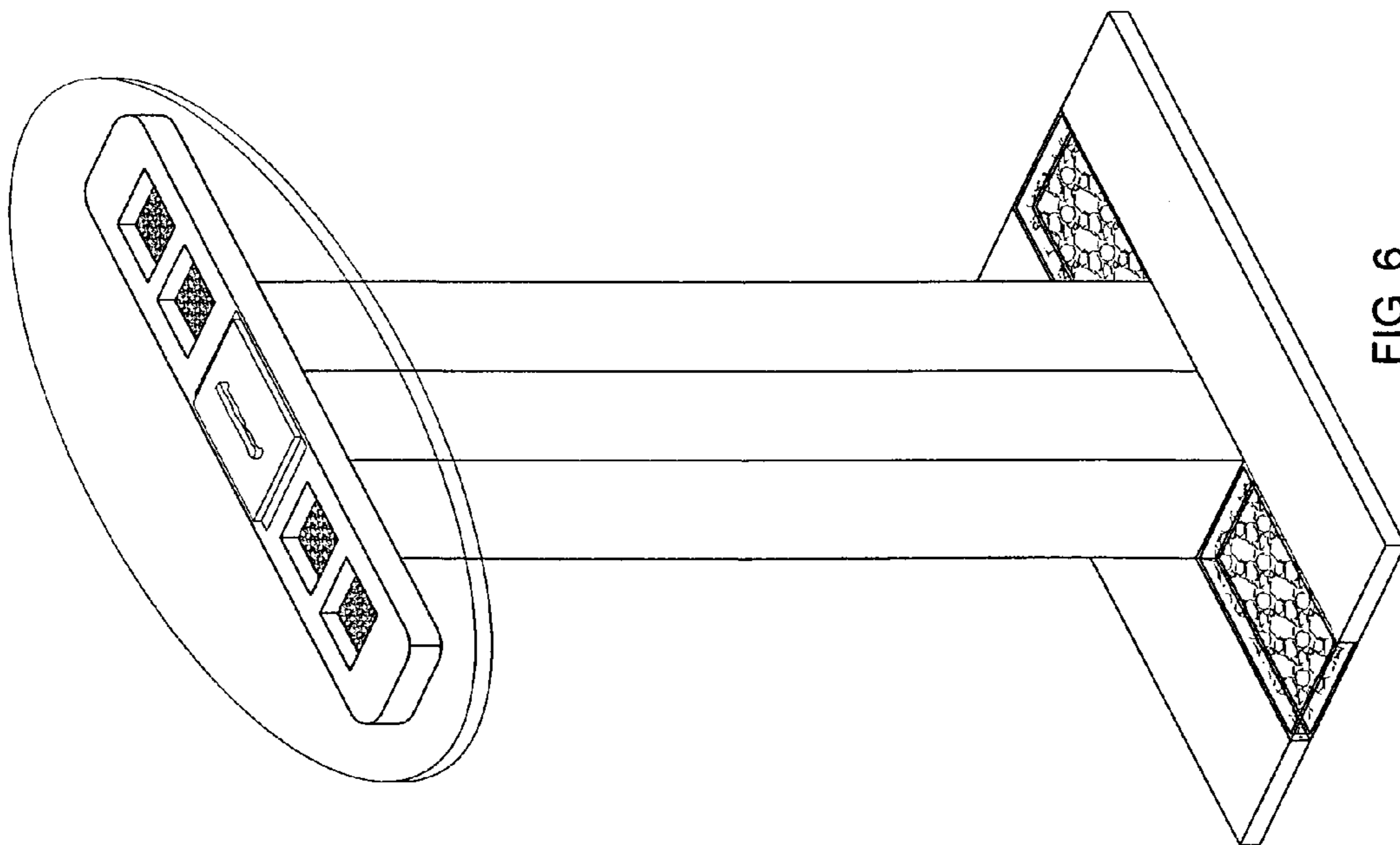


FIG. 6



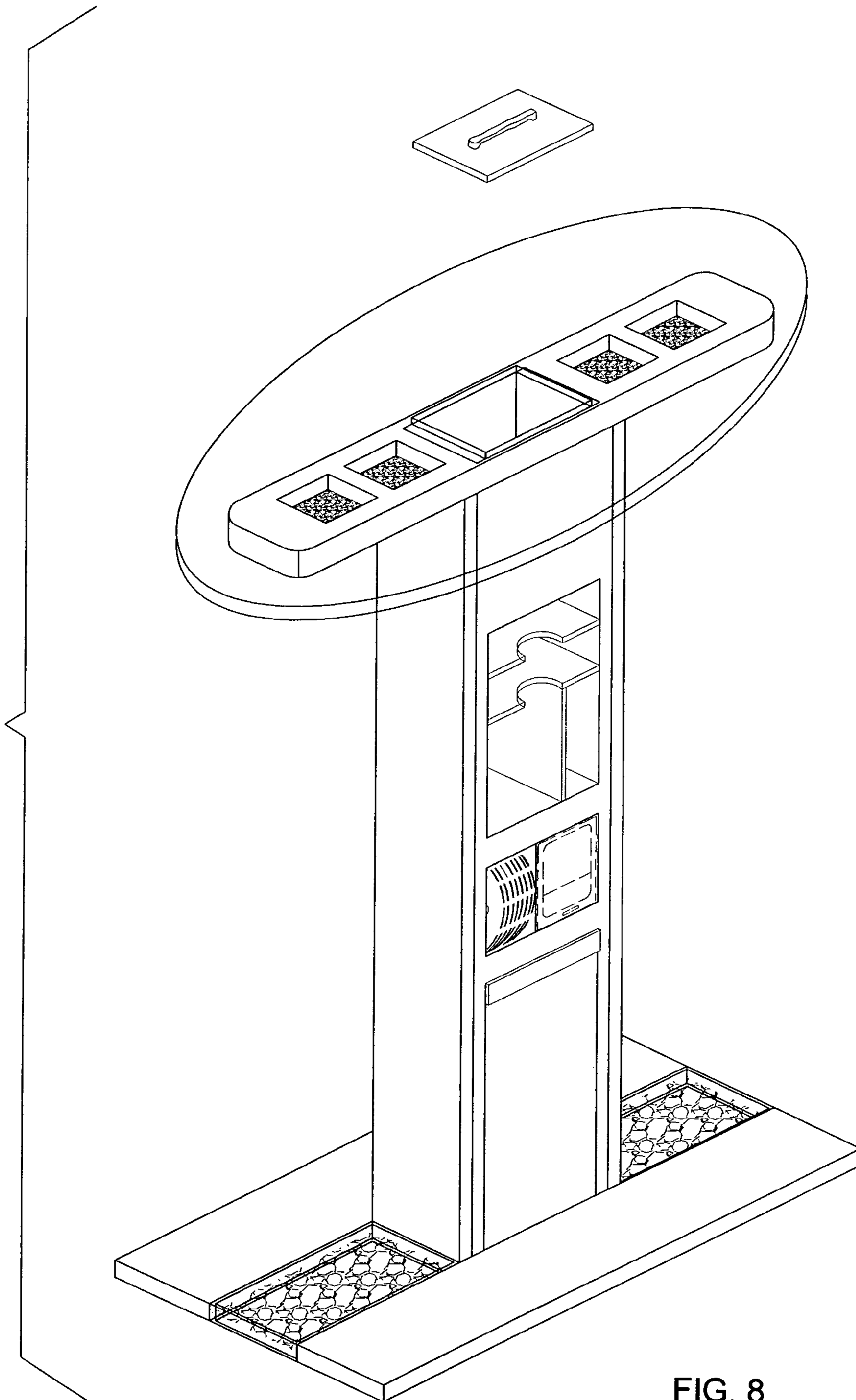


FIG. 8

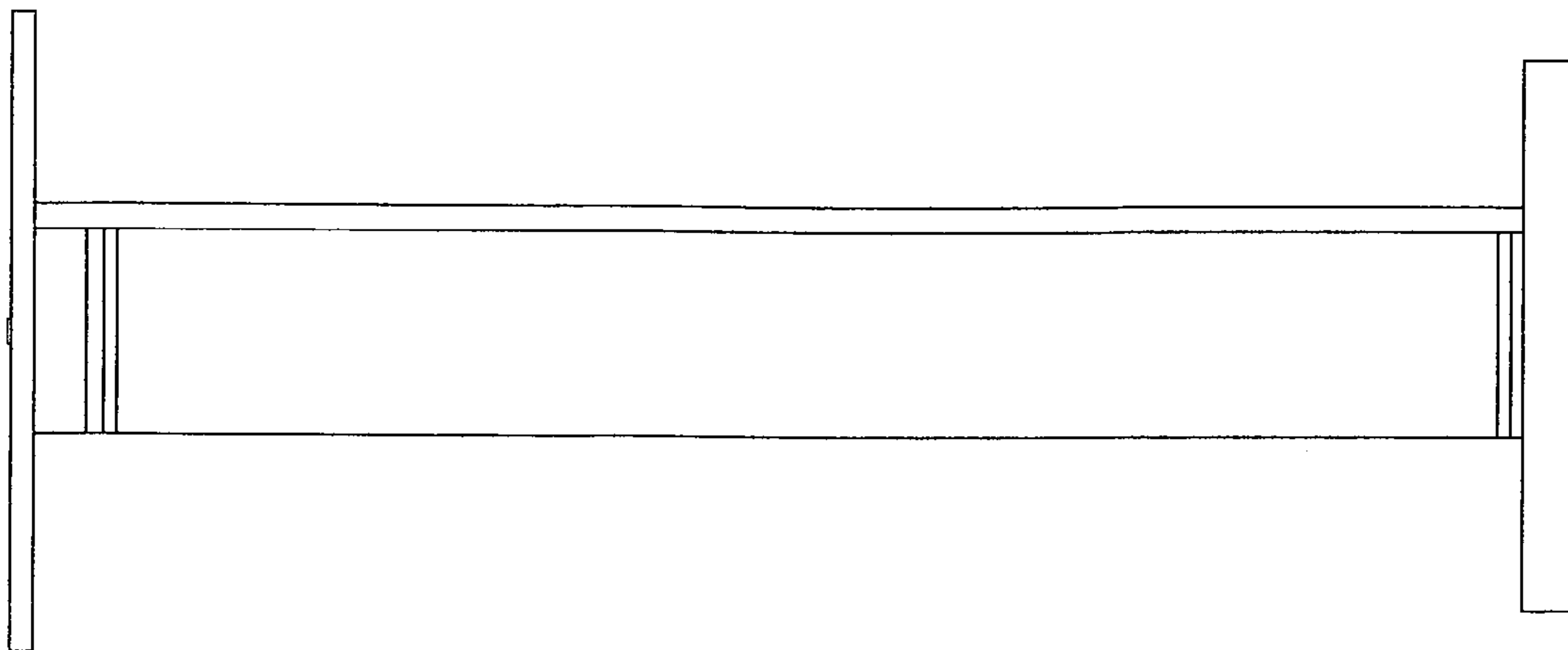


FIG. 10

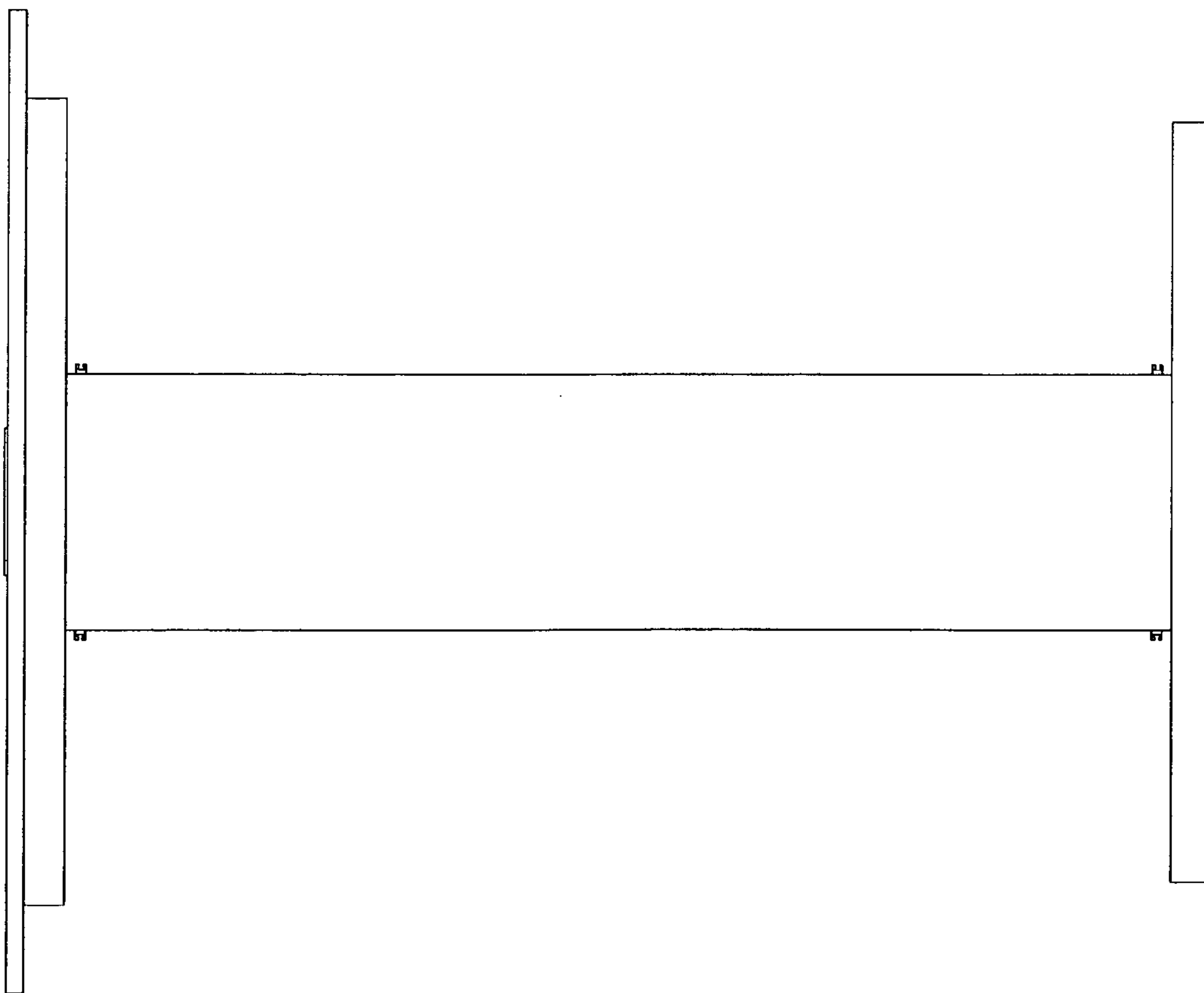


FIG. 9