



US00D613094S

(12) **United States Design Patent**
Wade et al.

(10) **Patent No.:** **US D613,094 S**
(45) **Date of Patent:** **** Apr. 6, 2010**

(54) **DISPLAY DEVICE**

(75) Inventors: **Danny S. Wade**, Cohutta, GA (US);
Johannes Bakker, Cohutta, GA (US)

(73) Assignee: **Beaulieu Group, LLC**, Dalton, GA
(US)

(**) Term: **14 Years**

(21) Appl. No.: **29/341,426**

(22) Filed: **Aug. 5, 2009**

Related U.S. Application Data

(62) Division of application No. 29/302,986, filed on Jan. 30, 2008.

(51) **LOC (9) Cl.** **06-07**

(52) **U.S. Cl.** **D6/464**

(58) **Field of Classification Search** D6/467,
D6/458, 460-465, 449, 466; 211/85.1, 85.2,
211/41.1, 41.5, 90.03, 113, 181.1, 13.1, 49.1;
40/725; D20/42

See application file for complete search history.

(56) **References Cited**

U.S. PATENT DOCUMENTS

3,871,524 A 3/1975 Helf
3,965,583 A 6/1976 Price

4,256,043 A 3/1981 Ovitz, III
D267,658 S 1/1983 Samuels, Jr.
6,170,674 B1 1/2001 Caterinacci
D524,573 S 7/2006 Robinson et al.
2002/0007578 A1 1/2002 Martorella
2007/0119803 A1 5/2007 Raile

FOREIGN PATENT DOCUMENTS

CA 1117489 A1 2/1982
FR 2640863 6/1990

Primary Examiner—Philip S Hyder

Assistant Examiner—Sydney R Buffalow

(74) *Attorney, Agent, or Firm*—Sutherland Asbill & Brennan
LLP

(57) **CLAIM**

The ornamental design for a display device, as shown and described.

DESCRIPTION

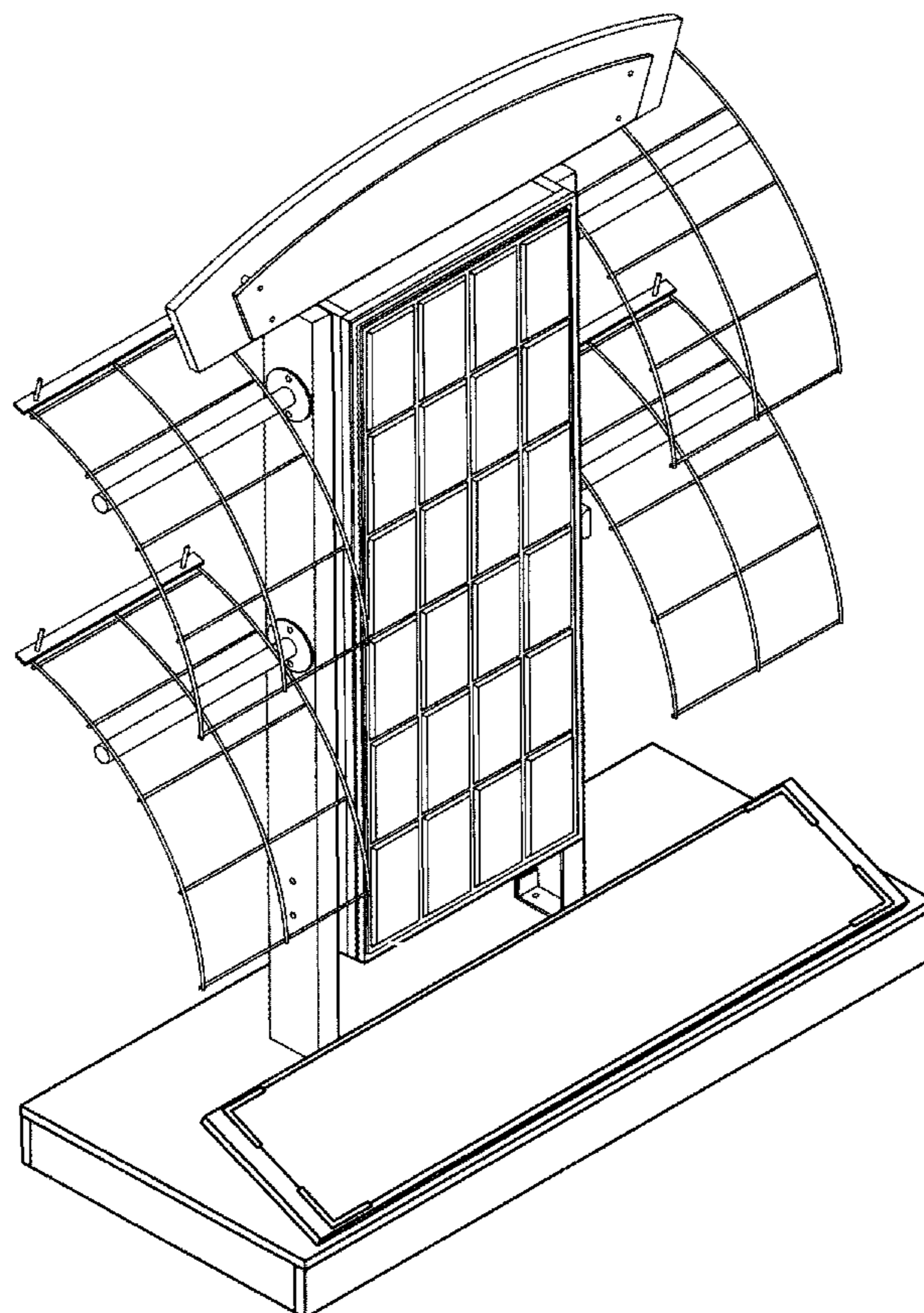
FIG. 1 is a perspective view of a display device showing my new design;

FIG. 2 is a front view thereof;

FIG. 3 is a right side view thereof, the left side being identical; and,

FIG. 4 is a top view thereof.

1 Claim, 3 Drawing Sheets



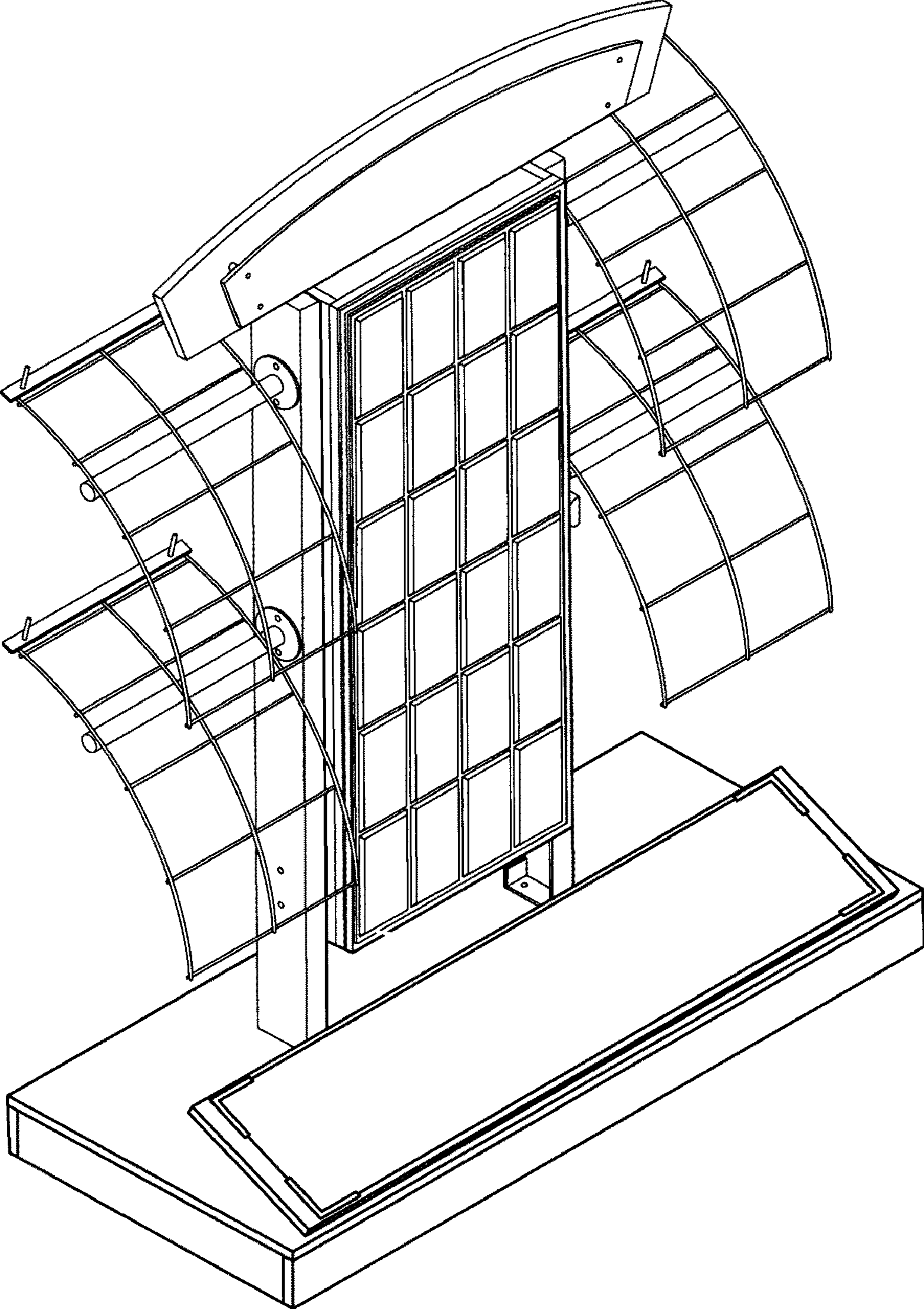


FIG. 1

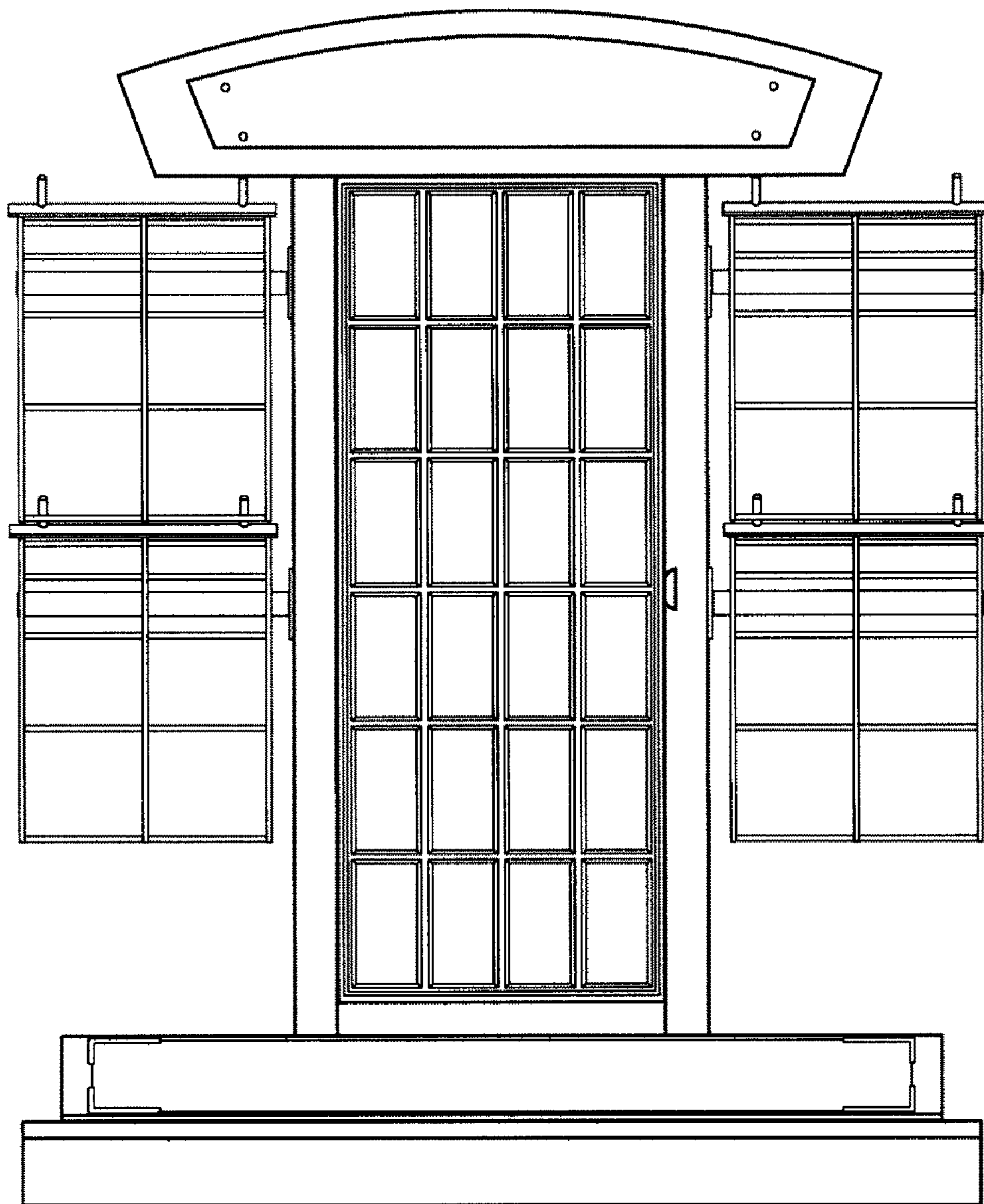


FIG. 2

FIG. 3

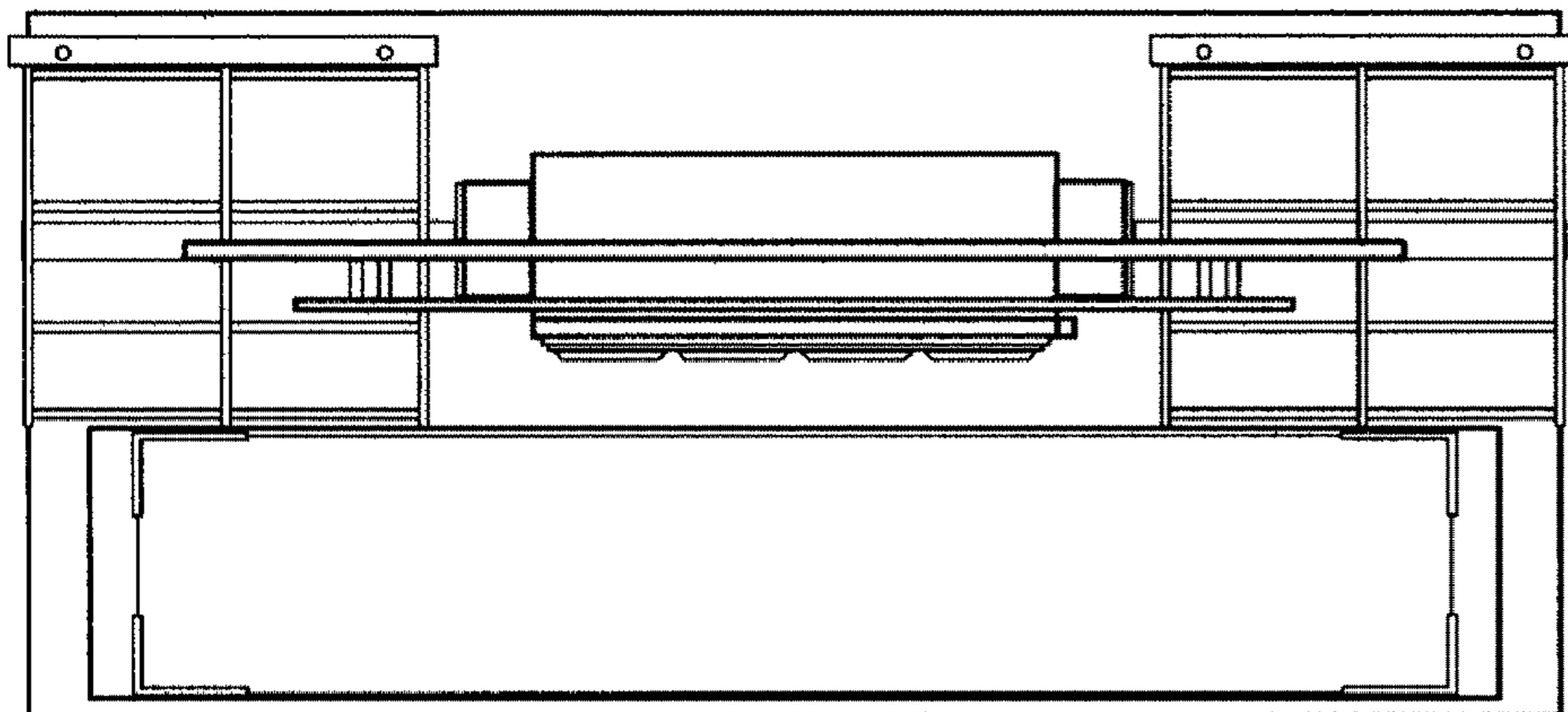
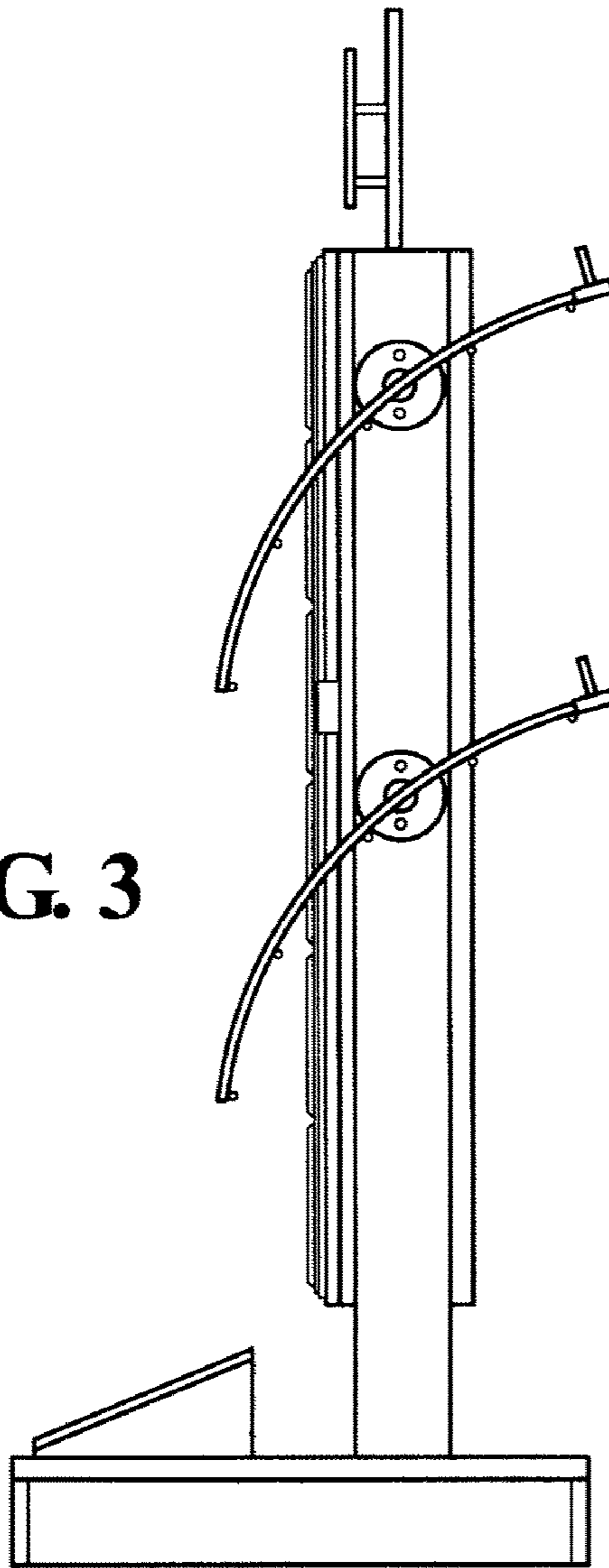


FIG. 4