



US00D613093S

(12) **United States Design Patent**  
**Snider**

(10) **Patent No.:** **US D613,093 S**

(45) **Date of Patent:** **\*\* \*Apr. 6, 2010**

(54) **STACKING POD HOLDER**

D472,681 S \* 4/2003 Melius ..... D30/133  
D548,896 S \* 8/2007 Stewart ..... D30/131

(75) Inventor: **Martin Snider**, New City, NY (US)

**OTHER PUBLICATIONS**

(73) Assignee: **MSA Products, Inc.**, Nyack, NY (US)

P. 31 of Green Mountain Coffee Summer 2009 Catalogue.

(\*\*) Term: **14 Years**

\* cited by examiner

(21) Appl. No.: **29/333,833**

*Primary Examiner*—Philip S Hyder  
*Assistant Examiner*—Sydney R Buffalow

(22) Filed: **Mar. 16, 2009**

(74) *Attorney, Agent, or Firm*—Gerald E. Hespos; Michael J. Porco

(51) **LOC (9) Cl.** ..... **06-04**

(52) **U.S. Cl.** ..... **D6/462**

(58) **Field of Classification Search** ..... D6/449,  
D6/474, 462–467, 537, 349, 407, 476, 475,  
D6/566; 211/181, 182, 13, 90.01; D23/401,  
D23/398; D32/55, 58; D30/133, 131

See application file for complete search history.

(57) **CLAIM**

The ornamental design for a stacking pod holder, as shown and described.

**DESCRIPTION**

FIG. 1 is a perspective view of a stacking pod holder in accordance with my design;

FIG. 2 is a top plan view of the stacking pod holder;

FIG. 3 is a rear elevational view as viewed from the rear of FIG. 1, with the front elevational view being a mirror image thereof;

FIG. 4 is a right side elevational view, with the left side elevational view being identical; and,

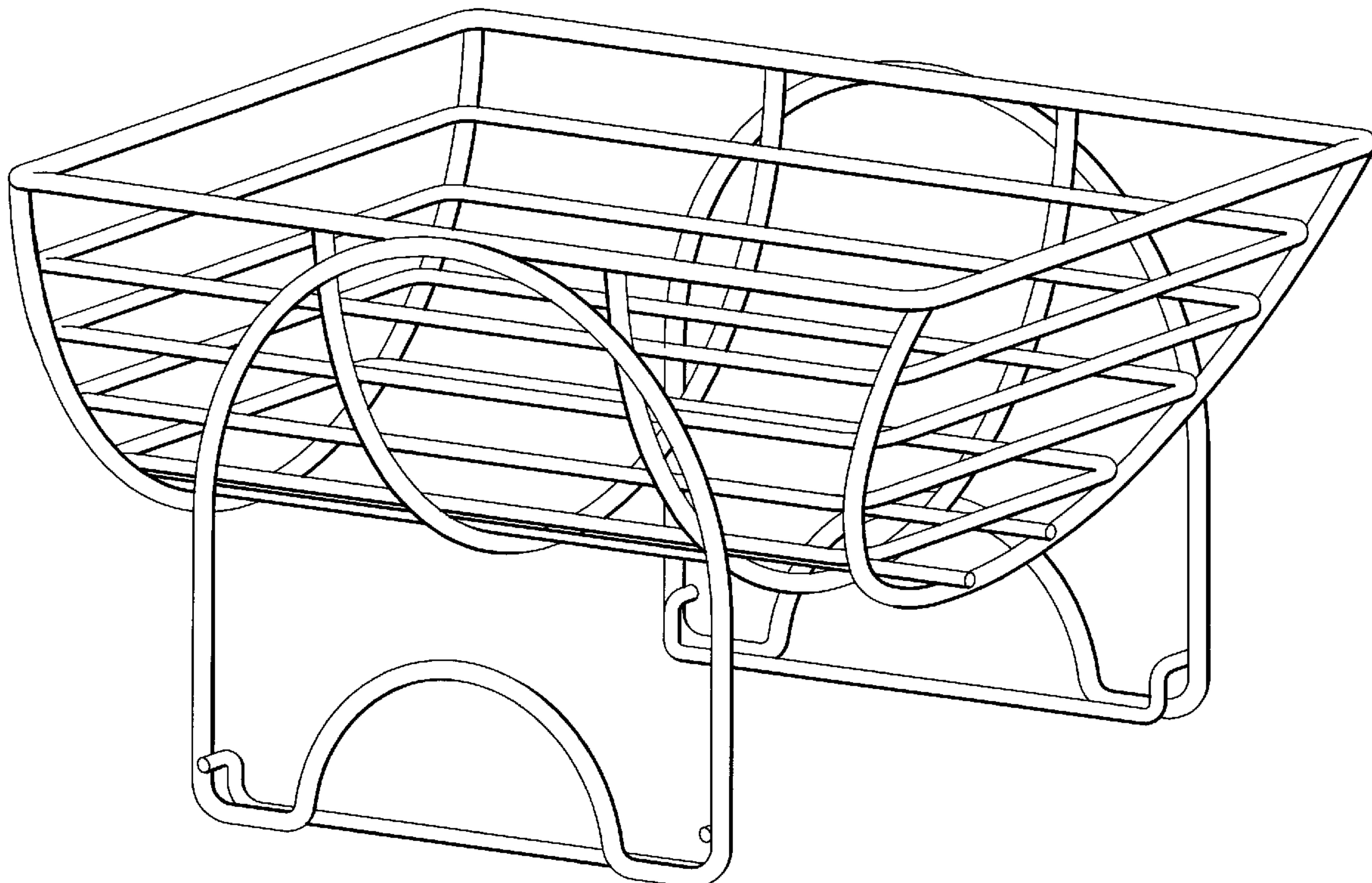
FIG. 5 is a bottom plan view thereof.

(56) **References Cited**

**U.S. PATENT DOCUMENTS**

D180,011 S *	4/1957	Brunig	.....	D23/401
D192,477 S *	3/1962	Chapman	.....	D32/55
D247,344 S *	2/1978	Smith	.....	D23/398
D267,464 S *	1/1983	Hassett et al.	.....	D23/398
D311,953 S *	11/1990	Martinson	.....	D23/398
D358,507 S *	5/1995	Goodman et al.	.....	D6/462
D371,228 S *	6/1996	Monin	.....	D30/121
5,588,543 A *	12/1996	Finger	.....	211/90.01
D414,306 S *	9/1999	Hollinger	.....	D32/55

**1 Claim, 5 Drawing Sheets**



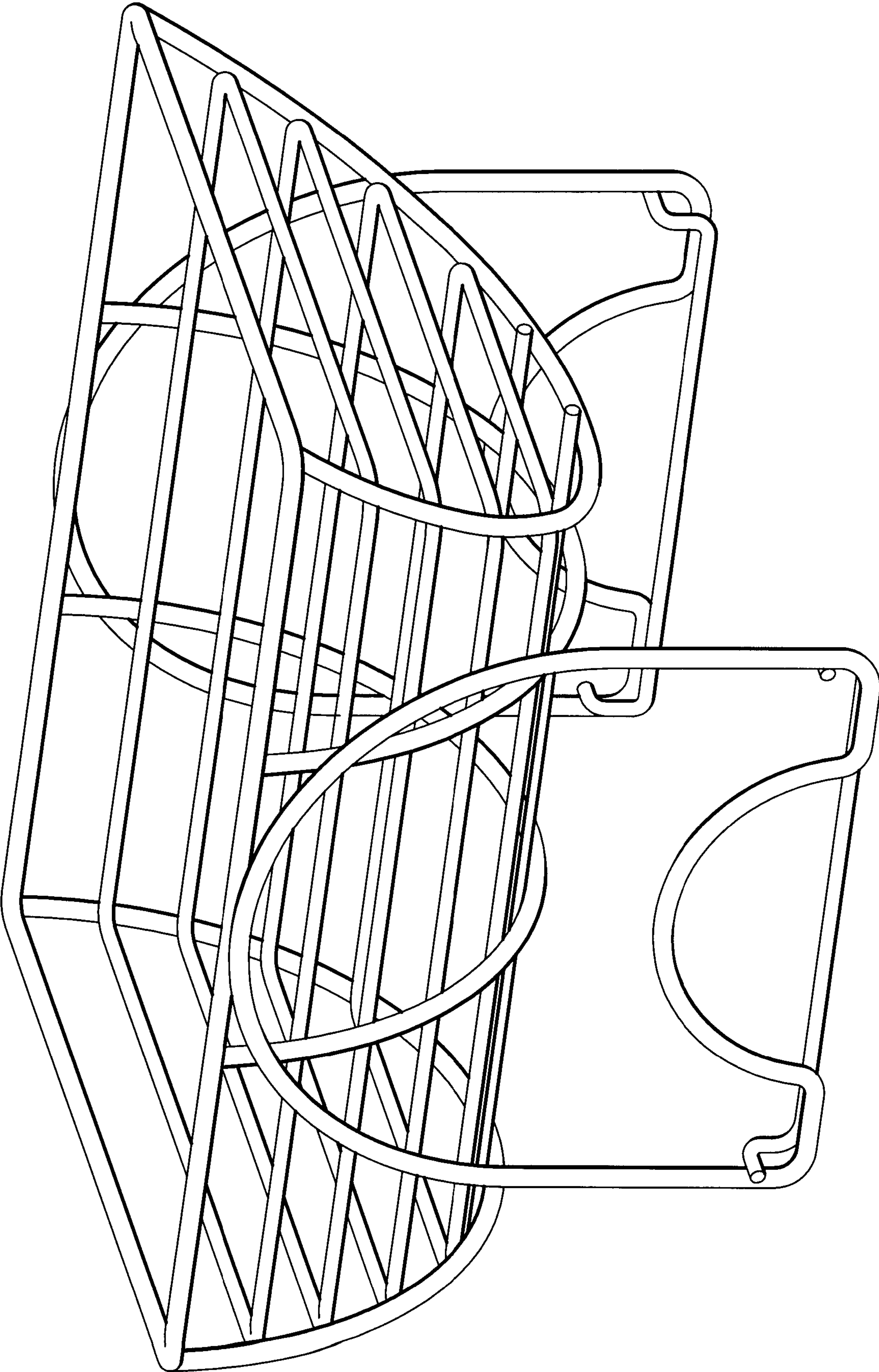


FIG. 1

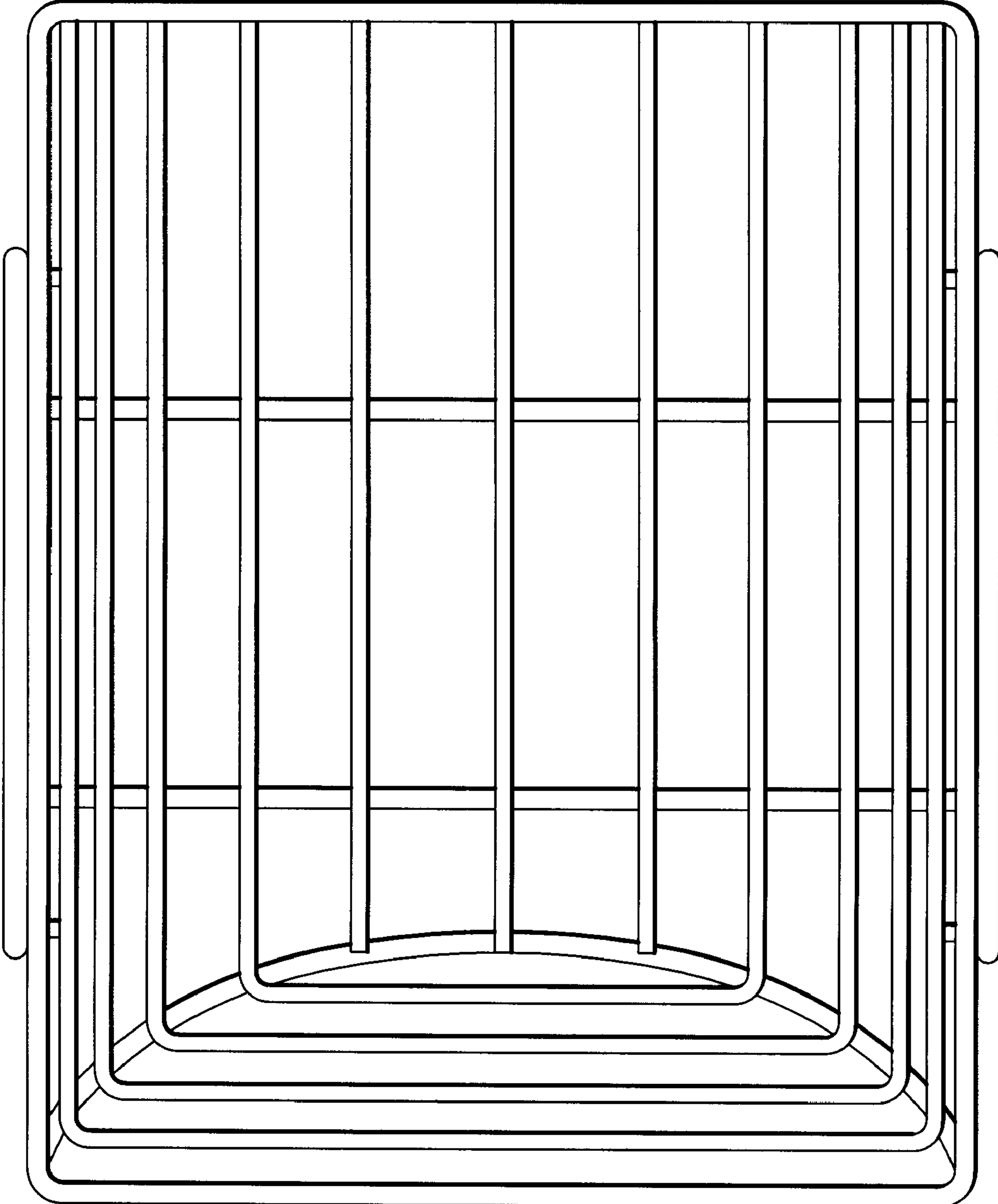


FIG.2

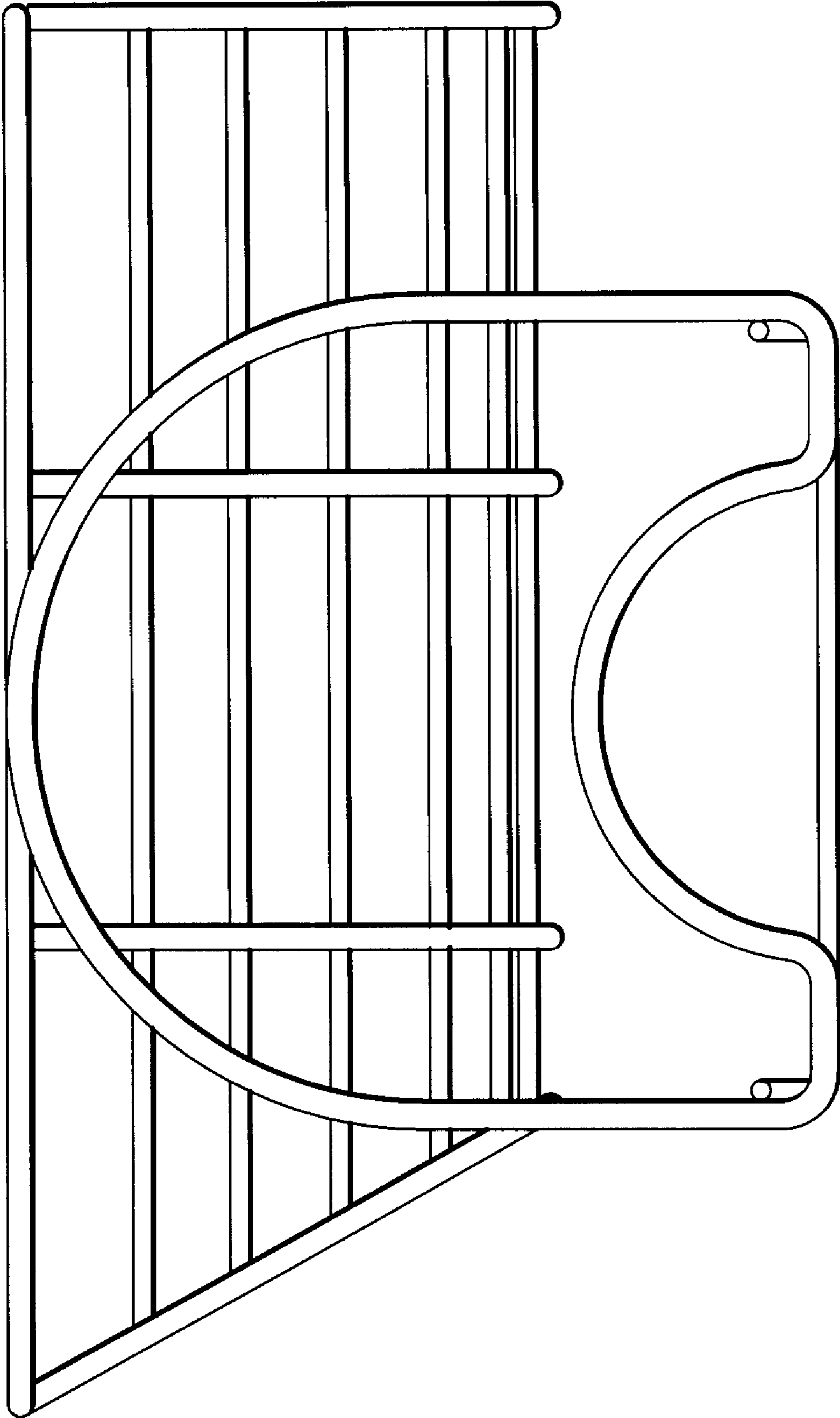


FIG. 3

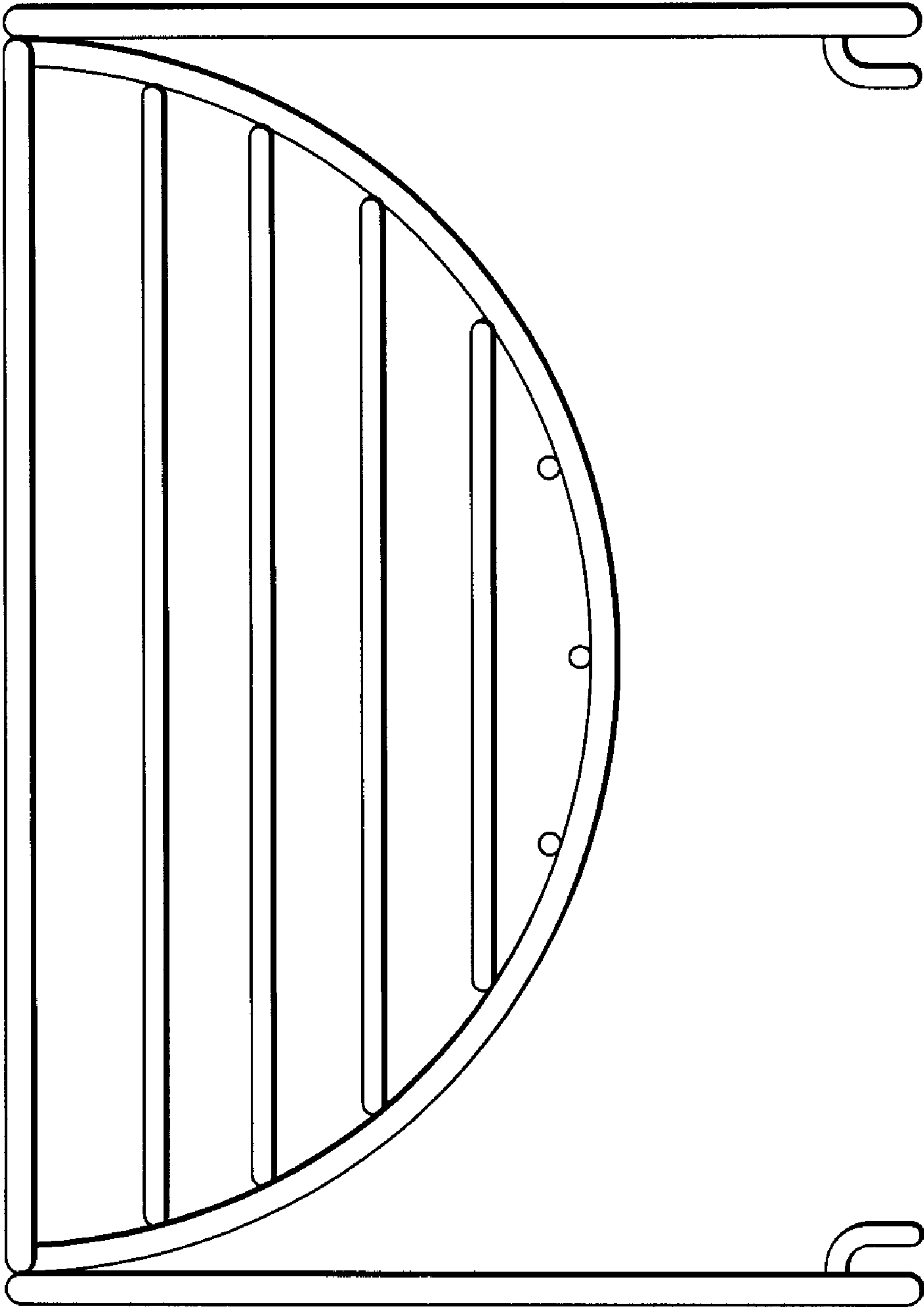


FIG.4



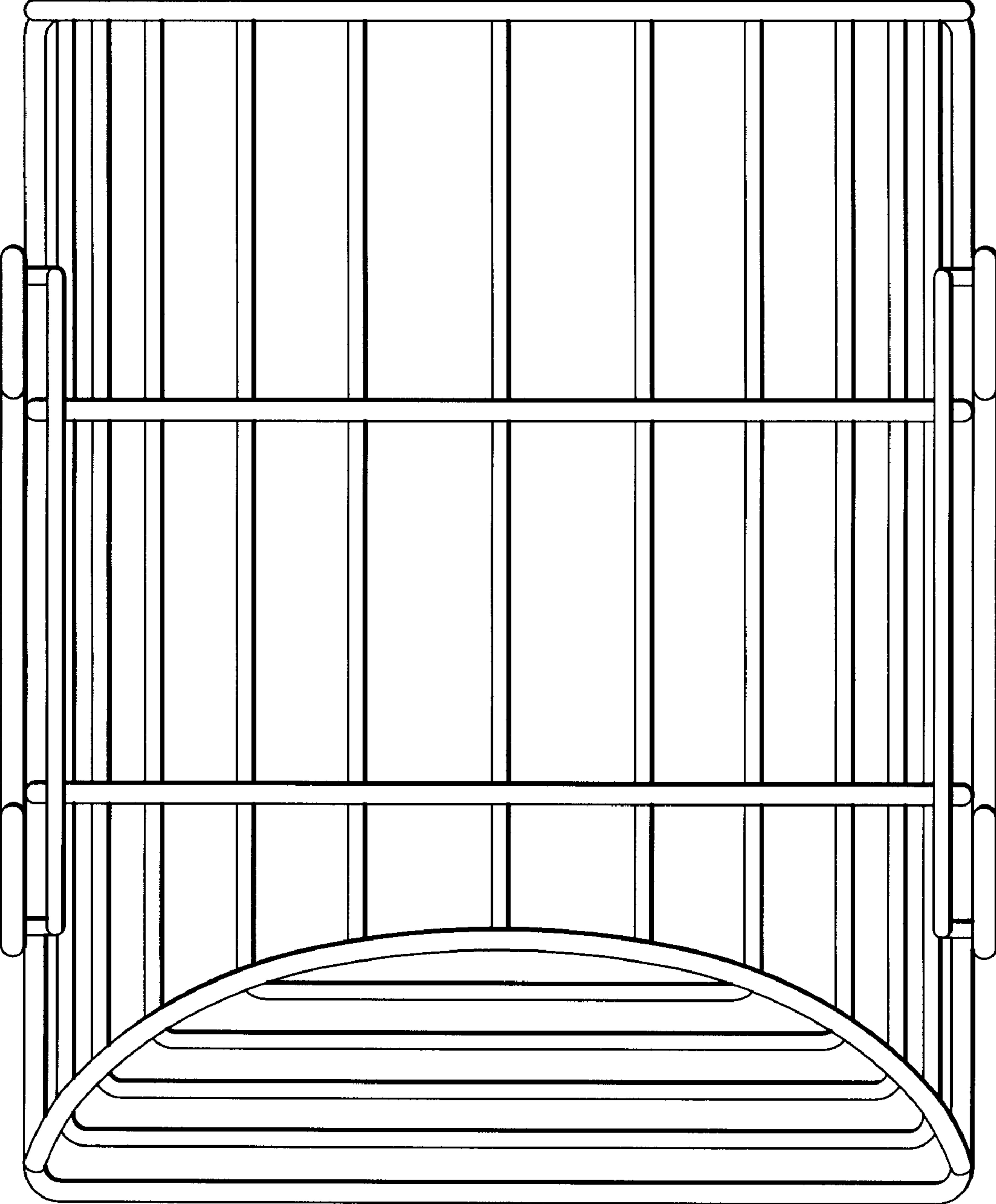


FIG. 5