



US00D613091S

(12) **United States Design Patent**
Taylor

(10) **Patent No.:** **US D613,091 S**

(45) **Date of Patent:** **** Apr. 6, 2010**

(54) **INFANT CRIB**

(76) **Inventor:** **Marilyn Taylor**, 200 Old Palisade Rd.,
Fort Lee, NJ (US) 07024

(**) **Term:** **14 Years**

(21) **Appl. No.:** **29/347,045**

(22) **Filed:** **Sep. 3, 2009**

(51) **LOC (9) Cl.** **06-02**

(52) **U.S. Cl.** **D6/390**

(58) **Field of Classification Search** D6/331,
D6/390-391; 5/93.1, 99.1, 98.1, 101, 102
See application file for complete search history.

(56) **References Cited**

U.S. PATENT DOCUMENTS

2,508,110	A *	5/1950	Hansen	5/99.1
2,529,951	A *	11/1950	Kaye	5/99.1
D224,822	S *	9/1972	Lee, Jr.	D6/390
4,003,098	A *	1/1977	Fink	5/93.1
D276,384	S *	11/1984	Kroll	D6/390
D315,838	S *	4/1991	Penrod	D6/391
D344,642	S *	3/1994	Artz	D6/390

* cited by examiner

Primary Examiner—Janice E Seeger

(74) *Attorney, Agent, or Firm*—Richard C. Litman

(57) **CLAIM**

The ornamental design for an infant crib, as shown and described.

DESCRIPTION

FIG. 1 is a perspective view of a first embodiment of an infant crib showing my new design;

FIG. 2 is a front elevational view with the rear view being a mirror image thereof;

FIG. 3 is a right side elevational view with the left side being a mirror image thereof;

FIG. 4 is a top view thereof;

FIG. 5 is a bottom view thereof;

FIG. 6 is a perspective view of a second embodiment thereof;

FIG. 7 is a front elevational view with the rear view being a mirror image thereof;

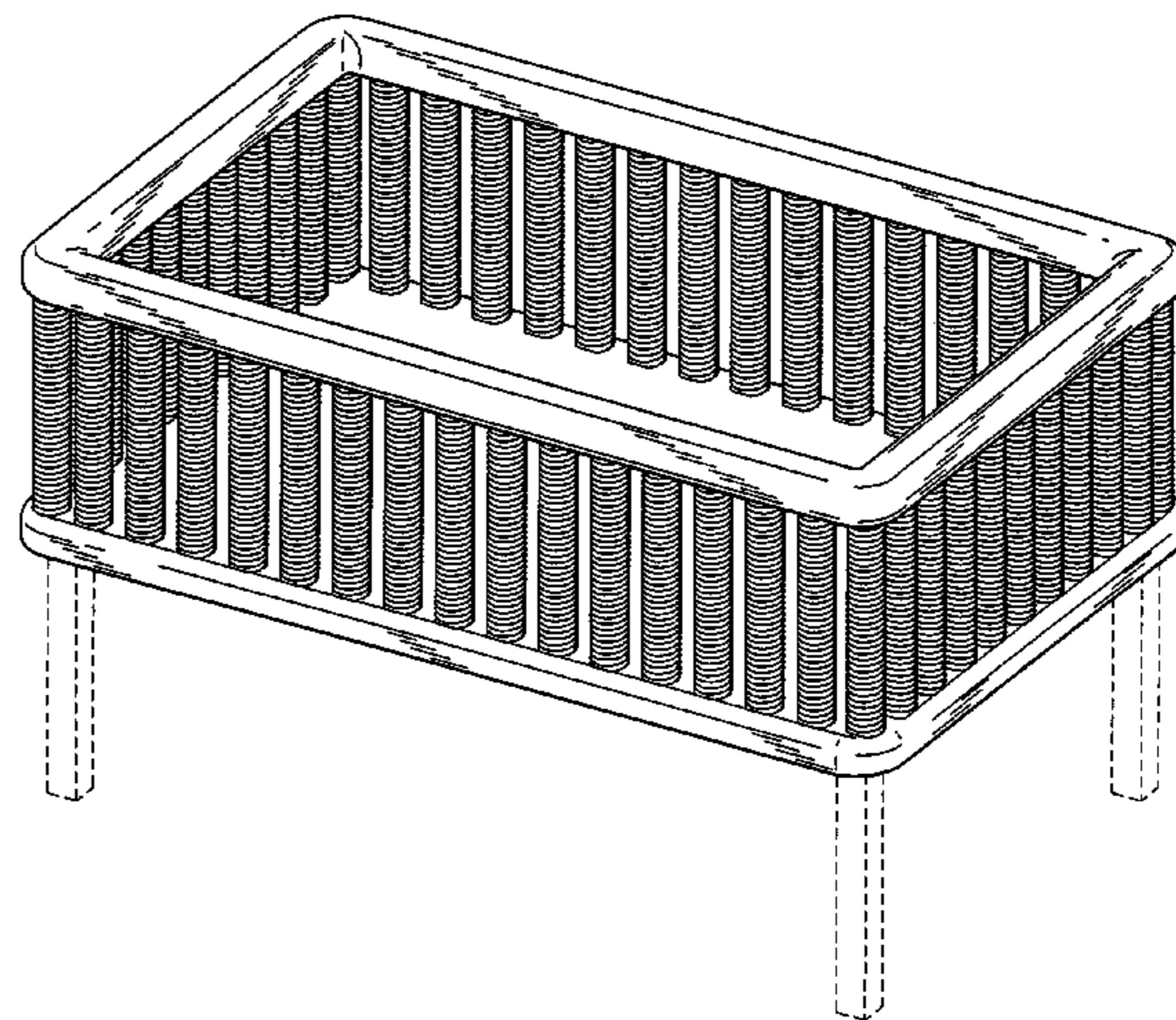
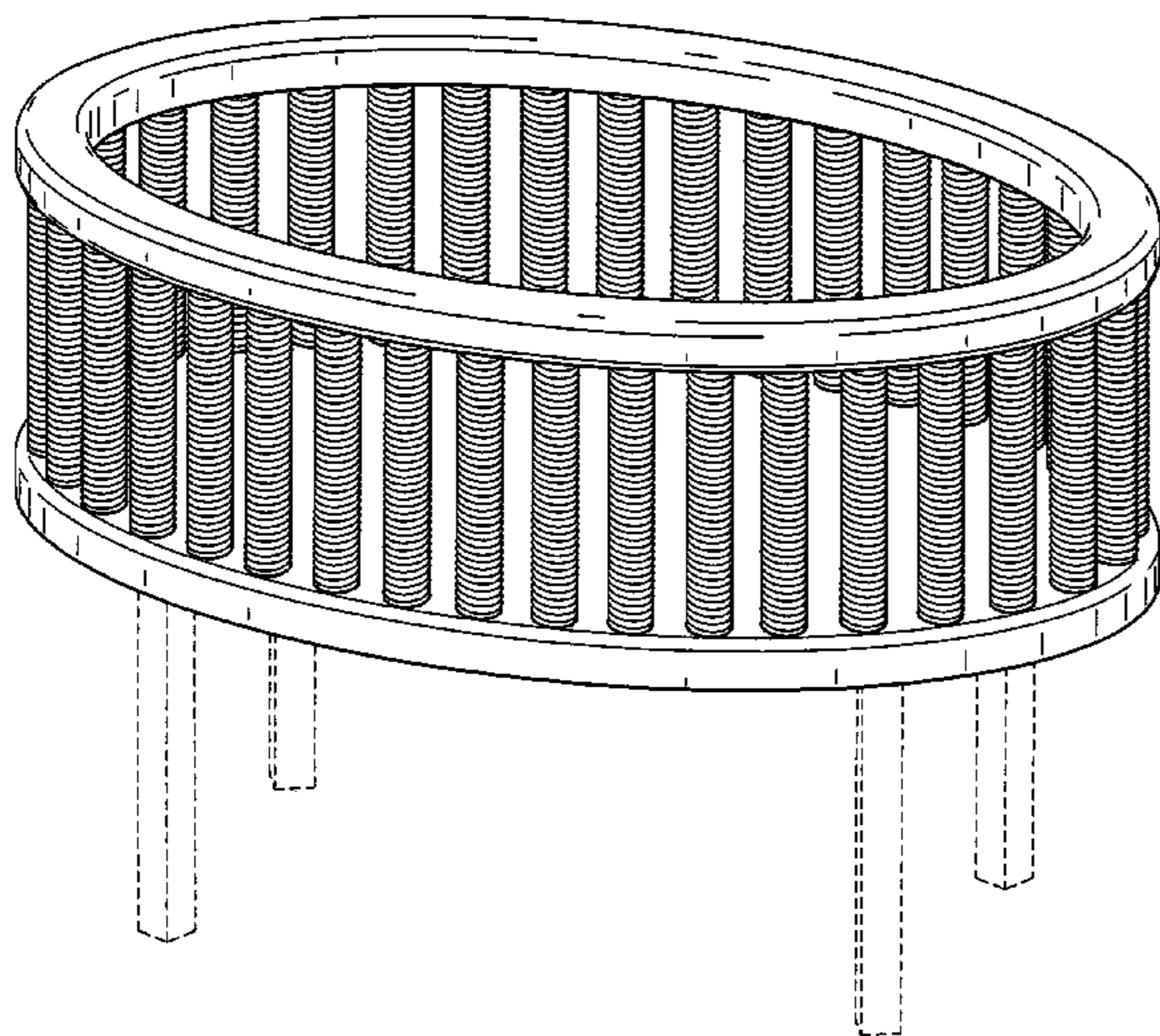
FIG. 8 is a right side elevational view with the left side being a mirror image thereof;

FIG. 9 is a top view thereof; and,

FIG. 10 is a bottom view thereof.

The broken line showing of the crib legs in FIGS. 1-3 and 6-8 is for illustrative purposes only and forms no part of the claimed design.

1 Claim, 10 Drawing Sheets



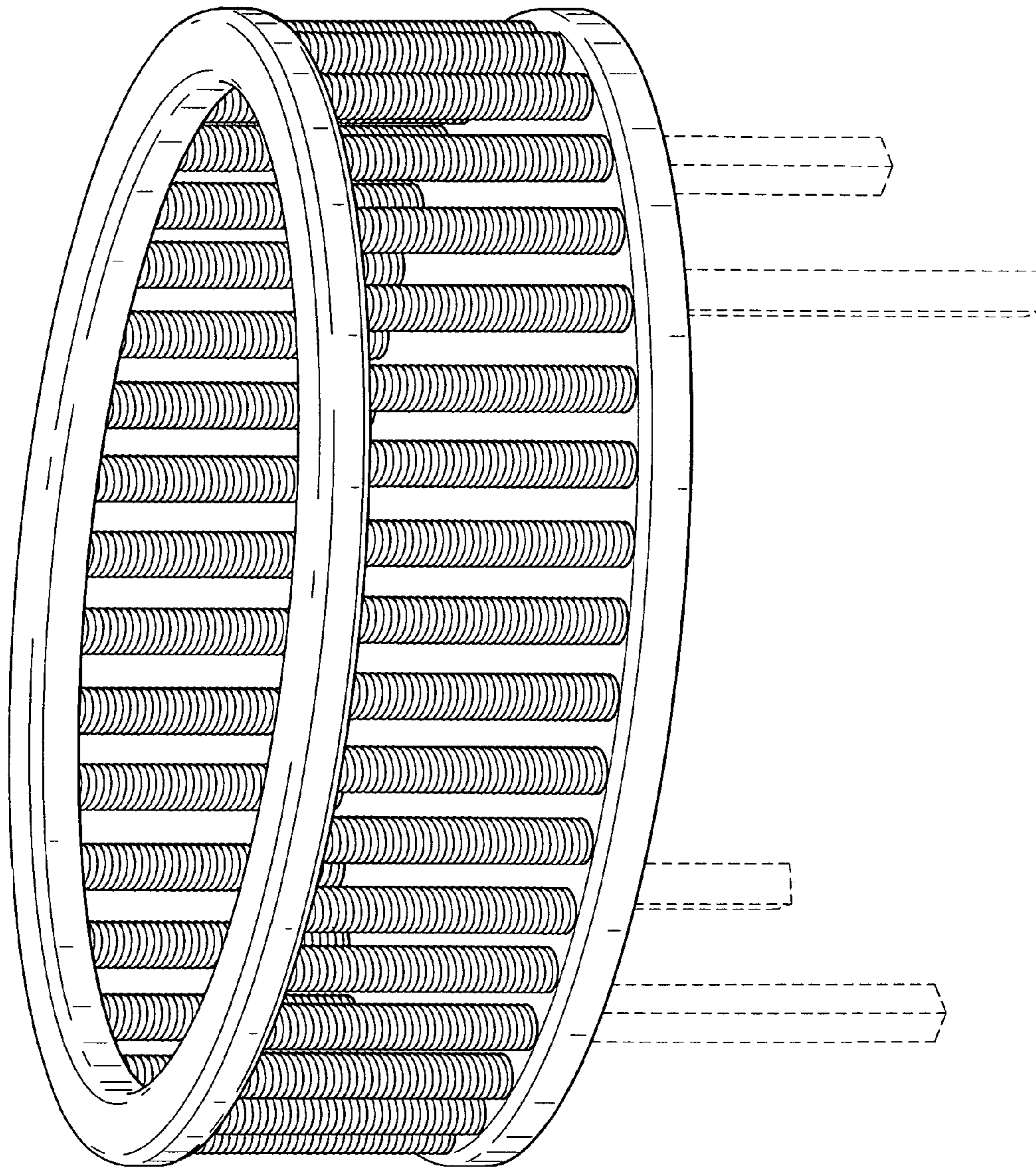


FIG. 1

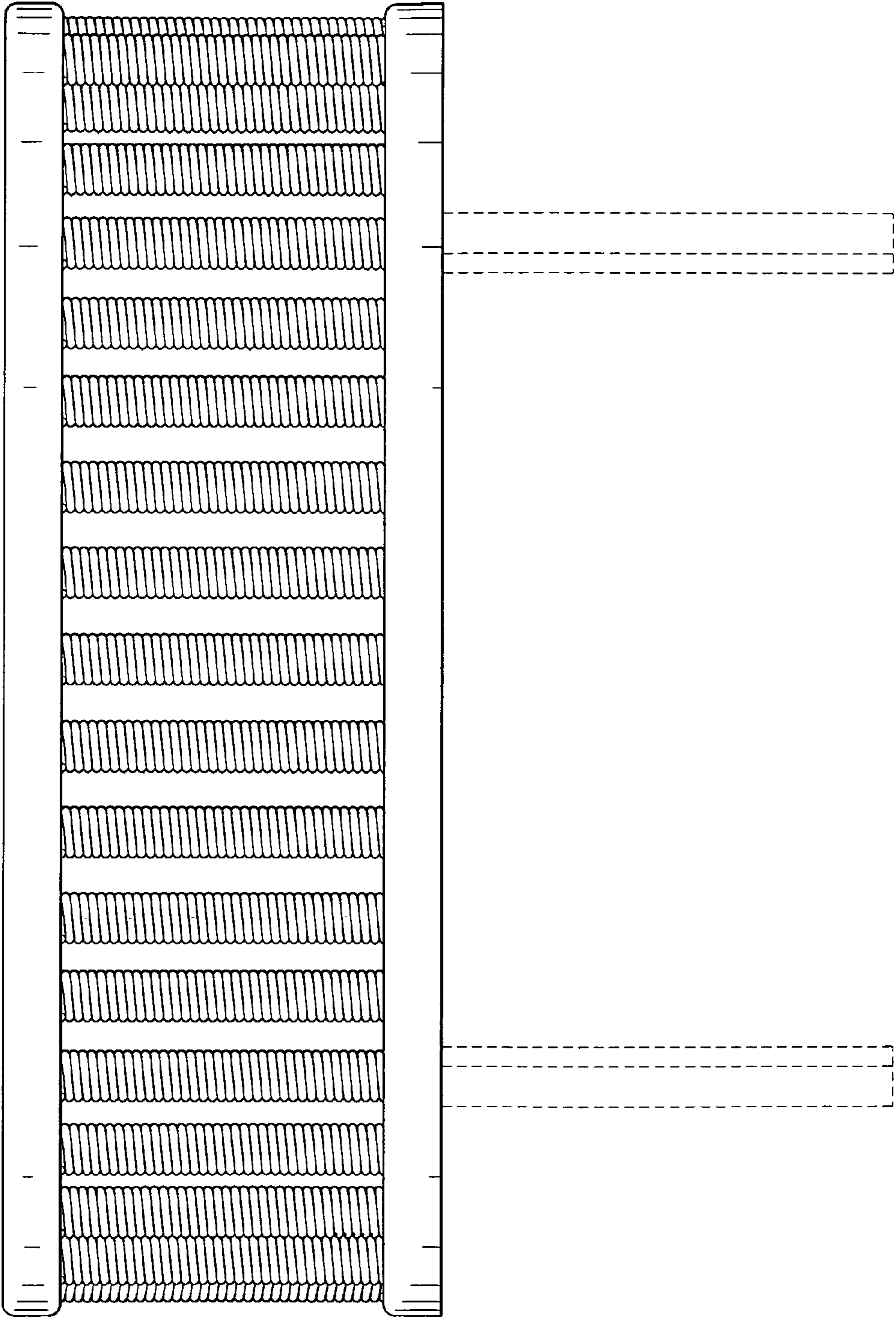


FIG. 2

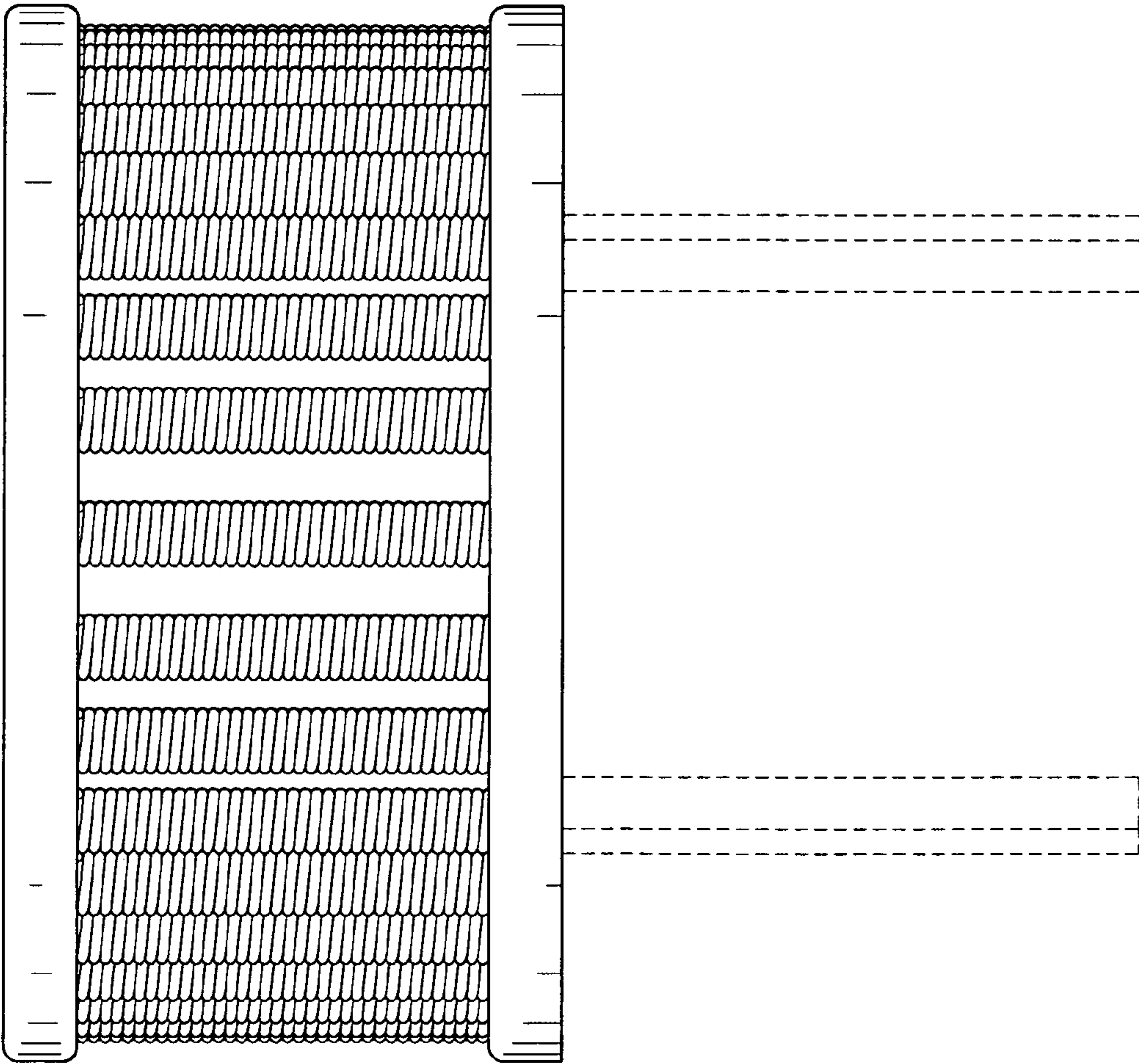


FIG. 3

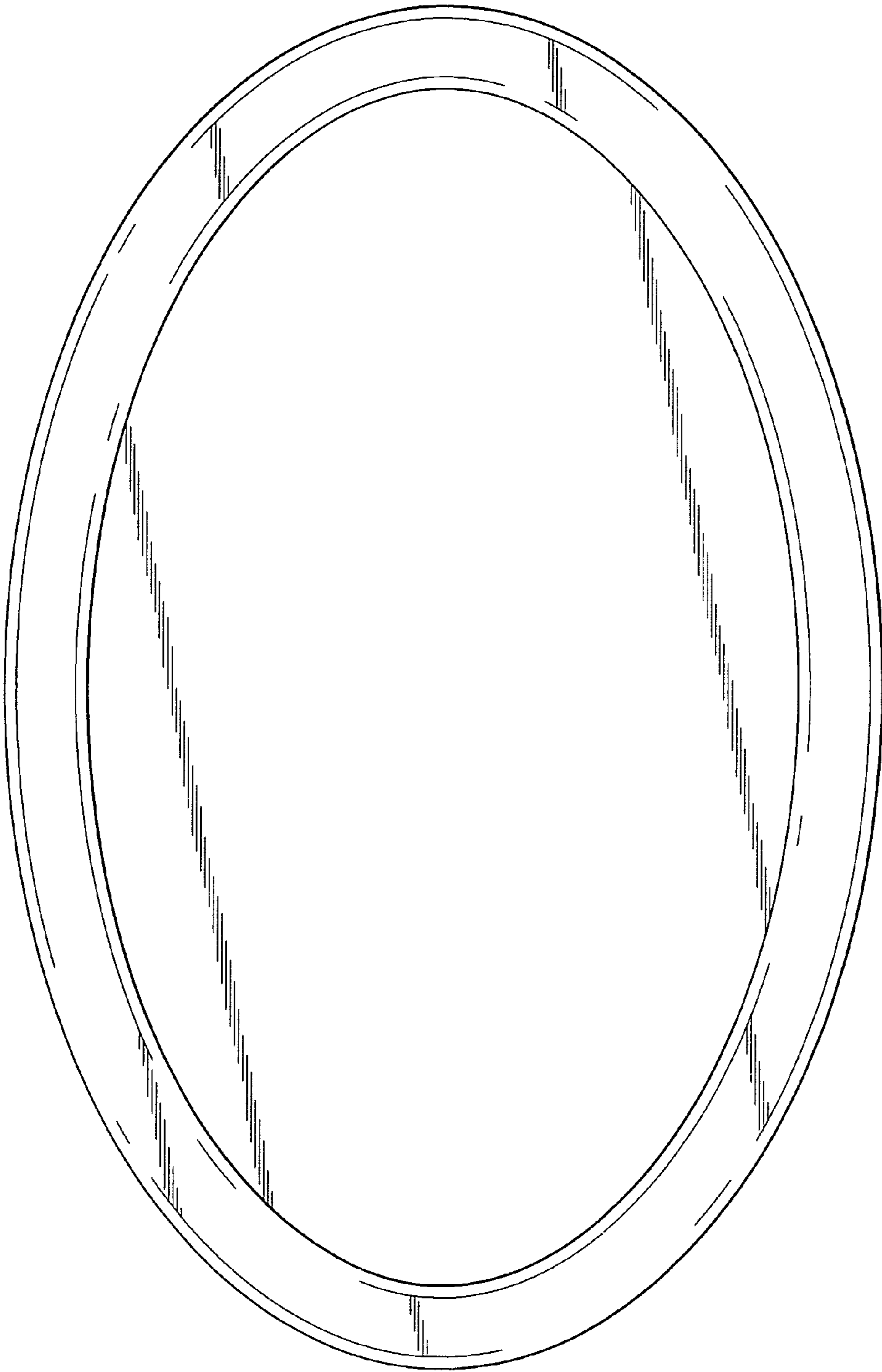


FIG. 4

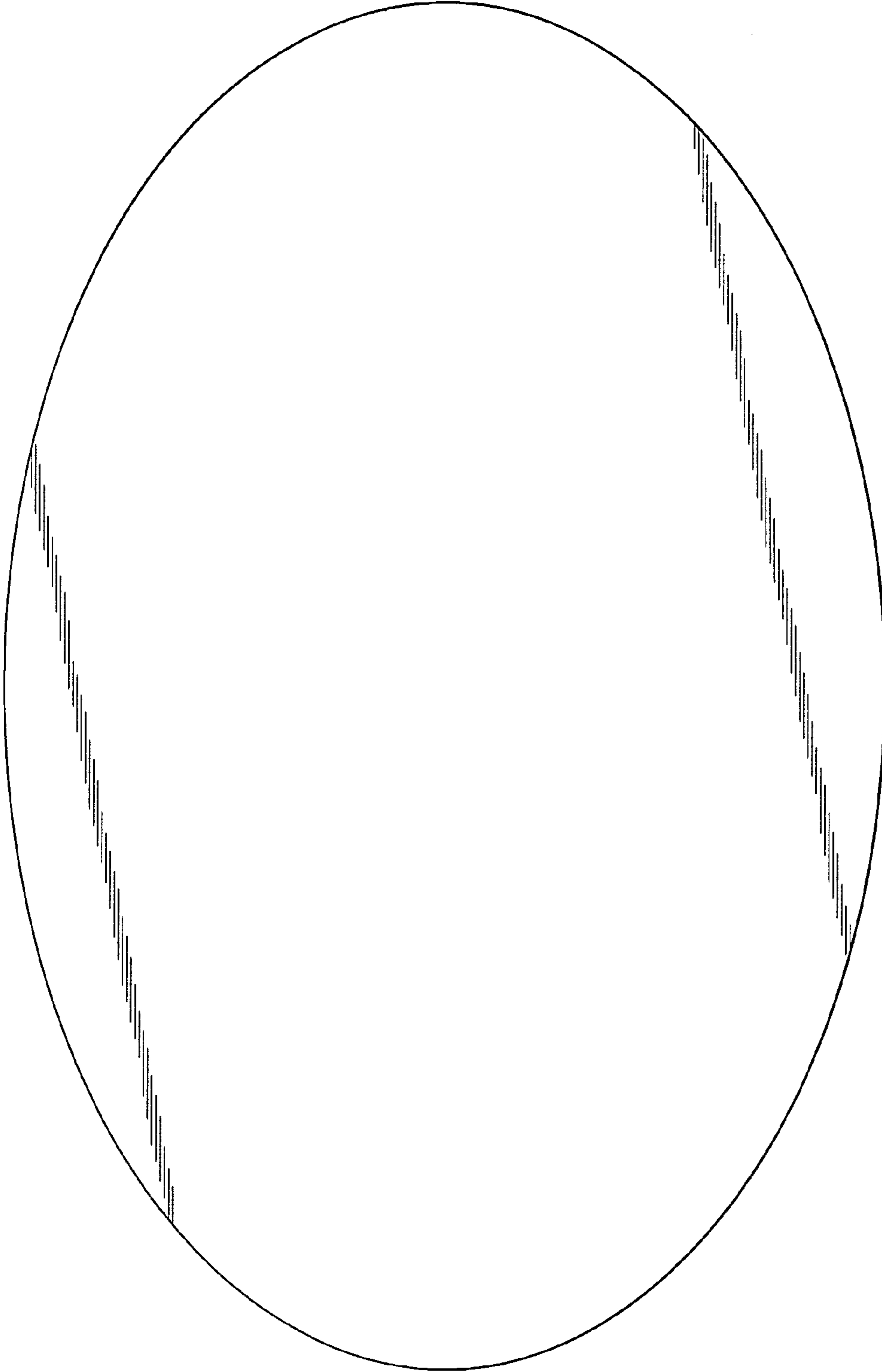


FIG. 5

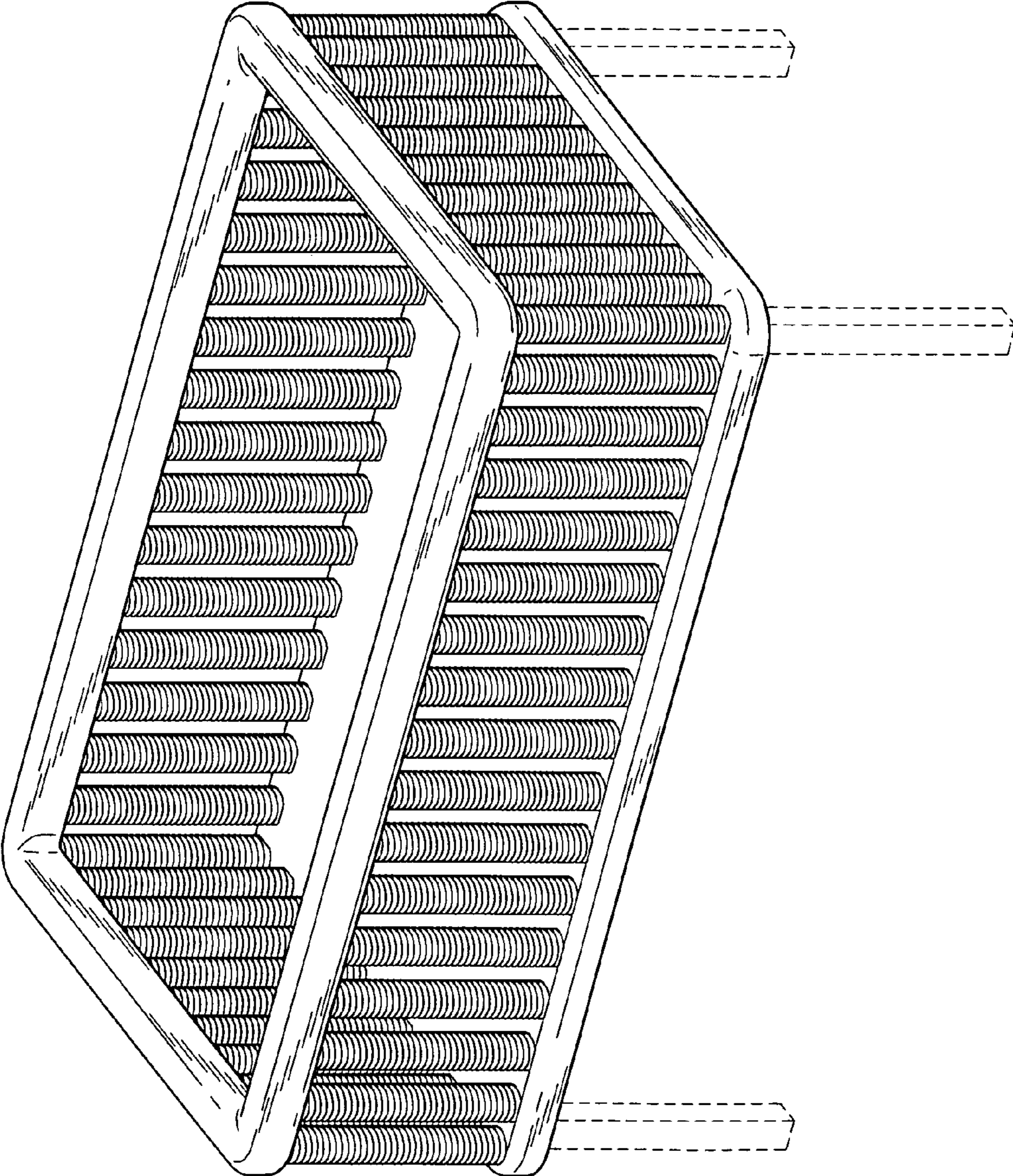


FIG. 6

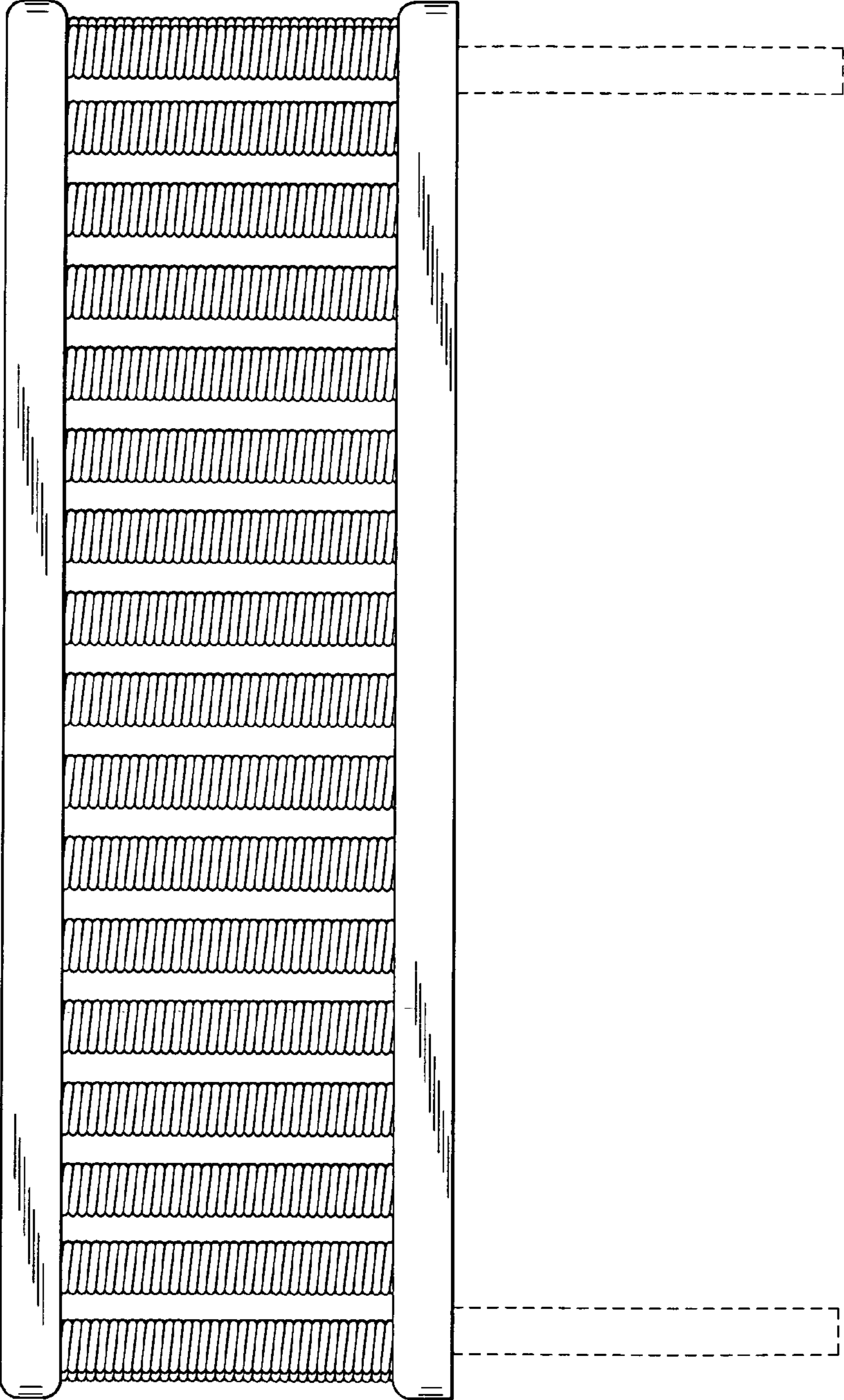


FIG. 7

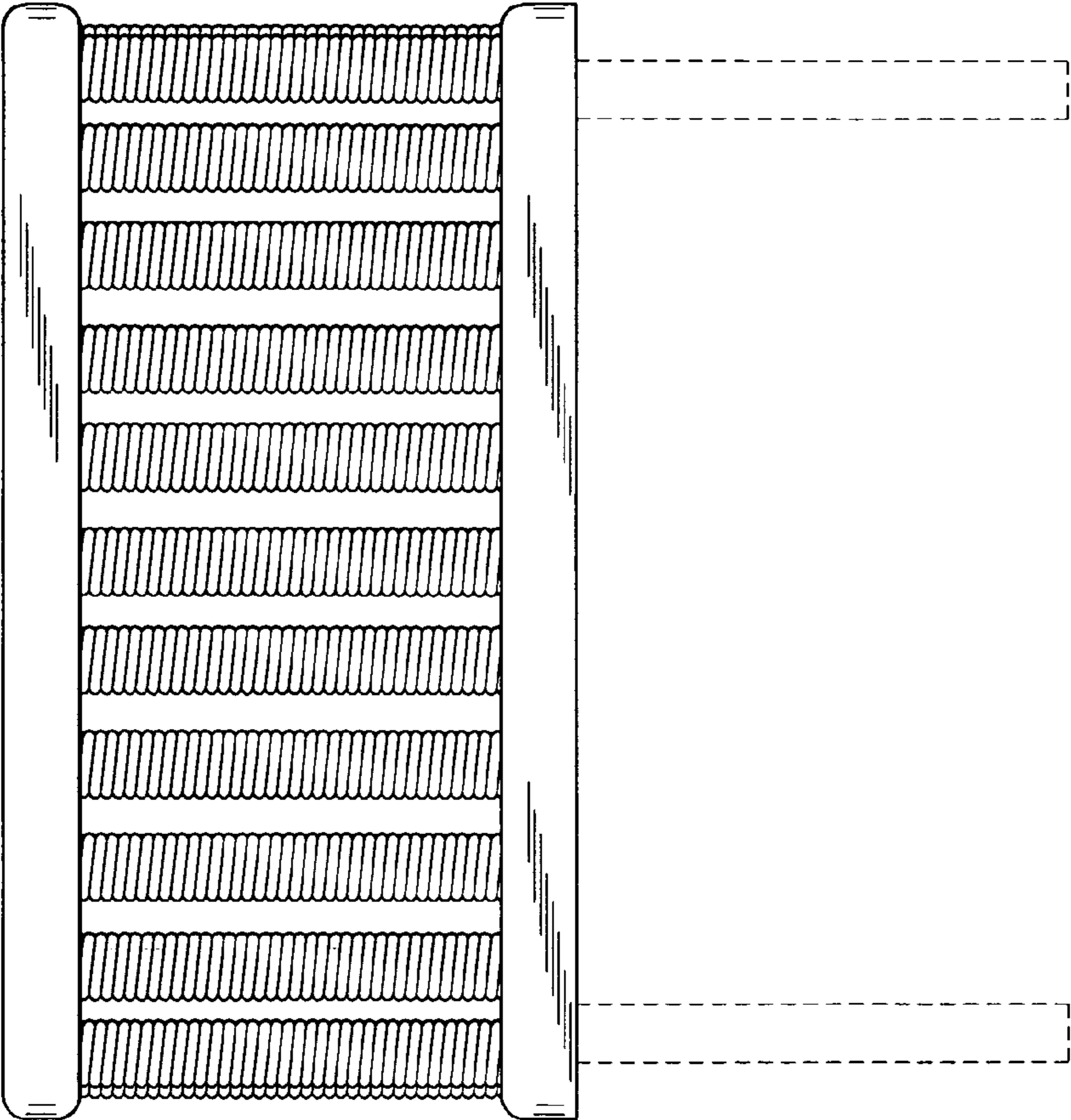


FIG. 8

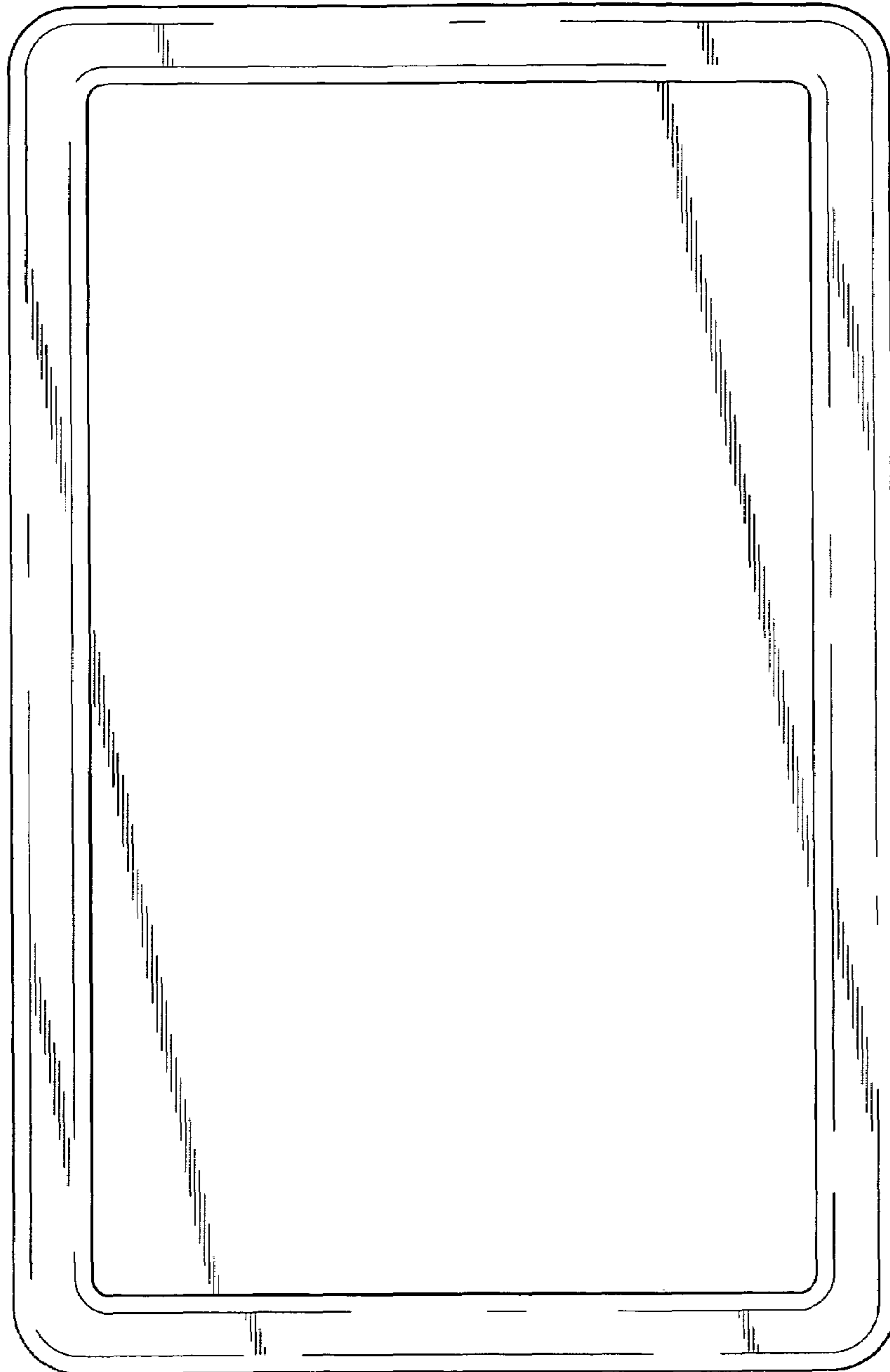


FIG. 9

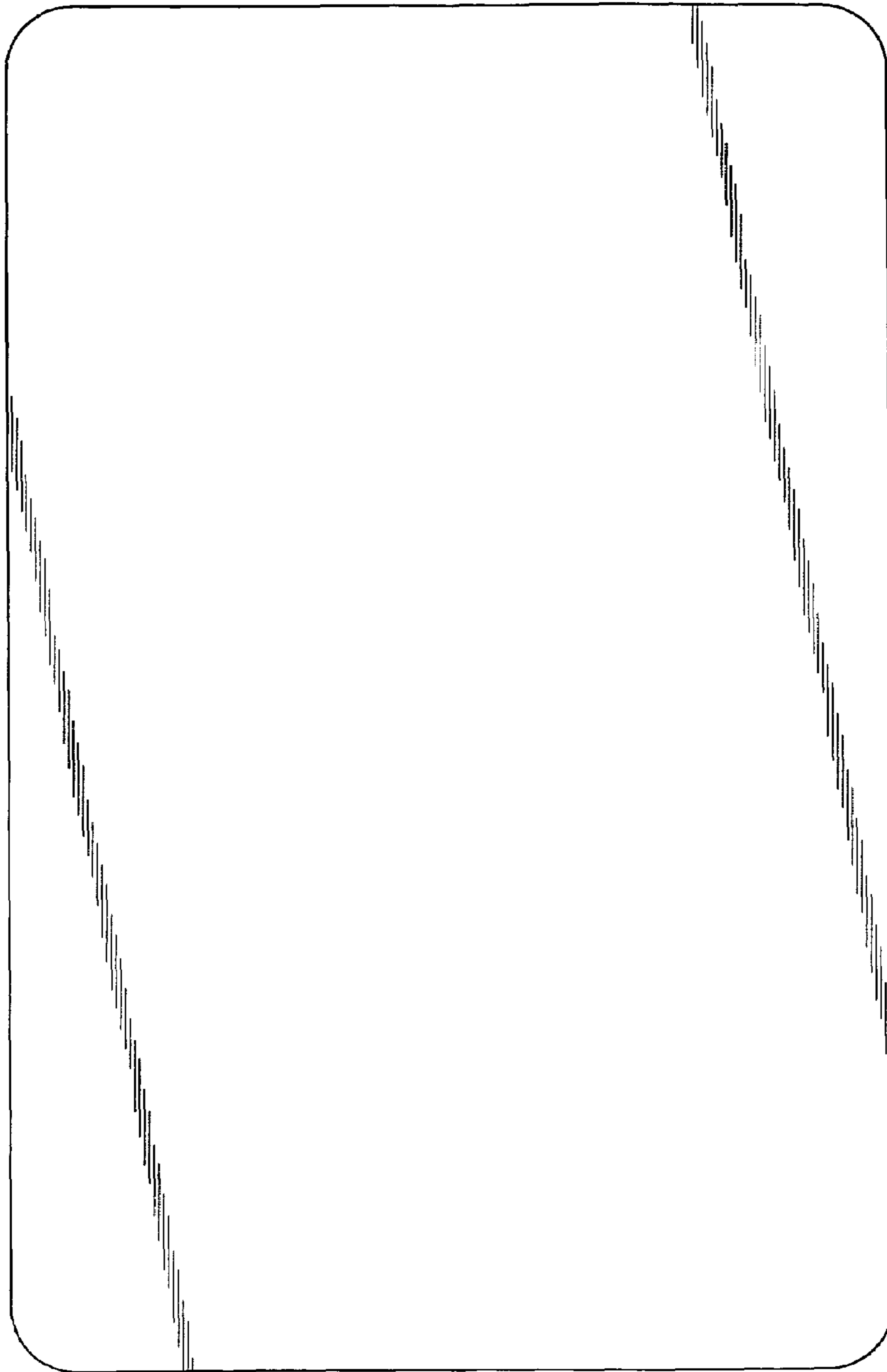


FIG. 10