



US00D613089S

(12) **United States Design Patent**
Domack et al.

(10) **Patent No.:** **US D613,089 S**
(45) **Date of Patent:** **** Apr. 6, 2010**

(54) **DINING CHAIR**

D600,036 S 9/2009 Domack et al.
D601,821 S 10/2009 Domack et al.

(75) Inventors: **Randy D. Domack**, Trempealeau, WI (US); **Terry A. Everson**, Blair, WI (US)

(73) Assignee: **Ashley Furniture Industries, Inc.**, Arcadia, WI (US)

(**) Term: **14 Years**

(21) Appl. No.: **29/316,477**

(22) Filed: **Oct. 1, 2009**

(51) **LOC (9) Cl.** **06-01**

(52) **U.S. Cl.** **D6/376; D6/380**

(58) **Field of Classification Search** D6/334-336,
D6/358, 369, 370, 374, 376, 379, 380, 499,
D6/500-502; 297/445.1, 446.1, 451.9, 452.63,
297/452.64

See application file for complete search history.

(56) **References Cited**

U.S. PATENT DOCUMENTS

D284,815 S *	7/1986	Shaw et al.	D6/376
D401,429 S	11/1998	Tseng		
D404,583 S *	1/1999	Muller	D6/370
D412,792 S *	8/1999	Mendoza	D6/358
D417,345 S	12/1999	Bell et al.		
D419,327 S *	1/2000	Muller	D6/376
D445,584 S	7/2001	O'Hare et al.		
D454,009 S	3/2002	Tseng		
D454,711 S	3/2002	Tseng		
D468,923 S	1/2003	O'Hare		
D485,694 S	1/2004	Tseng		
D486,655 S *	2/2004	Tseng	D6/365
D486,971 S *	2/2004	Tseng	D6/376
D502,612 S	3/2005	Tseng		
D514,344 S *	2/2006	Domack et al.	D6/376
D517,340 S *	3/2006	Tseng	D6/376
D517,825 S	3/2006	Domack et al.		
D524,567 S	7/2006	Vanderminde		
D526,500 S *	8/2006	Everson et al.	D6/376
D526,501 S *	8/2006	Tseng	D6/376
D526,503 S *	8/2006	Chen	D6/376

OTHER PUBLICATIONS

Ashley D187-01, "Charade", ©2004, 1 Pg.
Ashley D341-01, "Rizzlow", ©2006, 1 Pg.
Ashley D223-01, Prior to Oct. 1, 2009, 1 Pg.

(Continued)

Primary Examiner—Mimosa De

(74) *Attorney, Agent, or Firm*—Patterson, Thuente, Skaar & Christensen, P.A.

(57) **CLAIM**

We claim the ornamental design for a dining chair, as shown and described.

DESCRIPTION

FIG. 1 is a front corner perspective view of a dining chair of the invention. The view from the adjacent front corner being a mirror image thereof.

FIG. 2 is a front elevational view of a dining chair of the invention.

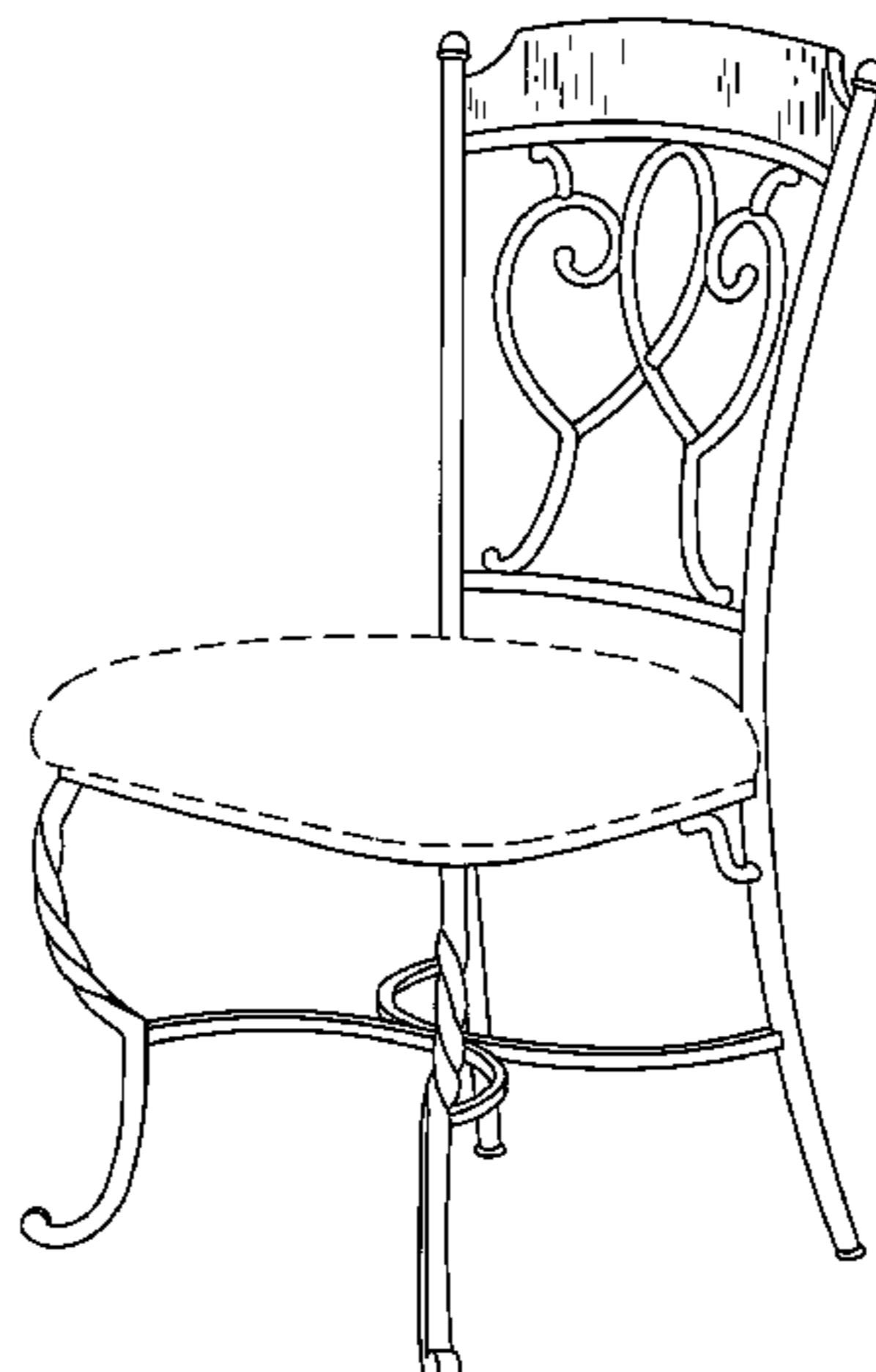
FIG. 3 is a side elevational view of a dining chair of the invention. The view from the opposite side being a mirror image thereof.

FIG. 4 is a rear elevational view of a dining chair of the invention; and,

FIG. 5 is a top plan view of a dining chair of the invention.

The portions of the figures shown in dashed lines are for illustrative purposes only and form no part of the claimed invention.

1 Claim, 5 Drawing Sheets



OTHER PUBLICATIONS

Ashley D211-01, "*Capetown*", Prior to Oct. 1, 2009, 1 Pg.
Ashley D236-01, "*Bryant*", ©2004, 1 Pg.
Ashley D253-01, "*Danbury*", ©2008, 1 Pg.
D445-15-04(4)-76 *St. Lauret*, Ashley Furniture Catalog, vol. 6,
Series 1, 2004, p. 370.

D327-15-01(4)-80-81 *Ville Marie*, Ashley Furniture Catalog, vol. 6,
Series 1, 2004, p. 146.

D533-25-01(6)-60 *Port Rouge*, Ashley Furniture Catalog, vol. 7,
Series 1, Spring 2005, p. 471.

* cited by examiner

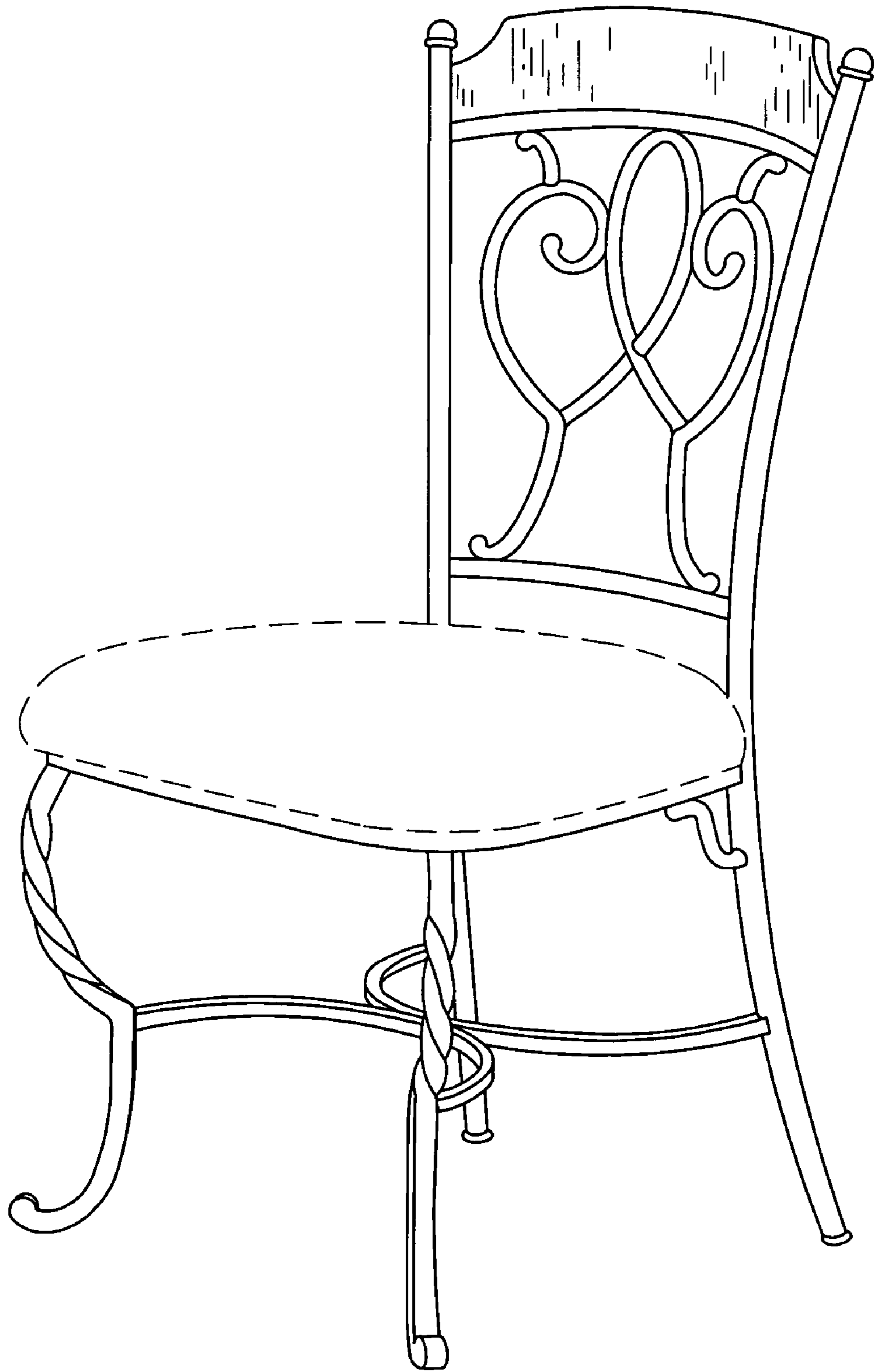


Fig. 1

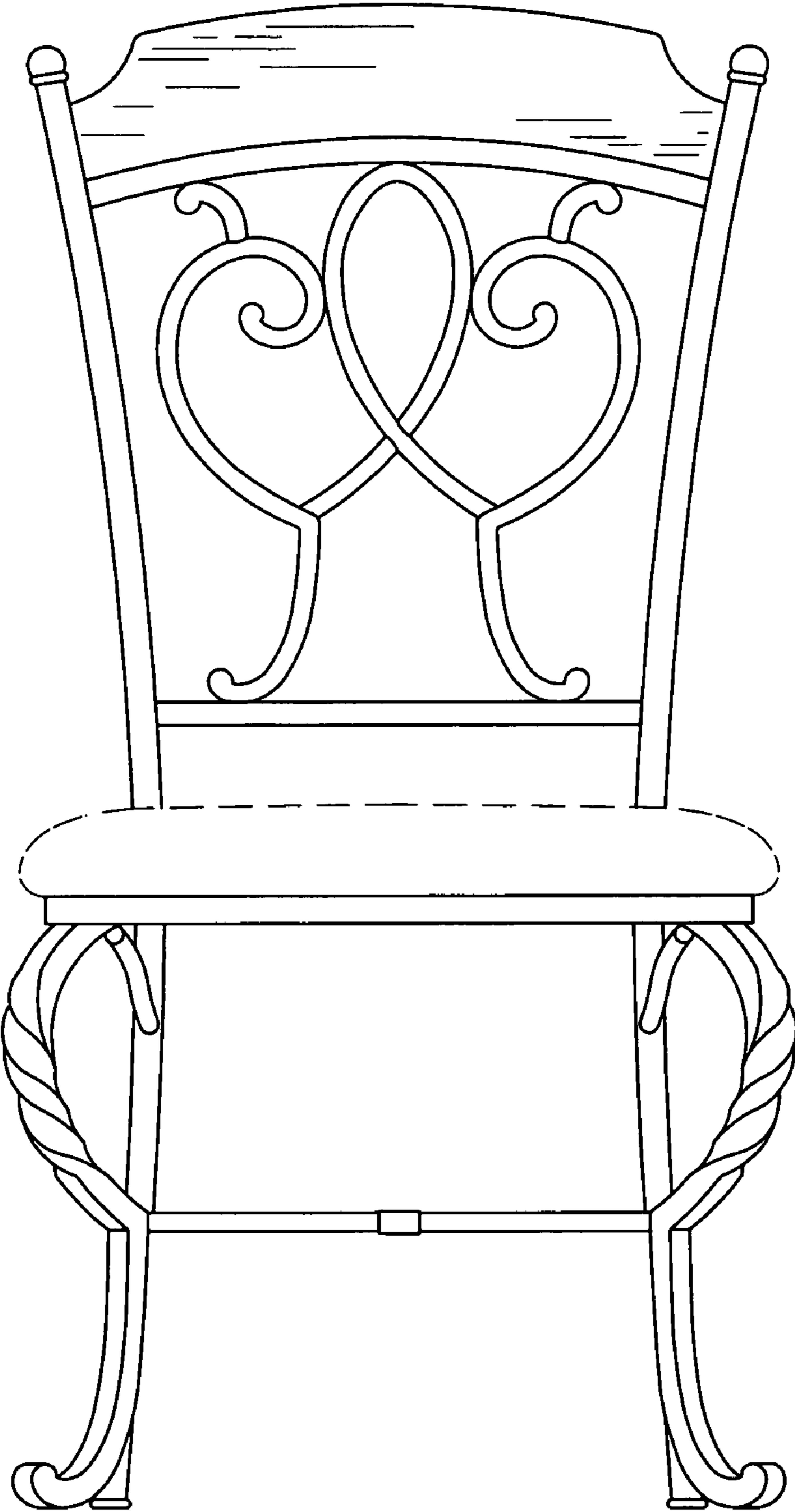


Fig. 2

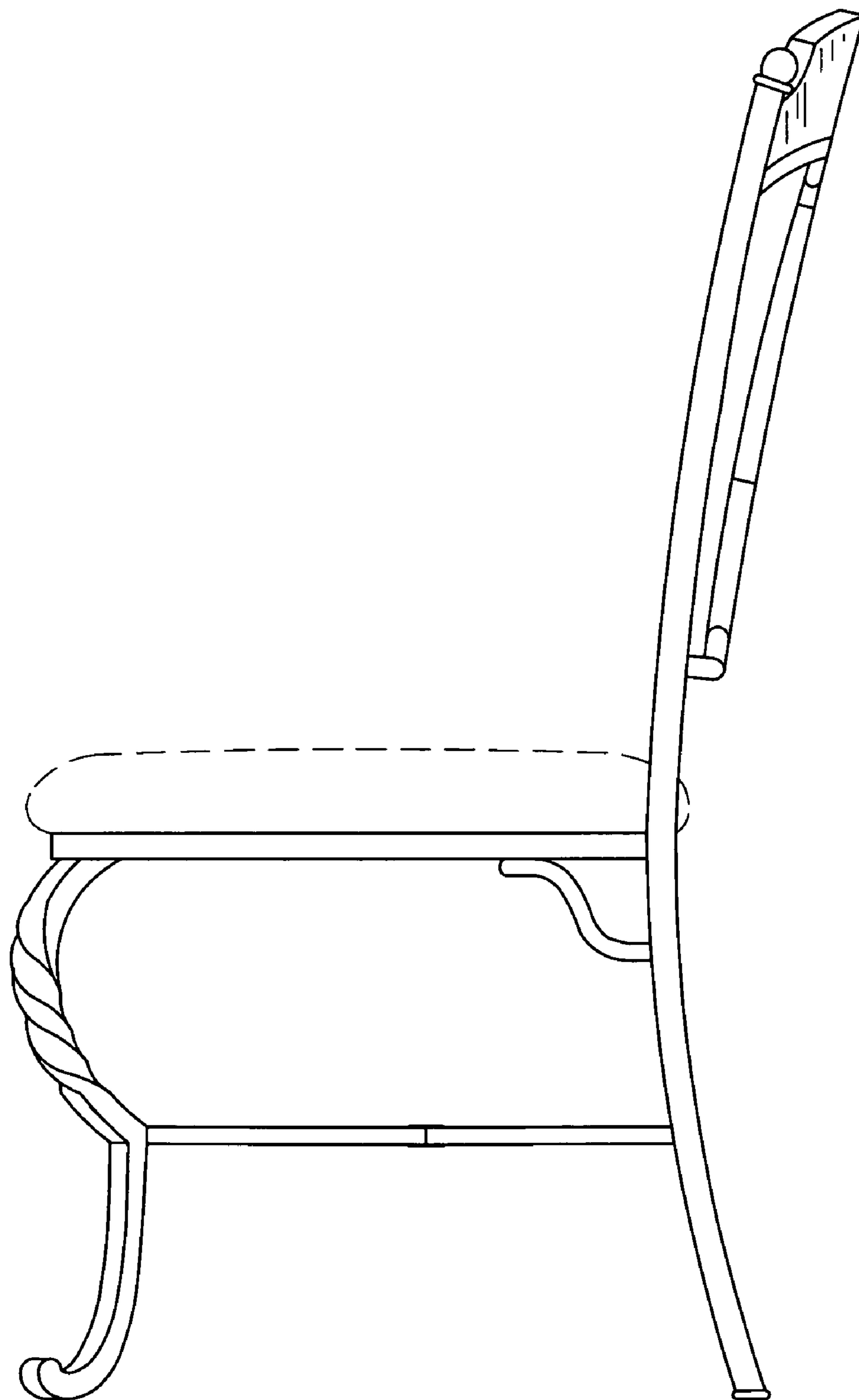


Fig. 3

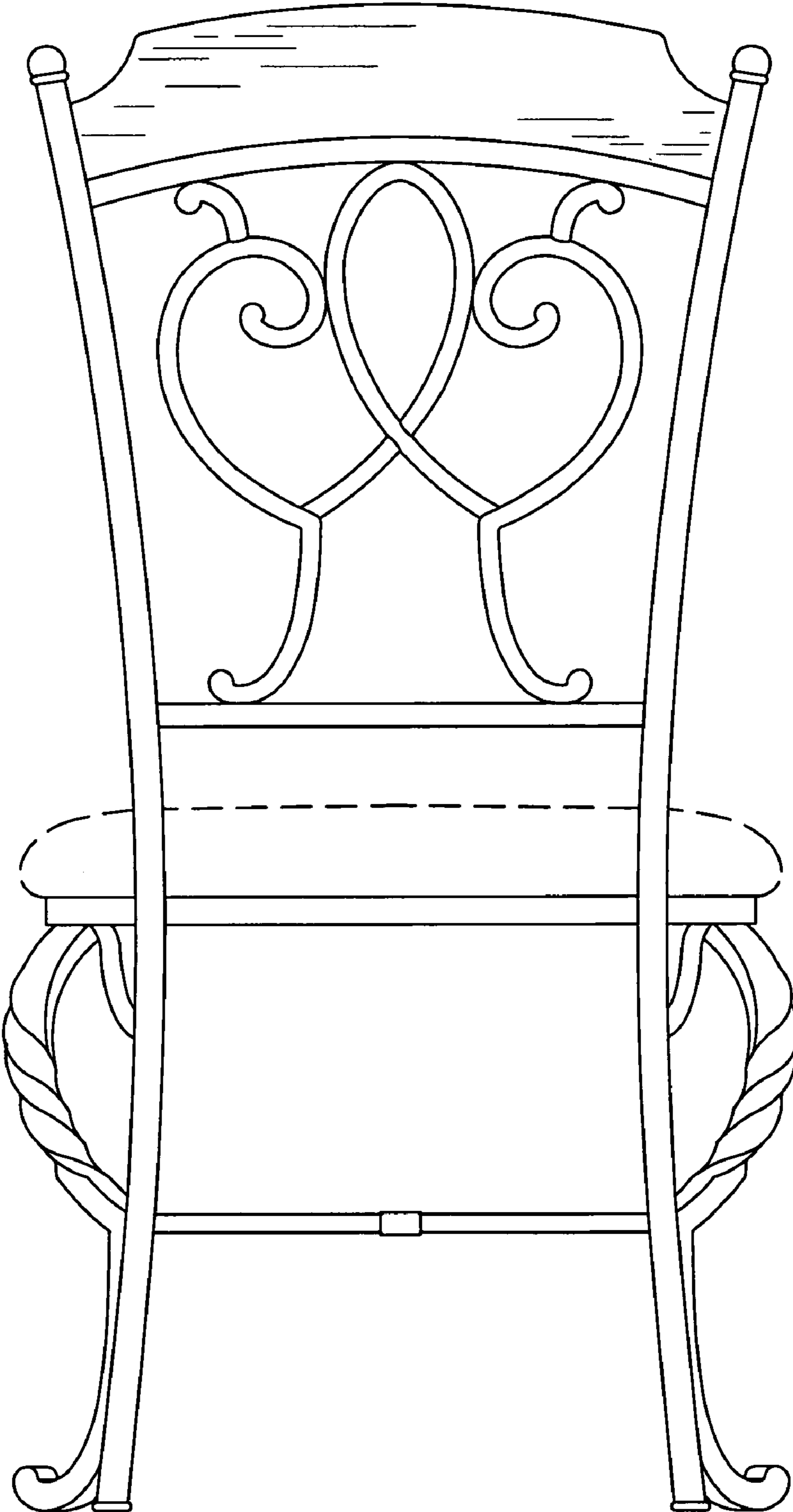


Fig. 4

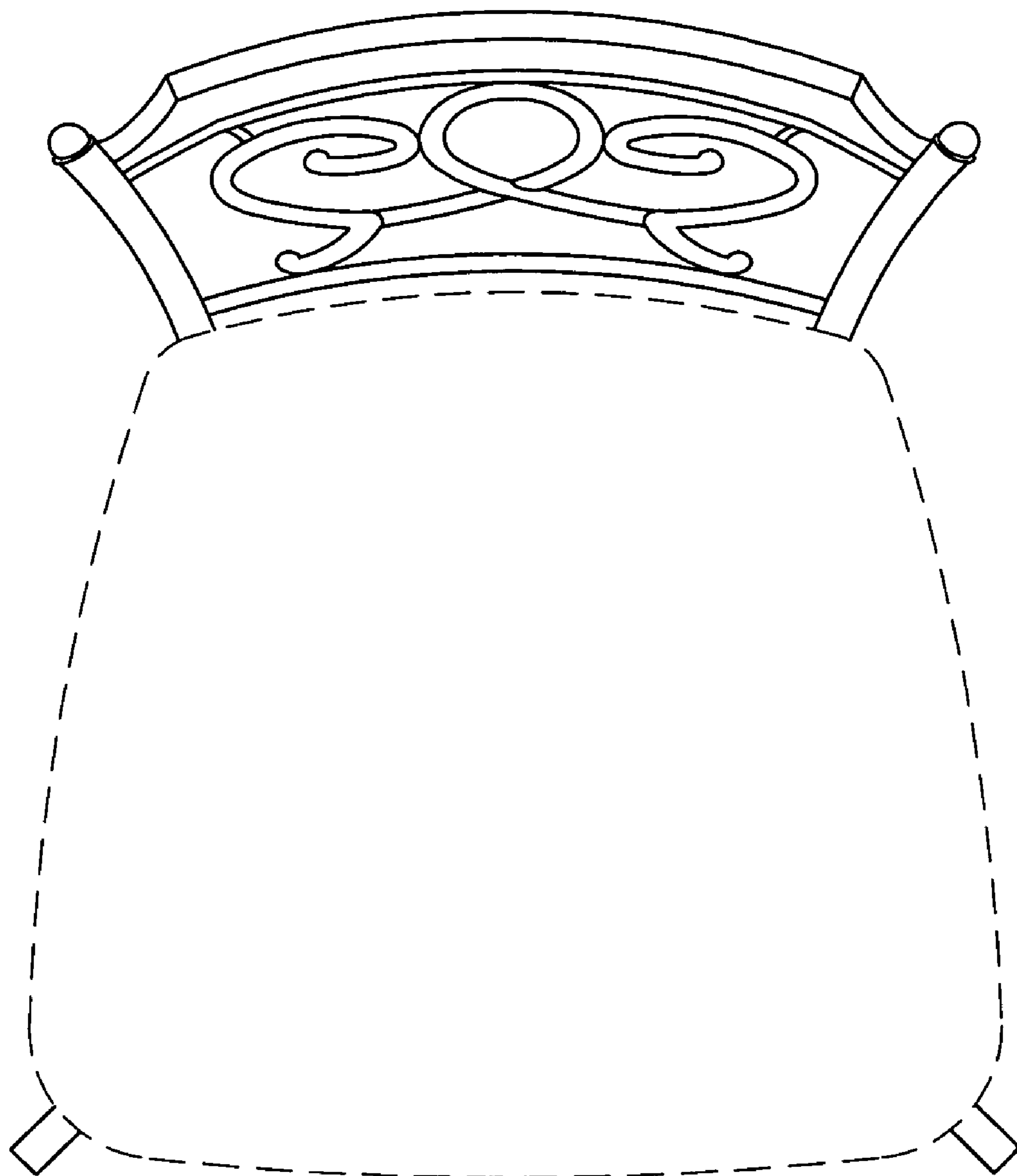


Fig. 5