



US00D613086S

(12) **United States Design Patent**
Fujita

(10) **Patent No.:** **US D613,086 S**
(45) **Date of Patent:** **** Apr. 6, 2010**

(54) **CHAIR**

D559,572 S * 1/2008 Igarashi D6/366
D567,521 S * 4/2008 Igarashi D6/366

(75) Inventor: **Hisato Fujita**, Kanagawa (JP)

(73) Assignee: **Okamura Corporation**, Yokohama (JP)

(**) Term: **14 Years**

(21) Appl. No.: **29/345,094**

(22) Filed: **Oct. 9, 2009**

(30) **Foreign Application Priority Data**

Apr. 24, 2009 (JP) 2009-009587

(51) **LOC (9) Cl.** **06-01**

(52) **U.S. Cl.** **D6/366**

(58) **Field of Classification Search** D6/334-336,
D6/364, 365, 366, 367, 369, 379, 380, 498,
D6/500-502; 297/411.2, 411.27, 411.36,
297/452.13, 452.21, 452.29, 452.35, 452.3,
297/452.64

See application file for complete search history.

(56) **References Cited**

U.S. PATENT DOCUMENTS

D527,920 S * 9/2006 Giugiaro D6/366
D528,811 S * 9/2006 Giugiaro D6/366
D540,079 S * 4/2007 Bock D6/502
D548,992 S * 8/2007 Koepke et al. D6/366
D549,977 S * 9/2007 Koepke et al. D6/366
D558,995 S * 1/2008 Igarashi D6/366
D559,571 S * 1/2008 Meda D6/366

FOREIGN PATENT DOCUMENTS

JP D1369148 S 9/2009

OTHER PUBLICATIONS

U.S. Appl. No. 29/334,939, Hisato Fujita, filed Apr. 6, 2009.
U.S. Appl. No. 29/334,944, Hisano Fujita, filed Apr. 6, 2009.

* cited by examiner

Primary Examiner—Mimosa De

(74) *Attorney, Agent, or Firm*—Sughrue Mion, PLLC

(57) **CLAIM**

The ornamental design for a chair, as shown and described.

DESCRIPTION

FIG. 1 is a perspective view from the front side of a chair.

FIG. 2 is a perspective view from the rear side thereof.

FIG. 3 is a front elevation view thereof.

FIG. 4 is a rear elevation view thereof.

FIG. 5 is a right side elevation view thereof.

FIG. 6 is a left side elevation view thereof.

FIG. 7 is a top plan view thereof; and,

FIG. 8 is a bottom plan view thereof.

1 Claim, 8 Drawing Sheets





FIG. 1



FIG.2



FIG. 3



FIG.4



FIG. 5



FIG. 6

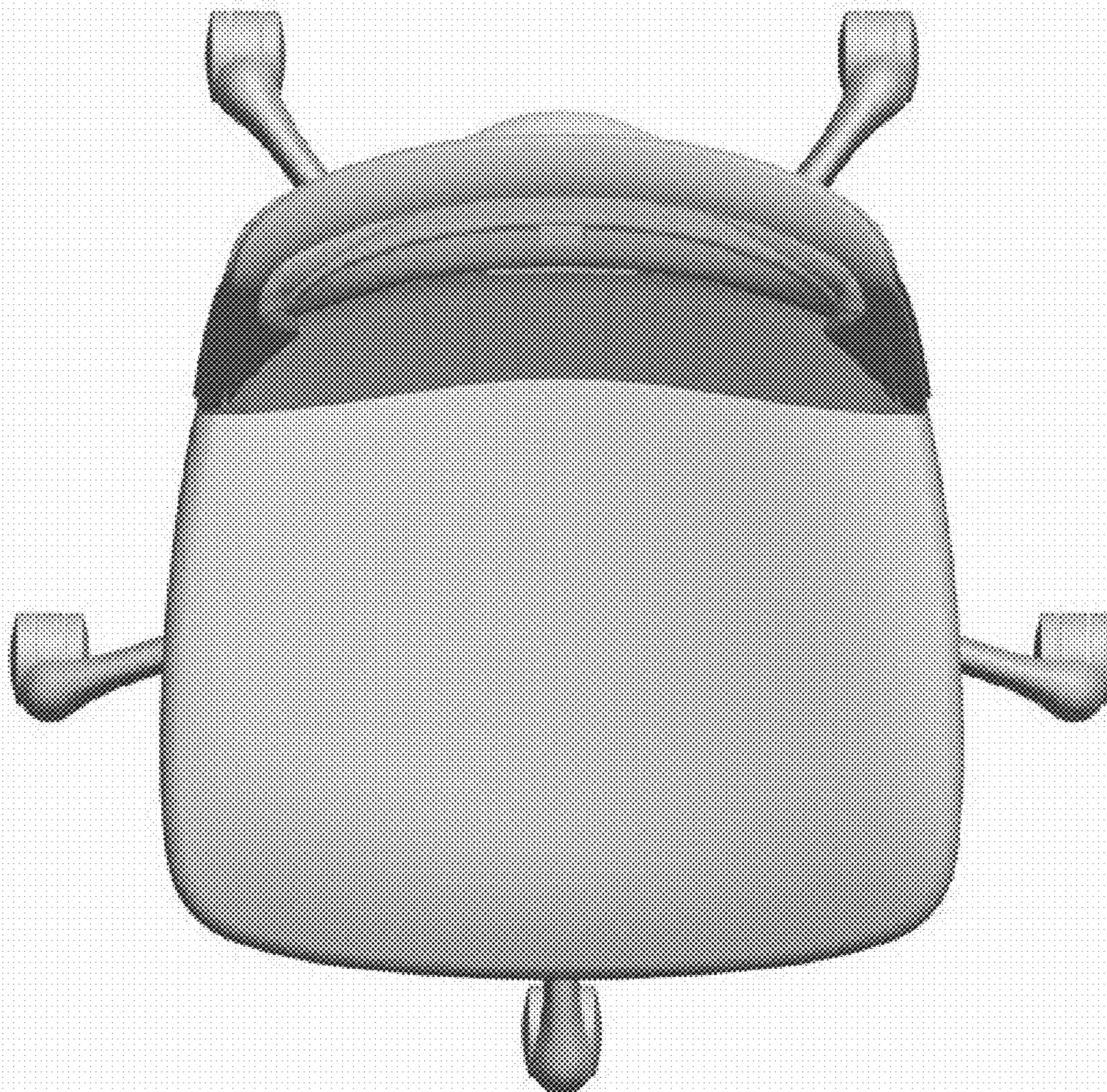


FIG. 7

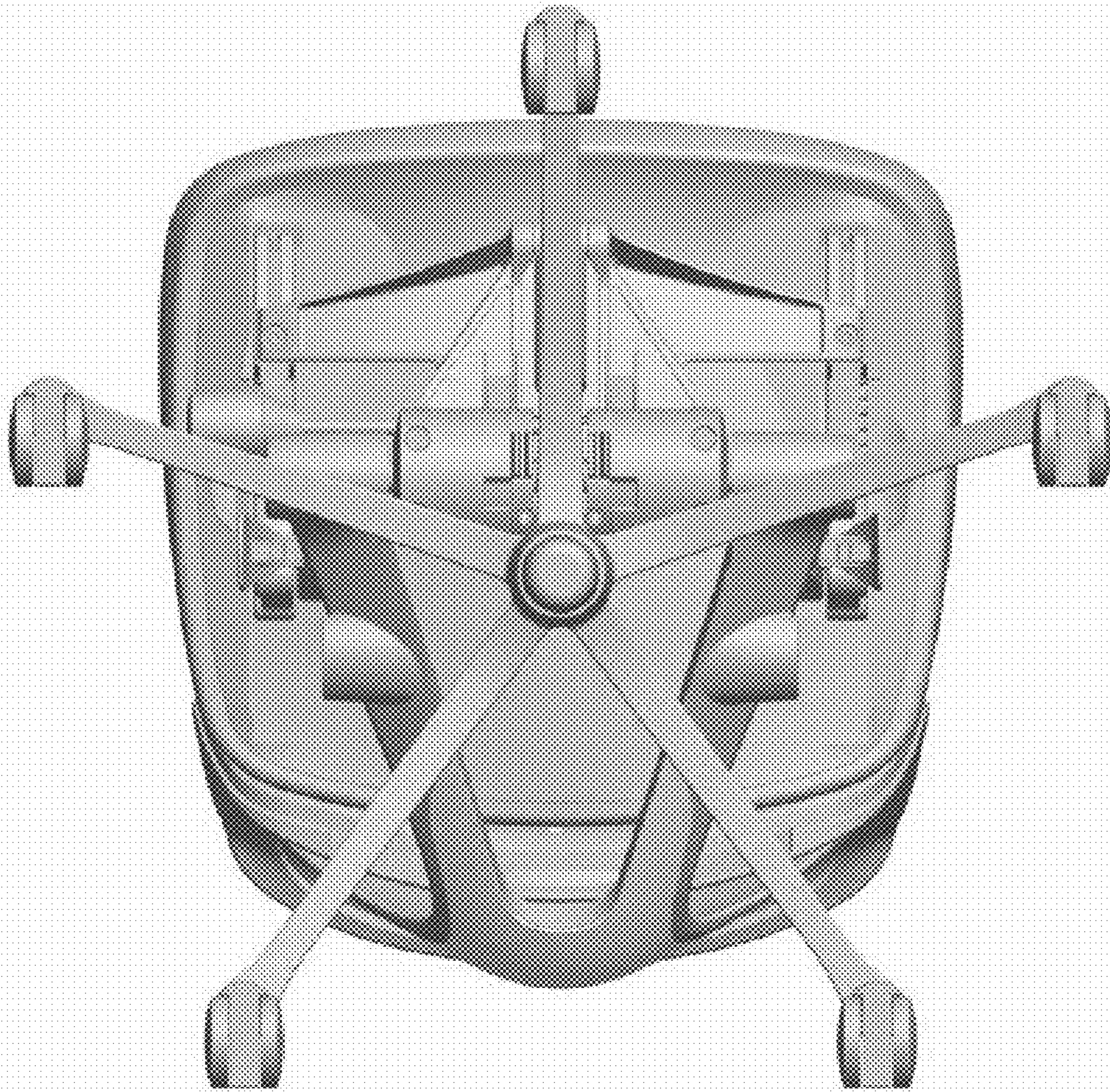


FIG. 8