



US00D613081S

(12) **United States Design Patent**
Poran

(10) **Patent No.:** **US D613,081 S**

(45) **Date of Patent:** **** Apr. 6, 2010**

(54) **BABY SEAT**

D421,343 S * 3/2000 Bennardo D6/333
D424,312 S * 5/2000 Hotaling et al. D6/333
D557,022 S * 12/2007 Desnos D6/333

(75) Inventor: **Iftah Poran**, Golan Heights (IL)

* cited by examiner

(73) Assignee: **Kids-Kit Cooperative Society Ltd.**,
Upper Galilee (IL)

Primary Examiner—Sandra Snapp

(**) Term: **14 Years**

(74) *Attorney, Agent, or Firm*—Oliff & Berridge, PLC

(21) Appl. No.: **29/333,106**

(57) **CLAIM**

(22) Filed: **Mar. 3, 2009**

The ornamental design for a baby seat, as shown and described.

(30) **Foreign Application Priority Data**

DESCRIPTION

Sep. 3, 2008 (EM) 000996087-0001

FIG. 1 is a front perspective view at first position of a baby seat showing a new design;

(51) **LOC (9) Cl.** **06-01**

FIG. 2 is a side view at first position of the baby seat showing the new design; the other side being a mirror image;

(52) **U.S. Cl.** **D6/339**

FIG. 3 is a front view at first position of the baby seat showing the new design;

(58) **Field of Classification Search** D6/333,
D6/335, 339, 491, 500–502; D12/129; D21/412,
D21/419; 280/30, 31; 5/94, 98.1, 99.1, 101,
5/102, 105, 655; 297/183.1, 183.2, 183.3,
297/183.4, 184.13, 184.15, 184.17, 250.1,
297/255, 256.1, 256.15, 256.16; 24/200,
24/211

See application file for complete search history.

FIG. 4 is a rear view at first position of the baby seat showing the new design;

(56) **References Cited**

U.S. PATENT DOCUMENTS

D356,689 S * 3/1995 Mariol D6/333
D364,746 S * 12/1995 Lerner et al. D6/339
D367,368 S * 2/1996 Drane D6/339
D374,125 S * 10/1996 Bernstein et al. D6/333
D383,911 S * 9/1997 Conforti et al. D6/333
D419,311 S * 1/2000 Maggeni et al. D6/333

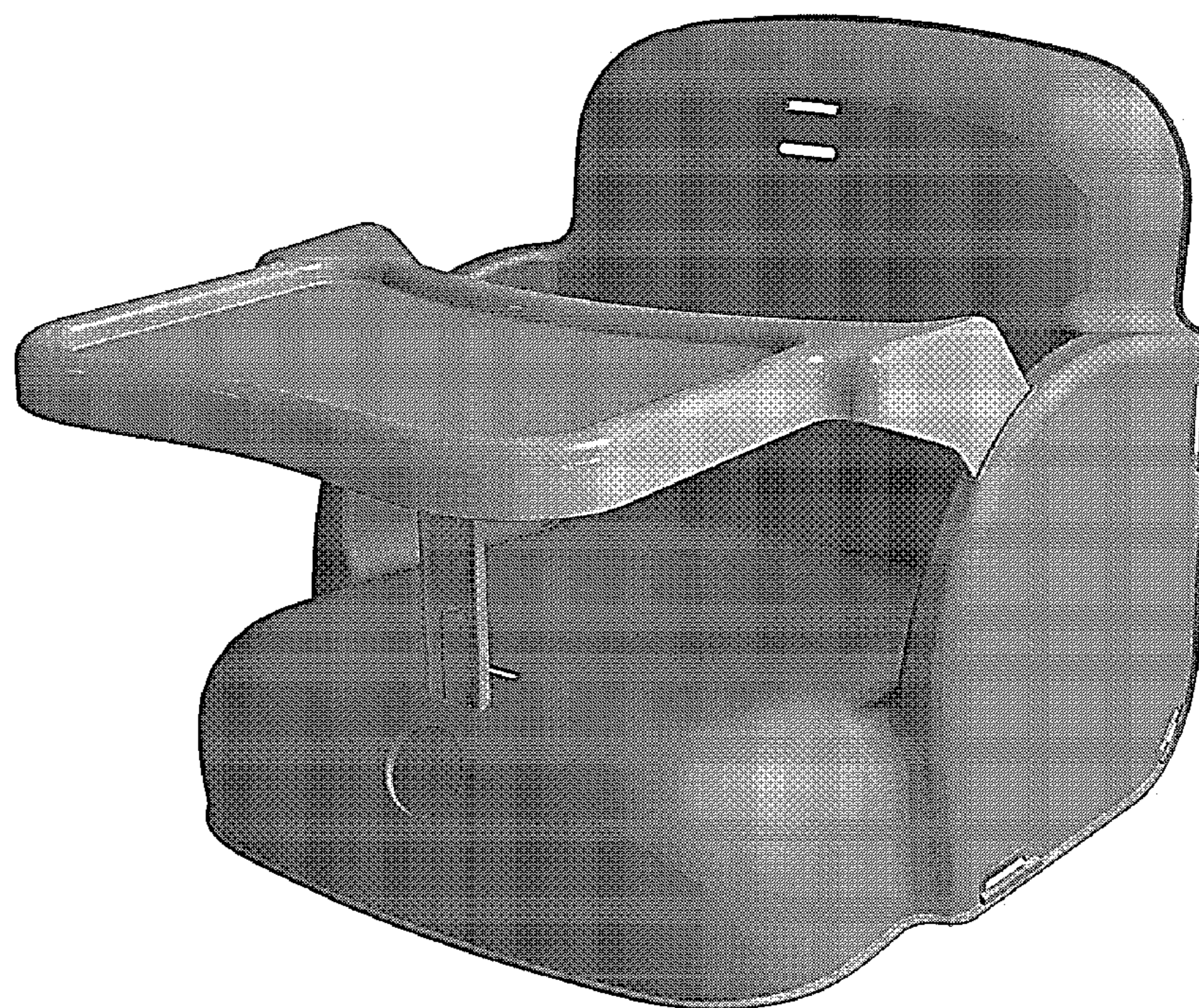
FIG. 5 is a bottom view at first position of the baby seat showing the new design;

FIG. 6 is a front perspective view at second position of the baby seat showing the new design; and,

FIG. 7 is a top view at second position of the baby seat showing the new design.

The areas of the drawings shown in light gray tone and outlined in dotted lines are for illustrative purposes only and form no part of the claimed design.

1 Claim, 7 Drawing Sheets



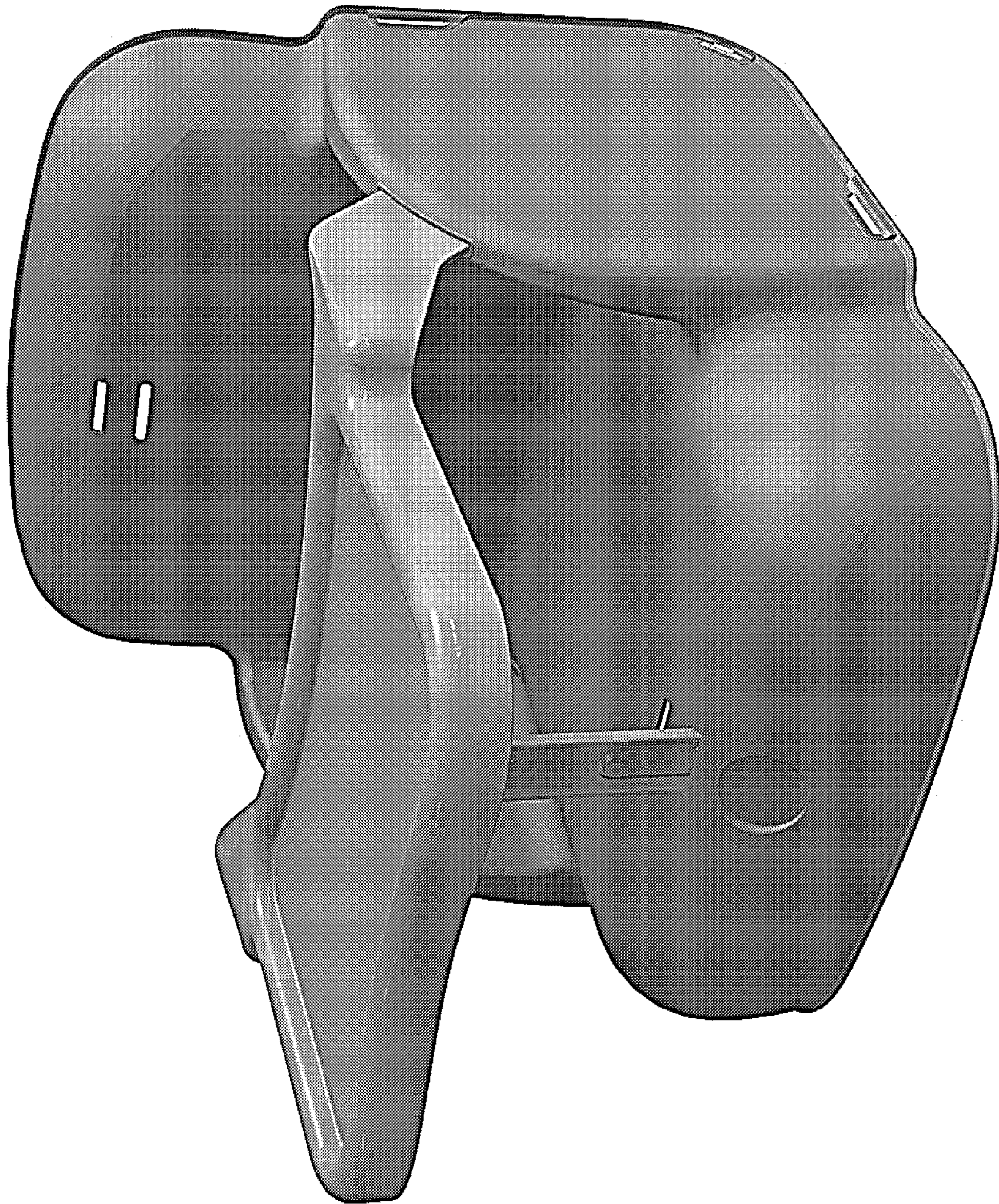


FIG. 1

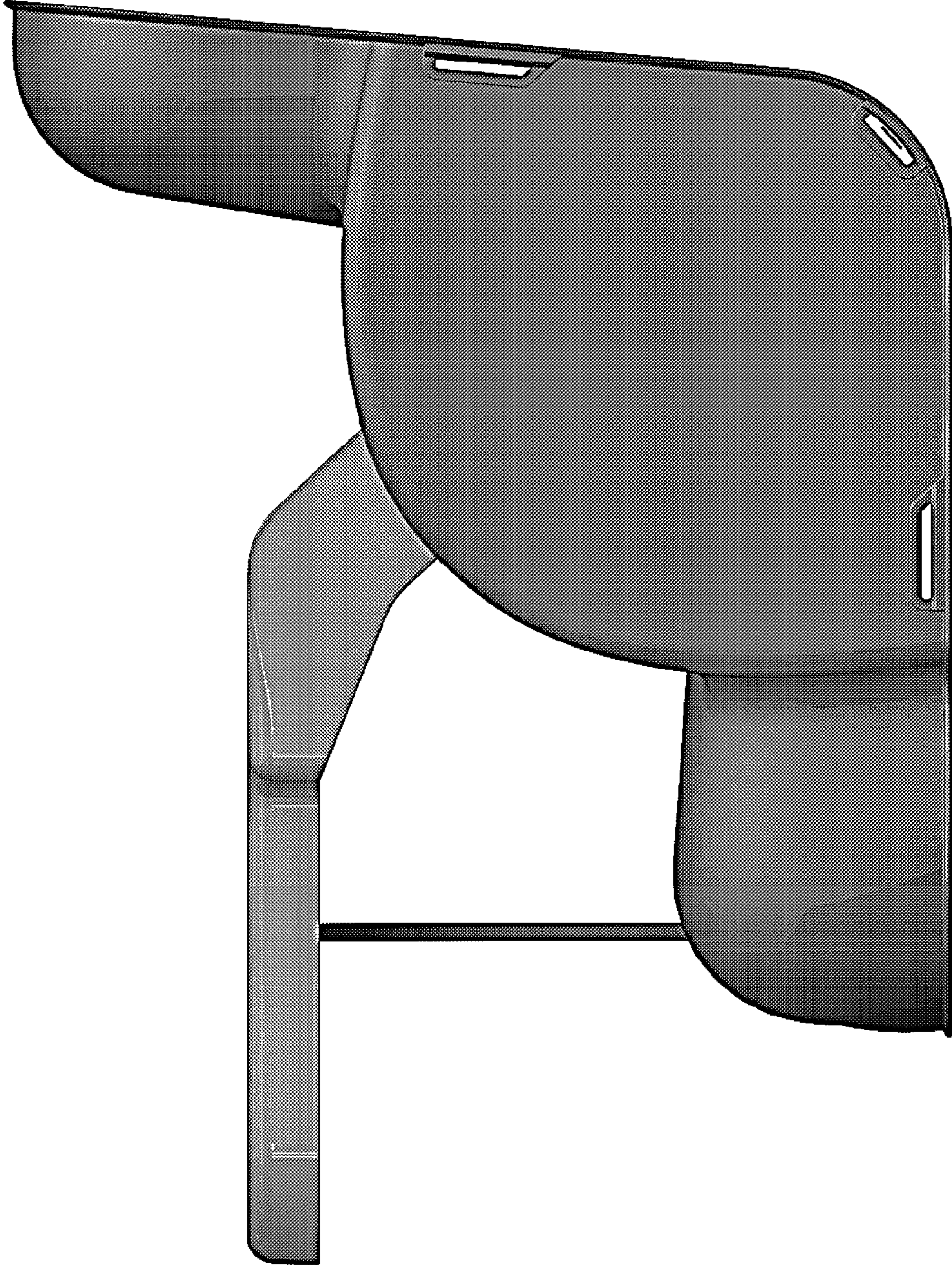


FIG. 2

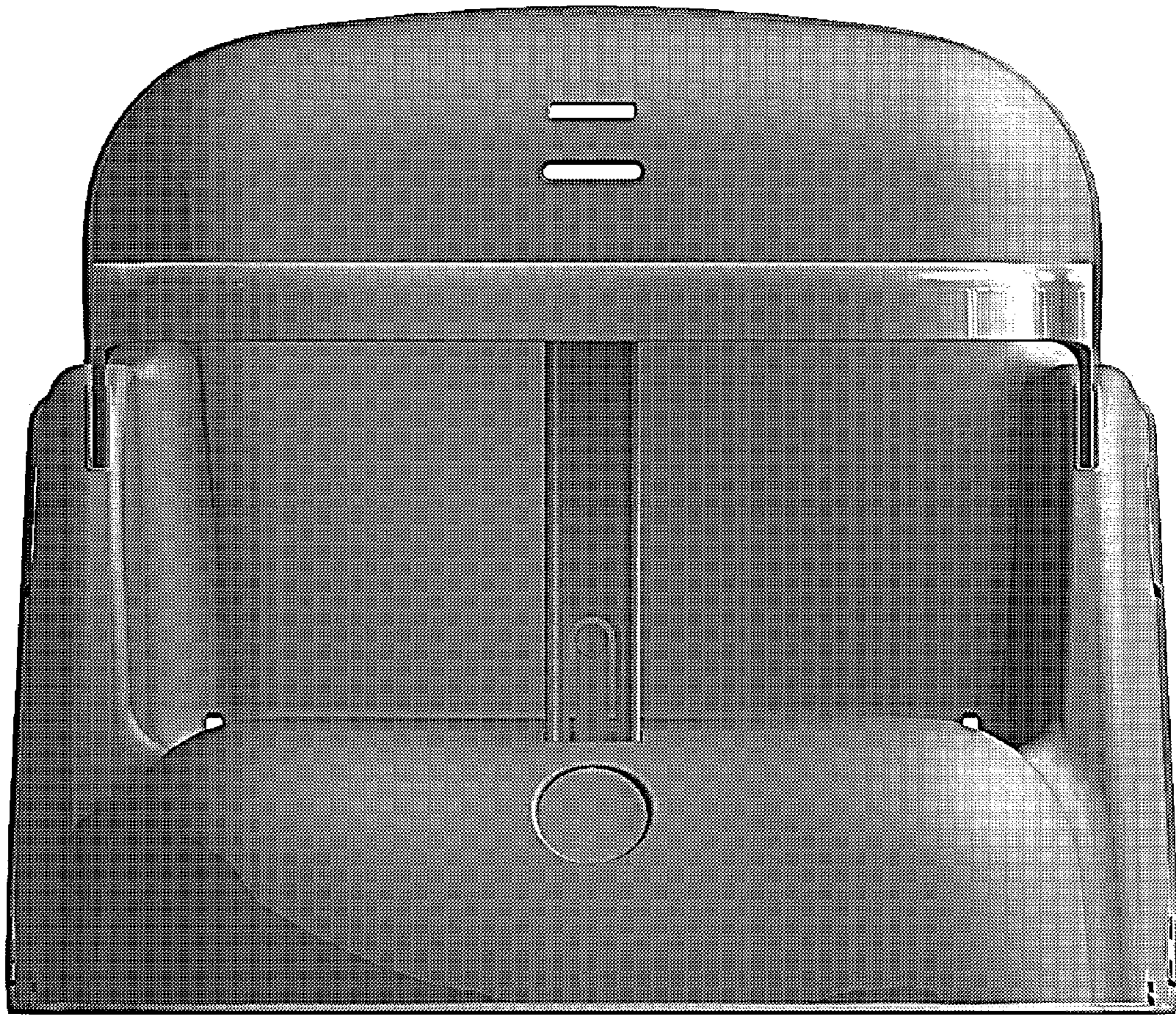


FIG. 3

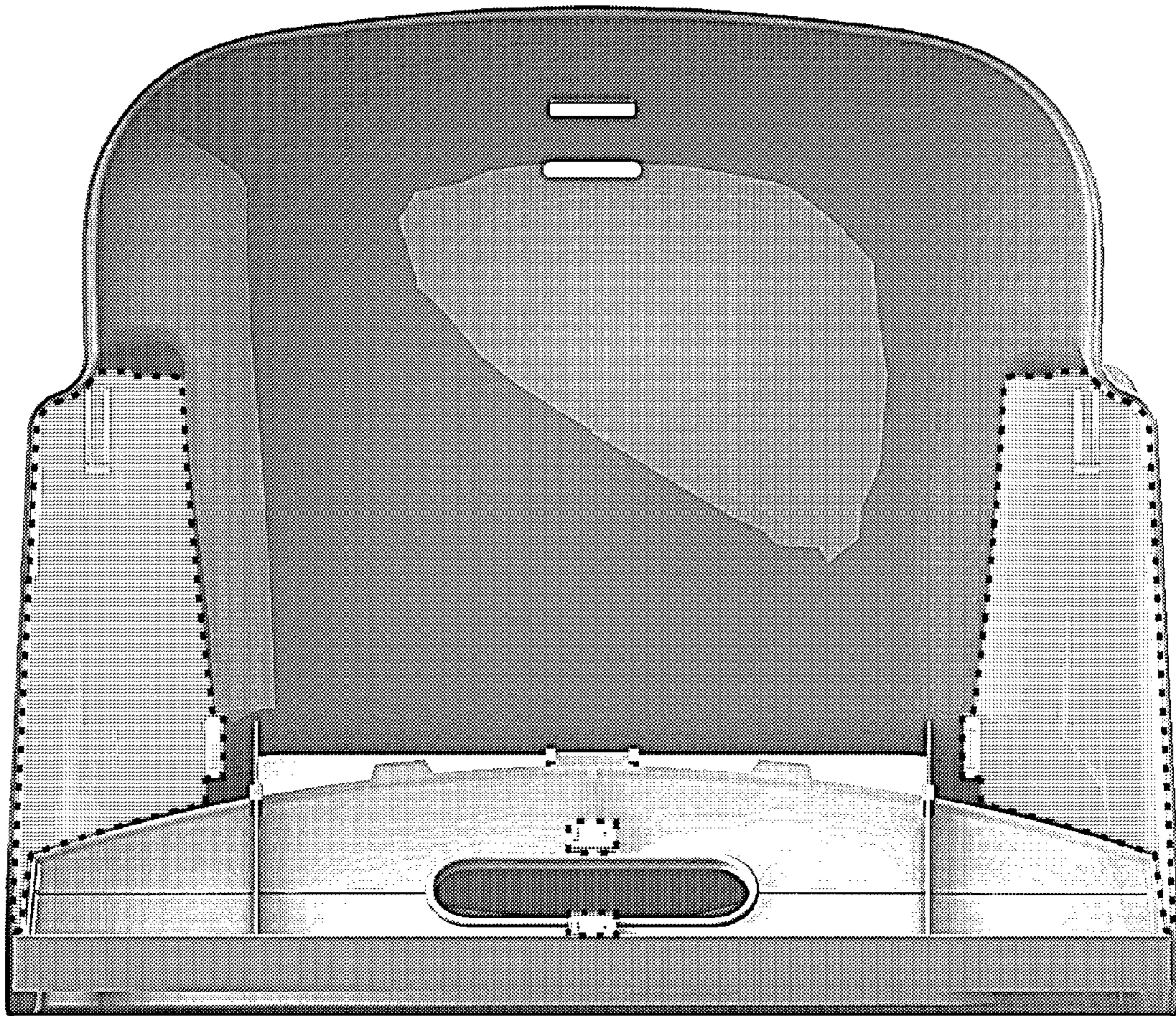


FIG. 4



FIG. 5

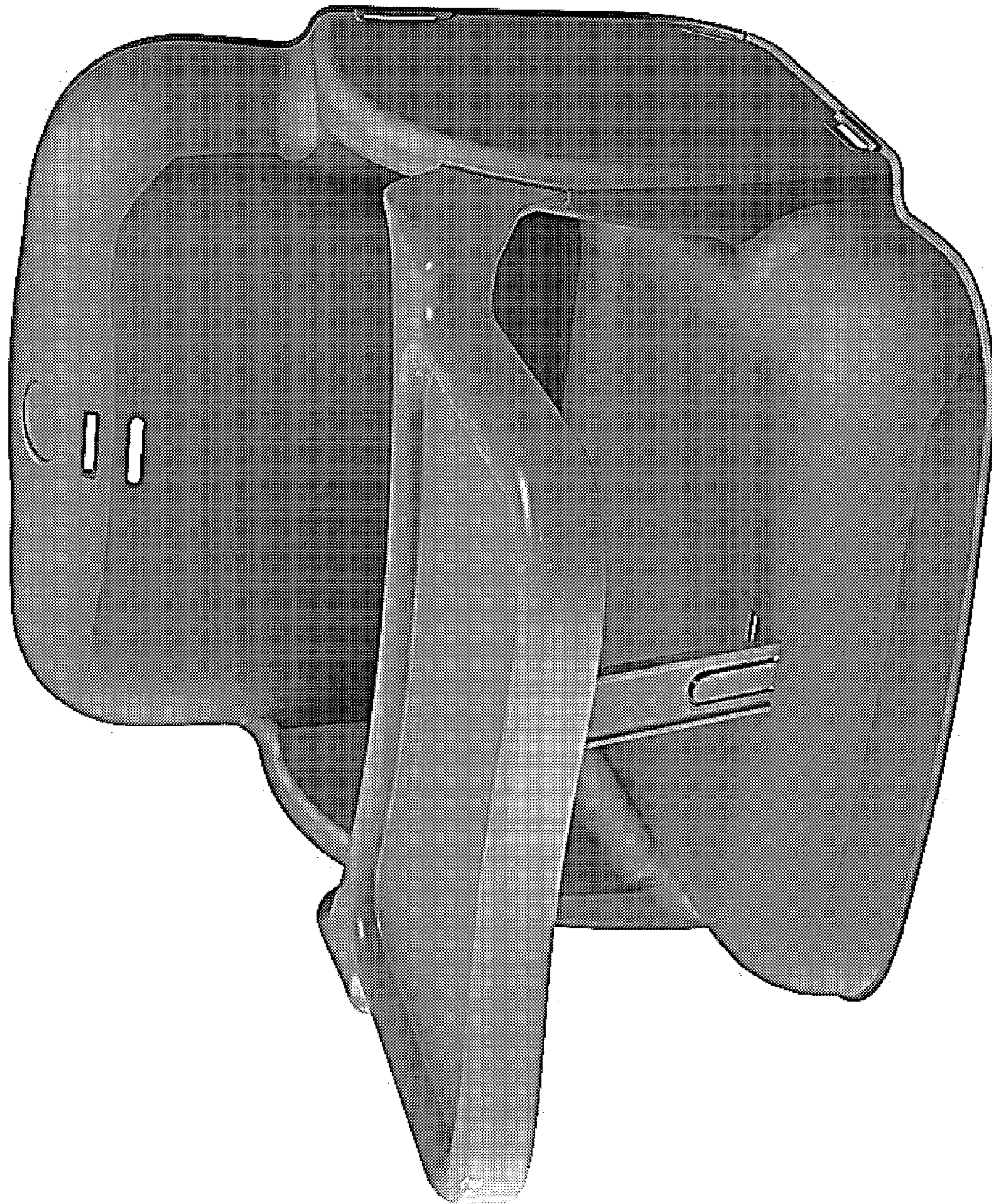


FIG. 6

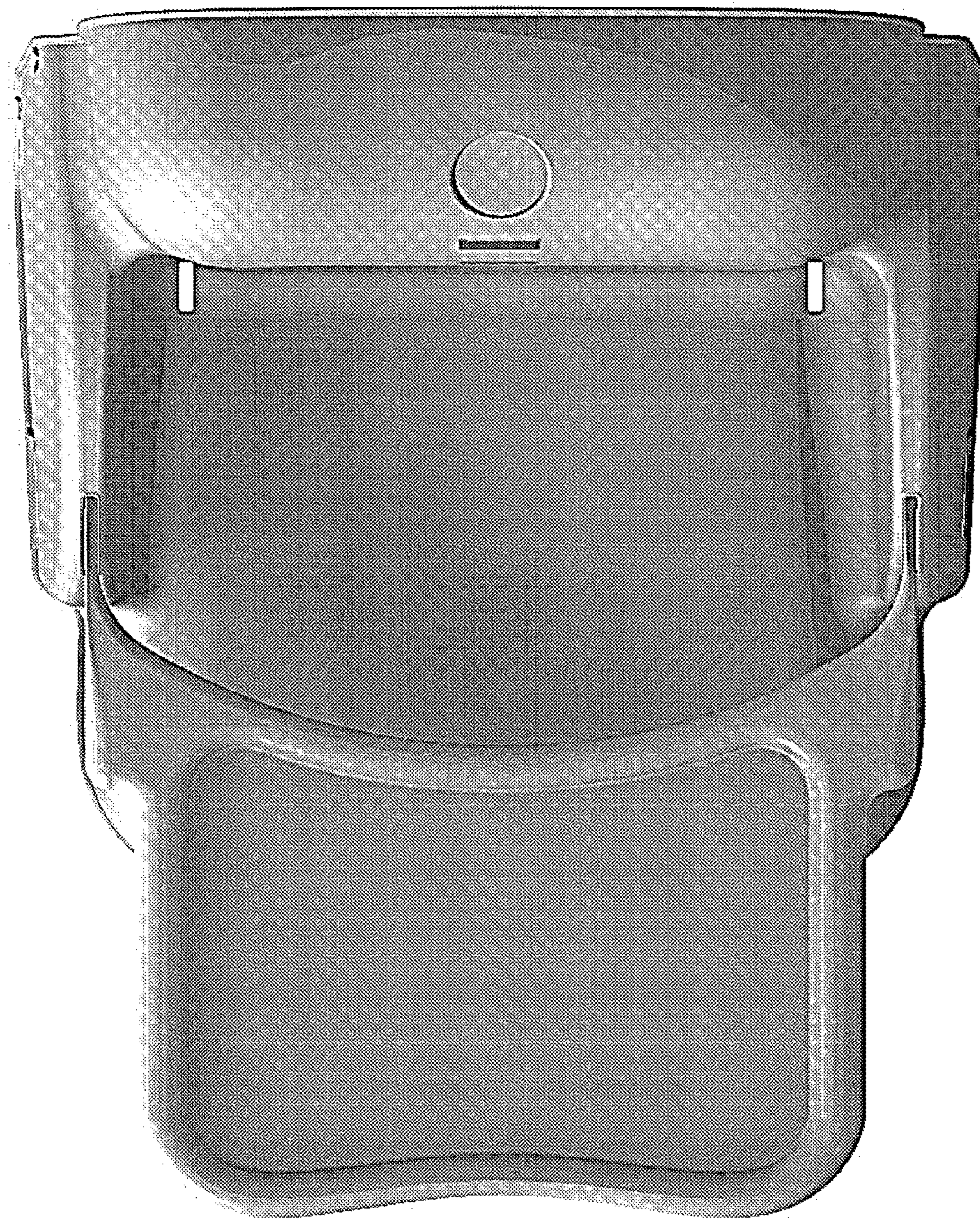


FIG. 7