



US00D613079S

(12) **United States Design Patent**
Tsuchiyama

(10) **Patent No.:** **US D613,079 S**
(45) **Date of Patent:** **** Apr. 6, 2010**

(54) **PARTITION**

(75) Inventor: **Waku Tsuchiyama**, Kanagawa (JP)

(73) Assignee: **Okamura Corporation** (JP)

(**) Term: **14 Years**

(21) Appl. No.: **29/306,711**

(22) Filed: **Apr. 15, 2008**

(30) **Foreign Application Priority Data**

Oct. 15, 2007 (JP) 2007-028092

(51) **LOC (9) Cl.** **06-01**

(52) **U.S. Cl.** **D6/332**

(58) **Field of Classification Search** D6/332,
D6/396, 397, 449, 509, 432; D25/48, 58;
312/3-6, 195, 210, 265.4; 160/130, 131,
160/167 V, 215, 236; 211/180; D20/10,
D20/39, 41; D14/307

See application file for complete search history.

(56) **References Cited**

U.S. PATENT DOCUMENTS

1,651,332 A * 11/1927 Langer 52/469

D317,086 S * 5/1991 D'Agostino D6/332
D407,501 S * 3/1999 Shipman et al. D25/58
D568,060 S * 5/2008 Munson D6/396

* cited by examiner

Primary Examiner—Sandra Snapp

(74) *Attorney, Agent, or Firm*—Ostrolenk Faber LLP

(57) **CLAIM**

The ornamental design for a partition, as shown and described.

DESCRIPTION

FIG. 1 is a perspective view of a partition showing my new design;

FIG. 2 is a front elevational view thereof;

FIG. 3 is a rear elevational view thereof;

FIG. 4 is a bottom plan view thereof;

FIG. 5 is a top plan view thereof; and,

FIG. 6 is a right side elevational view thereof, the opposite left side view thereof being identical.

The broken lines shown in the drawings are for illustrative purposes only and form no part of the claimed design.

1 Claim, 3 Drawing Sheets

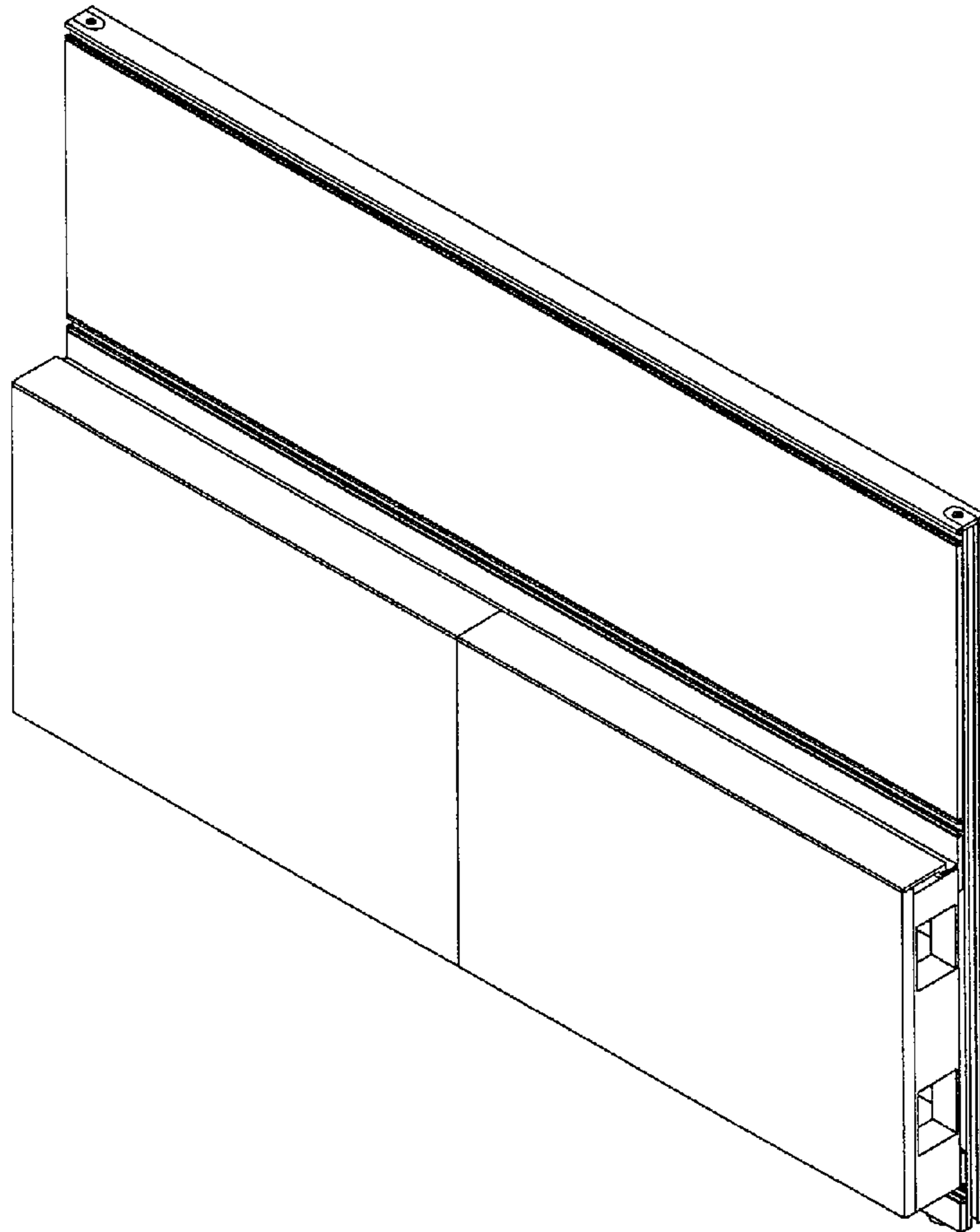


FIG. 1

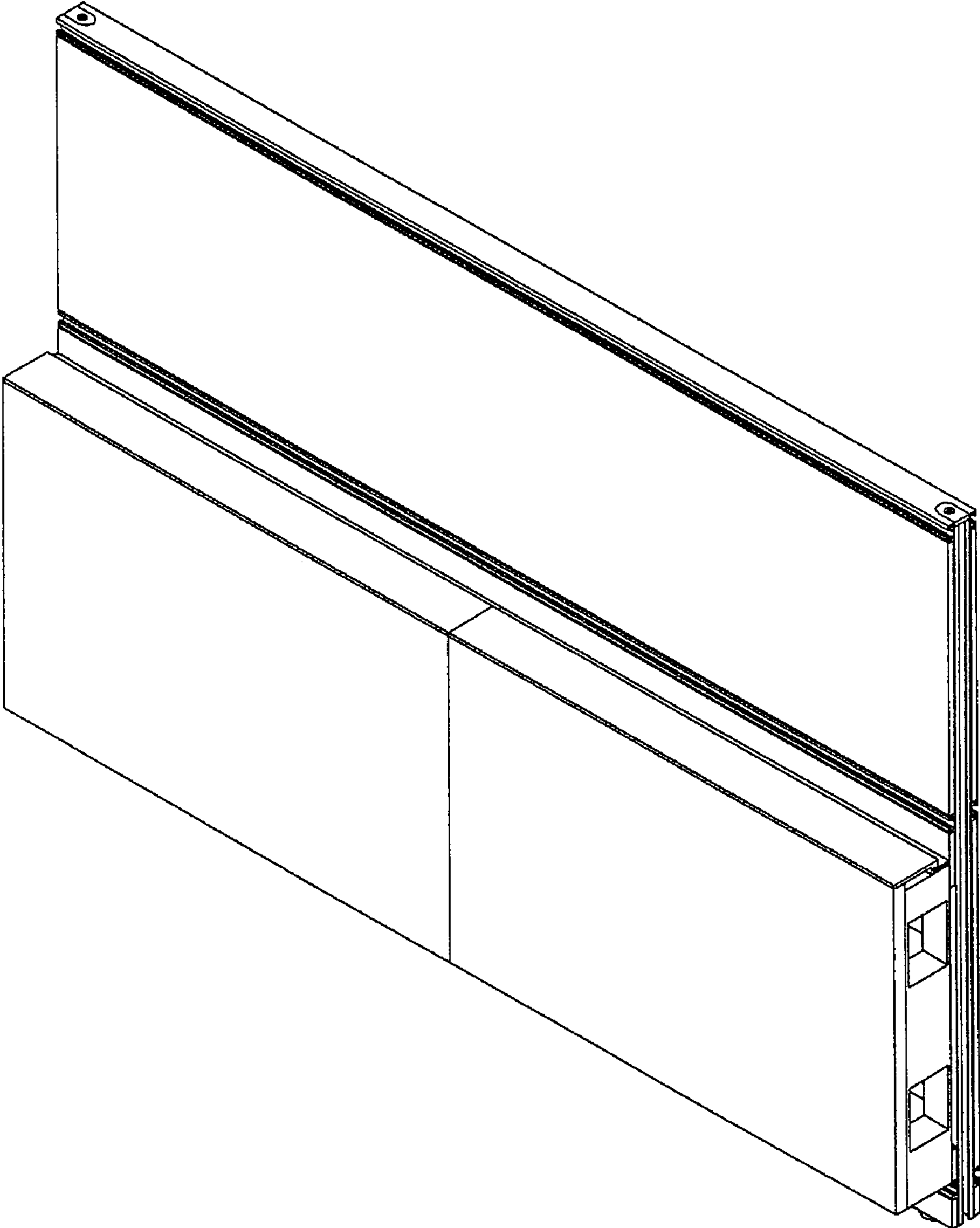


FIG. 2

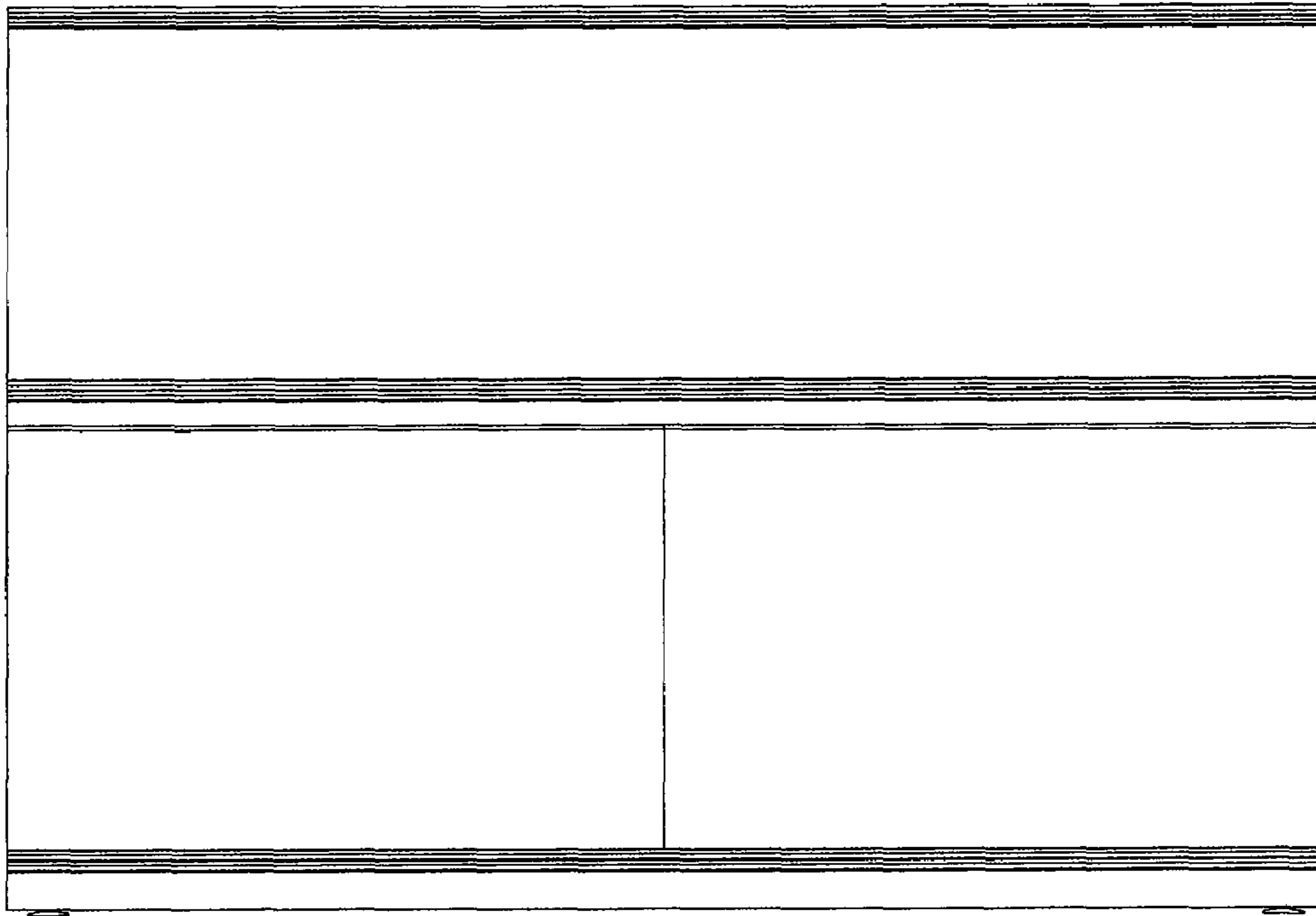


FIG. 3

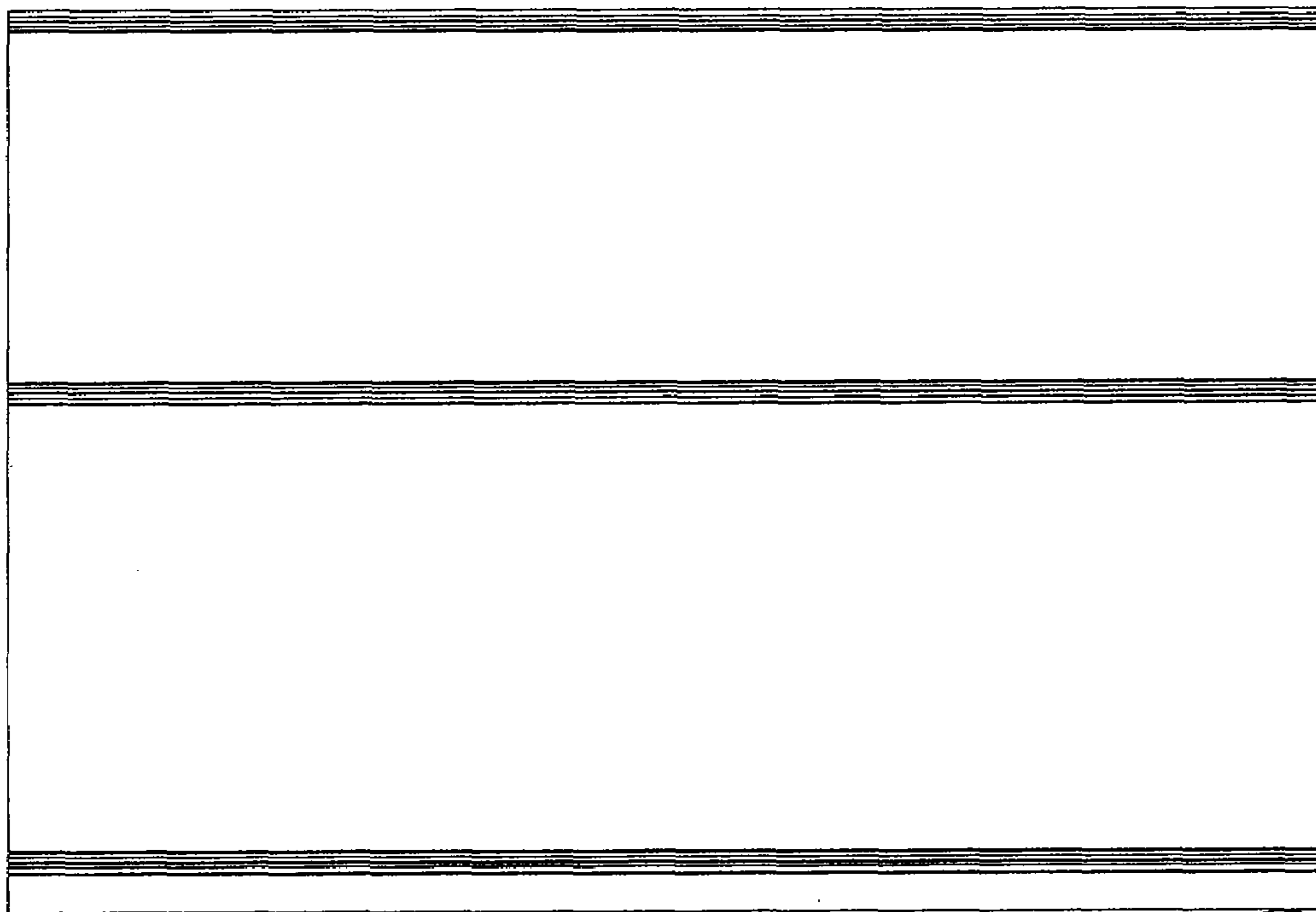


FIG. 4

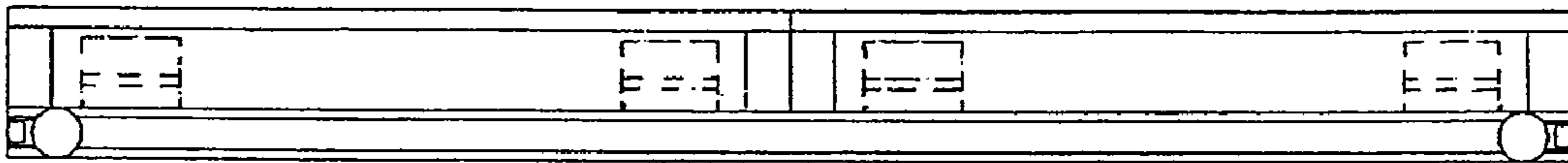


FIG. 5

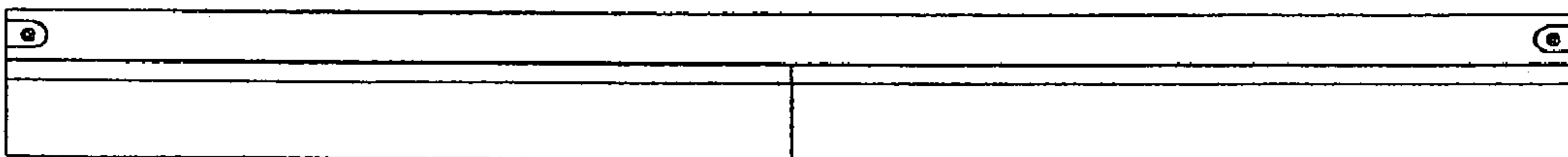


FIG. 6

