



US00D613078S

(12) **United States Design Patent**  
**Gouldson**

(10) **Patent No.:** **US D613,078 S**

(45) **Date of Patent:** **\*\* Apr. 6, 2010**

(54) **HANGER**

(75) Inventor: **Stanley F. Gouldson**, Northport, NY  
(US)

(73) Assignee: **Spotless Plastics Pty. Ltd.** (AU)

(\*\*) Term: **14 Years**

(21) Appl. No.: **29/325,852**

(22) Filed: **Oct. 7, 2008**

(51) **LOC (9) Cl.** ..... **06-08**

(52) **U.S. Cl.** ..... **D6/315; D6/328**

(58) **Field of Classification Search** ..... D6/315,  
D6/318, 326, 328; 211/1, 13.1, 85.3, 183;  
223/85-98

See application file for complete search history.

(56) **References Cited**

**U.S. PATENT DOCUMENTS**

D504,024 S *	4/2005	Mainetti	.....	D6/326
D506,320 S *	6/2005	Gouldson	.....	D6/326
D518,838 S *	4/2006	Singleton	.....	D6/326
D518,839 S *	4/2006	Singleton	.....	D6/326
D519,139 S *	4/2006	Singleton	.....	D6/326
D531,823 S *	11/2006	Mainetti	.....	D6/326
D586,568 S *	2/2009	Jones	.....	D6/326

\* cited by examiner

*Primary Examiner*—Stella M Reid  
*Assistant Examiner*—Shanda C. Hill

(74) *Attorney, Agent, or Firm*—Scully, Scott, Murphy &  
Presser, P.C.

(57) **CLAIM**

The ornamental design for a hanger, as shown and described.

**DESCRIPTION**

FIG. 1 is a front view of a hanger showing my new design;

FIG. 2 is a top view thereof;

FIG. 3 is a bottom view thereof;

FIG. 4 is a side view thereof, the opposite side view being a mirror image thereof;

FIG. 5 is a front perspective view thereof;

FIG. 6 is a cross sectional view thereof, taking along Lines 6—6 in FIG. 1; and

FIG. 7 is a rear view thereof;

FIG. 8 is a rear perspective view thereof; and,

FIG. 9 is a partial view thereof.

The broken lines shown in the drawing disclosure are for illustrative purposes only and form no part of the claimed design.

**1 Claim, 5 Drawing Sheets**

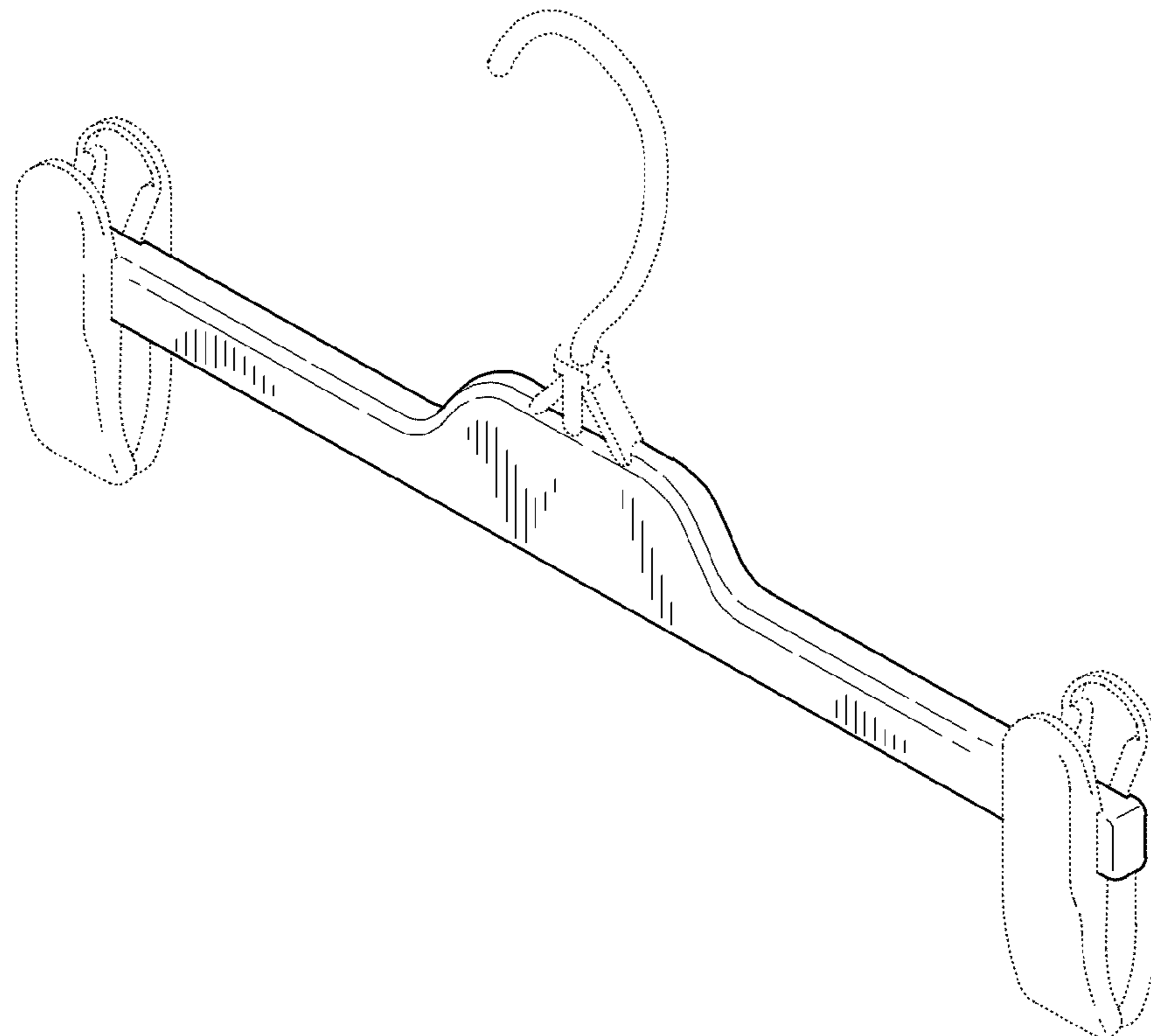


FIG. 1

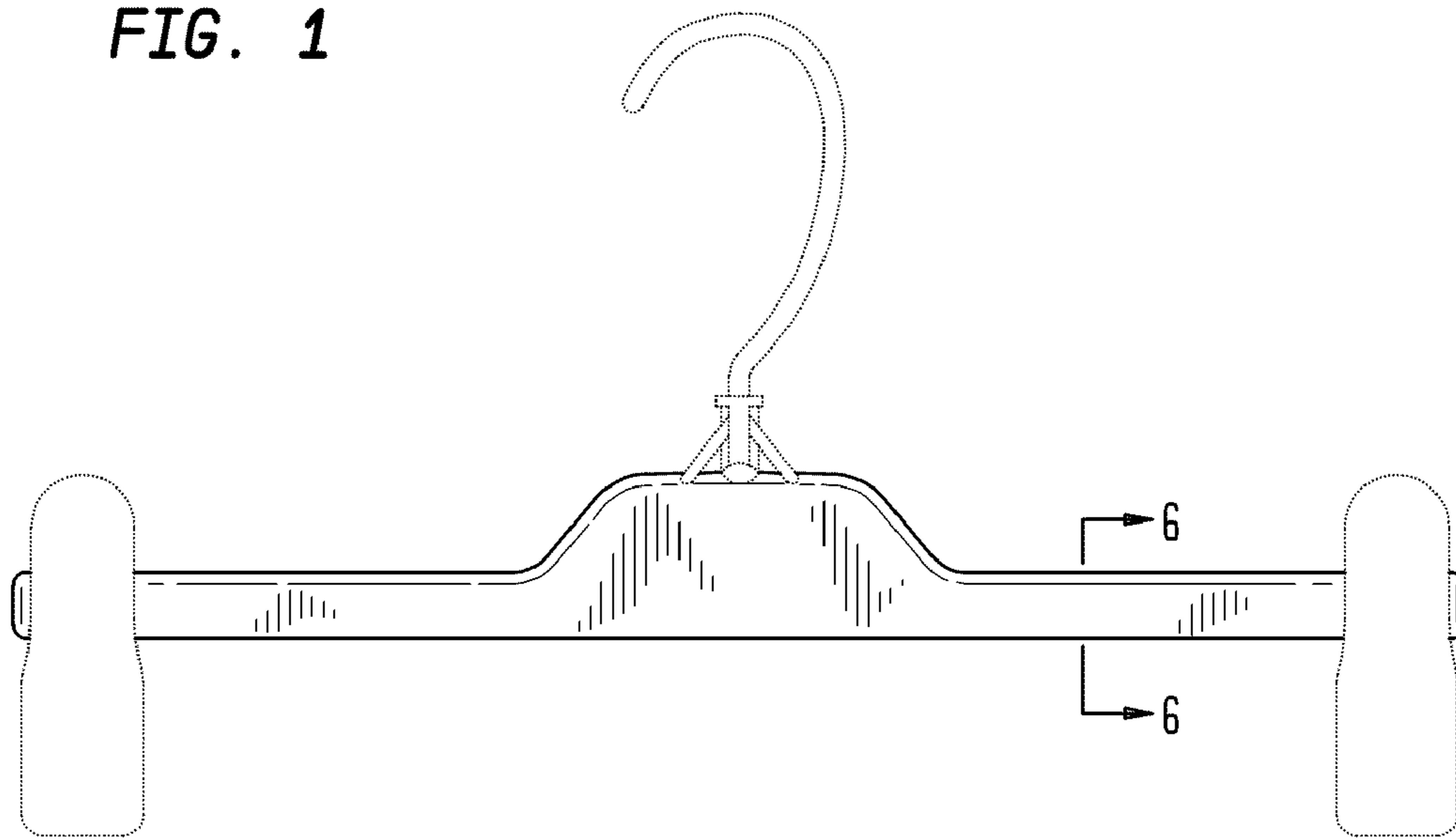


FIG. 2

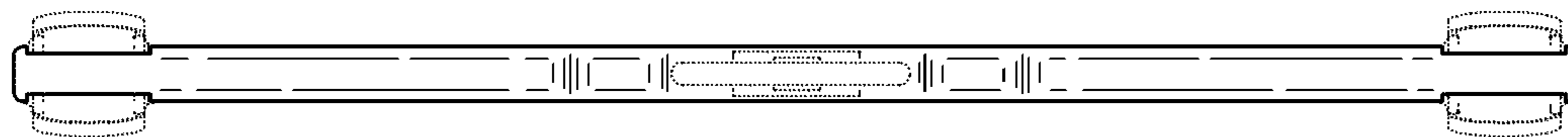


FIG. 3

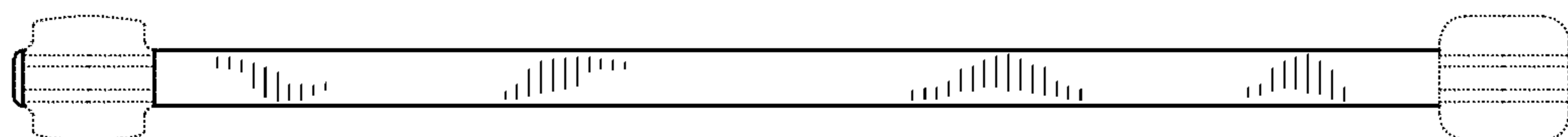


FIG. 4

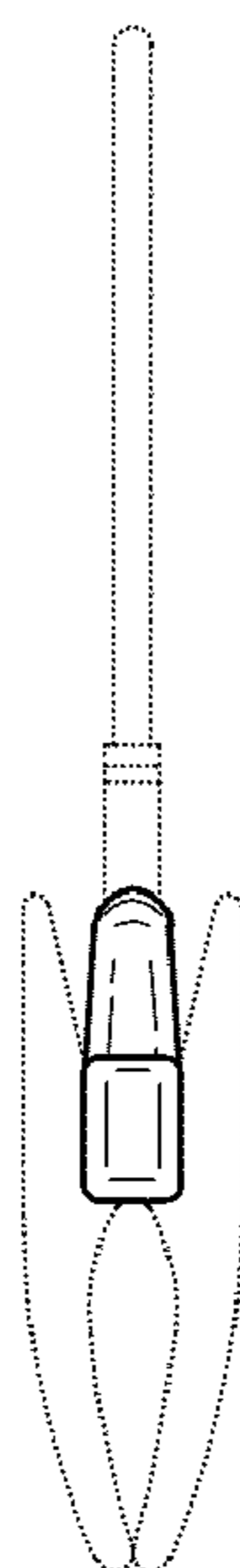


FIG. 6

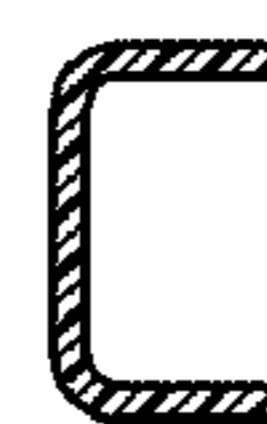


FIG. 5

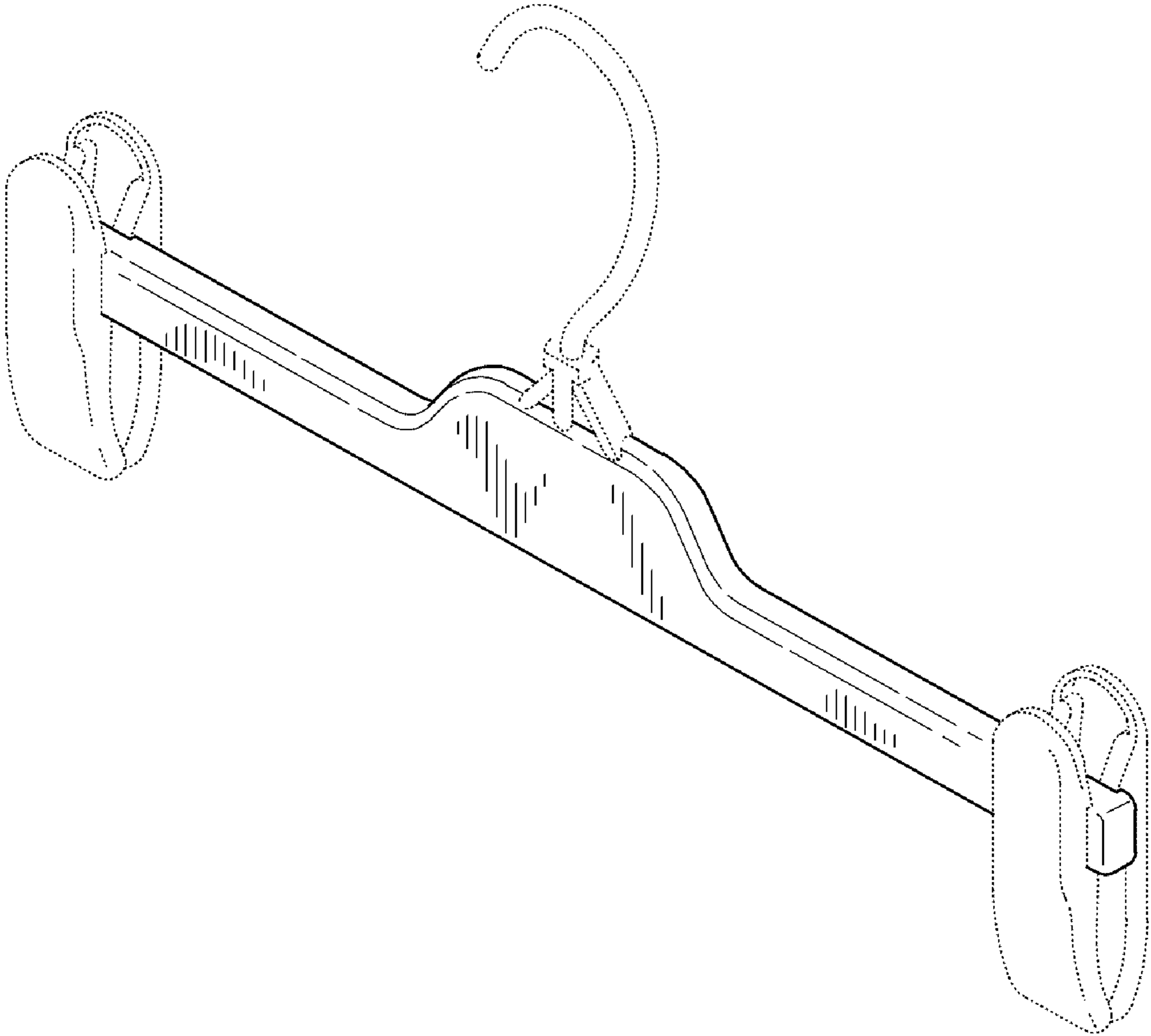


FIG. 7

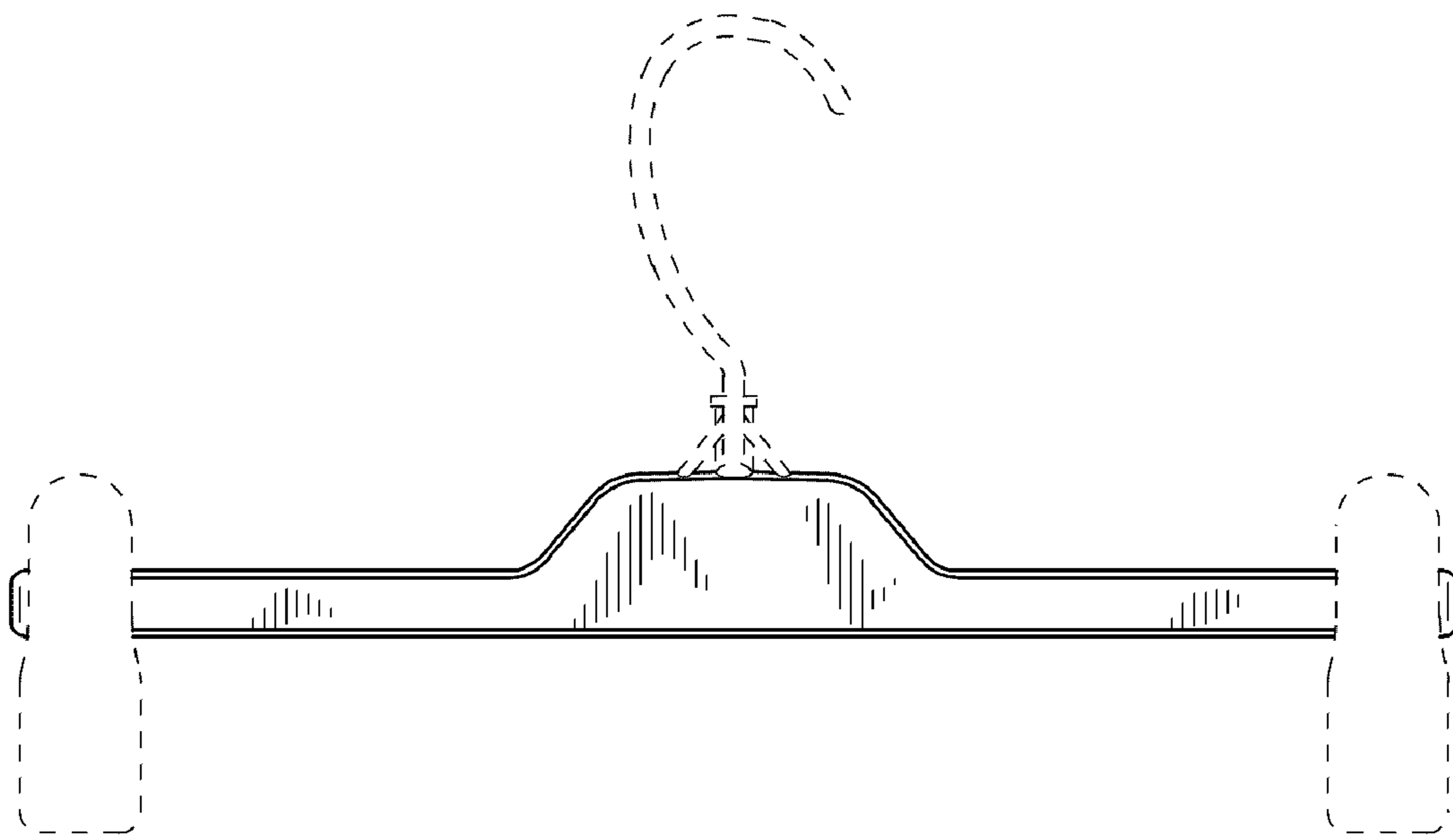
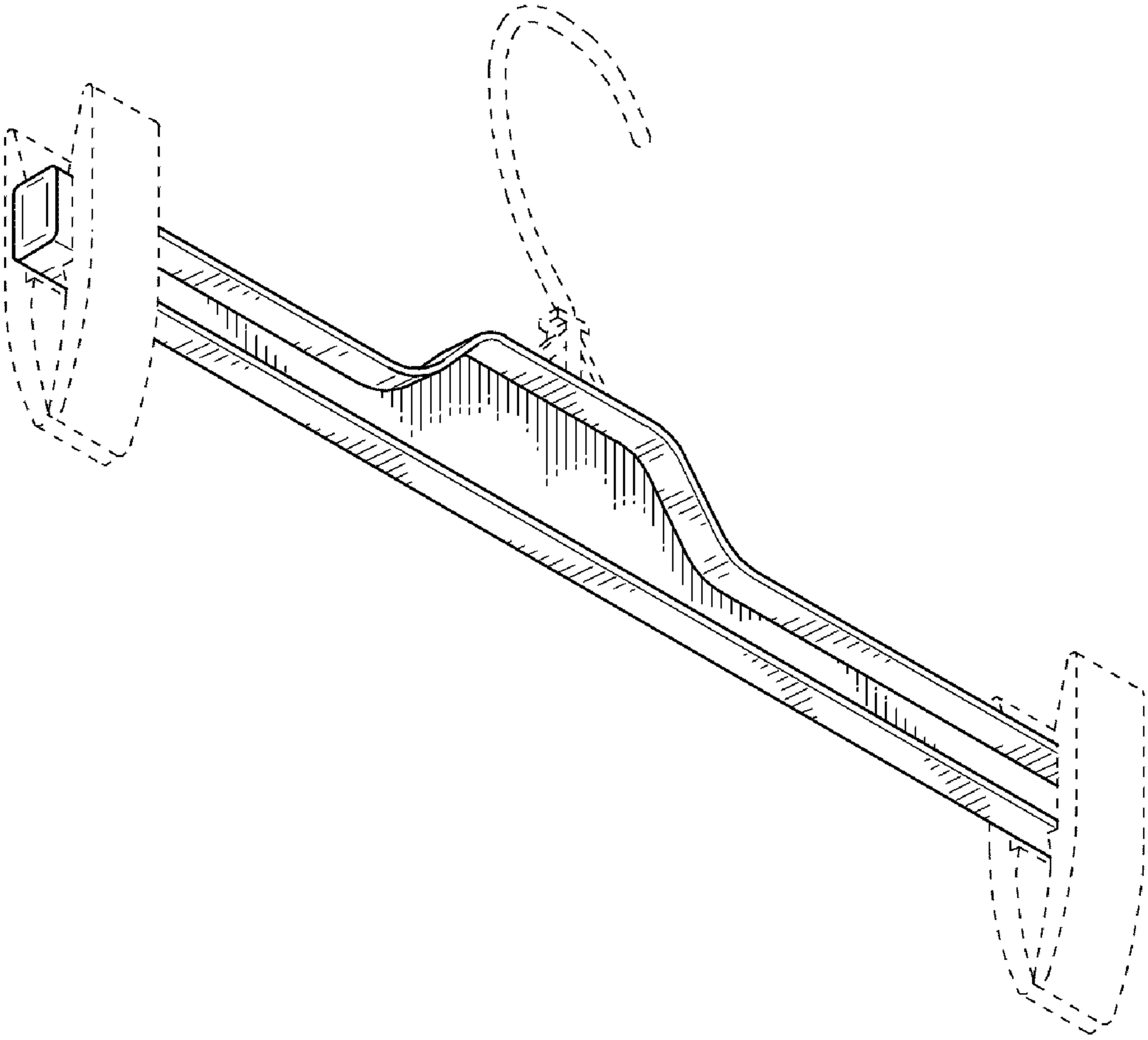


FIG. 8



**FIG. 9**

