



US00D613076S

(12) **United States Design Patent**
Chyan et al.

(10) **Patent No.:** **US D613,076 S**

(45) **Date of Patent:** **** Apr. 6, 2010**

(54) **DIGITAL PHOTO FRAME**

D582,917 S * 12/2008 Wada D14/371
D583,572 S * 12/2008 Zhai et al. D6/308

(75) Inventors: **Yu-Hao Chyan**, Taipei Hsien (TW);
Ding-Ding Zhang, Shenzhen (CN)

* cited by examiner

(73) Assignee: **Hon Hai Precisin Industry Co., Ltd.**,
Tu-Cheng, Taipei Hsien (TW)

Primary Examiner—Caron Veynar
Assistant Examiner—Sydney R Buffalow
(74) *Attorney, Agent, or Firm*—Zhigang Ma

(**) Term: **14 Years**

(57) **CLAIM**

(21) Appl. No.: **29/330,200**

The ornamental design for a digital photo frame, as shown and described.

(22) Filed: **Dec. 30, 2008**

(30) **Foreign Application Priority Data**

DESCRIPTION

Nov. 6, 2008 (CN) 2008 3 0301832

FIG. 1 is a perspective view of the design for a digital photo frame;

(51) **LOC (9) Cl.** **06-07**

FIG. 2 is a rear elevational view thereof;

(52) **U.S. Cl.** **D6/308; D6/310; D14/371**

FIG. 3 is a front side elevational view thereof;

(58) **Field of Classification Search** D6/300,
D6/308, 310, 311; 40/721, 700, 768, 717,
40/714; D14/371, 372, 448, 449, 450, 375,
D14/374, 381, 382, 336, 337, 341; D10/15,
D10/24, 75, 2; D19/26

FIG. 4 is a right side elevational view thereof;

FIG. 5 is a left side elevational view thereof;

FIG. 6 is a top plan view thereof;

FIG. 7 is a bottom plan view thereof;

See application file for complete search history.

FIG. 8 is a rear perspective view of FIG. 1 in an open state thereof; and,

(56) **References Cited**

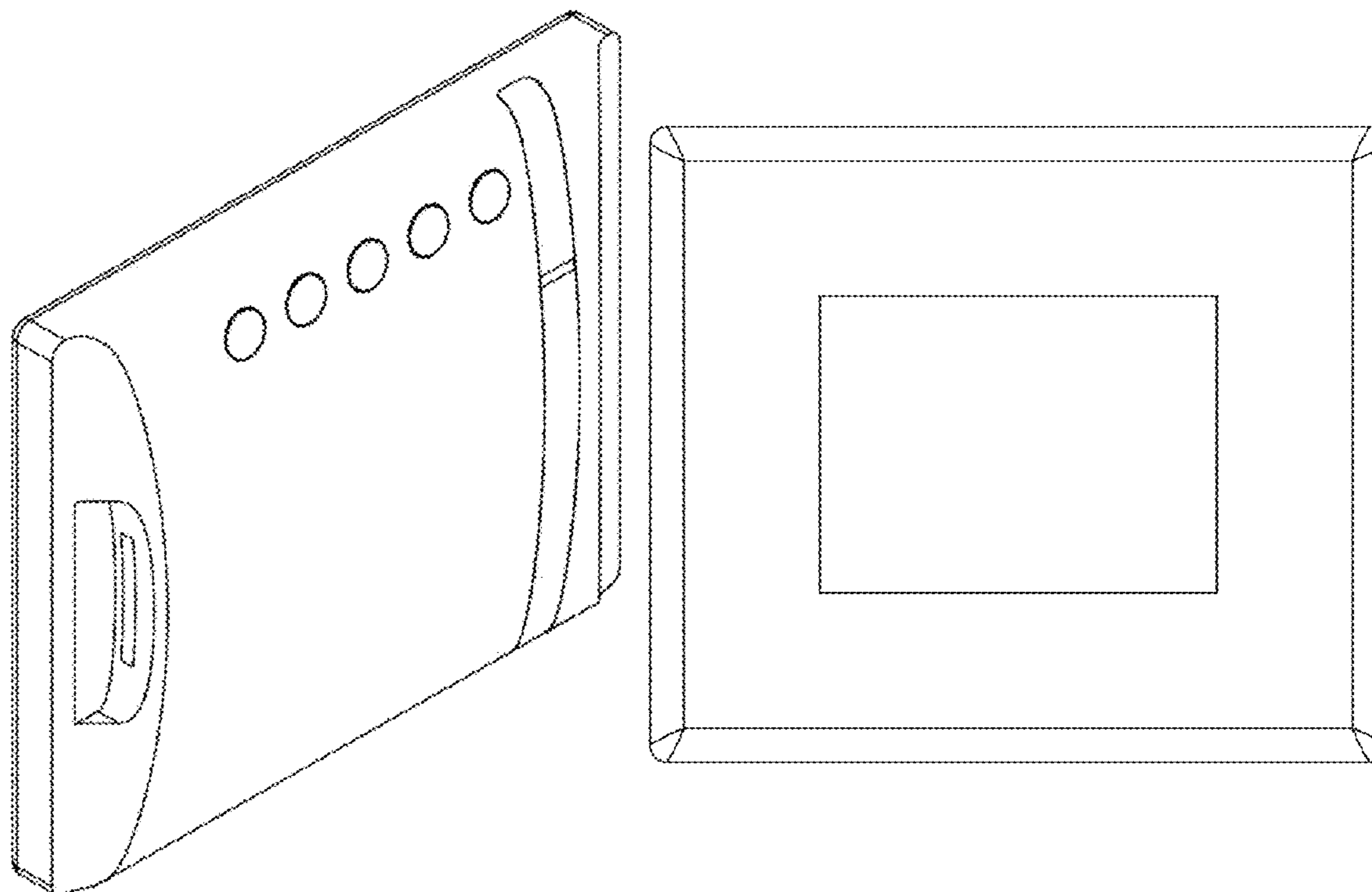
FIG. 9 is another rear perspective view of FIG. 1 in an alternate position.

U.S. PATENT DOCUMENTS

The front of the claimed design does not include any depth and is understood to be flat and flush with the edge of the frame.

D270,066 S * 8/1983 Ackeret D6/308
D361,552 S * 8/1995 Iino D14/341
D448,376 S * 9/2001 Lee D14/374
D572,023 S * 7/2008 Park D6/300
D572,025 S * 7/2008 Kwon D6/308
D582,916 S * 12/2008 Wada D14/371

1 Claim, 9 Drawing Sheets



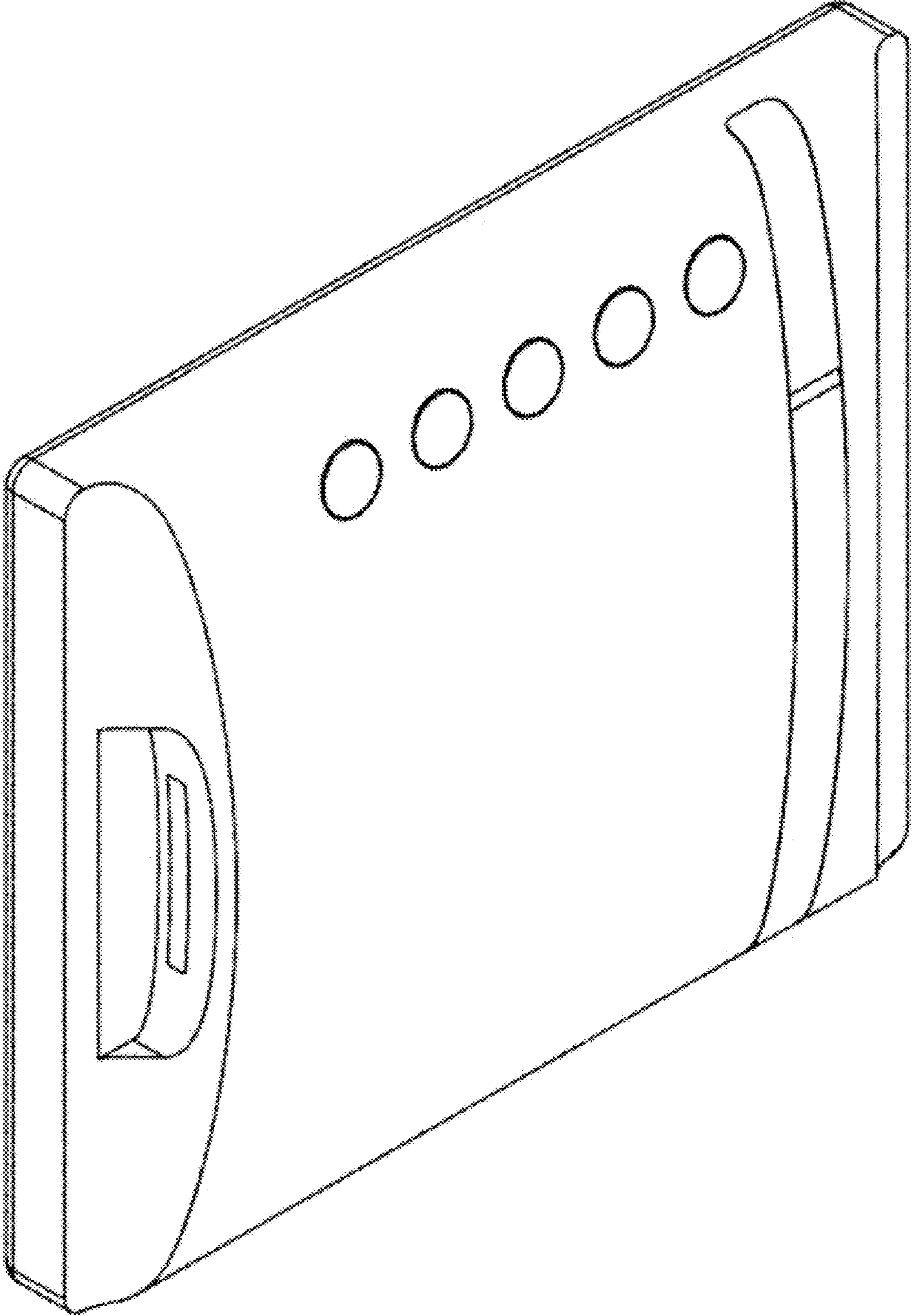


FIG. 1

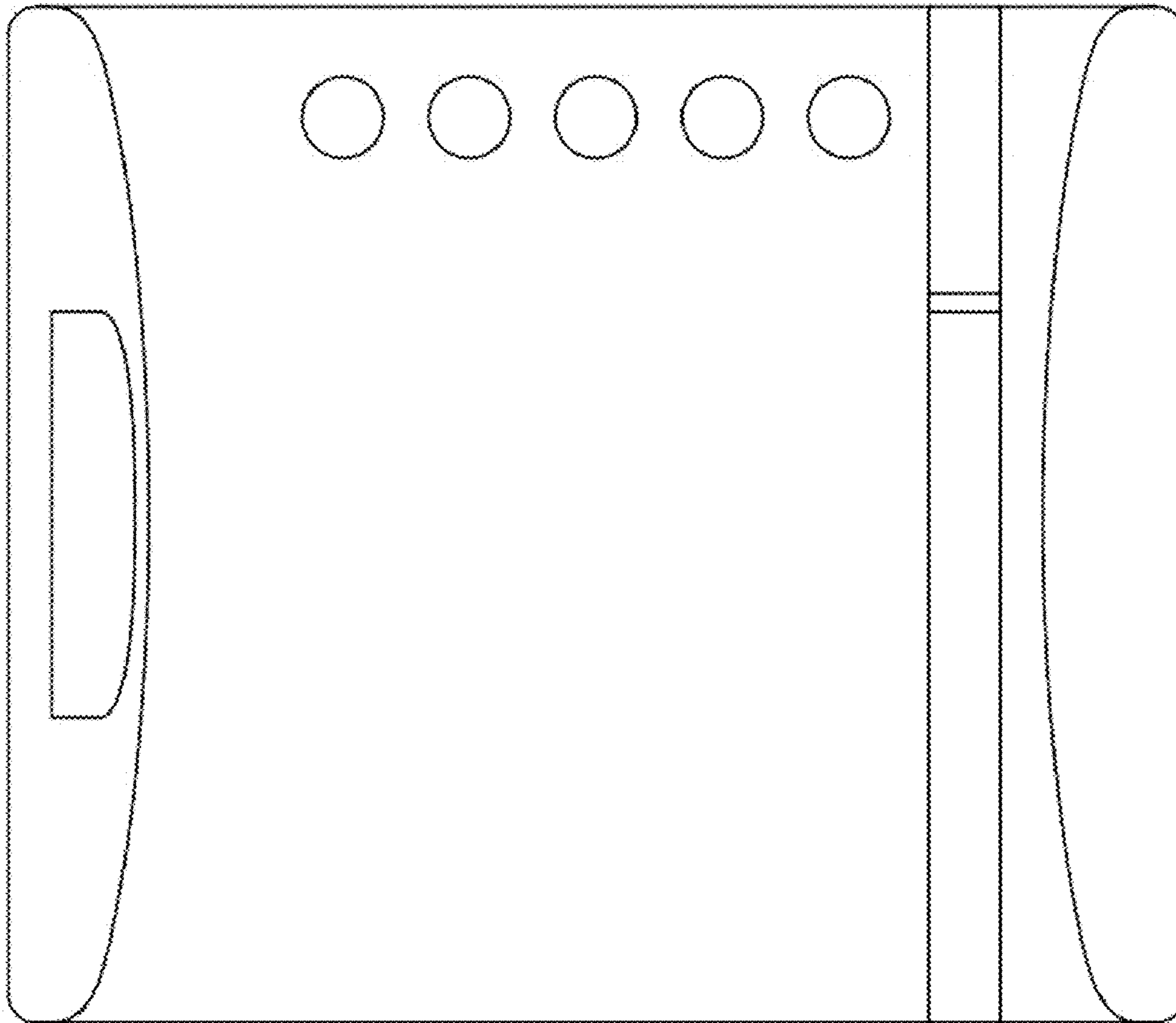


FIG. 2

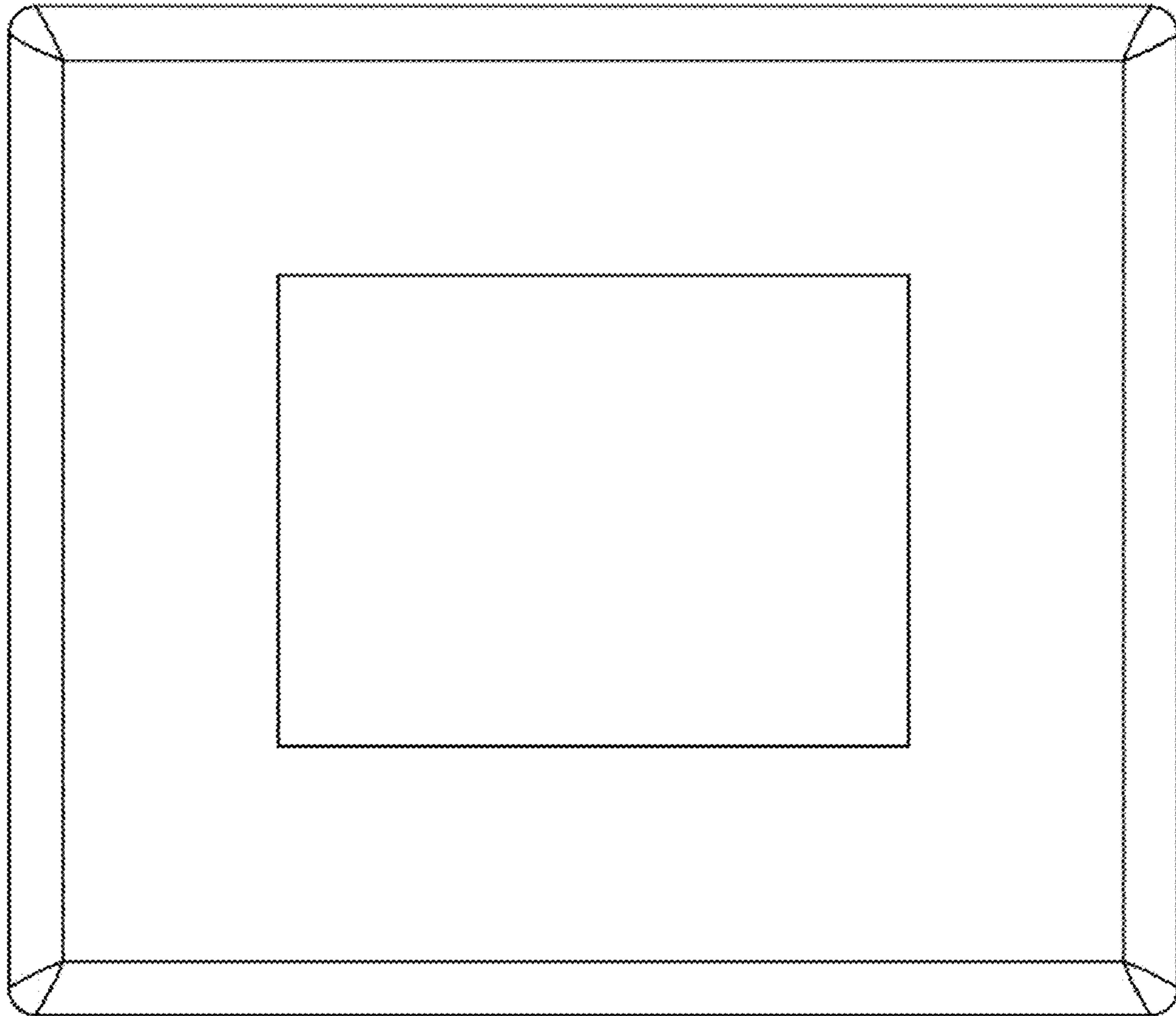


FIG. 3

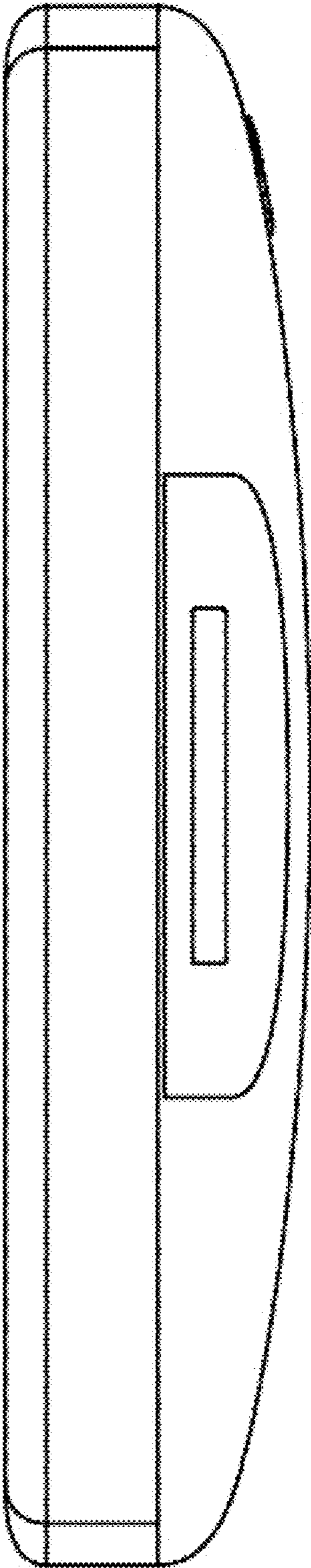


FIG. 4

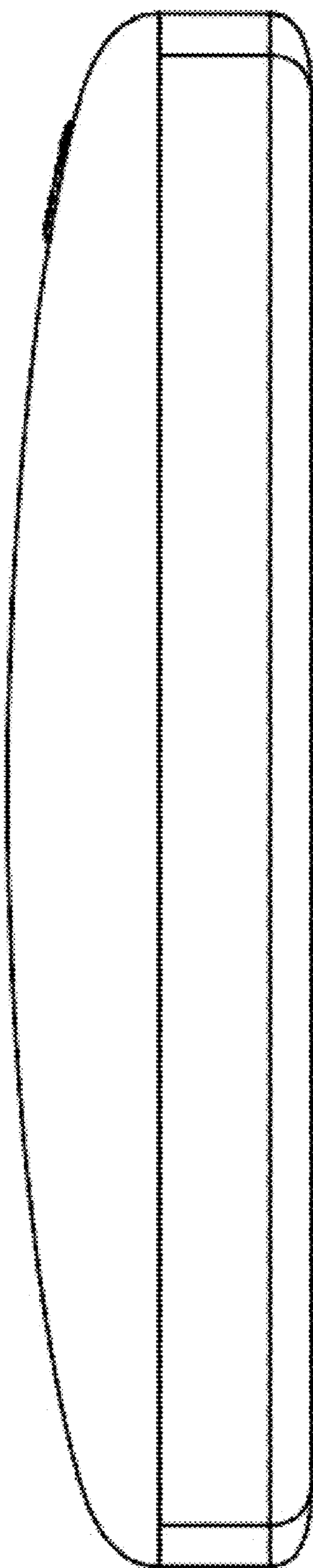


FIG. 5

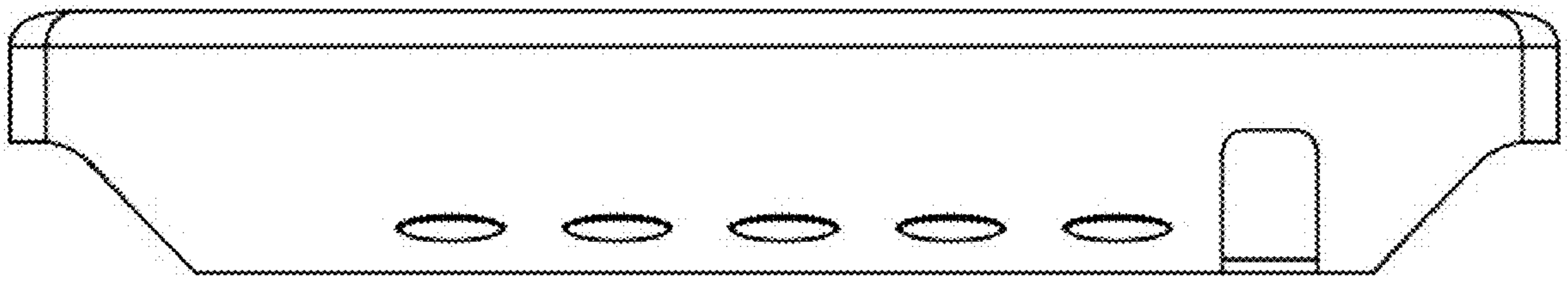


FIG. 6

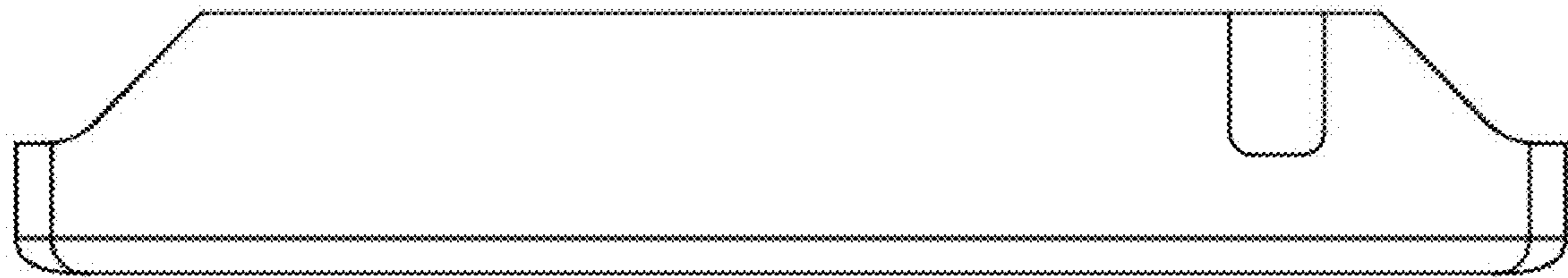


FIG. 7

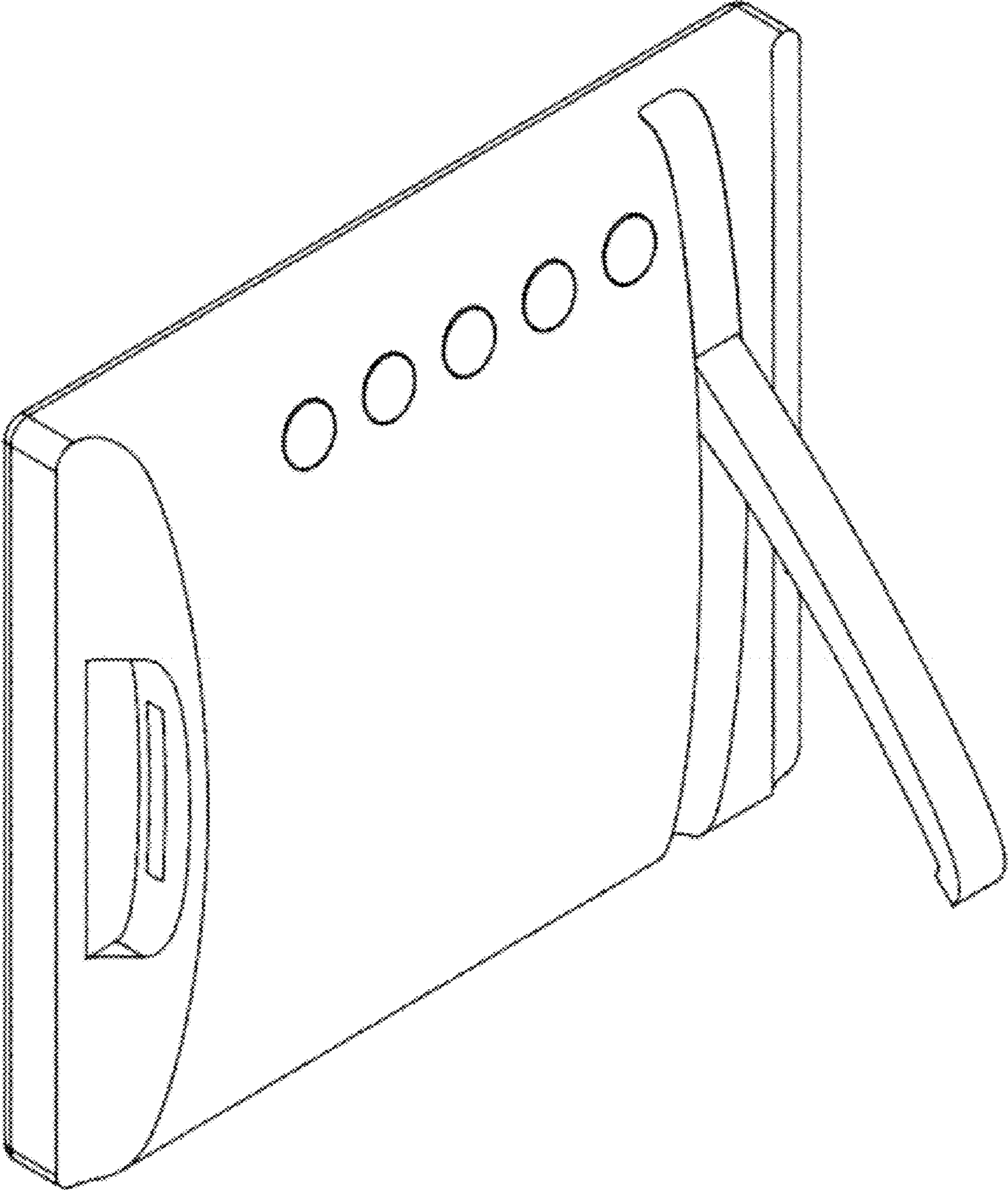


FIG. 8

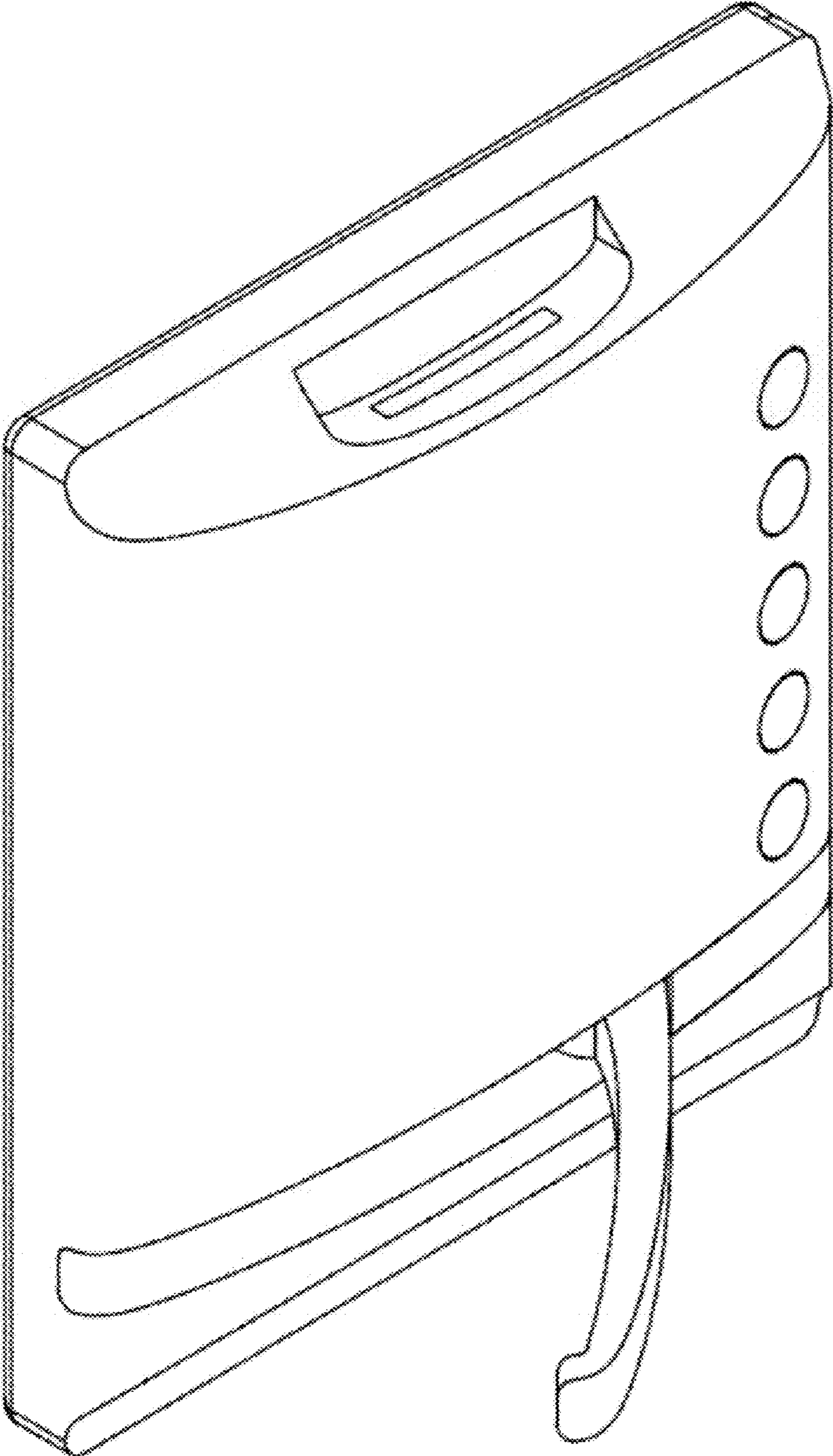


FIG. 9