



US00D613075S

(12) **United States Design Patent**
DeNicola

(10) **Patent No.:** **US D613,075 S**

(45) **Date of Patent:** **** Apr. 6, 2010**

(54) **DECORATIVE TV FRAME**

(76) **Inventor:** **John J. DeNicola**, 850 Ahearn Ct.,
Swanee, GA (US) 30024

(**) **Term:** **14 Years**

(21) **Appl. No.:** **29/337,436**

(22) **Filed:** **May 21, 2009**

(51) **LOC (9) Cl.** **06-07**

(52) **U.S. Cl.** **D6/300; D14/448**

(58) **Field of Classification Search** D6/568,
D6/300-314; D14/371-376, 449-450; 348/836,
348/818, 823, 834; 359/609, 738; 345/32
See application file for complete search history.

(56) **References Cited**

U.S. PATENT DOCUMENTS

D343,520	S	*	1/1994	Machugh	D6/300
5,549,267	A		8/1996	Armbruster et al.		
5,638,096	A		6/1997	Schwartz		
D393,636	S	*	4/1998	Jones et al.	D14/450
D394,159	S	*	5/1998	Leung	D6/309
D463,779	S	*	10/2002	Cobian et al.	D14/450
6,817,128	B2		11/2004	Korpai		

D504,899	S	*	5/2005	Ellis et al.	D14/450
6,967,635	B2	*	11/2005	Hung	345/32
D512,433	S	*	12/2005	Korpai	D14/450
D534,914	S		1/2007	Florindo		
2007/0046841	A1		3/2007	Jacobsmeier et al.		
2007/0056201	A1		3/2007	Price et al.		

* cited by examiner

Primary Examiner—Philip S Hyder
Assistant Examiner—Sydney R Buffalow

(57) **CLAIM**

The ornamental design for a decorative TV frame, as shown and claimed.

DESCRIPTION

FIG. 1 is a perspective view of a decorative TV frame showing my new design;

FIG. 2 is a front view thereof;

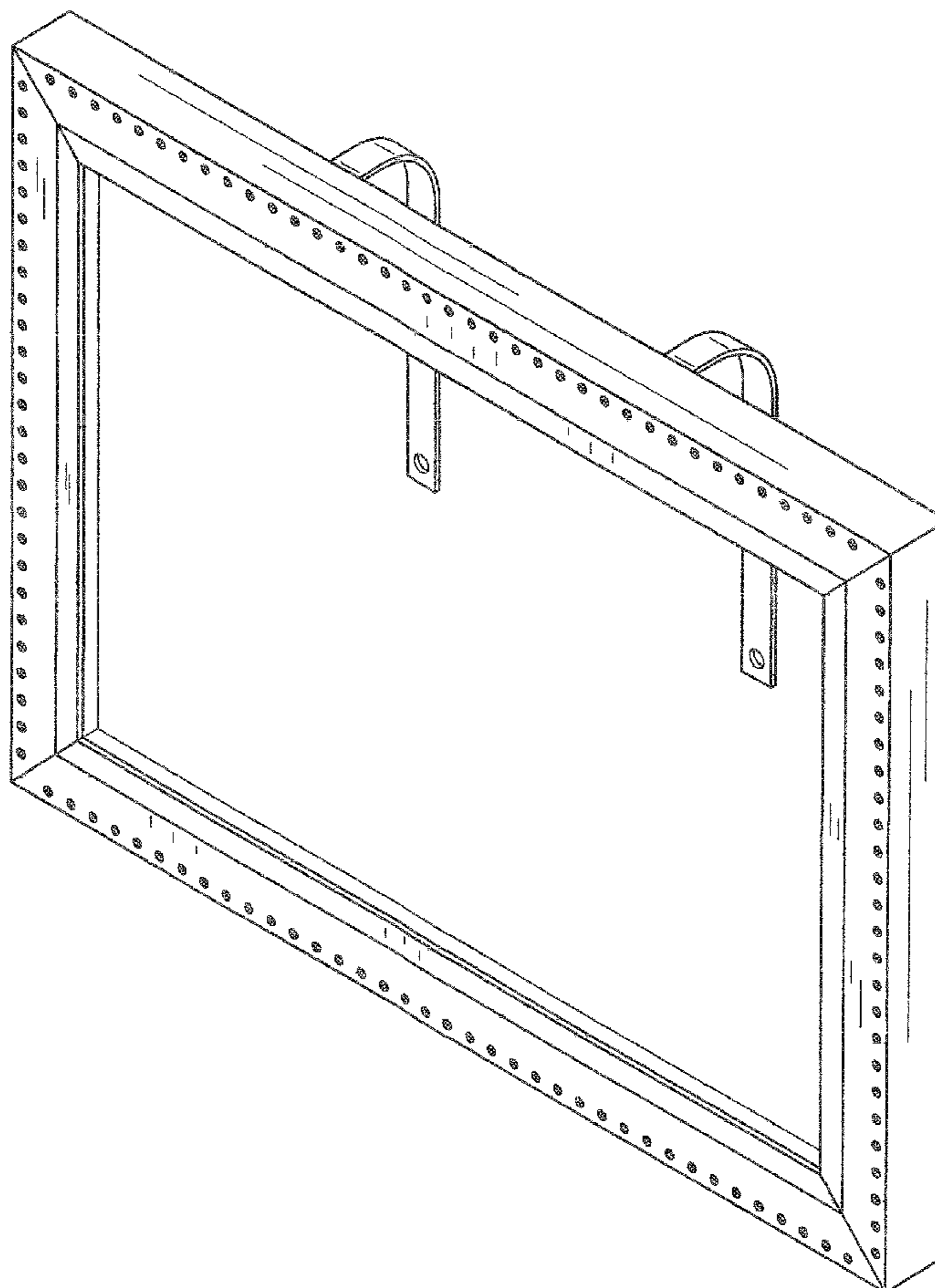
FIG. 3 is a back view thereof;

FIG. 4 is a side view thereof (opposite side is mirror image);

FIG. 5 is a top view thereof; and,

FIG. 6 is a bottom view thereof.

1 Claim, 5 Drawing Sheets



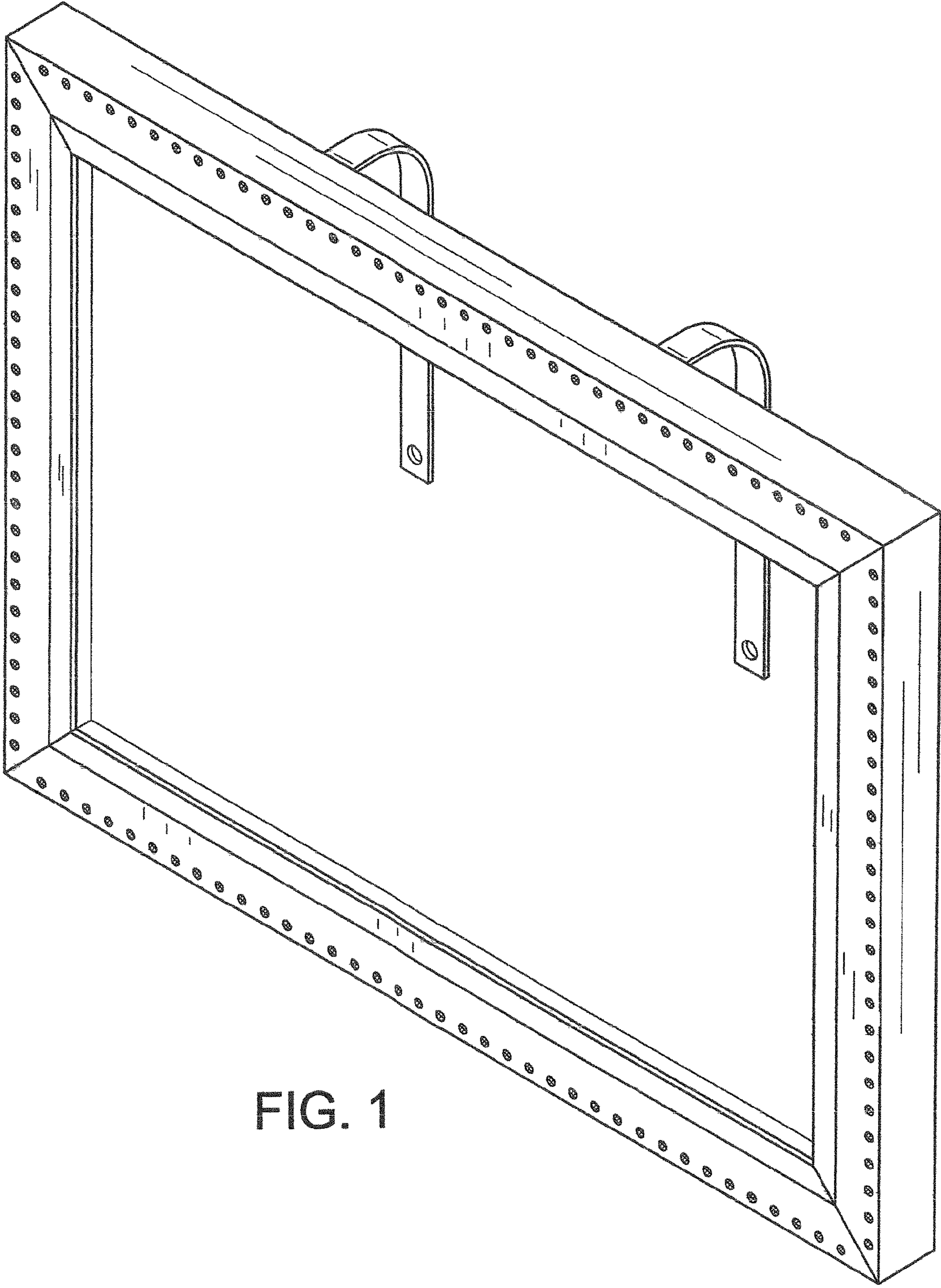


FIG. 1

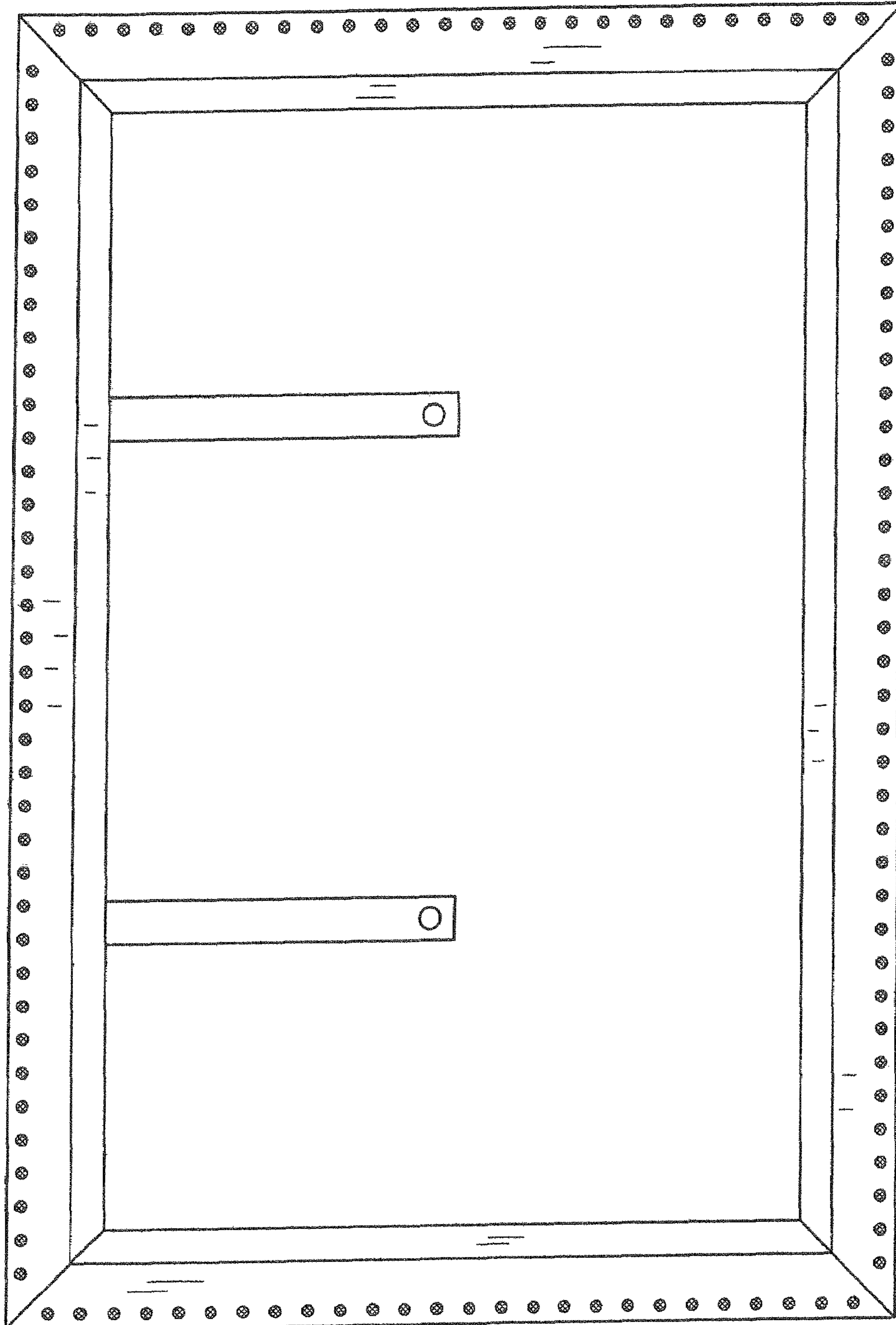


FIG. 2

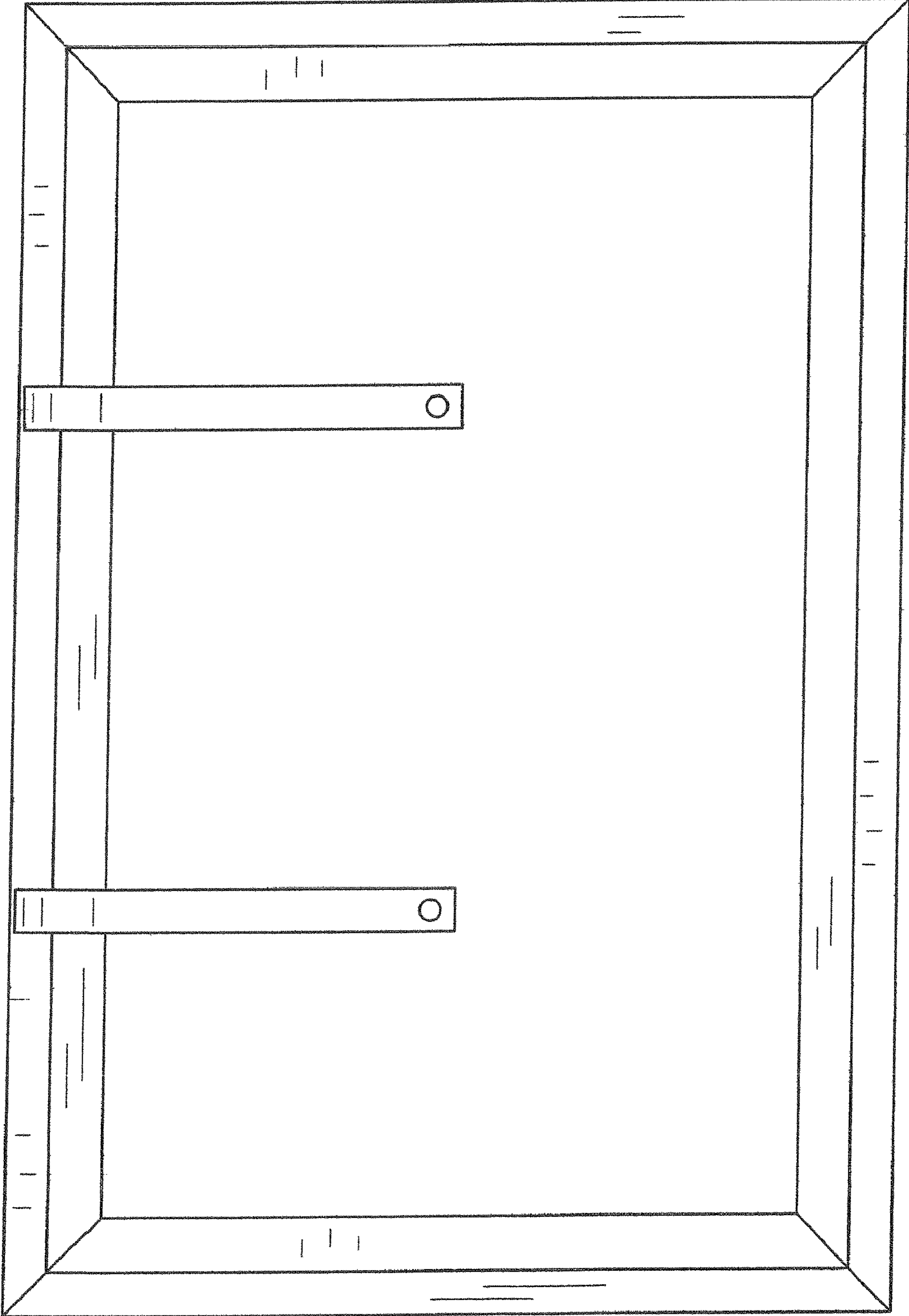


FIG. 3

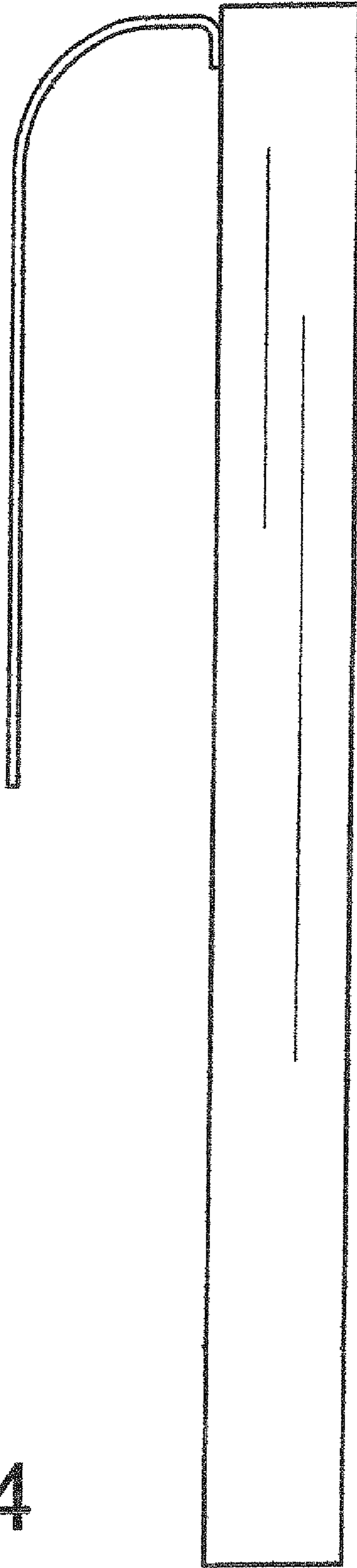


FIG. 4

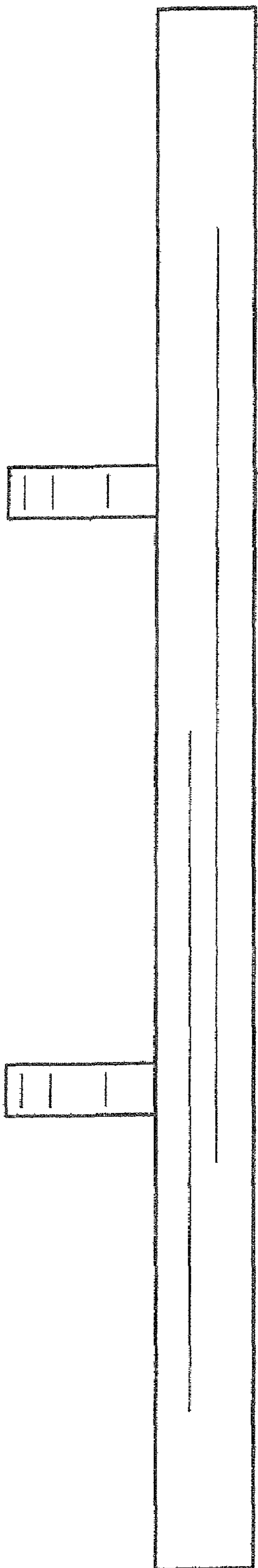


FIG. 5

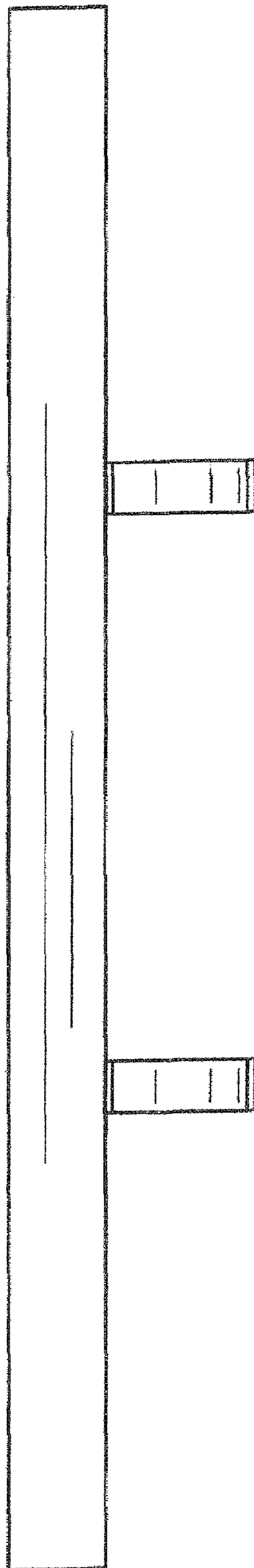


FIG. 6