



US00D613073S

(12) **United States Design Patent**  
**Hehenberger**

(10) **Patent No.:** **US D613,073 S**

(45) **Date of Patent:** **\*\* Apr. 6, 2010**

(54) **RETROREFLECTIVE AND LUMINOUS ARTICLE**

6,551,726 B1 4/2003 Burrows  
6,696,786 B2 2/2004 Burrows

(Continued)

(75) Inventor: **Rodney K. Hehenberger**, Lake Elmo, MN (US)

FOREIGN PATENT DOCUMENTS

(73) Assignee: **3M Innovative Properties Company**, St. Paul, MN (US)

CA 2 487 264 A1 11/2004

(Continued)

(\*\*) Term: **14 Years**

OTHER PUBLICATIONS

(21) Appl. No.: **29/333,627**

M 96 10 334 and M 97 00 908 DE Taste Sample Sheet Folder 13 of 0/10/1997, *Retro Reflecting Films For Speedometer Glass Lenses of the Type 1, 2, 3.*

(22) Filed: **Mar. 12, 2009**

(Continued)

(51) **LOC (9) Cl.** ..... **05-02**

*Primary Examiner*—Robert M Spear

(52) **U.S. Cl.** ..... **D5/59**

*Assistant Examiner*—Barbara B Lohr

(58) **Field of Classification Search** ..... D5/1, D5/2, 6, 7, 11, 13, 14, 16, 20, 24, 25, 26, D5/27, 28, 32, 35, 37, 38, 39, 45, 47, 49, D5/50, 52, 53, 56, 58, 59, 60, 61, 63, 99; 359/529, 530; 428/17, 44, 88, 151, 152, 428/154, 156, 167, 171, 179, 187, 198, 199, 428/224, 542.2; D25/102, 109, 114, 118, D25/138, 142, 152; D6/582

(74) *Attorney, Agent, or Firm*—Anna A. Wetzels

See application file for complete search history.

(57) **CLAIM**

(56) **References Cited**

The ornamental design for a retroreflective and luminous article, as shown and described.

U.S. PATENT DOCUMENTS

**DESCRIPTION**

4,684,353	A	8/1987	deSouza	
D314,673	S *	2/1991	Legare	D5/53
4,999,936	A	3/1991	Calamia et al.	
5,237,448	A	8/1993	Spencer et al.	
5,567,040	A	10/1996	Tabanera	
5,570,945	A	11/1996	Chien et al.	
5,856,029	A	1/1999	Burrows	
5,856,030	A	1/1999	Burrows	
5,980,976	A	11/1999	Burrows	
5,981,032	A *	11/1999	Smith et al.	428/167
6,261,633	B1	7/2001	Burrows	
D446,945	S *	8/2001	Jacobs	D5/59
6,270,834	B1	8/2001	Burrows	
6,309,764	B1	10/2001	Burrows	

FIG. 1 is a perspective view of a retroreflective and luminous article showing the new design. As shown, the pattern of dots between the generally diamond-shaped retroreflective segments is used to designate luminous background. The discrete dots are shown merely for illustration purposes and the area designated by the dots represents a uniformly illuminated area;

FIG. 2 is a top view thereof;

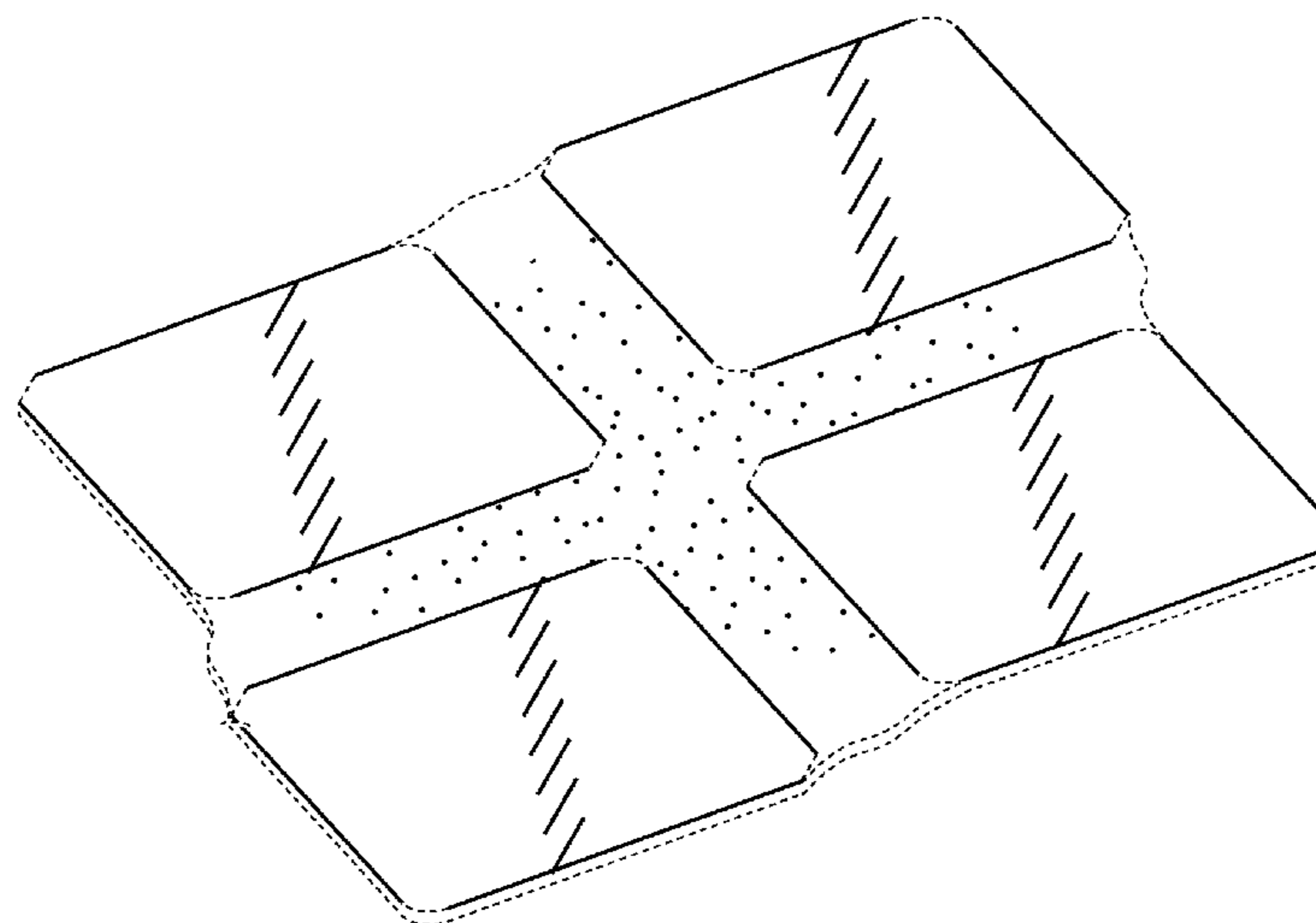
FIG. 3 is a bottom view thereof;

FIG. 4 is a side view thereof; and,

FIG. 5 is a perspective view of a retroreflective and luminous article shown in an alternate position of use.

The broken line drawing is for environmental disclosure and does not form part of the claimed design.

**1 Claim, 4 Drawing Sheets**



# US D613,073 S

Page 2

U.S. PATENT DOCUMENTS			2009/0021831 A1* 1/2009 Bacon et al. .... 359/530
6,717,361 B2	4/2004	Burrows	
6,769,138 B2	8/2004	Golle et al.	
6,859,941 B2	3/2005	Koppes	
6,931,665 B2	8/2005	Feduzi et al.	
6,964,493 B1	11/2005	Whitlock	
6,974,610 B1	12/2005	Koppes	
7,107,622 B2	9/2006	Feduzi et al.	
7,144,127 B2	12/2006	Golle et al.	
7,147,339 B2	12/2006	Golle et al.	
7,156,528 B2*	1/2007	Weiss et al. .... 359/529	
7,220,011 B2	5/2007	Hurwitz	
7,229,183 B2	6/2007	Golle et al.	
7,229,184 B2	6/2007	Golle et al.	
7,281,813 B2	10/2007	Golle et al.	
D587,909 S *	3/2009	Carlson ..... D5/63	
D594,663 S *	6/2009	Vandenberg ..... D5/63	
D594,664 S *	6/2009	Otte ..... D5/63	
2002/0141060 A1*	10/2002	Lu et al. .... 359/530	

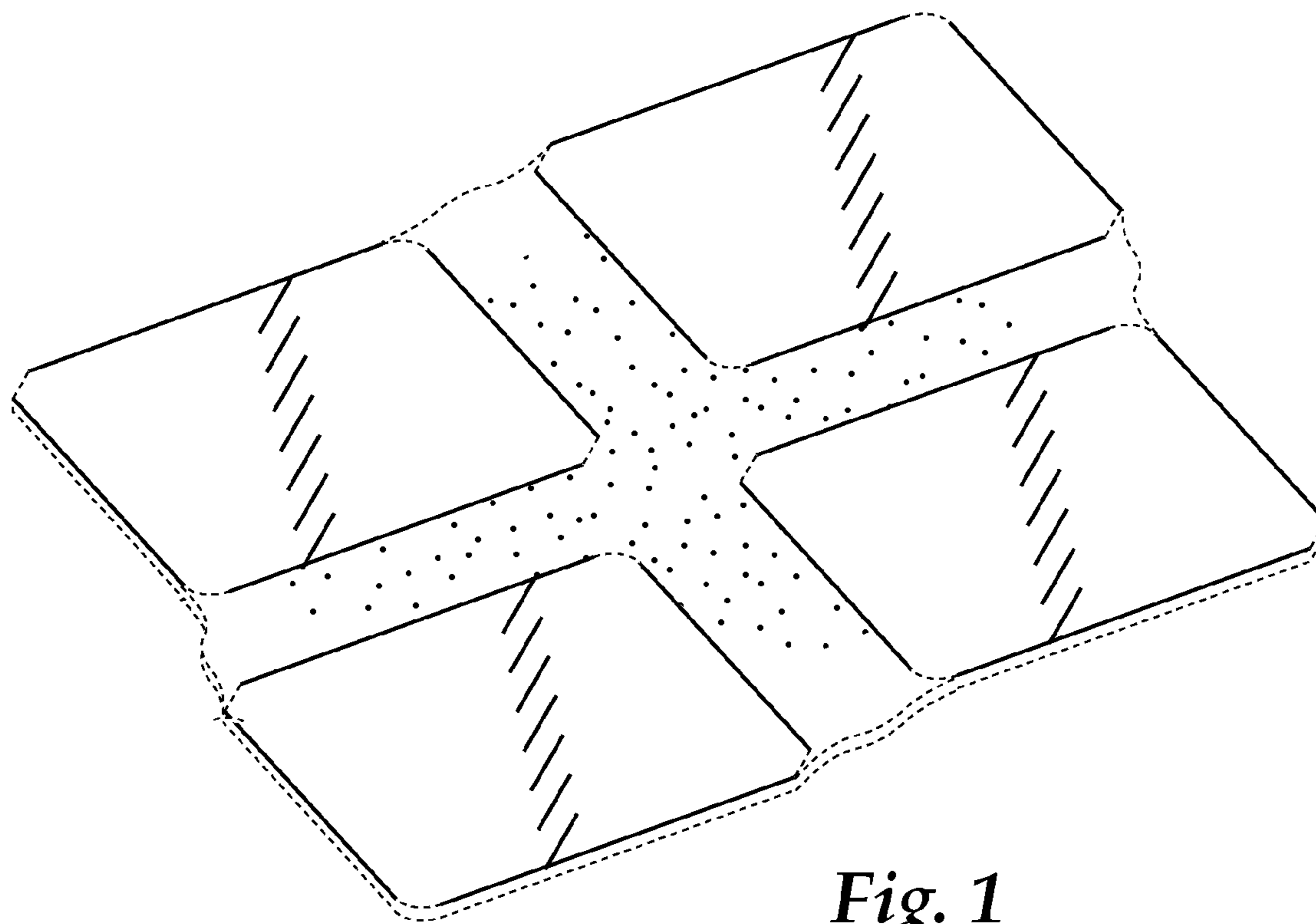
  

FOREIGN PATENT DOCUMENTS		
DE	20313630 U1	9/2003
DE	202004011734 U1	9/2003
EP	0 166 534 A1	1/1986
EP	0 648 436 A1	4/1995
EP	1 084 633 A1	3/2001
EP	0 759 179 B1	11/2001
FR	2 896 608	1/2006
GB	2 408 915 A	6/2005
WO	WO 94/25666	11/1994
WO	WO 98/58281	12/1998
WO	WO 03/007740 A2	1/2003

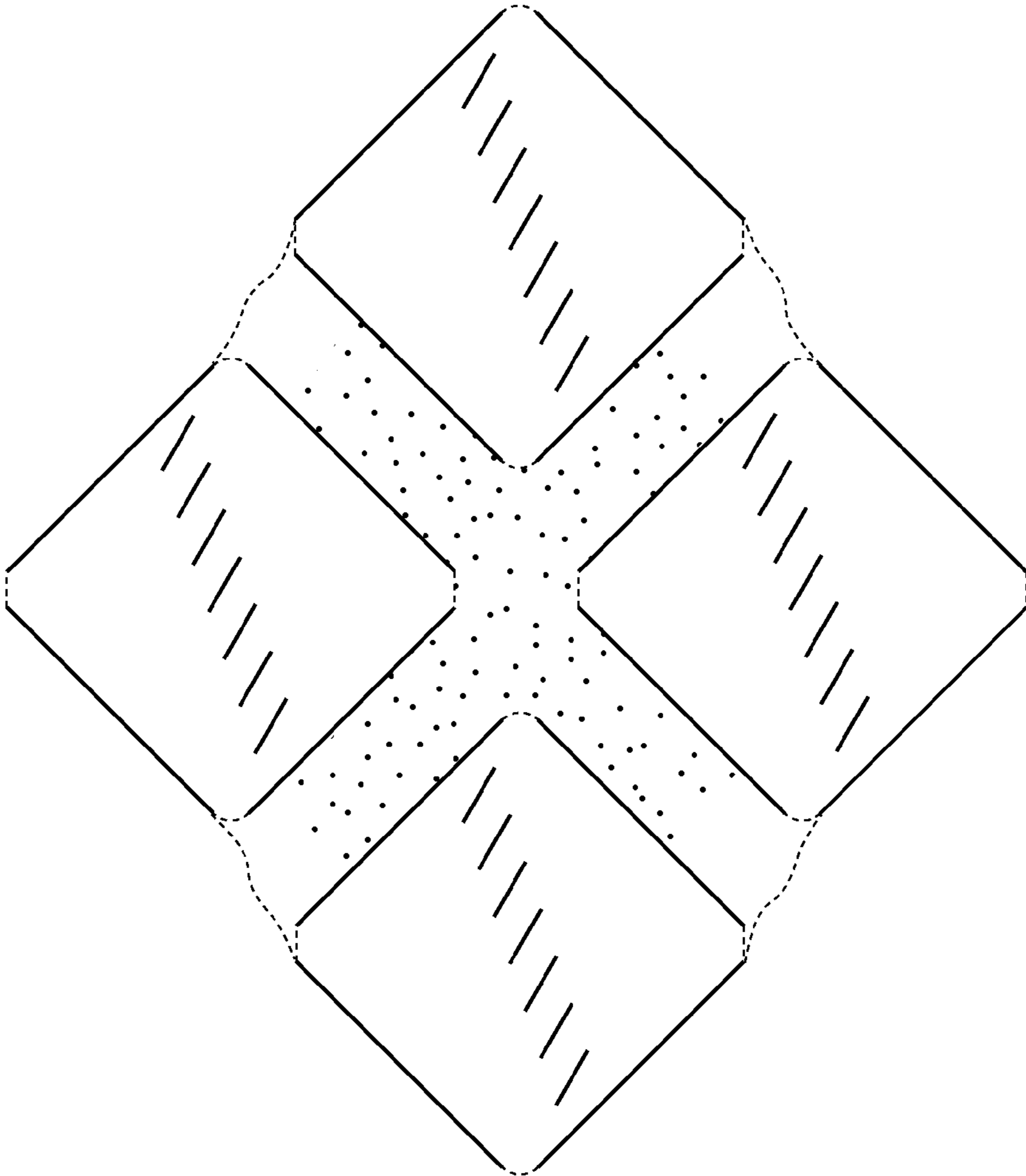
  

OTHER PUBLICATIONS	
US D571,107, 06/2008,	Otte et al. (withdrawn)

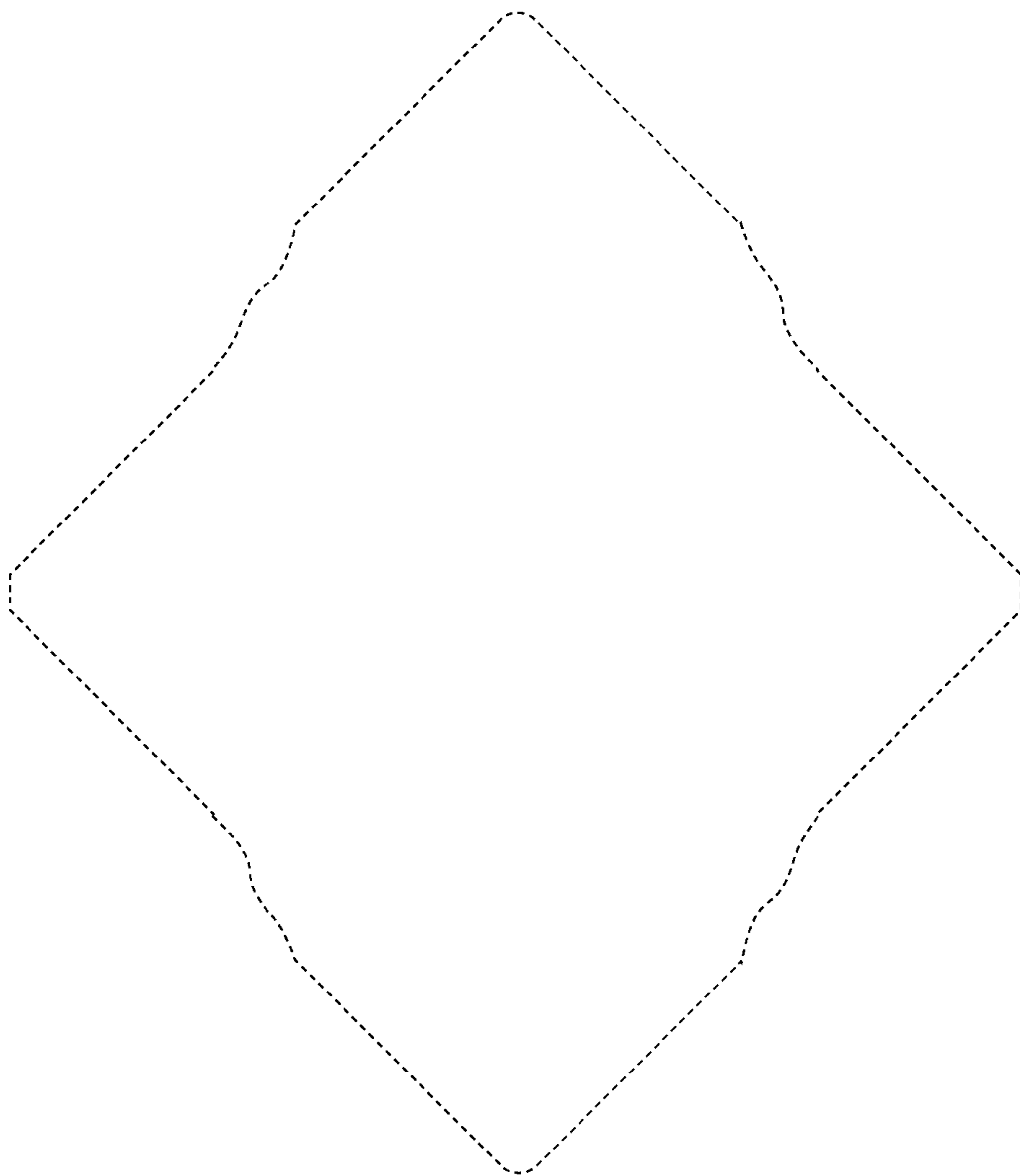
\* cited by examiner



*Fig. 1*



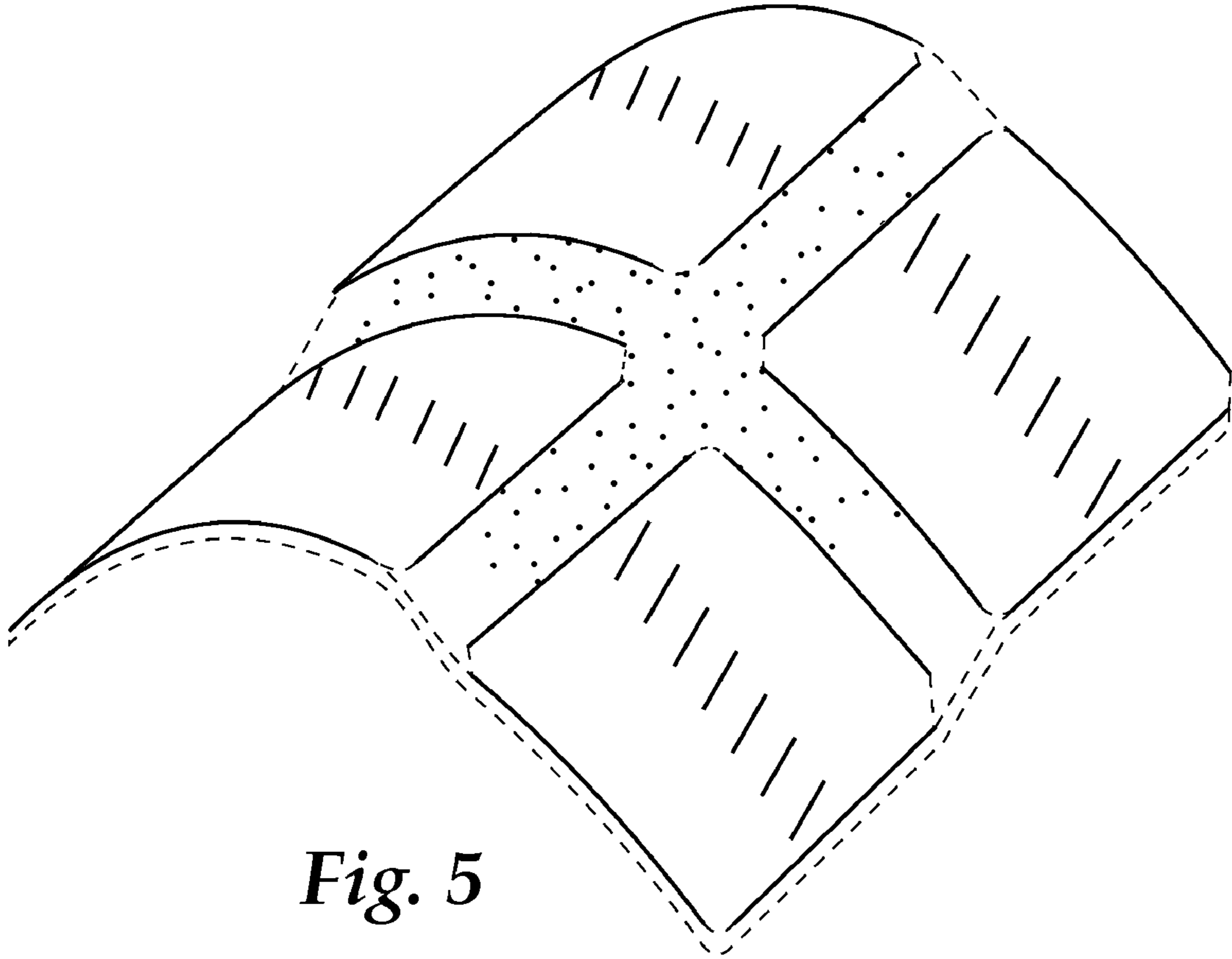
*Fig. 2*



*Fig. 3*



*Fig. 4*



*Fig. 5*