



US00D613071S

(12) **United States Design Patent**  
**Berhault**

(10) **Patent No.:** **US D613,071 S**  
(45) **Date of Patent:** **\*\* Apr. 6, 2010**

(54) **MASCARA BRUSH**

**FOREIGN PATENT DOCUMENTS**

(75) Inventor: **Alain Berhault**, Paris (FR)

EP 1384417 1/2004

(73) Assignee: **Alcan Packaging Beauty Services** (FR)

(Continued)

(\*\*) Term: **14 Years**

**OTHER PUBLICATIONS**

(21) Appl. No.: **29/323,053**

EM 540869-0002 Industrial Design Application, (Geka Brush GmbH) Jul. 18, 2006, [online], [retrieved on Sep. 28, 2008] Retrieved from the OAMI Database of the Office for Harmonization in the Internal Market using the Internet <URL: http://oami.europa.eu>.

(22) Filed: **Aug. 15, 2008**

(Continued)

**Related U.S. Application Data**

*Primary Examiner*—Melanie H Tung

(62) Division of application No. 29/279,793, filed on May 8, 2007, now Pat. No. Des. 581,169.

*Assistant Examiner*—Lavone D Tabor

(74) *Attorney, Agent, or Firm*—Banner & Witcoff, Ltd.

(30) **Foreign Application Priority Data**

(57) **CLAIM**

Nov. 9, 2006 (EM) ..... 000 623 202

The ornamental design for a mascara brush, as shown and described.

(51) **LOC (9) Cl.** ..... **04-02**

(52) **U.S. Cl.** ..... **D4/133; D4/136**

(58) **Field of Classification Search** ..... D4/119, D4/128, 133, 136; D28/7, 35-37; 132/216, 132/218, 223, 226, 237, 262, 271, 317, 320; 401/28, 126, 127, 129; 15/186-188, DIG. 5  
See application file for complete search history.

**DESCRIPTION**

FIG. 1 is a rear right perspective view of a mascara brush showing my new design;

FIG. 2 is a top plan view thereof;

FIG. 3 is a right elevation view thereof;

FIG. 4 is a bottom plan view thereof;

FIG. 5 is a left elevation view thereof;

FIG. 6 is a front end view thereof, enlarged to depict my claimed design more clearly; and,

FIG. 7 is a rear end view thereof, enlarged to depict my claimed design more clearly.

The dash-dot-dash lines immediately adjacent to the shaded areas of the mascara brush represent unclaimed boundaries of the claimed design. The dot-dot lines showing the remainder of the mascara brush are for illustrative purposes only and form no part of the claimed design.

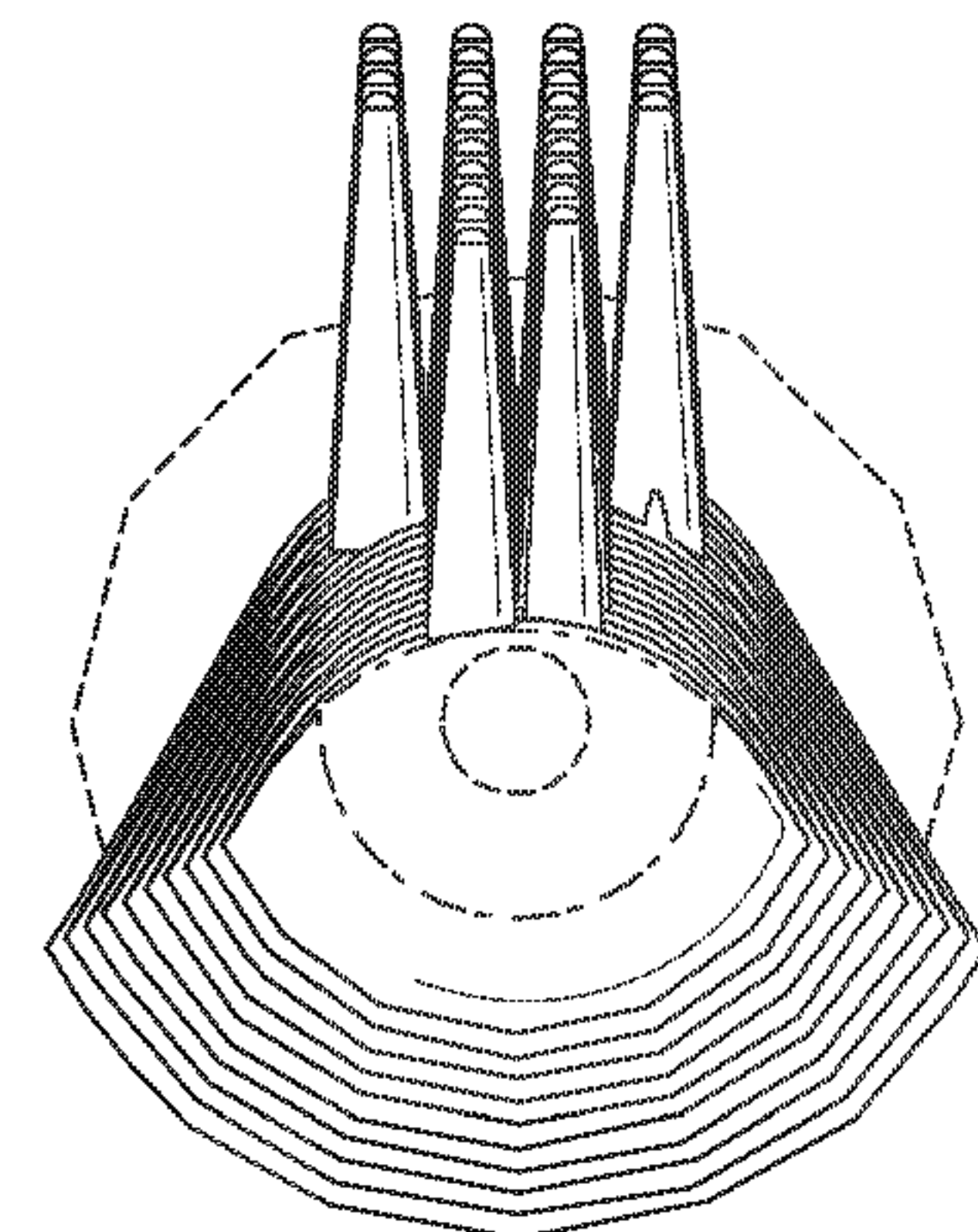
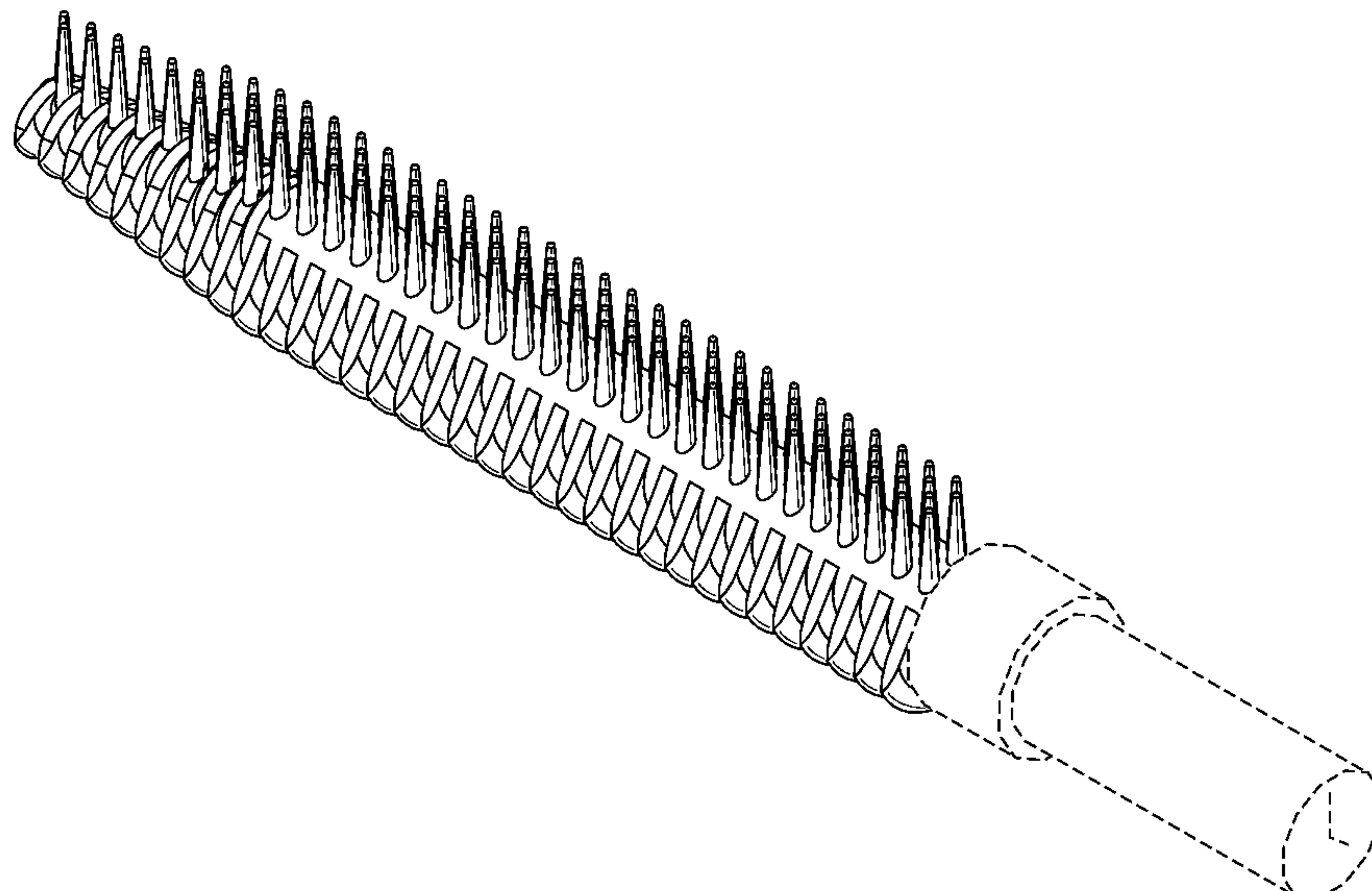
(56) **References Cited**

**U.S. PATENT DOCUMENTS**

3,908,676	A *	9/1975	Levine et al.	132/218
D247,076	S	1/1978	MacCollum	
4,527,575	A	7/1985	Vasas	
4,565,205	A *	1/1986	Taylor	132/218
4,635,659	A	1/1987	Spatz	
4,964,429	A	10/1990	Cole	
5,345,644	A	9/1994	Gueret	
5,709,230	A	1/1998	Miraglia	
5,794,632	A	8/1998	Gueret	

(Continued)

**1 Claim, 4 Drawing Sheets**



# US D613,071 S

Page 2

## U.S. PATENT DOCUMENTS

5,860,432 A 1/1999 Gueret  
5,862,812 A 1/1999 Dumler  
5,934,292 A 8/1999 Gueret  
D441,199 S 5/2001 Johnstone et al.  
6,616,366 B1 9/2003 Weihrauch  
7,121,284 B2 10/2006 Gueret  
7,171,969 B2 2/2007 Gueret  
7,254,860 B2 8/2007 Dumler et al.  
7,325,550 B2 2/2008 Eckers et al.  
D564,233 S 3/2008 Dumler et al.  
D564,234 S 3/2008 Dumler et al.  
D570,117 S 6/2008 Dumler et al.  
2003/0172485 A1 9/2003 Dumler et al.  
2005/0034740 A1 2/2005 Eckers et al.  
2005/0217691 A1 10/2005 Petit  
2005/0249539 A1 11/2005 Habatjou  
2006/0002758 A1 1/2006 Gueret  
2006/0260633 A1 11/2006 Wyatt et al.  
2006/0289027 A1 12/2006 Wyatt et al.  
2007/0033759 A1 2/2007 Dumler  
2007/0033760 A1 2/2007 Dumler  
2007/0034223 A1 2/2007 Dumler et al.  
2007/0062551 A1 3/2007 De Brouwer et al.  
2007/0062552 A1 3/2007 De Brouwer et al.

2007/0204875 A1 9/2007 Kim  
2007/0221241 A1 9/2007 Gueret  
2008/0011317 A1 1/2008 Malvar et al.  
2008/0023020 A1 1/2008 Gueret

## FOREIGN PATENT DOCUMENTS

EP 1752067 2/2007

## OTHER PUBLICATIONS

EM 330436-0005 Industrial Design Application, (Geka Brush GmbH) Jun. 14, 2005, [online], [retrieved on Sep. 18, 2008] Retrieved from the OAMI Database of the Office for Harmonization in the Internal Market using the Internet <URL: <http://oami.europa.eu>>.

EM 386388-0023 Industrial Design Application, (Geka Brush GmbH) Nov. 1, 2005, [online], [retrieved on Sep. 18, 2008] Retrieved from the OAMI Database of the Office for Harmonization in the Internal Market using the Internet <URL: <http://oami.europa.eu>>.

EM 386388-0025 Industrial Design Application, (Geka Brush GmbH) Aug. 12, 2005, [online], [retrieved on Sep. 30, 2008] Retrieved from the OAMI Database of the Office for Harmonization in the Internal Market using the Internet <URL: <http://oami.europa.eu>>.

\* cited by examiner

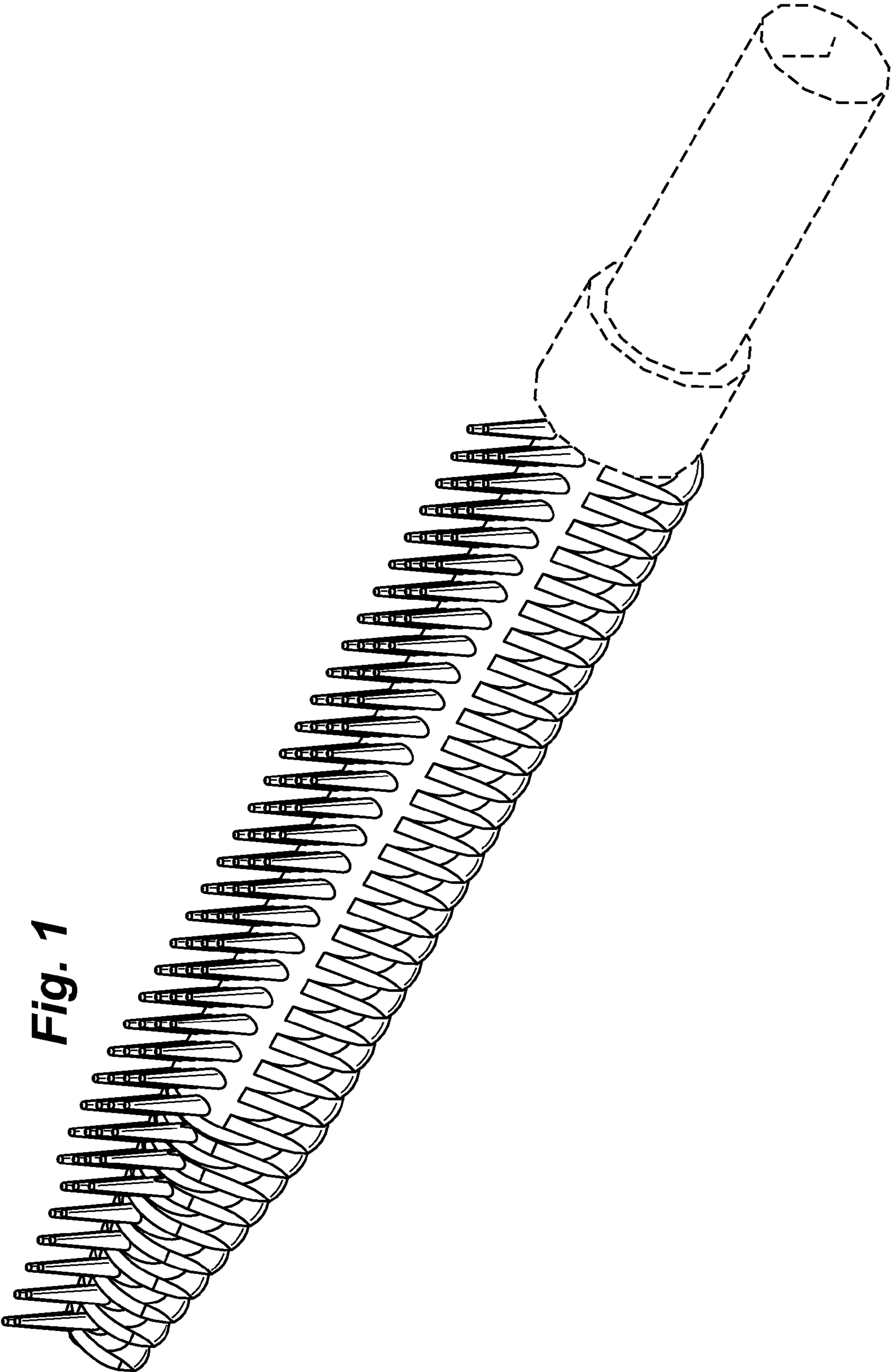
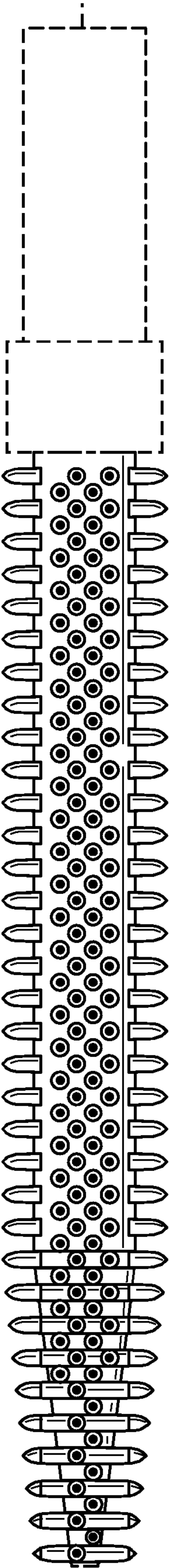


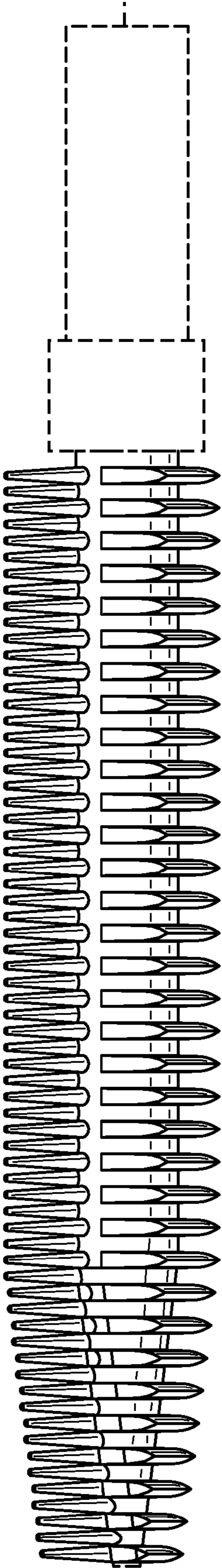
Fig. 1



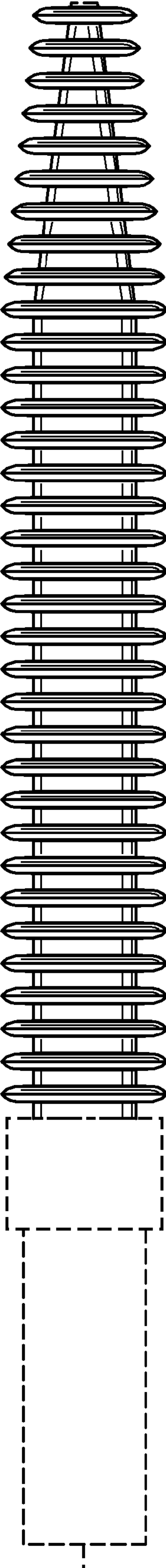
**Fig. 2**



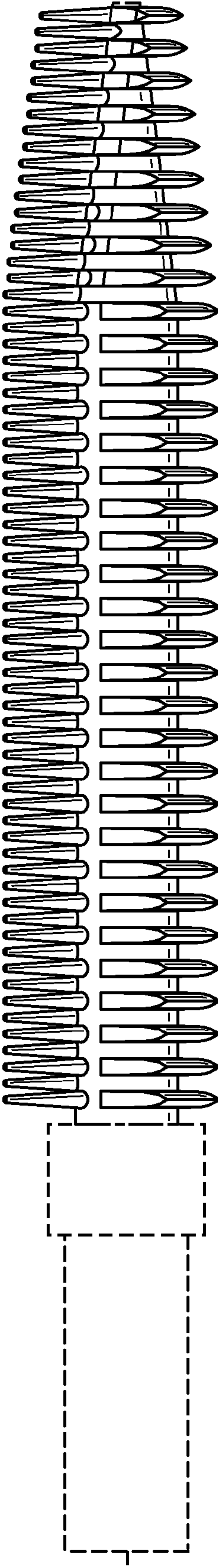
**Fig. 3**



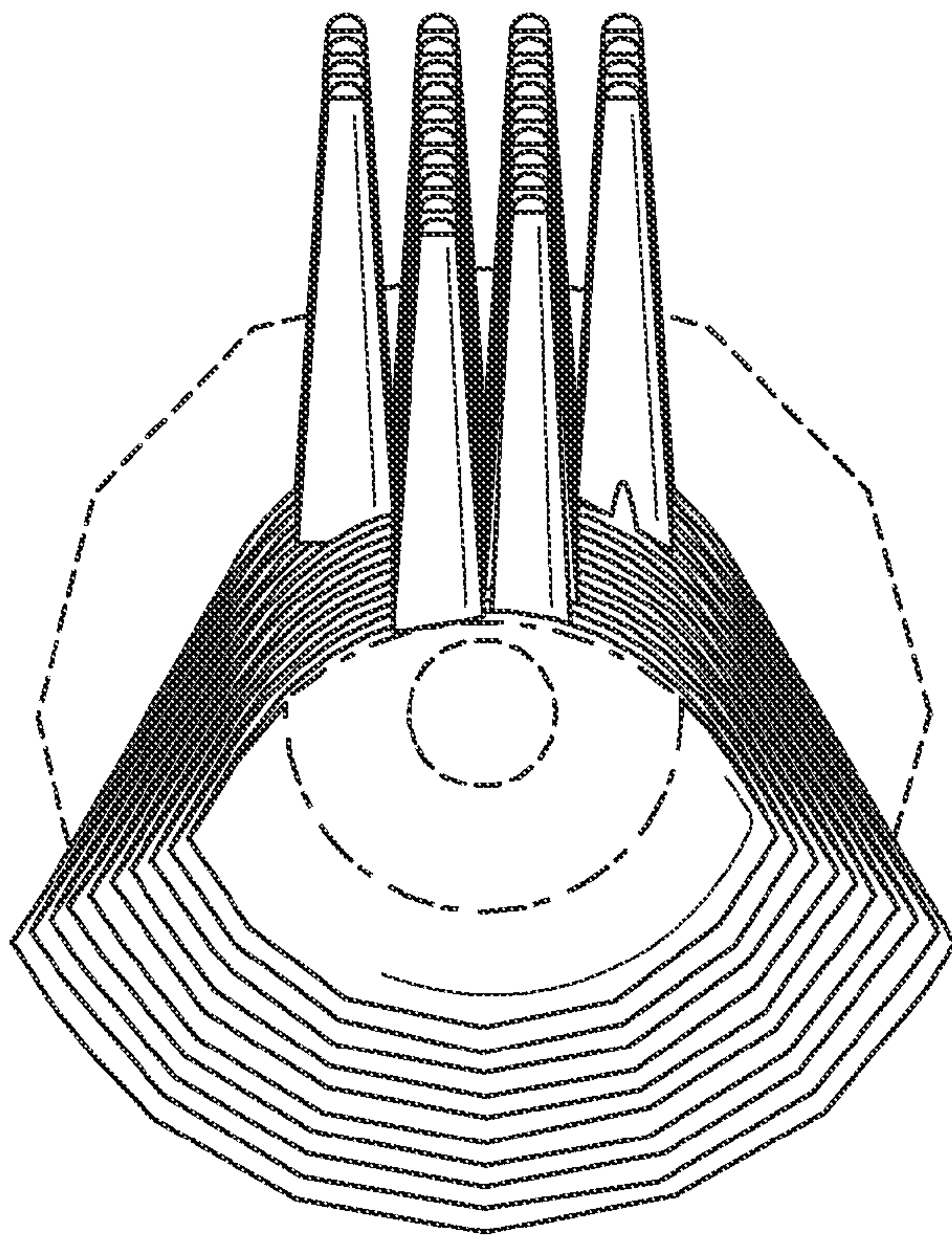
**Fig. 4**



**Fig. 5**



*Fig. 6*



*Fig. 7*

