



US00D613069S

(12) **United States Design Patent**  
**Smith**

(10) **Patent No.:** **US D613,069 S**

(45) **Date of Patent:** **\*\* Apr. 6, 2010**

(54) **COMBINATION TOOTHBRUSH AND PILL CONTAINER**

D459,585 S \* 7/2002 Moreno et al. .... D4/108

(76) Inventor: **Kerry Smith**, 31 Skylark La., Jonesboro, GA (US) 30238

\* cited by examiner

(\*\*) Term: **14 Years**

*Primary Examiner*—Melanie H Tung  
*Assistant Examiner*—Lavone D Tabor  
(74) *Attorney, Agent, or Firm*—Rodgers & Rodgers

(21) Appl. No.: **29/315,753**

(57) **CLAIM**

(22) Filed: **Jul. 22, 2009**

The ornamental design for a combination toothbrush and pill container, as shown and described.

(51) **LOC (9) Cl.** ..... **04-02**

(52) **U.S. Cl.** ..... **D4/108**

(58) **Field of Classification Search** ..... D4/104–112, D4/114, 134, 138; 15/143.1, 167.1, 167.2; 132/308–311; 401/171–175, 192, 277, 281  
See application file for complete search history.

**DESCRIPTION**

(56) **References Cited**

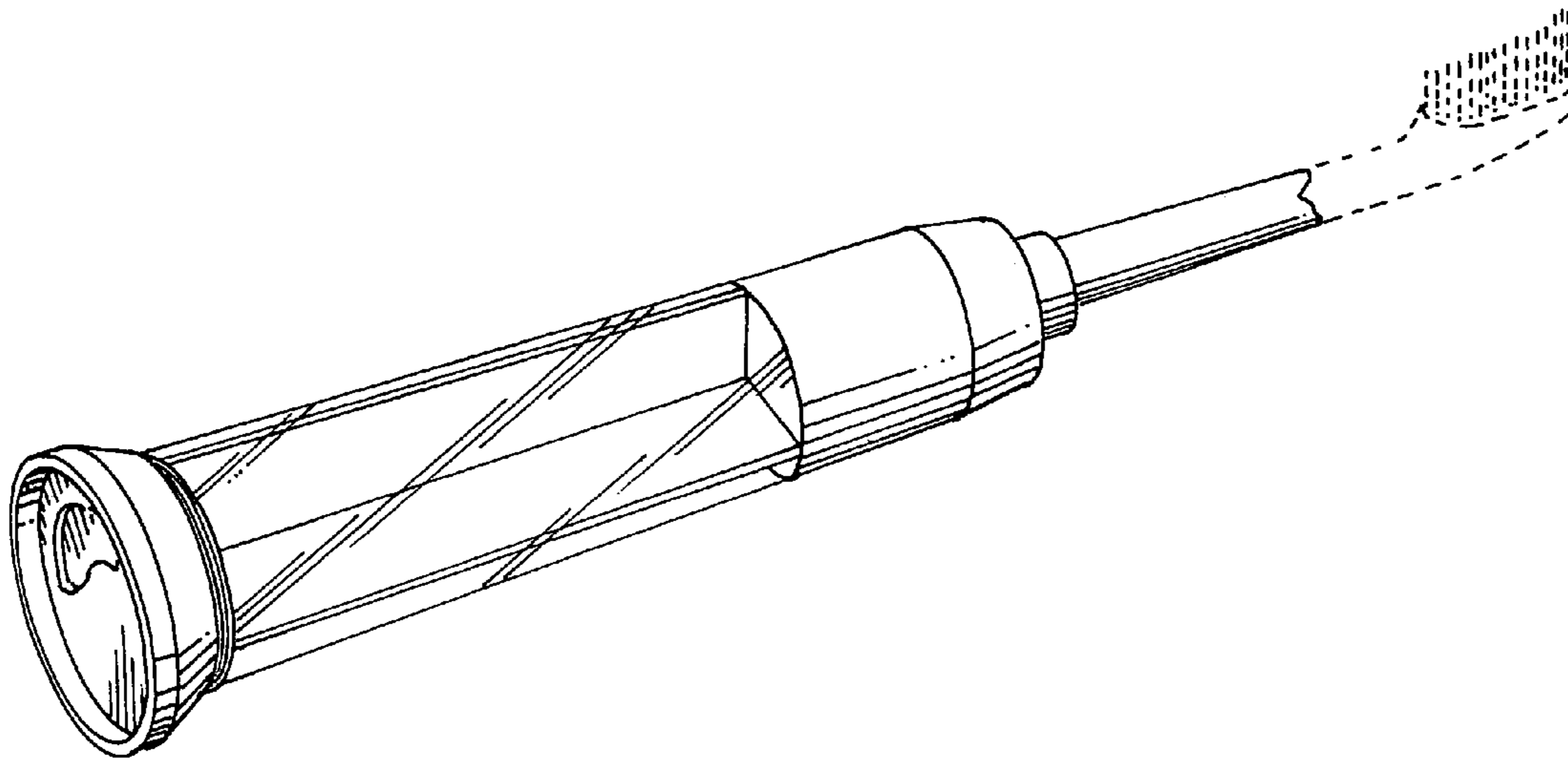
U.S. PATENT DOCUMENTS

1,364,188	A *	1/1921	Draenert	.....	401/192
D115,133	S *	6/1939	Short	.....	D4/108
5,608,940	A *	3/1997	Panyon, Jr.	.....	15/105
D378,957	S *	4/1997	Turner et al.	.....	D4/108
6,129,241	A *	10/2000	Rai	.....	221/185
6,273,629	B1 *	8/2001	Jordan	.....	401/286

FIG. 1 is a perspective view of a combination toothbrush and pill container showing my new design;  
FIG. 2 is a top plan view thereof;  
FIG. 3 is a rear elevational view thereof;  
FIG. 4 is a bottom plan view thereof;  
FIG. 5 is a left-side elevational view thereof; and,  
FIG. 6 is a right-side elevational view thereof.

The broken lines are the for the purpose of illustrating environment and form no part of the claimed design.

**1 Claim, 2 Drawing Sheets**



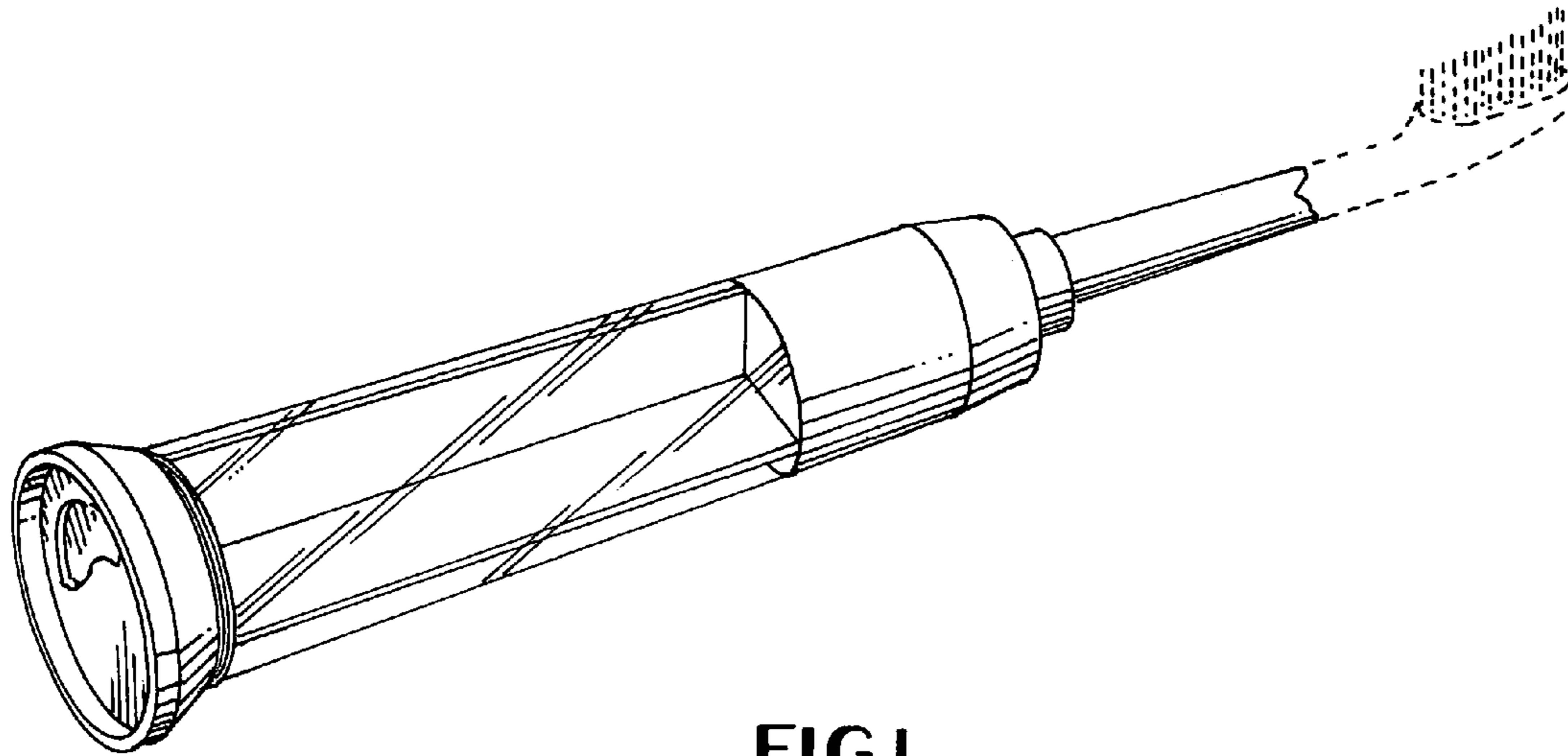


FIG. 1

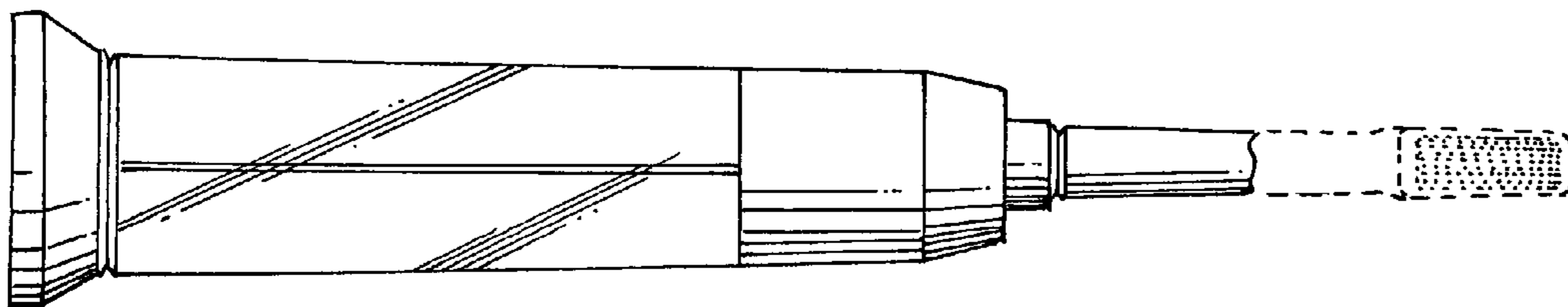


FIG. 2

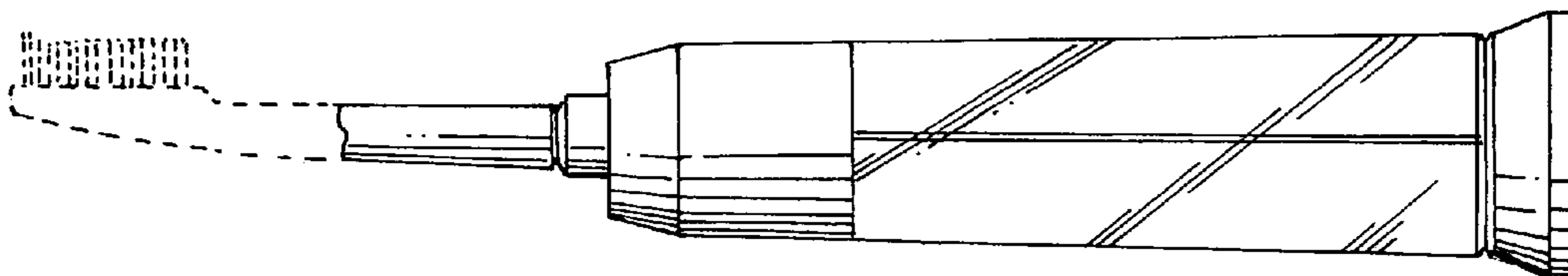


FIG. 3

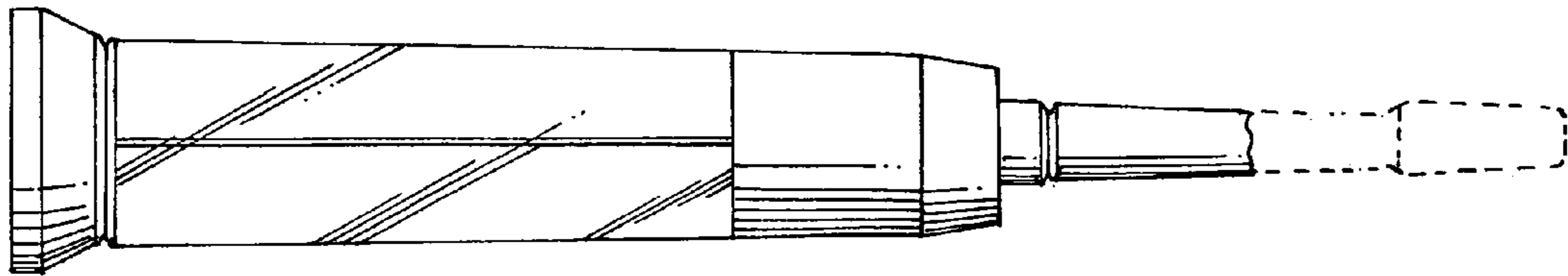


FIG. 4

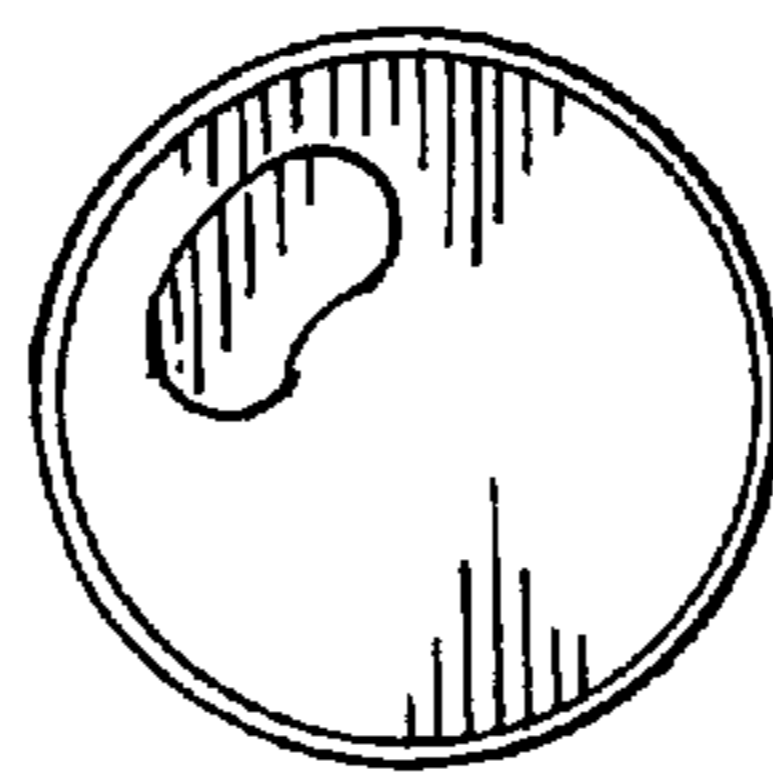


FIG. 5

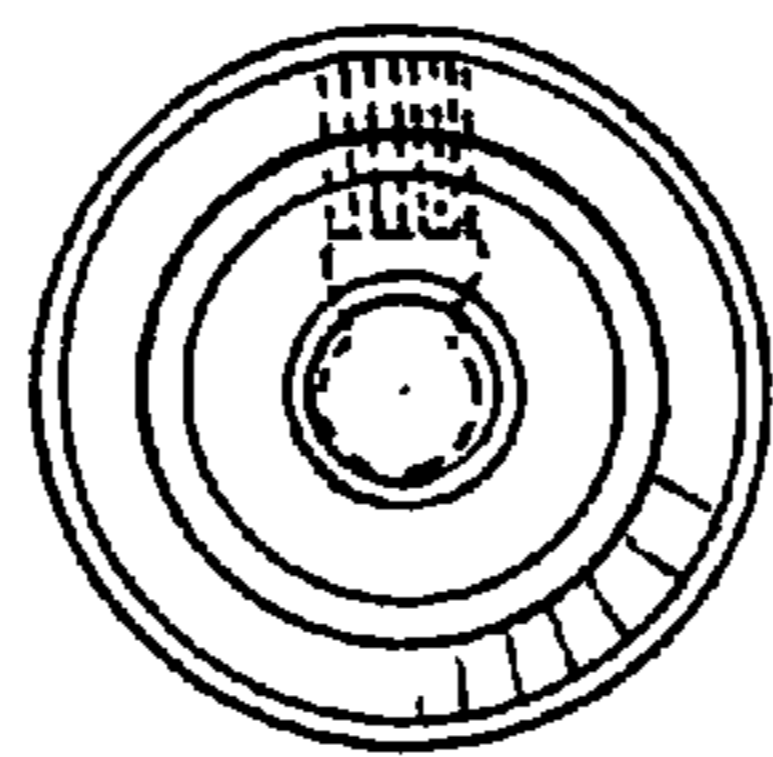


FIG. 6