



US00D613067S

(12) **United States Design Patent**
Ecker

(10) **Patent No.:** **US D613,067 S**

(45) **Date of Patent:** **** Apr. 6, 2010**

(54) **HANDLE FOR CARRYING SACKS AND BAGS**

7,097,223 B1 * 8/2006 Bradford 294/137
D583,155 S * 12/2008 Melfi D3/328

(76) Inventor: **Martin Ecker**, Neufahrner Str. 11,
Neufahrn/Grüneck (DE) 85375

(**) Term: **14 Years**

* cited by examiner

Primary Examiner—Holly H Baynham

(21) Appl. No.: **29/331,483**

(22) Filed: **Jan. 27, 2009**

(57) **CLAIM**

The ornamental design of a handle for carrying sacks and bags, as shown and described.

(30) **Foreign Application Priority Data**

Jul. 29, 2008 (EM) 009787709

DESCRIPTION

(51) **LOC (9) Cl.** **03-01**

(52) **U.S. Cl.** **D3/328**

(58) **Field of Classification Search** D3/318,
D3/328; 294/168, 137, 170–171
See application file for complete search history.

FIG. 1 is a front perspective view of the handle in an open position;

FIG. 2 is a bottom perspective view the handle in an open position; and,

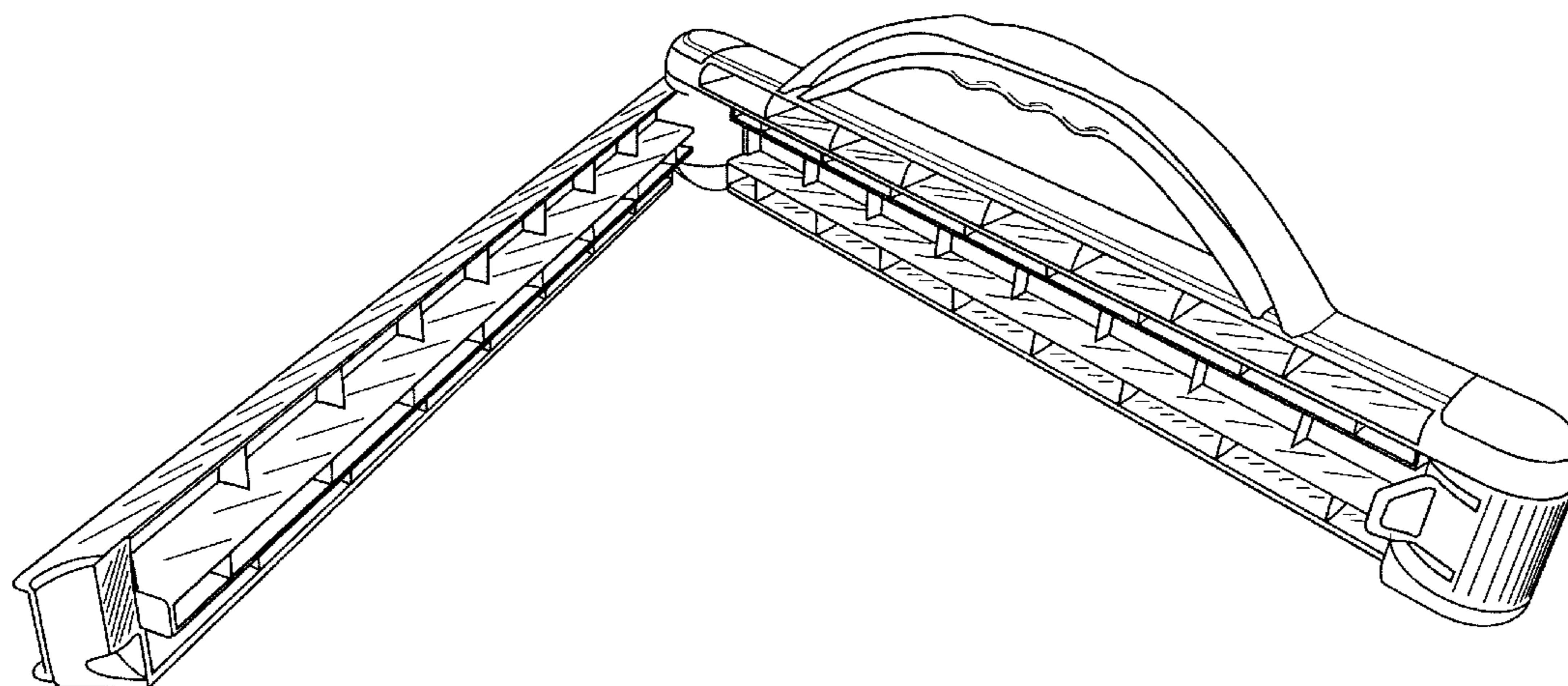
FIG. 3 is a front perspective view of the handle in a closed position.

(56) **References Cited**

U.S. PATENT DOCUMENTS

D385,788 S * 11/1997 Risser D9/434

1 Claim, 3 Drawing Sheets



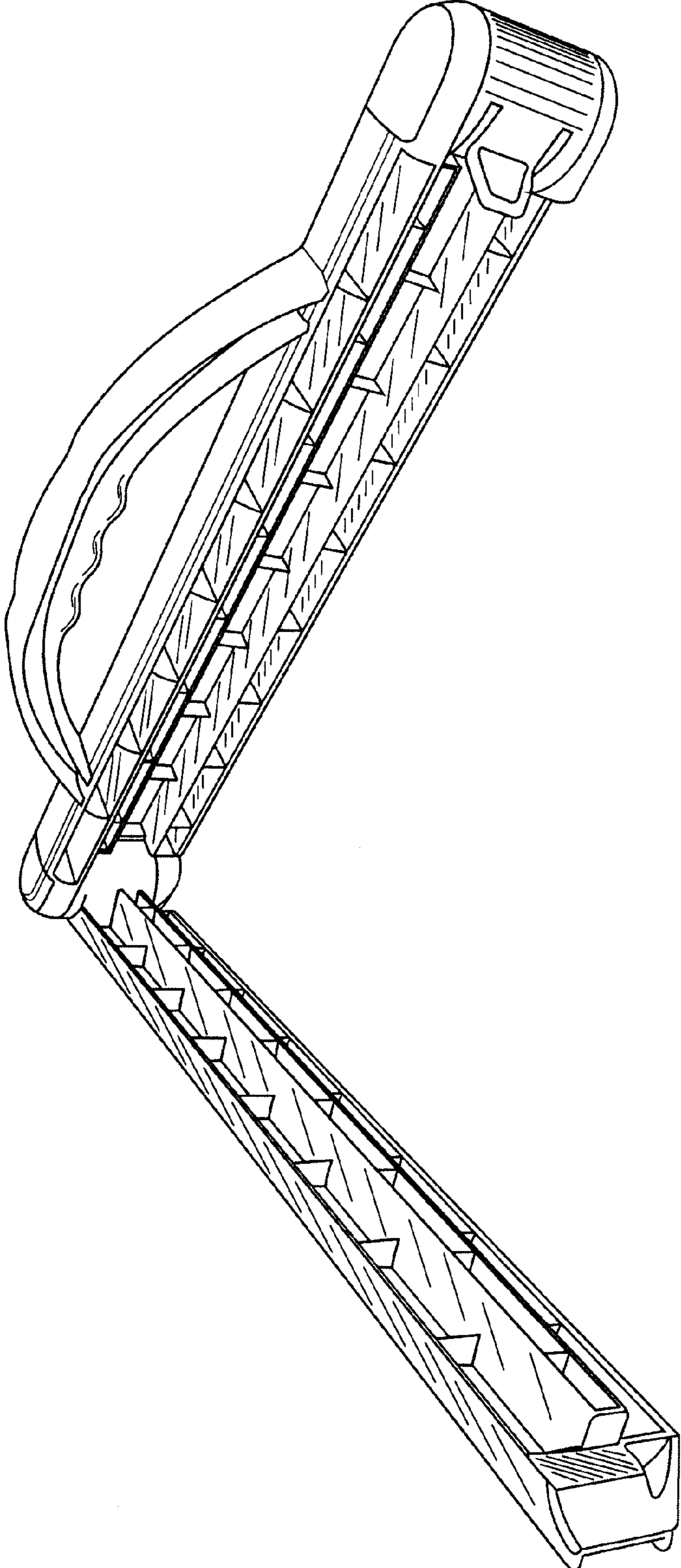


Fig. 1

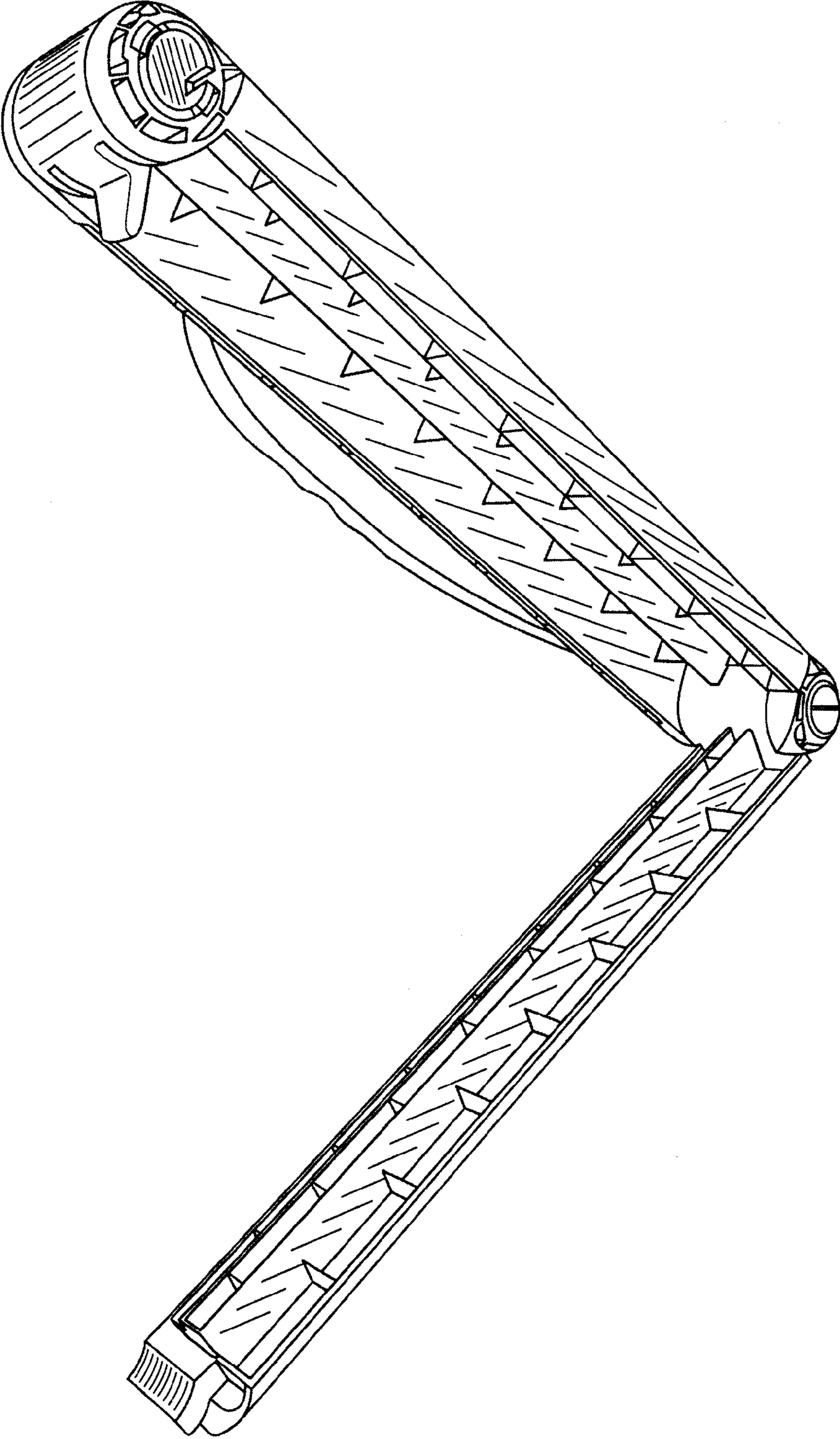


Fig. 2

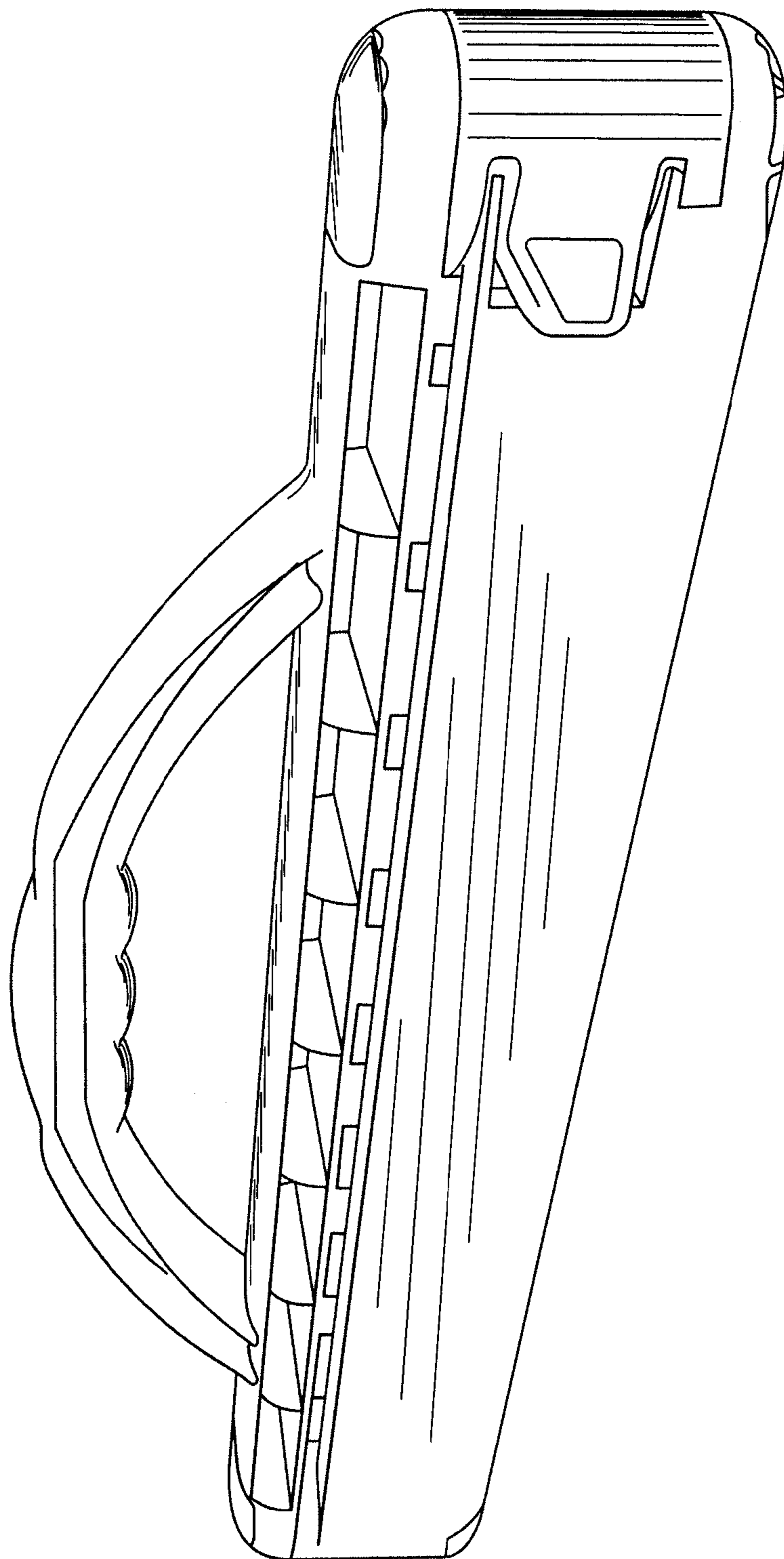


Fig. 3