

US00D613065S

(12) **United States Design Patent**
McGuire et al.

(10) **Patent No.:** **US D613,065 S**
(45) **Date of Patent:** **** Apr. 6, 2010**

(54) **GOLF BAG TOP**

(75) Inventors: **Brian J. McGuire**, Tempe, AZ (US);
Douglas W. Anderson, Phoenix, AZ (US)

(73) Assignee: **Karsten Manufacturing Corporation**, Phoenix, AZ (US)

(**) Term: **14 Years**

(21) Appl. No.: **29/337,462**

(22) Filed: **May 21, 2009**

(51) **LOC (9) Cl.** **03-01**

(52) **U.S. Cl.** **D3/320**

(58) **Field of Classification Search** D3/320,
D3/318, 319, 321, 328, 328.1, 254; 150/159,
150/160; 211/70.2; 206/315.2-315.8, 315.11;
280/DIG. 6; 473/287

See application file for complete search history.

(56) **References Cited**

U.S. PATENT DOCUMENTS

| | | |
|-------------|---------|----------------|
| D118,815 S | 2/1940 | Ferguson |
| 3,331,419 A | 7/1967 | Bencriscutto |
| 4,596,328 A | 6/1986 | Solheim |
| 4,667,820 A | 5/1987 | Solheim |
| 4,834,235 A | 5/1989 | Solheim et al. |
| 4,844,253 A | 7/1989 | Reimers |
| D308,441 S | 6/1990 | Quellais |
| 5,099,990 A | 3/1992 | Antonious |
| 5,431,278 A | 7/1995 | Gretz |
| 5,450,955 A | 9/1995 | Olson |
| D372,362 S | 8/1996 | Bryant et al. |
| D373,667 S | 9/1996 | Hunsaker |
| D382,406 S | 8/1997 | Kim |
| D382,707 S | 8/1997 | Wang |
| D385,113 S | 10/1997 | Beck et al. |
| D385,114 S | 10/1997 | Su |
| D389,311 S | 1/1998 | Wang |
| D389,650 S | 1/1998 | Rhee |
| 5,725,095 A | 3/1998 | Beck et al. |

| | | |
|-------------|---------|----------------|
| D402,469 S | 12/1998 | Suk |
| 5,860,520 A | 1/1999 | Tang |
| D406,459 S | 3/1999 | Sundara et al. |
| 5,941,383 A | 8/1999 | Chen |
| D421,839 S | 3/2000 | Beck et al. |
| D422,789 S | 4/2000 | Sundara et al. |

(Continued)

OTHER PUBLICATIONS

Frank A. Quartarone et al., "Golf Bag Top," U.S. Appl. No. 29/337,458, filed May 21, 2009.

(Continued)

Primary Examiner—Holly H Baynham
Assistant Examiner—Sheryl Lane

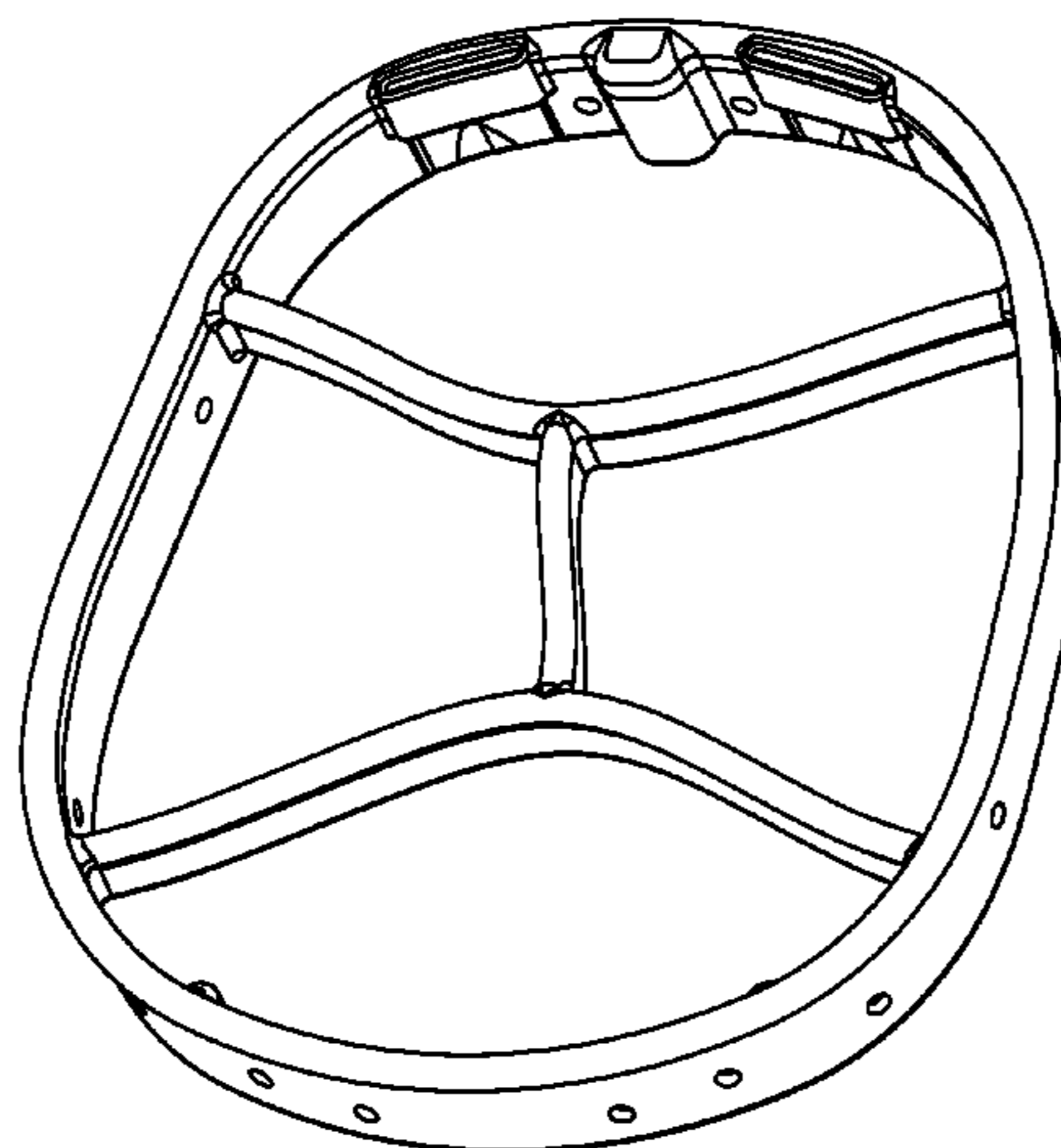
(57) **CLAIM**

The ornamental design for a golf bag top, as shown and described.

DESCRIPTION

FIG. 1 is a top perspective view of a golf bag top;
FIG. 2 is a bottom perspective view of the golf bag top of FIG. 1;
FIG. 3 is a front view of the golf bag top of FIG. 1;
FIG. 4 is a rear view of the golf bag top of FIG. 1;
FIG. 5 is a top view of the golf bag top of FIG. 1;
FIG. 6 is a bottom view of the golf bag top of FIG. 1;
FIG. 7 is a left view of the golf bag top of FIG. 1; and,
FIG. 8 is a right view of the golf bag top of FIG. 1.

1 Claim, 6 Drawing Sheets



US D613,065 S

Page 2

U.S. PATENT DOCUMENTS

| | | | |
|-----------------|---------|--------------------|-----------------|
| D422,791 S | 4/2000 | Han | |
| D429,416 S | 8/2000 | Heidenreich et al. | |
| 6,148,998 A | 11/2000 | Tan | |
| D434,905 S | 12/2000 | Ryan | |
| 6,199,690 B1 | 3/2001 | Shin | |
| D454,249 S | 3/2002 | Schmidt | |
| 6,450,334 B1 | 9/2002 | Chang | |
| 6,494,416 B2 | 12/2002 | Wang | |
| 6,513,653 B1 | 2/2003 | Chen | |
| 6,564,936 B1 | 5/2003 | Campbell | |
| 6,568,527 B1 | 5/2003 | Te-Pin | |
| D478,422 S | 8/2003 | Chen | |
| D487,543 S | 3/2004 | Chang | |
| D493,620 S | 8/2004 | Reimers | |
| D494,761 S | 8/2004 | Gray | |
| 6,817,469 B2 | 11/2004 | Chang | |
| D501,604 S | 2/2005 | Kadoya | |
| 6,877,604 B2 | 4/2005 | Pratt et al. | |
| D512,838 S | 12/2005 | Schmidt et al. | |
| D513,125 S | 12/2005 | Anderson | |
| D513,876 S | 1/2006 | Solheim et al. | |
| D513,877 S * | 1/2006 | Solheim et al. | D3/320 |
| D513,878 S | 1/2006 | Anderson et al. | |
| D515,316 S | 2/2006 | Chang | |
| D517,808 S * | 3/2006 | Reimers et al. | D3/320 |
| 7,014,040 B2 | 3/2006 | Anderson et al. | |
| D520,751 S | 5/2006 | Chang | |
| D520,752 S | 5/2006 | Solheim et al. | |
| D522,754 S | 6/2006 | Anderson | |
| D523,639 S | 6/2006 | Vosloo et al. | |
| D523,640 S | 6/2006 | Vosloo et al. | |
| D525,034 S | 7/2006 | Vosloo | |
| D526,124 S * | 8/2006 | Vosloo | D3/320 |
| D528,799 S * | 9/2006 | Vosloo | D3/320 |
| D530,922 S | 10/2006 | Anderson | |
| 7,124,887 B2 | 10/2006 | Reimers | |
| D534,355 S | 1/2007 | Renahan | |
| D537,252 S | 2/2007 | Vosloo et al. | |
| D537,634 S | 3/2007 | Renahan | |
| D537,635 S * | 3/2007 | Vosloo et al. | D3/320 |
| D538,042 S | 3/2007 | Suggs | |
| 7,213,705 B2 * | 5/2007 | Pratt et al. | 206/315.6 |
| 7,216,762 B2 | 5/2007 | Chen | |
| D544,210 S | 6/2007 | McGuire et al. | |
| D546,064 S | 7/2007 | Vosloo et al. | |
| D546,561 S | 7/2007 | Vosloo et al. | |
| D557,501 S | 12/2007 | Suggs et al. | |
| D557,502 S | 12/2007 | Quartarone et al. | |
| D566,398 S | 4/2008 | Hooley | |
| D566,965 S | 4/2008 | Hooley | |
| D566,966 S | 4/2008 | Hooley | |
| 7,357,251 B2 | 4/2008 | Vosloo et al. | |
| D577,916 S | 10/2008 | Quartarone et al. | |
| D580,656 S * | 11/2008 | Quartarone et al. | D3/320 |
| 2001/0025802 A1 | 10/2001 | Sutter et al. | |
| 2002/0179466 A1 | 12/2002 | Maeng | |
| 2002/0189962 A1 | 12/2002 | Chen | |
| 2004/0079658 A1 | 4/2004 | Larson et al. | |
| 2004/0211688 A1 | 10/2004 | Doss | |
| 2005/0092630 A1 | 5/2005 | Chen | |
| 2008/0164165 A1 | 7/2008 | McGuire et al. | |

OTHER PUBLICATIONS

Frank A. Quartarone et al., "Golf Bag Top," U.S. Appl. No. 29/337,460, filed May 21, 2009.

Brian J. McGuire et al., "Golf Bag Top," U.S. Appl. No. 29/337,463, filed May 21, 2009.

* cited by examiner

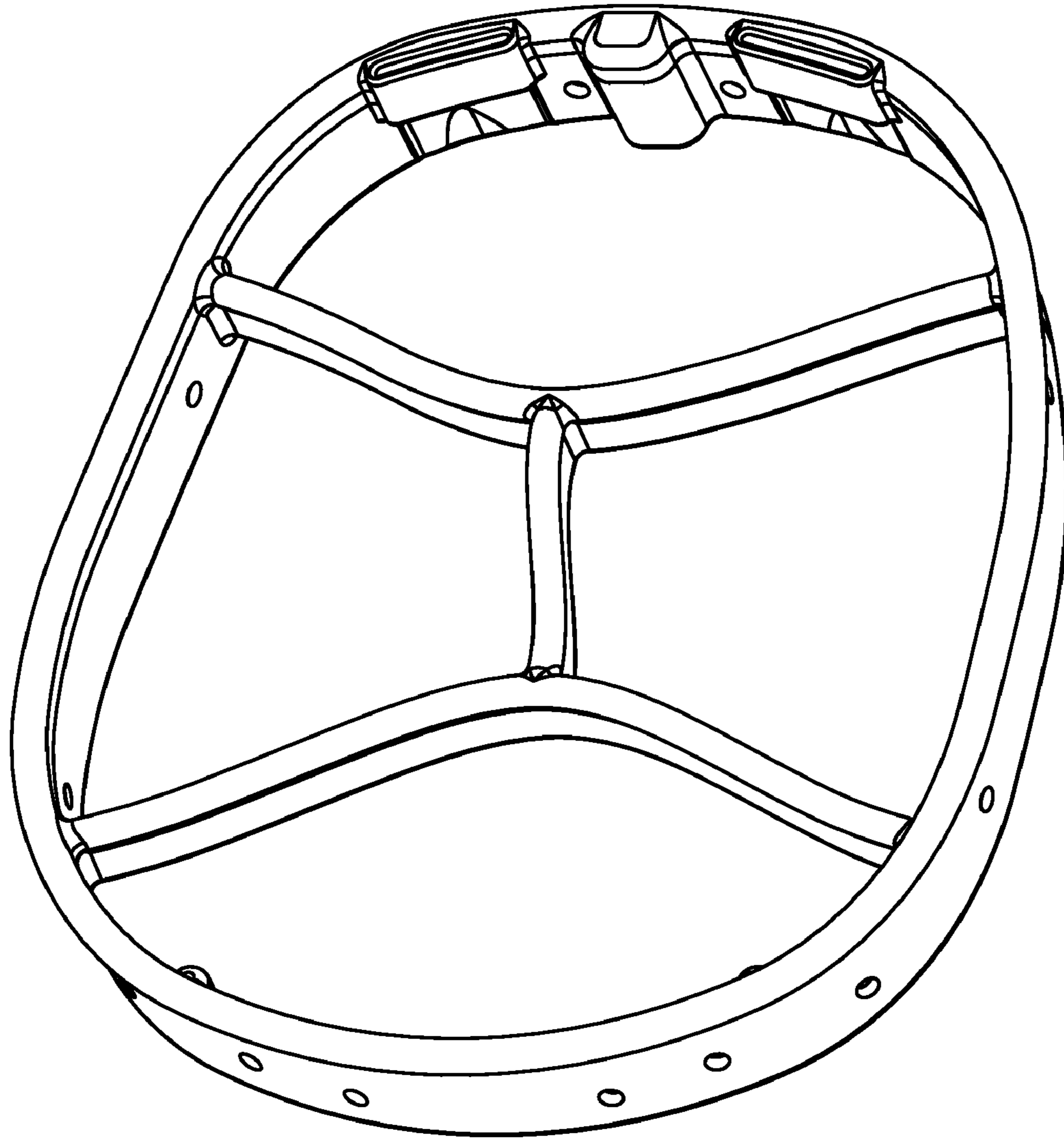


FIG. 1

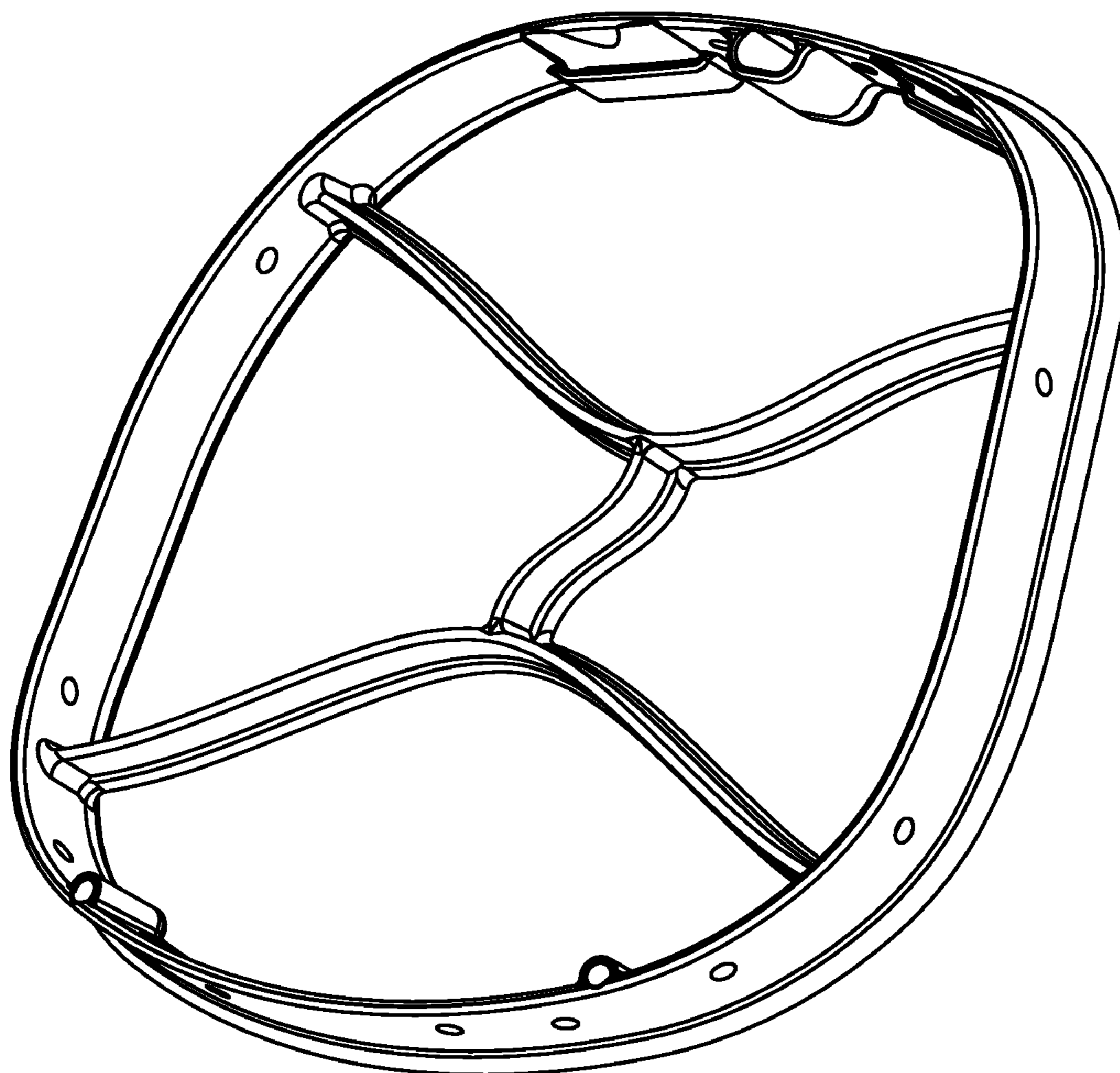


FIG. 2

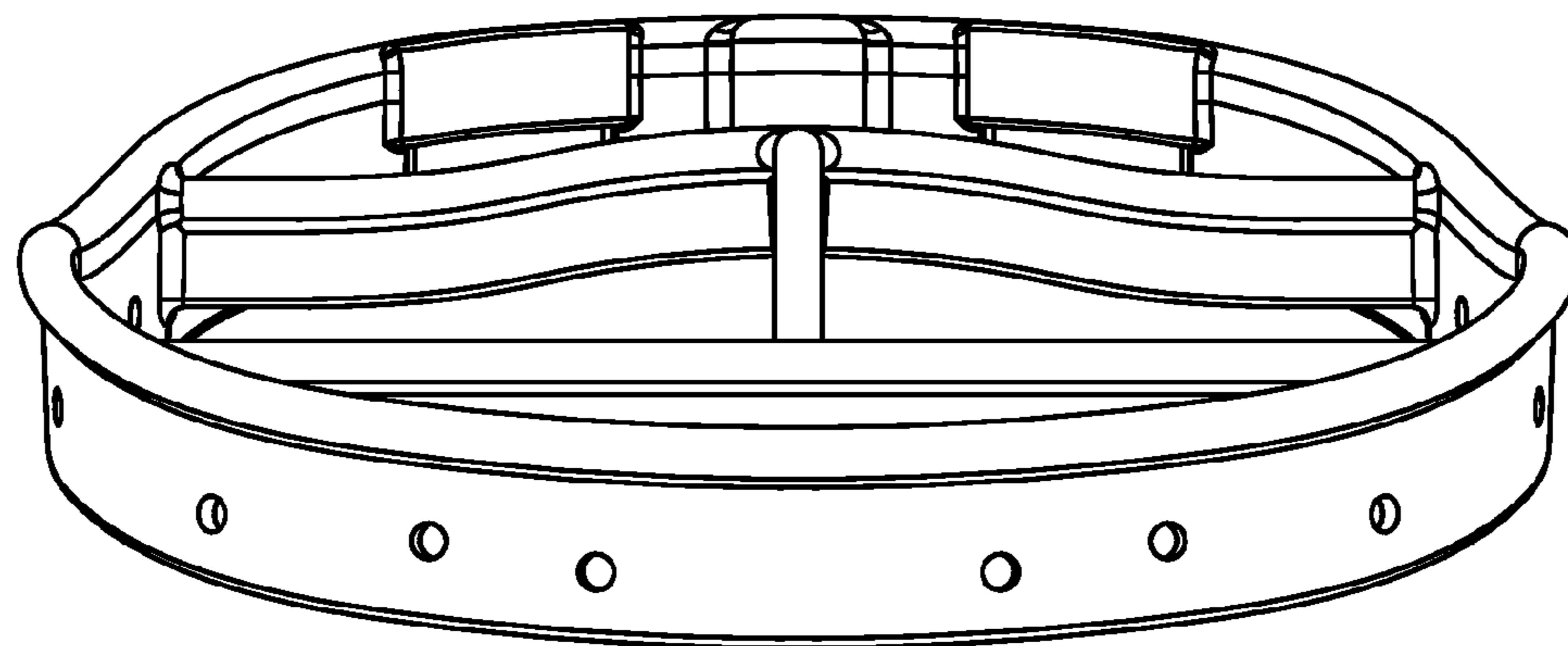


FIG. 3

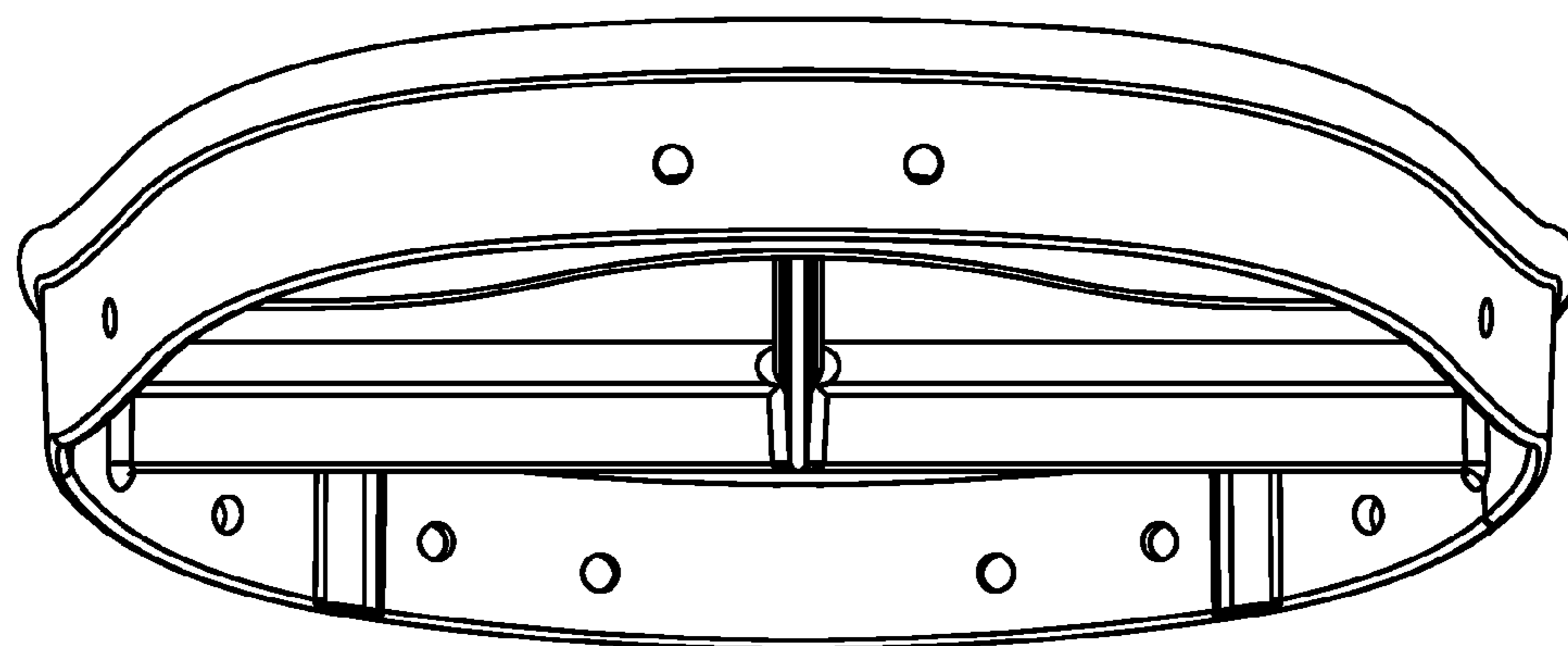


FIG. 4

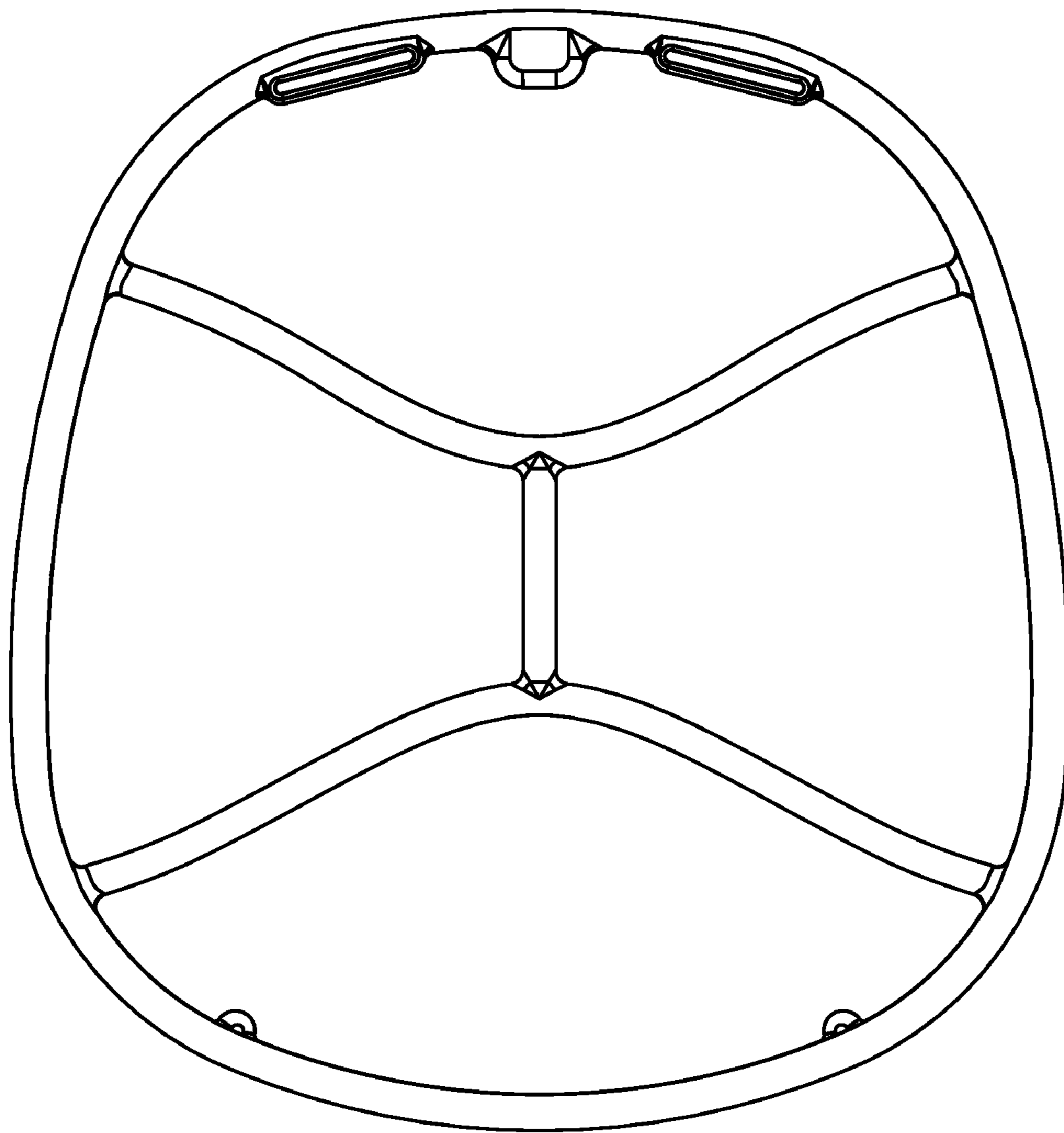


FIG. 5

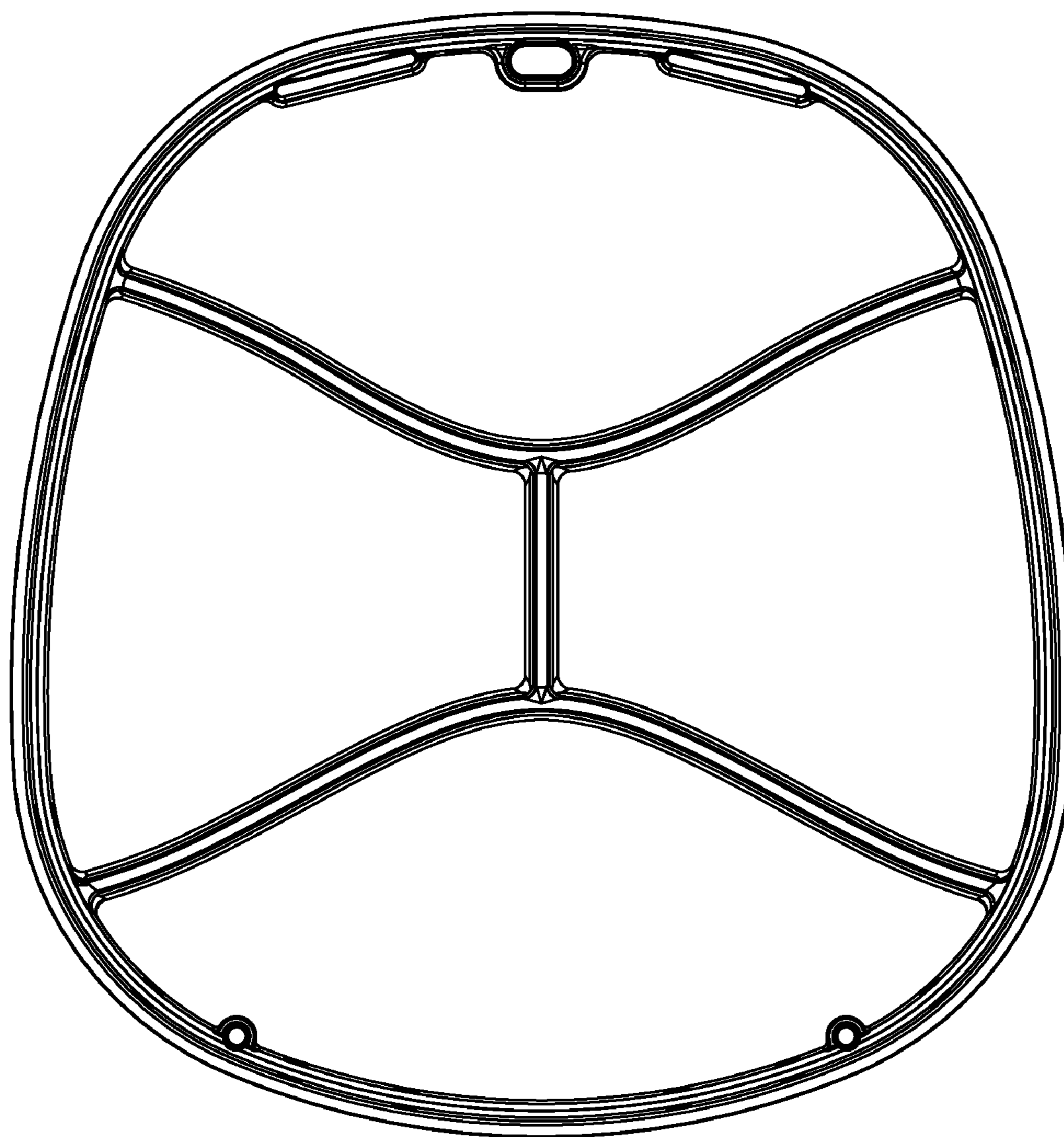


FIG. 6

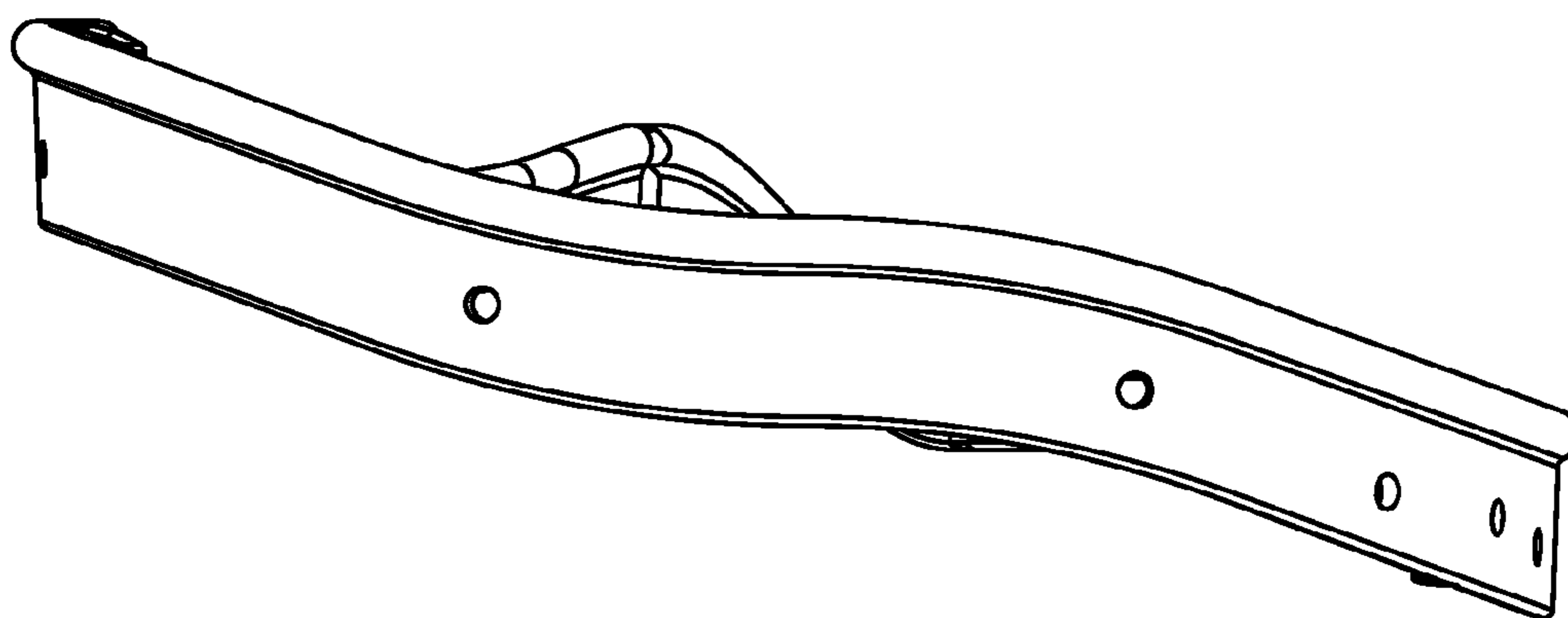


FIG. 7

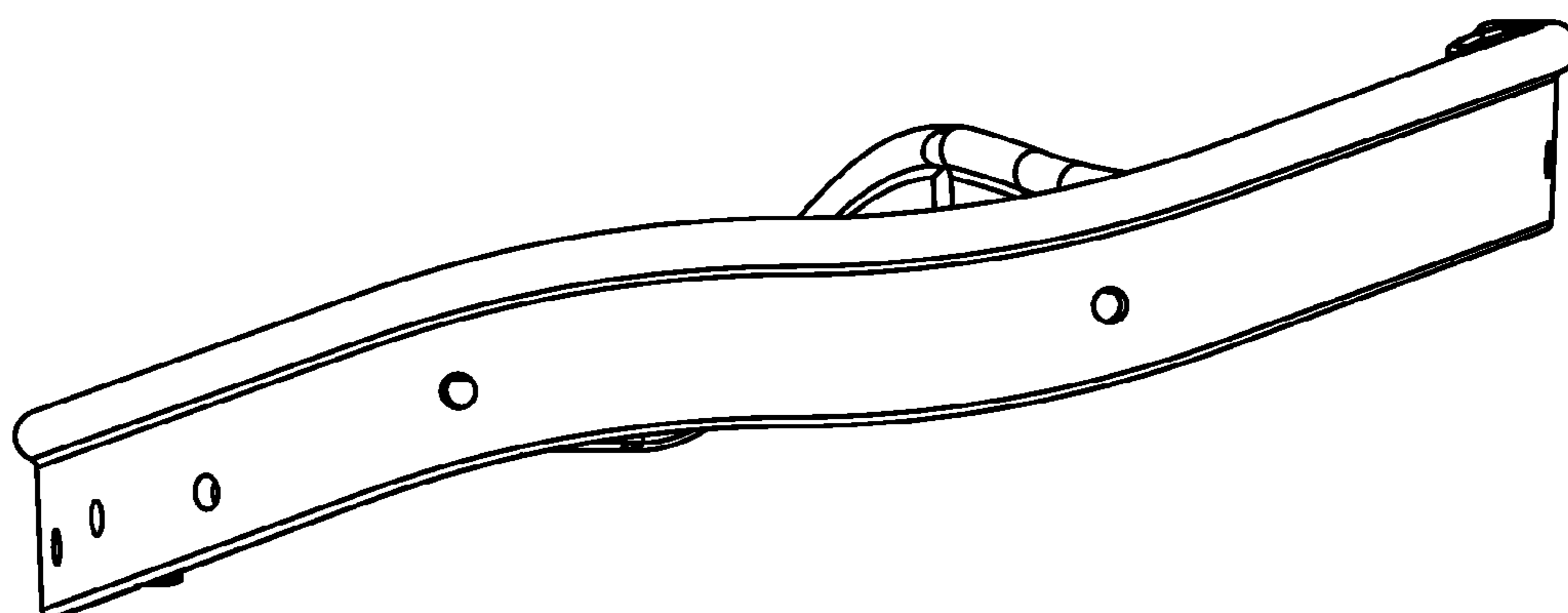


FIG. 8