



US00D613064S

(12) **United States Design Patent**  
**Quartarone, III et al.**

(10) **Patent No.:** **US D613,064 S**  
(45) **Date of Patent:** **\*\* Apr. 6, 2010**

(54) **GOLF BAG TOP**

(75) Inventors: **Frank A. Quartarone, III**, Phoenix, AZ (US); **Douglas W. Anderson**, Phoenix, AZ (US)

(73) Assignee: **Karsten Manufacturing Corporation**, Phoenix, AZ (US)

(\*\*) Term: **14 Years**

(21) Appl. No.: **29/337,460**

(22) Filed: **May 21, 2009**

(51) **LOC (9) Cl.** ..... **03-01**

(52) **U.S. Cl.** ..... **D3/320**

(58) **Field of Classification Search** ..... D3/320,  
D3/318, 319, 321, 328, 328.1, 254; 150/159,  
150/160; 211/70.2; 206/315.2-315.8, 315.11;  
280/DIG. 6; 473/287

See application file for complete search history.

(56) **References Cited**

**U.S. PATENT DOCUMENTS**

D118,815 S	2/1940	Ferguson
3,331,419 A	7/1967	Bencriscutto
4,596,328 A	6/1986	Solheim
4,667,820 A	5/1987	Solheim
4,834,235 A	5/1989	Solheim et al.
4,844,253 A	7/1989	Reimers
D308,441 S	6/1990	Quellais
5,099,990 A	3/1992	Antonious
5,431,278 A	7/1995	Gretz
5,450,955 A	9/1995	Olson
D372,362 S	8/1996	Bryant et al.
D373,667 S	9/1996	Hunsaker
D382,406 S	8/1997	Kim
D382,707 S	8/1997	Wang
D385,113 S	10/1997	Beck et al.
D385,114 S	10/1997	Su
D389,311 S	1/1998	Wang
D389,650 S	1/1998	Rhee
5,725,095 A	3/1998	Beck et al.

D402,469 S	12/1998	Suk
5,860,520 A	1/1999	Tang
D406,459 S	3/1999	Sundara et al.
5,941,383 A	8/1999	Chen
D421,839 S	3/2000	Beck et al.
D422,789 S	4/2000	Sundara et al.

(Continued)

**OTHER PUBLICATIONS**

Frank A. Quartarone et al., "Golf Bag Top," U.S. Appl. No. 29/337,458, filed May 21, 2009.

(Continued)

*Primary Examiner*—Holly H Baynham  
*Assistant Examiner*—Sheryl Lane

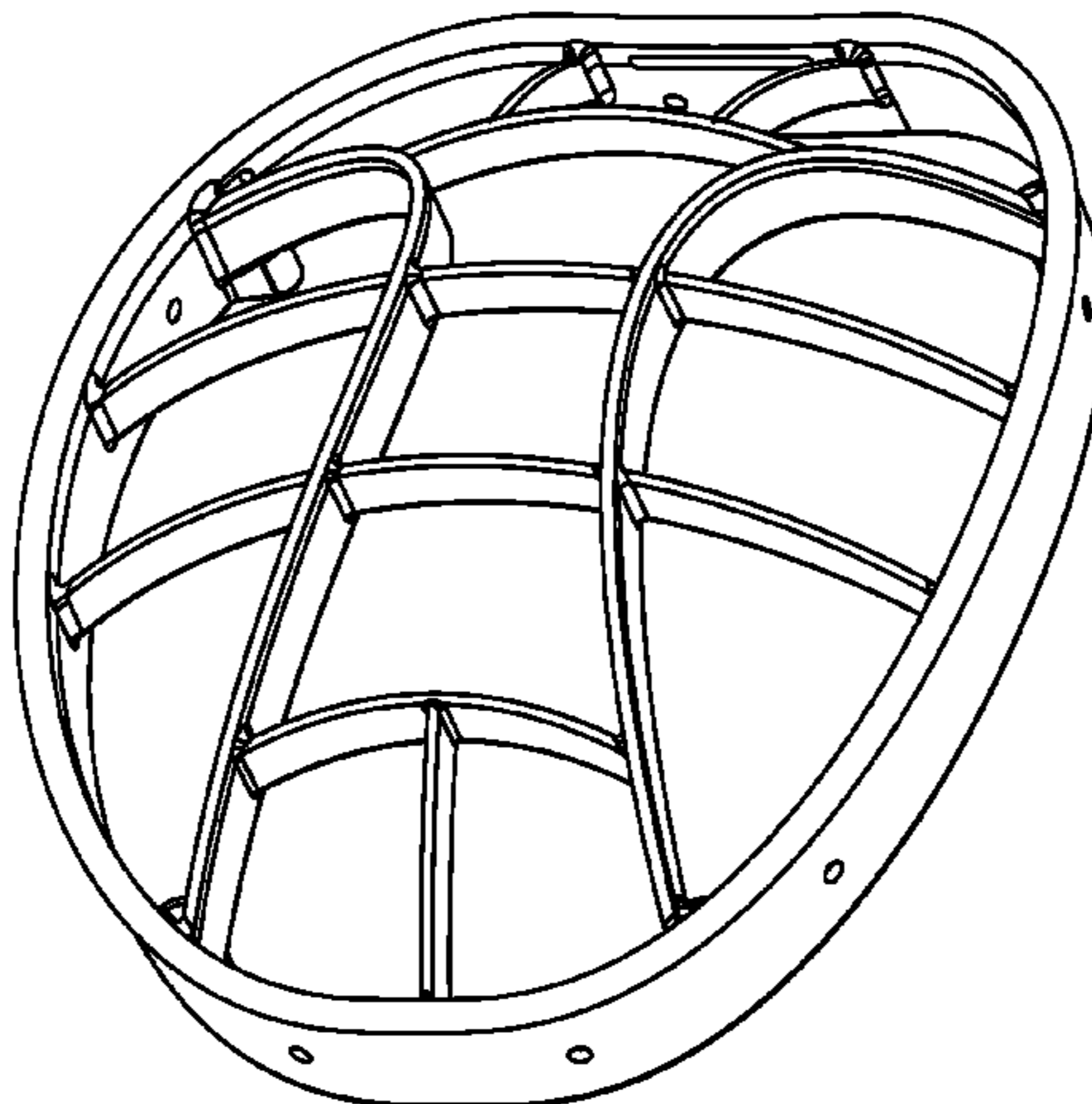
(57) **CLAIM**

The ornamental design for a golf bag top, as shown and described.

**DESCRIPTION**

FIG. 1 is a top perspective view of a golf bag top;  
FIG. 2 is a bottom perspective view of the golf bag top of FIG. 1;  
FIG. 3 is a front view of the golf bag top of FIG. 1;  
FIG. 4 is a rear view of the golf bag top of FIG. 1;  
FIG. 5 is a top view of the golf bag top of FIG. 1;  
FIG. 6 is a bottom view of the golf bag top of FIG. 1;  
FIG. 7 is a left view of the golf bag top of FIG. 1; and,  
FIG. 8 is a right view of the golf bag top of FIG. 1.

**1 Claim, 6 Drawing Sheets**



# US D613,064 S

Page 2

## U.S. PATENT DOCUMENTS

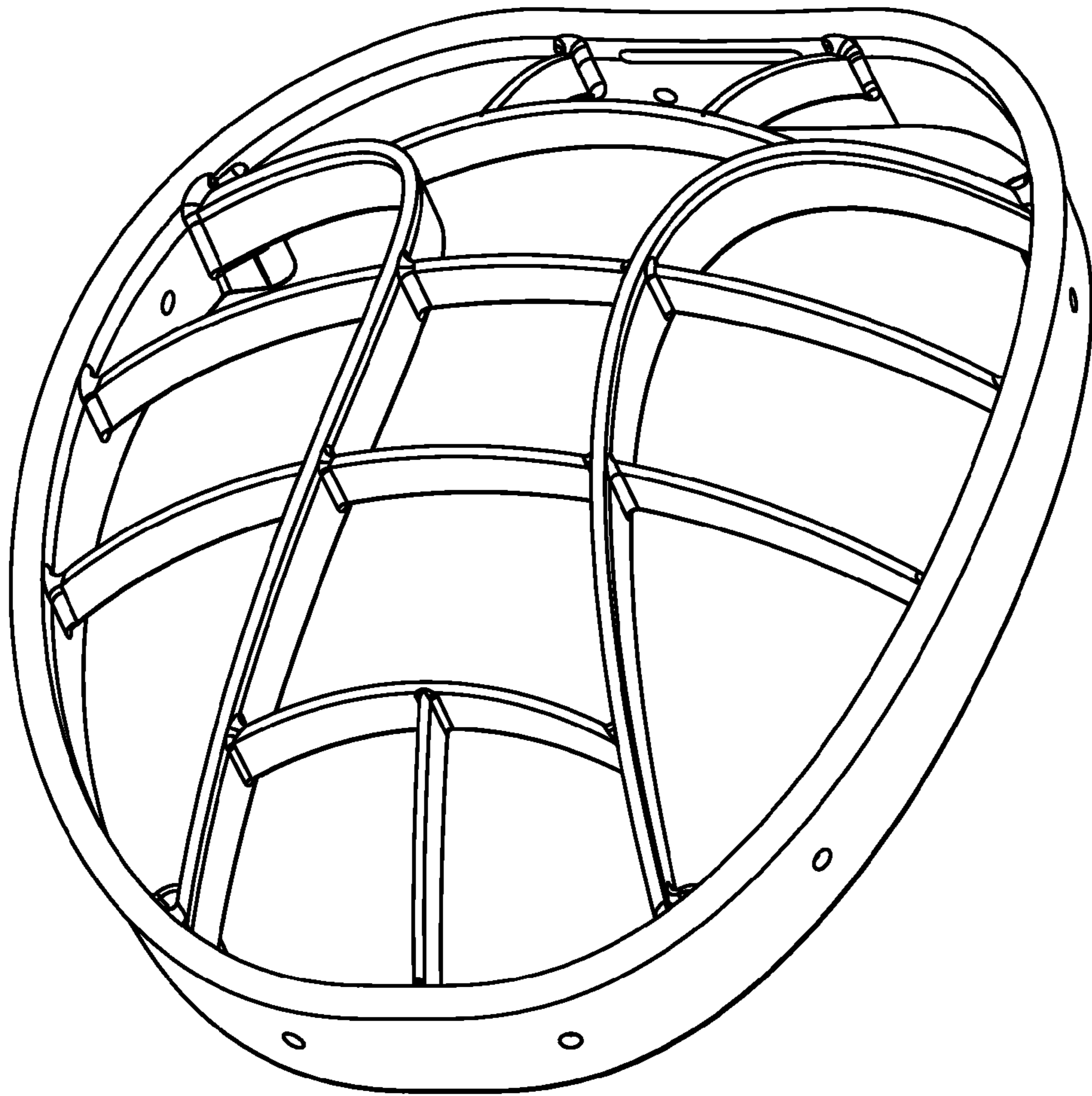
D422,791 S	4/2000	Han	
D429,416 S	8/2000	Heidenreich et al.	
6,148,998 A	11/2000	Tan	
D434,905 S	12/2000	Ryan	
6,199,690 B1	3/2001	Shin	
D454,249 S	3/2002	Schmidt	
6,450,334 B1	9/2002	Chang	
6,494,416 B2	12/2002	Wang	
6,513,653 B1	2/2003	Chen	
6,564,936 B1	5/2003	Campbell	
6,568,527 B1	5/2003	Te-Pin	
D478,422 S	8/2003	Chen	
D487,543 S	3/2004	Chang	
D493,620 S	8/2004	Reimers	
D494,761 S	8/2004	Gray	
6,817,469 B2	11/2004	Chang	
D501,604 S	2/2005	Kadoya	
6,877,604 B2	4/2005	Pratt et al.	
D512,838 S	12/2005	Schmidt et al.	
D513,125 S	12/2005	Anderson	
D513,876 S	1/2006	Solheim et al.	
D513,877 S *	1/2006	Solheim et al.	..... D3/320
D513,878 S	1/2006	Anderson et al.	
D515,316 S	2/2006	Chang	
D517,808 S *	3/2006	Reimers et al.	..... D3/320
7,014,040 B2	3/2006	Anderson et al.	
D520,751 S	5/2006	Chang	
D520,752 S	5/2006	Solheim et al.	
D522,754 S	6/2006	Anderson	
D523,639 S	6/2006	Vosloo et al.	
D523,640 S	6/2006	Vosloo et al.	
D525,034 S	7/2006	Vosloo	
D526,124 S *	8/2006	Vosloo	..... D3/320
D528,799 S *	9/2006	Vosloo	..... D3/320
D530,922 S	10/2006	Anderson	
7,124,887 B2	10/2006	Reimers	
D534,355 S	1/2007	Renahan	
D537,252 S	2/2007	Vosloo et al.	
D537,634 S	3/2007	Renahan	
D537,635 S *	3/2007	Vosloo et al.	..... D3/320
D538,042 S	3/2007	Suggs	
7,213,705 B2 *	5/2007	Pratt et al.	..... 206/315.6
7,216,762 B2	5/2007	Chen	
D544,210 S	6/2007	McGuire et al.	
D546,064 S	7/2007	Vosloo et al.	
D546,561 S	7/2007	Vosloo et al.	
D557,501 S	12/2007	Suggs et al.	
D557,502 S	12/2007	Quartarone et al.	
D566,398 S	4/2008	Hooley	
D566,965 S	4/2008	Hooley	
D566,966 S	4/2008	Hooley	
7,357,251 B2	4/2008	Vosloo et al.	
D577,916 S	10/2008	Quartarone et al.	
D580,656 S *	11/2008	Quartarone et al.	..... D3/320
2001/0025802 A1	10/2001	Sutter et al.	
2002/0179466 A1	12/2002	Maeng	
2002/0189962 A1	12/2002	Chen	
2004/0079658 A1	4/2004	Larson et al.	
2004/0211688 A1	10/2004	Doss	
2005/0092630 A1	5/2005	Chen	
2008/0164165 A1	7/2008	McGuire et al.	

## OTHER PUBLICATIONS

Brian J. McGuire et al., "Golf Bag Top," U.S. Appl. No. 29/337,462, filed May 21, 2009.

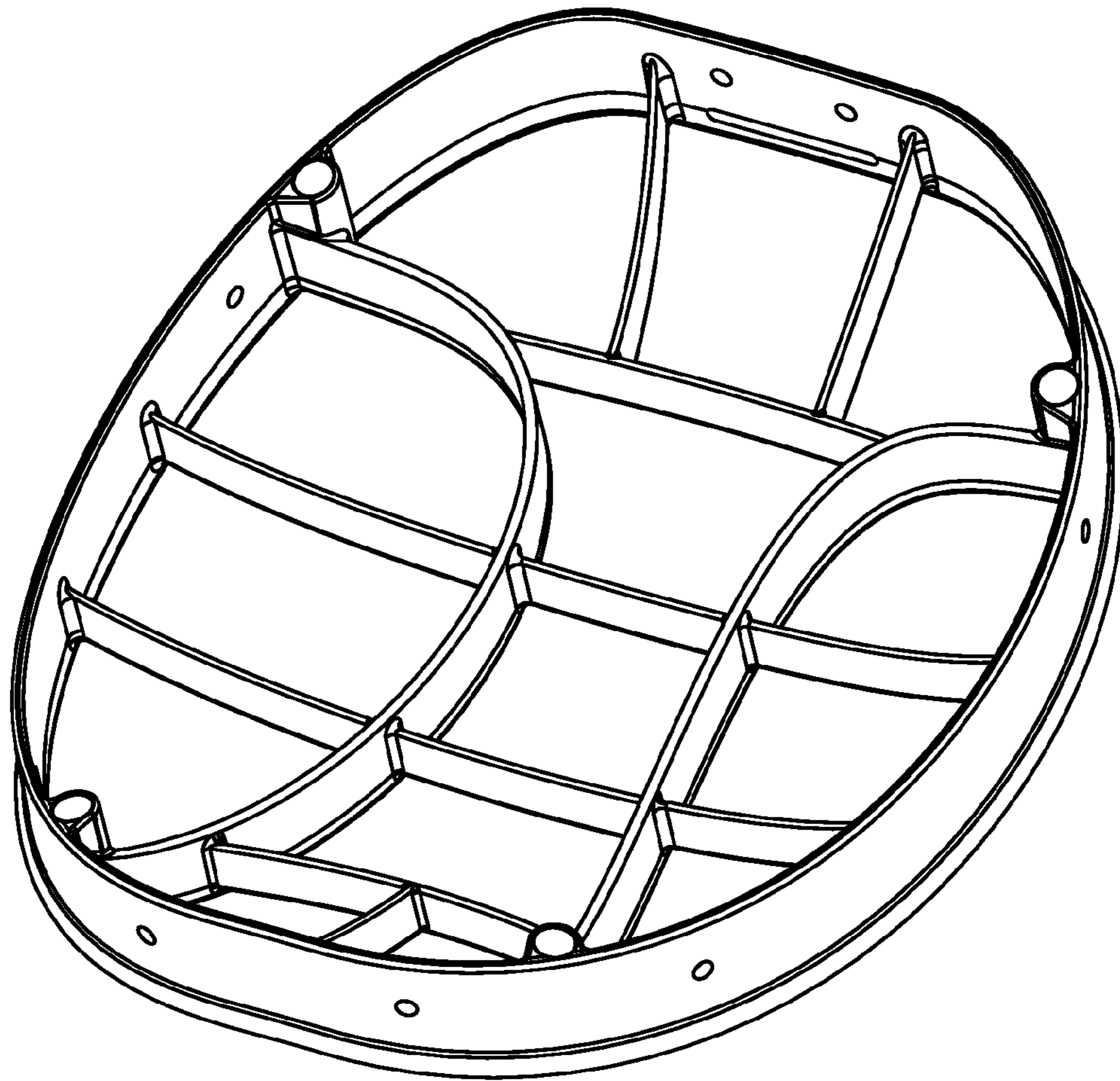
Brian J. McGuire et al., "Golf Bag Top," U.S. Appl. No. 29/337,463, filed May 21, 2009.

\* cited by examiner

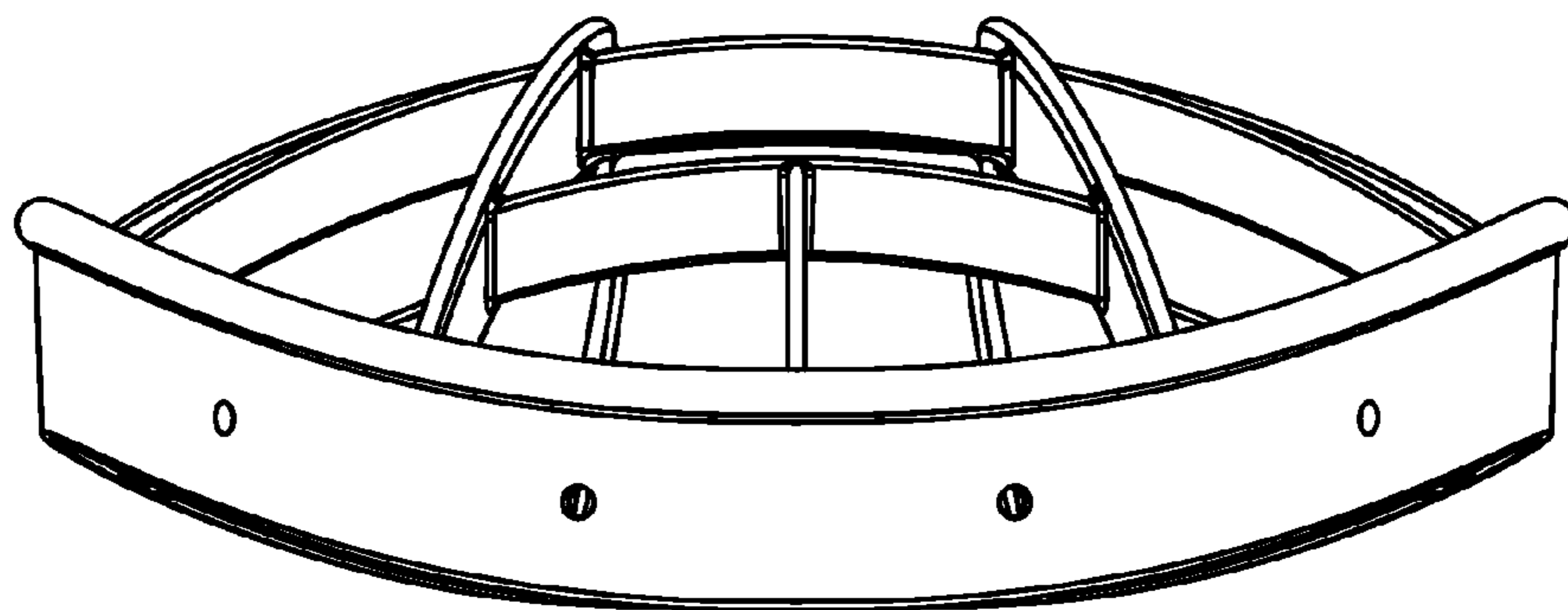


*FIG. 1*

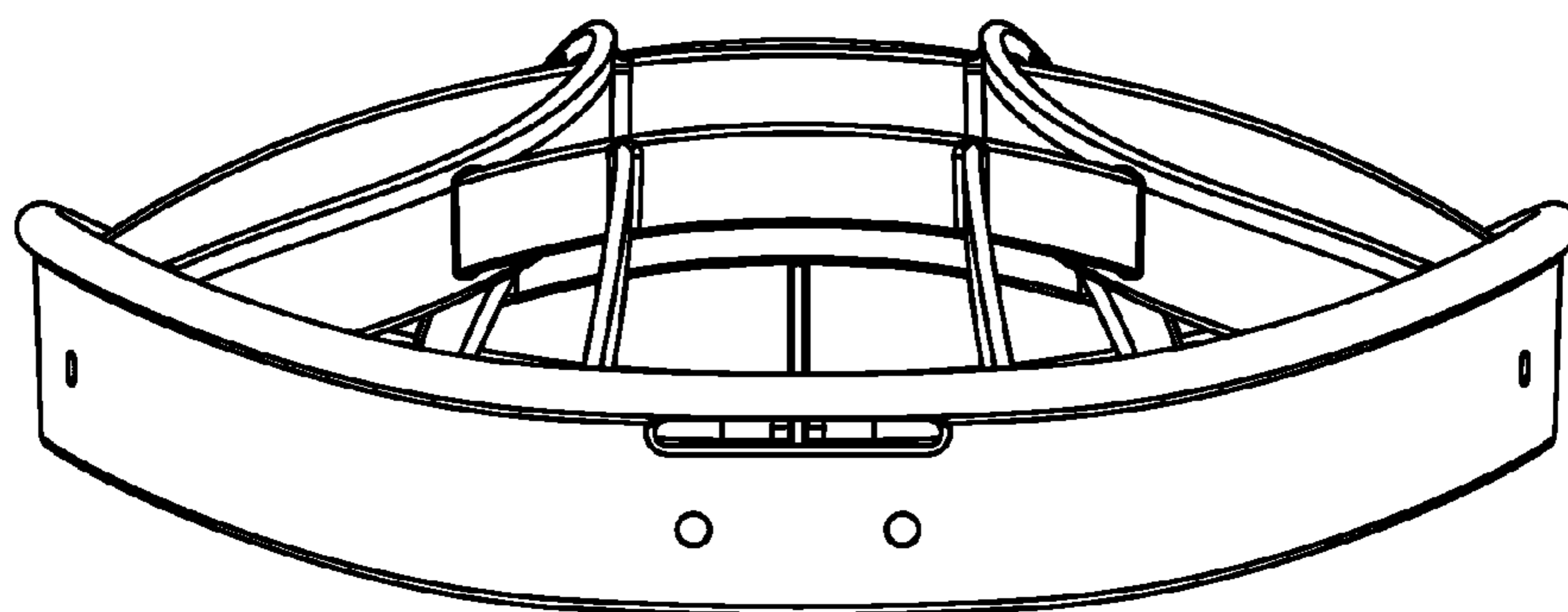




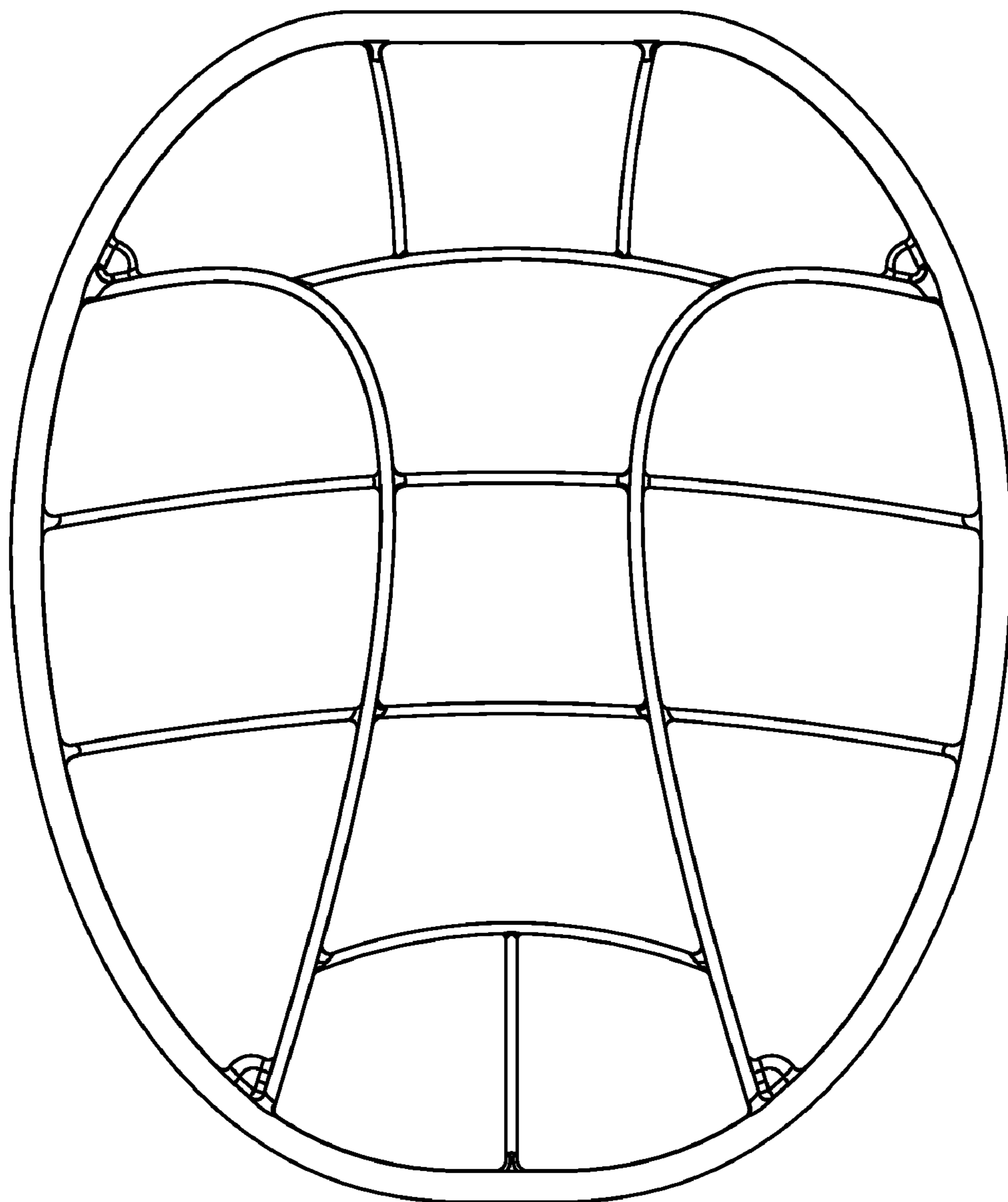
*FIG. 2*



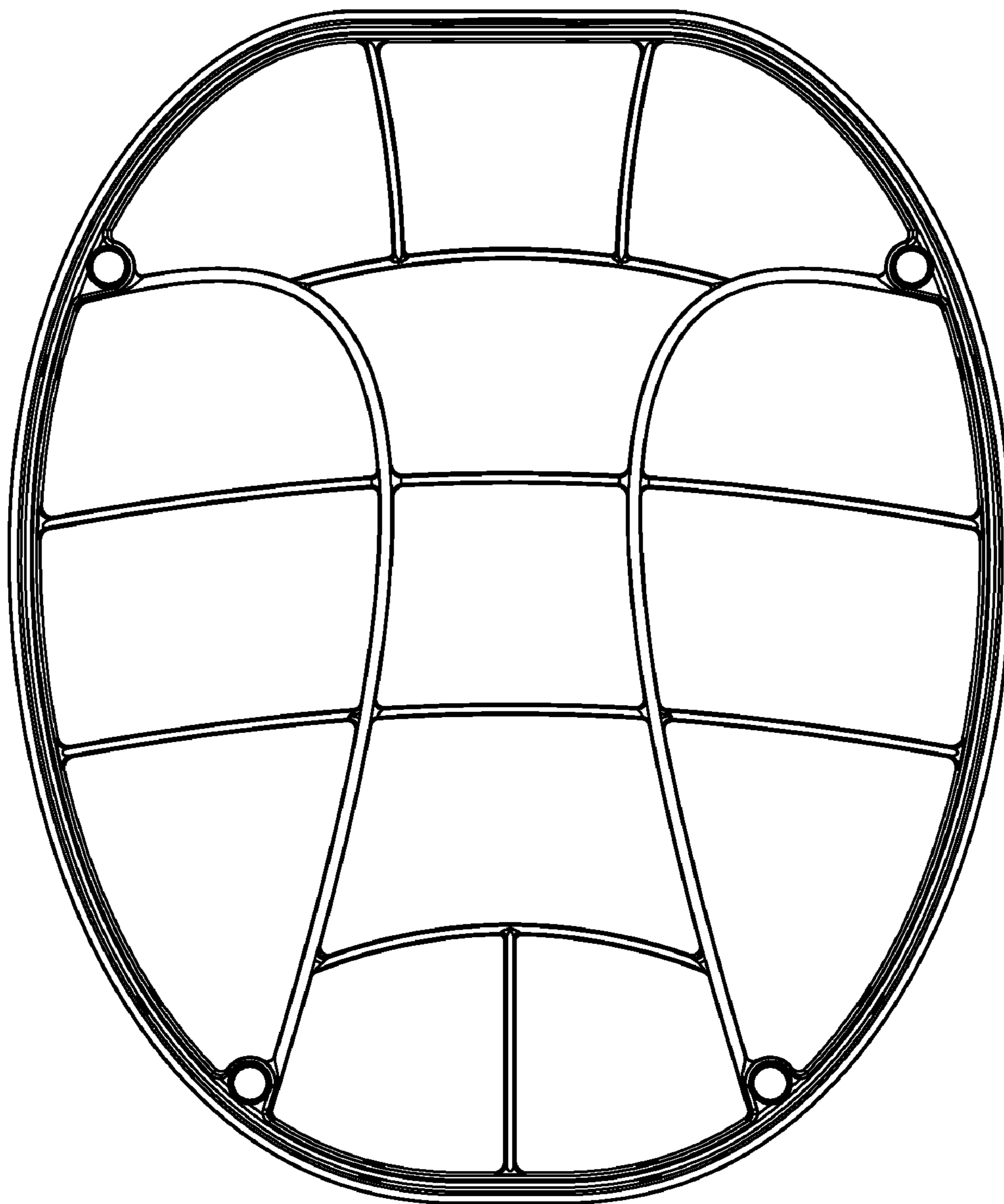
*FIG. 3*



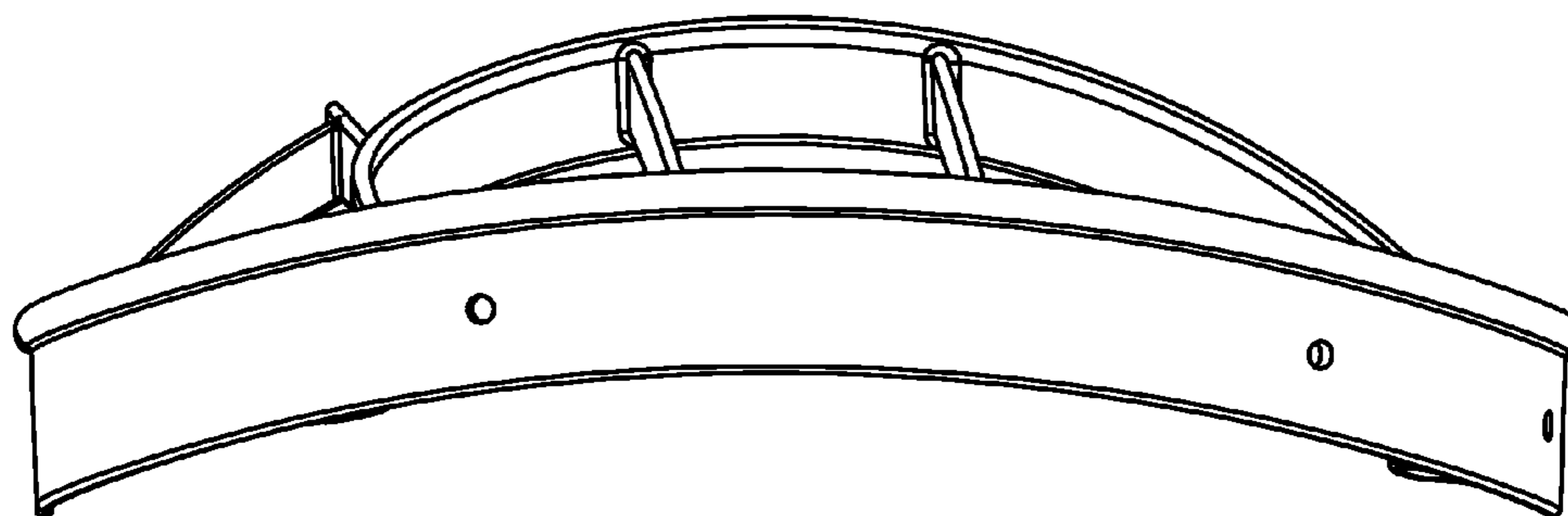
*FIG. 4*



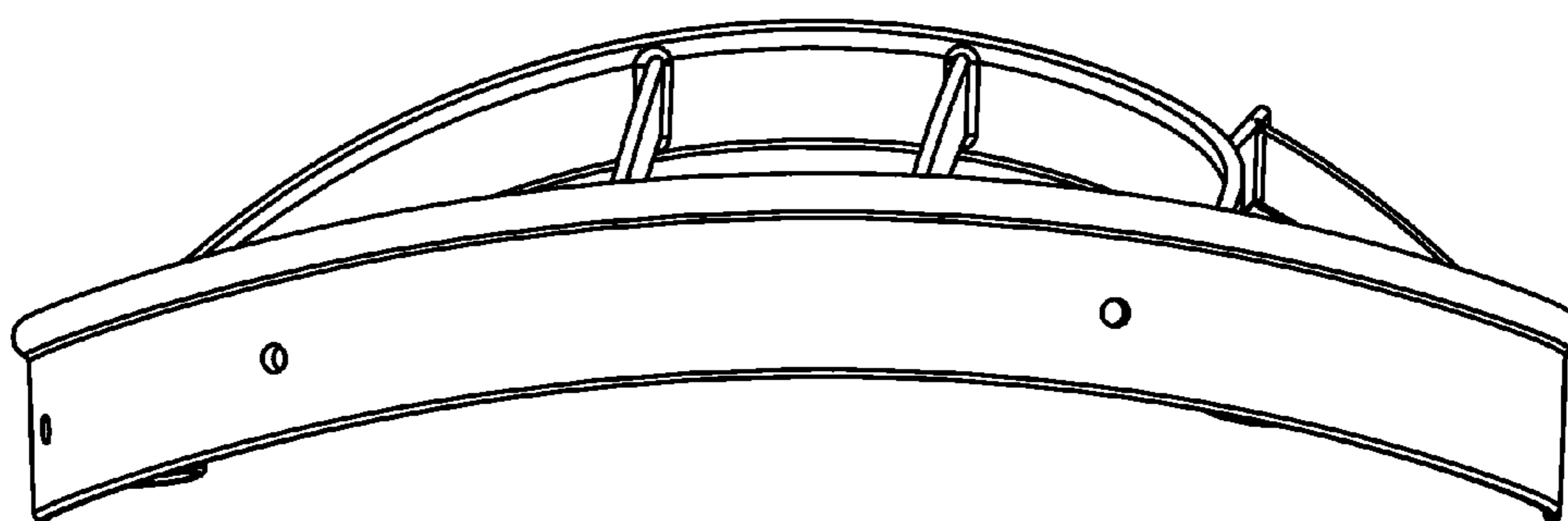
*FIG. 5*



*FIG. 6*



*FIG. 7*



*FIG. 8*