



US00D613062S

(12) **United States Design Patent**
Romero et al.

(10) **Patent No.:** **US D613,062 S**
(45) **Date of Patent:** **** Apr. 6, 2010**

(54) **INTERCHANGEABLE HANDBAG COVER**

(75) Inventors: **Michelle Romero**, West Valley City, UT (US); **Annette B. Cavaness**, Provo, UT (US); **Christian J. Seegmiller**, Riverton, UT (US)

(73) Assignee: **Miche Bag, LLC**, South Jordan, UT (US)

(**) Term: **14 Years**

(21) Appl. No.: **29/350,547**

(22) Filed: **Nov. 18, 2009**

Related U.S. Application Data

(62) Division of application No. 29/320,888, filed on Jul. 7, 2008, now Pat. No. Des. 610,801.

(51) **LOC (9) Cl.** **03-01**

(52) **U.S. Cl.** **D3/318**

(58) **Field of Classification Search** D3/232–233, D3/240–246, 318, 324; 150/100, 103–110, 150/113–114, 118–119; D19/27

See application file for complete search history.

(56) **References Cited**

U.S. PATENT DOCUMENTS

1,960,396 A 5/1934 Rosenberg

(Continued)

FOREIGN PATENT DOCUMENTS

GB 2350285 A 11/2000

(Continued)

OTHER PUBLICATIONS

“The Smart Handbag”, The Bernina Connection, LLC Online Catalog with secure transactions, http://berninaconnection.com/cgi-bin/Store/store.cgi?product=patterns_main&productid=0 (accessed Mar. 21, 2007).

(Continued)

Primary Examiner—Holly H Baynham

(74) *Attorney, Agent, or Firm*—Workman Nydegger

(57) **CLAIM**

The ornamental design for an interchangeable handbag cover, as shown and described.

DESCRIPTION

FIG. 1 is a top perspective view of an interchangeable handbag cover in a partially attached conformation about an exemplary base handbag shown in phantom;

FIG. 2 is a top perspective view thereof with the handbag cover shown in a closed or attached position about the base handbag shown in phantom;

FIG. 3 is an isolated, perspective view of the handbag cover in the closed position;

FIG. 4 is an elevated front view thereof, with the opposing back view being a minor image thereof;

FIG. 5 is a top, plan view thereof;

FIG. 6 is an elevated, left side view thereof, with the opposing right side being a minor image thereof;

FIG. 7 is bottom view thereof;

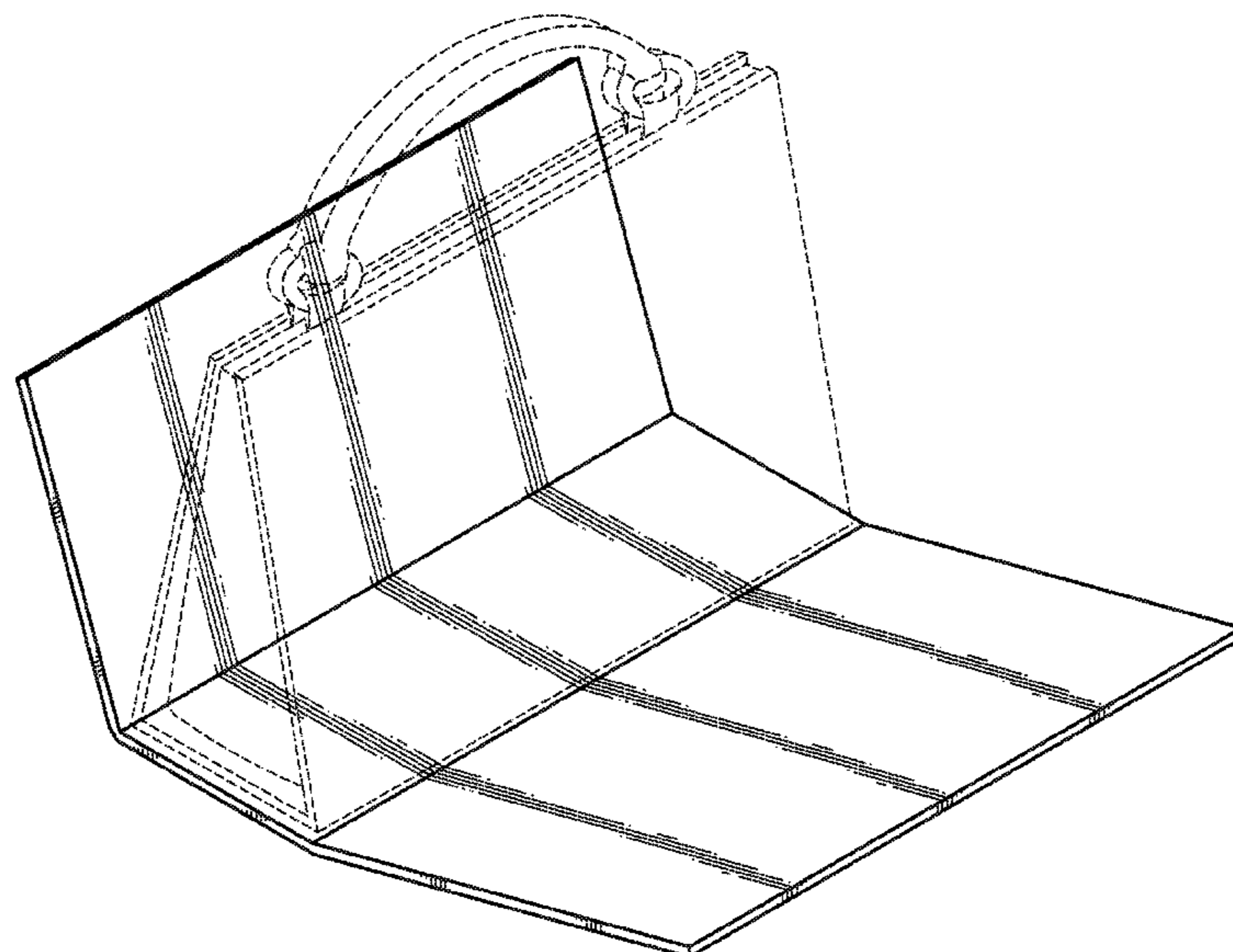
FIG. 8 is a top, plan view of the handbag cover in an open, extended position;

FIG. 9 is an elevated side view thereof, with the opposing side being a minor image thereof; and,

FIG. 10 is an elevated front view thereof, with the opposing back view being a minor image thereof.

The dotted lines illustrate environmental features of an exemplary base handbag to which the handbag cover attaches, and form no part of the claimed design.

1 Claim, 4 Drawing Sheets



US D613,062 S

Page 2

U.S. PATENT DOCUMENTS

1,978,971	A	10/1934	Thornhill et al.	
2,023,144	A	5/1935	Miller	
2,118,400	A	5/1938	Goldberg	
D129,151	S *	8/1941	Lewis	D3/240
D131,188	S *	1/1942	Lewis	D3/240
2,369,482	A	2/1945	Morris	
2,437,382	A	9/1948	Czap	
2,477,388	A	7/1949	Moore	
D155,608	S *	10/1949	Hilf	D3/240
2,656,870	A	10/1953	Wishnia	
2,779,373	A	1/1957	Koepke	
2,809,685	A	10/1957	Lowy	
2,893,457	A	7/1959	Wilson	
3,182,701	A	5/1965	Ginsburg	
3,556,187	A	1/1971	Speakes	
3,575,226	A	4/1971	Chapman	
4,088,167	A	5/1978	Schwartz	
4,112,991	A	9/1978	Barbaresi	
D252,596	S *	8/1979	Adler et al.	D3/319
4,260,004	A	4/1981	Domke	
4,263,951	A *	4/1981	Siegel	150/111
4,754,790	A	7/1988	Meyers	
4,907,633	A	3/1990	Eckstein	
5,178,198	A	1/1993	Fitzgerald	
5,207,254	A	5/1993	Fromm	
D346,694	S *	5/1994	Cyr et al.	D3/287
D354,399	S *	1/1995	Georges	D3/319
5,533,558	A	7/1996	Carey	
5,725,039	A	3/1998	Macinai	
5,894,975	A	4/1999	Holden et al.	
5,983,969	A	11/1999	Morgan	
6,003,573	A	12/1999	Owens	
6,029,723	A	2/2000	Baquero	
6,129,126	A	10/2000	Restivo	
6,173,837	B1	1/2001	Marconi	
6,179,025	B1	1/2001	Sutton	
6,186,201	B1	2/2001	Salz	
6,237,660	B1	5/2001	Giardino	
D444,943	S *	7/2001	Nastasi	D3/246
6,394,157	B2	5/2002	Luna	
6,422,278	B1	7/2002	Grogan	
6,446,688	B1	9/2002	Sutton	
6,543,499	B2	4/2003	McCreery	
D476,809	S *	7/2003	Ko	D3/276
D495,877	S *	9/2004	Thorsen	D3/246
6,807,992	B2	10/2004	Powers	

D497,716	S *	11/2004	de Baschmakoff	D3/241
6,820,664	B1	11/2004	Ritch	
6,968,880	B2	11/2005	Battaglia et al.	
6,971,424	B1	12/2005	Angevine	
7,028,730	B2	4/2006	Pace et al.	
7,222,649	B1	5/2007	Fox	
7,461,676	B2	12/2008	Huie	
2001/0015248	A1	8/2001	McCreery	
2002/0029831	A1	3/2002	Pendergrass	
2002/0066505	A1	6/2002	Grogan	
2003/0000612	A1	1/2003	Sutton	
2003/0177664	A1	9/2003	Monassebain	
2004/0050468	A1	3/2004	Powers	
2004/0187988	A1	9/2004	Andrews	
2005/0028908	A1	2/2005	Schaus et al.	
2005/0173034	A1	8/2005	Antrobus	
2005/0274441	A1	12/2005	Pace et al.	
2006/0021684	A1	2/2006	DeCoro, III	
2006/0174984	A1	8/2006	Burns	
2006/0266452	A1	11/2006	Huie	
2006/0278311	A1	12/2006	Mittelstaedt	
2007/0209742	A1	9/2007	Morgan	
2008/0006355	A1	1/2008	Gomez	
2008/0185082	A1	8/2008	Mejia et al.	
2008/0230158	A1	9/2008	Romero et al.	
2009/0065110	A1	3/2009	Cassella	
2009/0188592	A1	7/2009	Connacher et al.	

FOREIGN PATENT DOCUMENTS

JP	2002051816	2/2002
KR	20-030050218	5/2004
WO	WO01/91596	12/2001
WO	WO2005008552	A1 1/2005
WO	WO2006002005	A2 1/2006
WO	WO2006122197	11/2006

OTHER PUBLICATIONS

“Rock Album Cover Tote Bag with interchangeable panel”, Eco-Artware, <http://www.eco-artware.com/catalog/MMM1-album-tote.shtml> (accessed Mar. 21, 2007).

International Search Report, PCT/US2007/085339, Mailed Mar. 14, 2008.

International Search Opinion, PCT/US2007/085339, Mailed Oct. 1, 2009.

Office Action Mailed Jul. 17, 2009, U.S. Appl. No. 11/945,174.

* cited by examiner

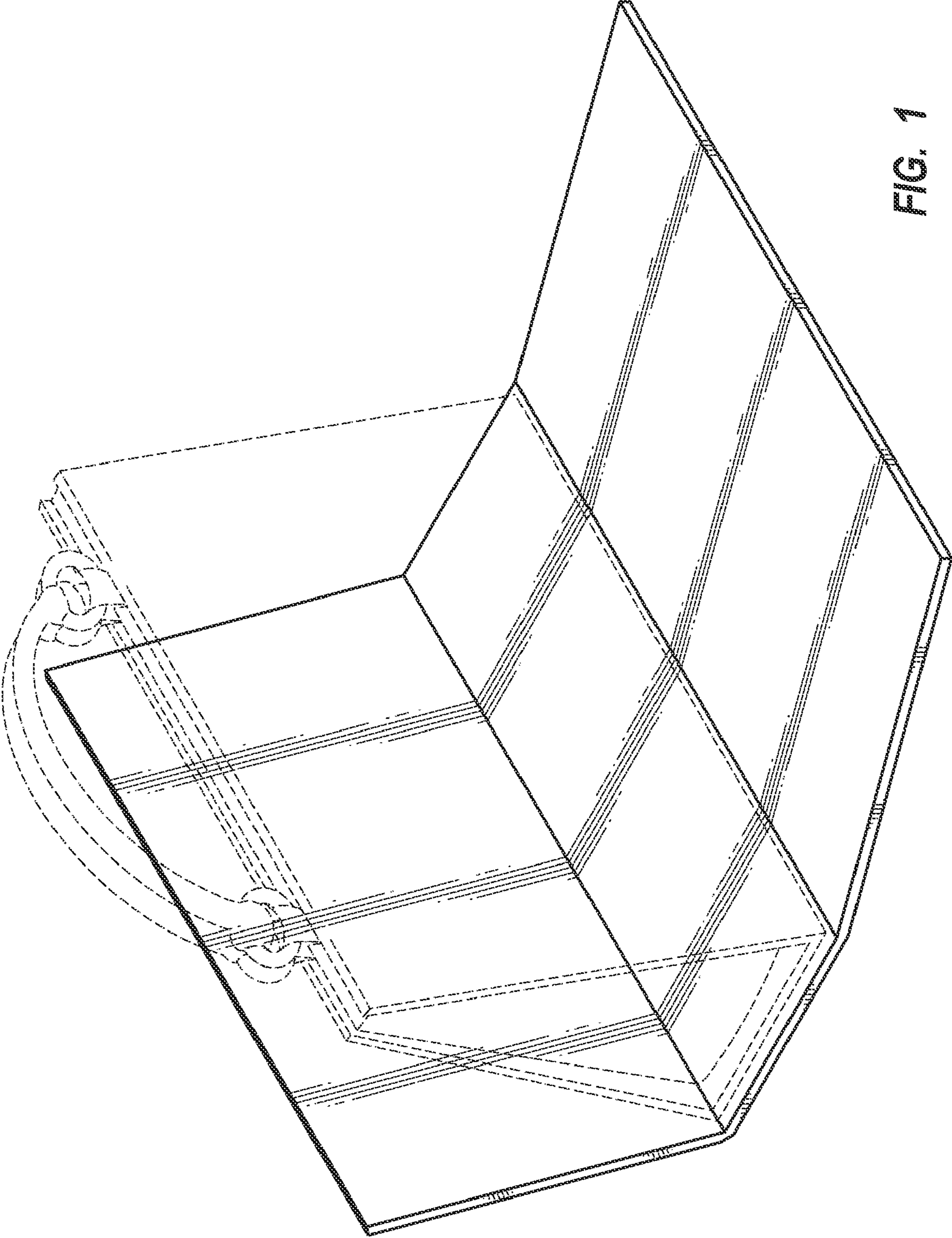


FIG. 1

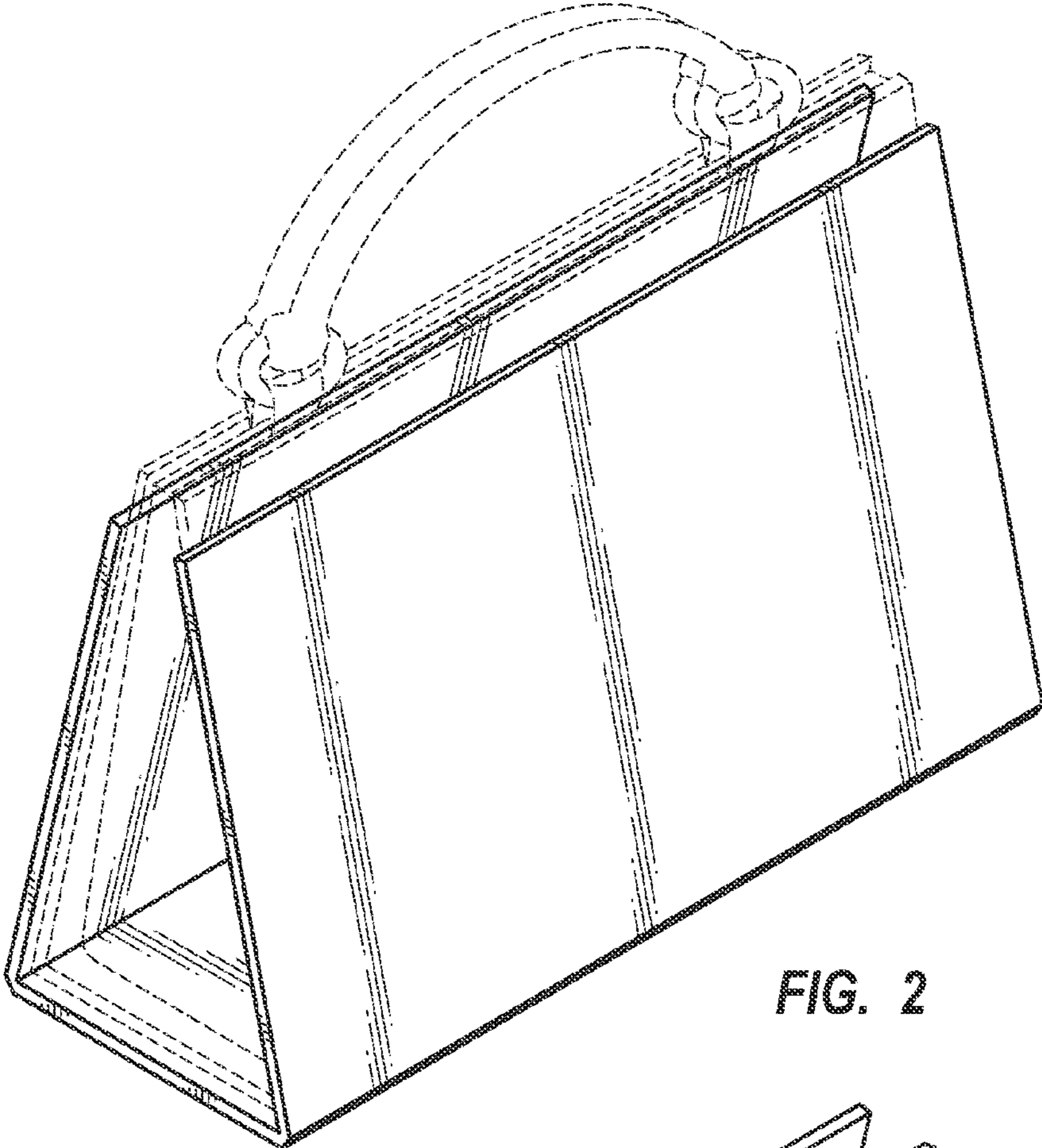


FIG. 2

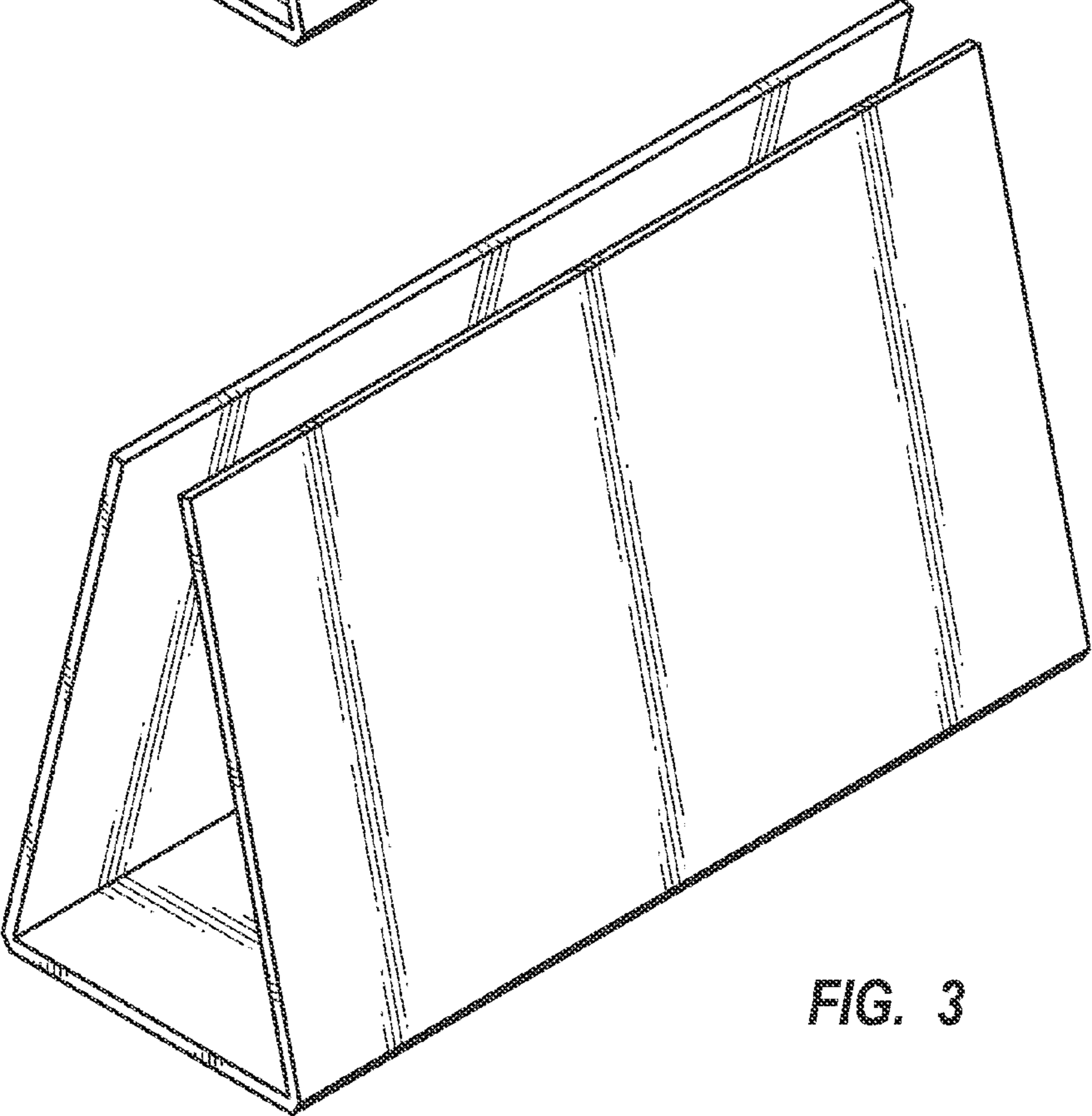


FIG. 3

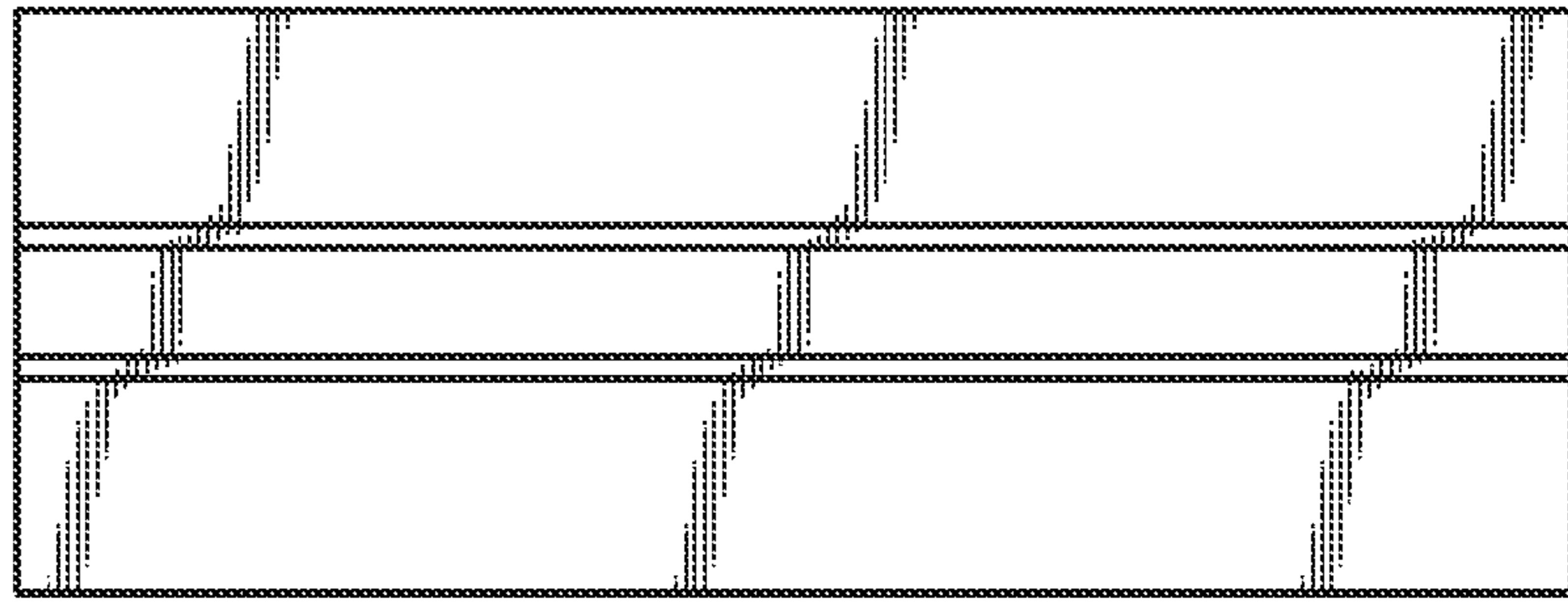


FIG. 5



FIG. 6

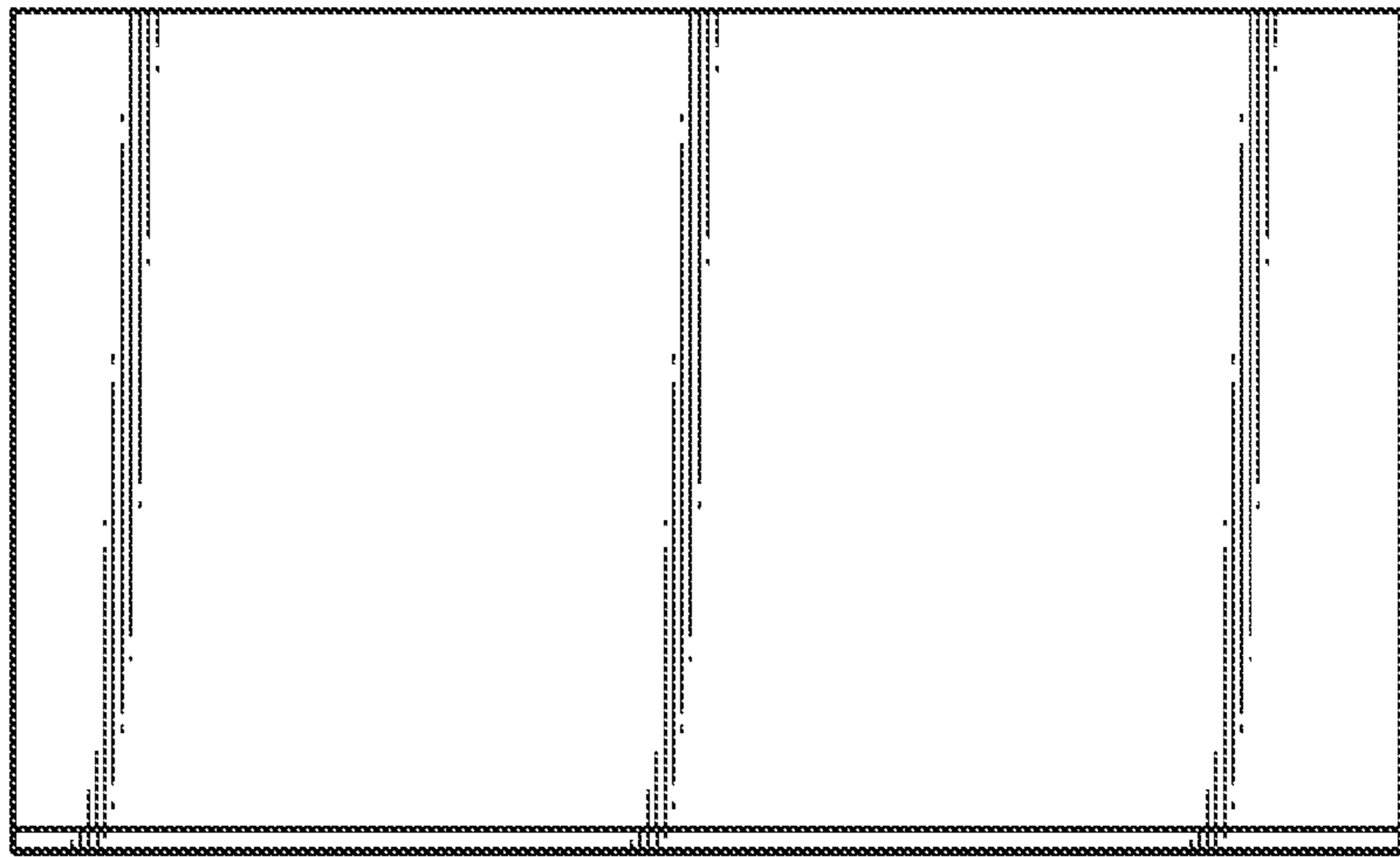


FIG. 4

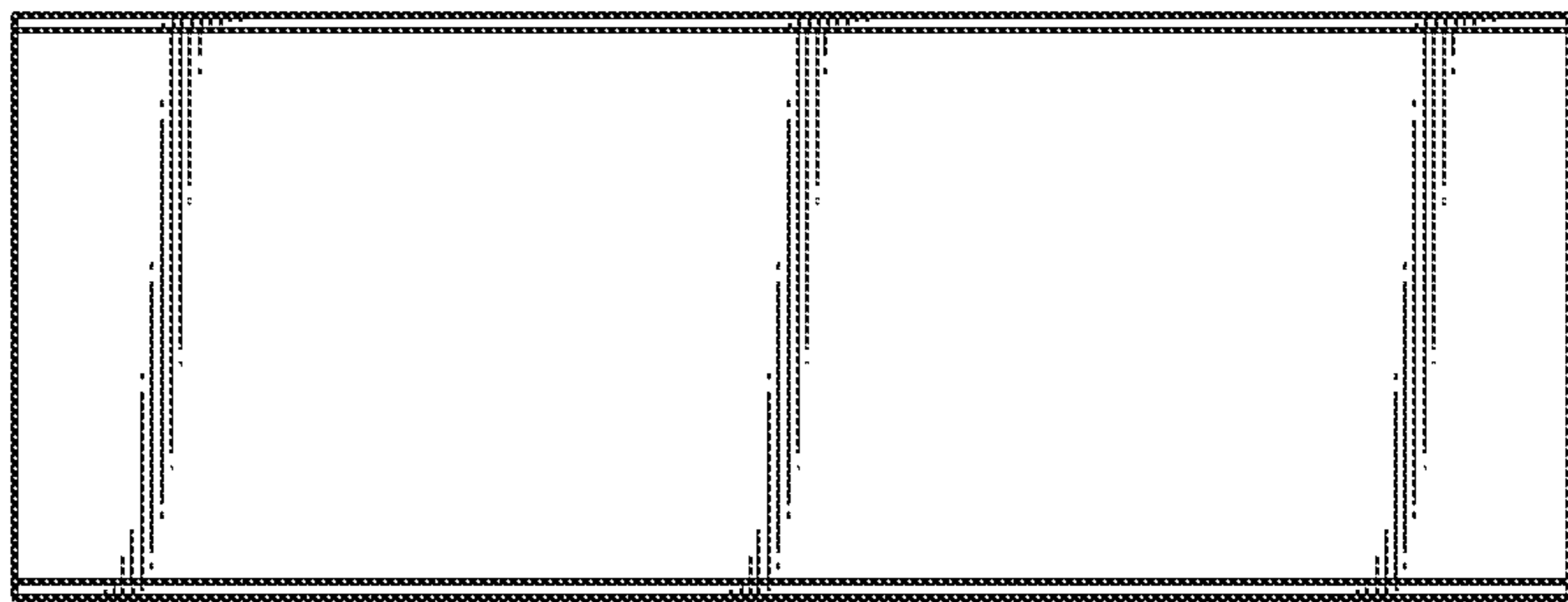


FIG. 7



FIG. 10

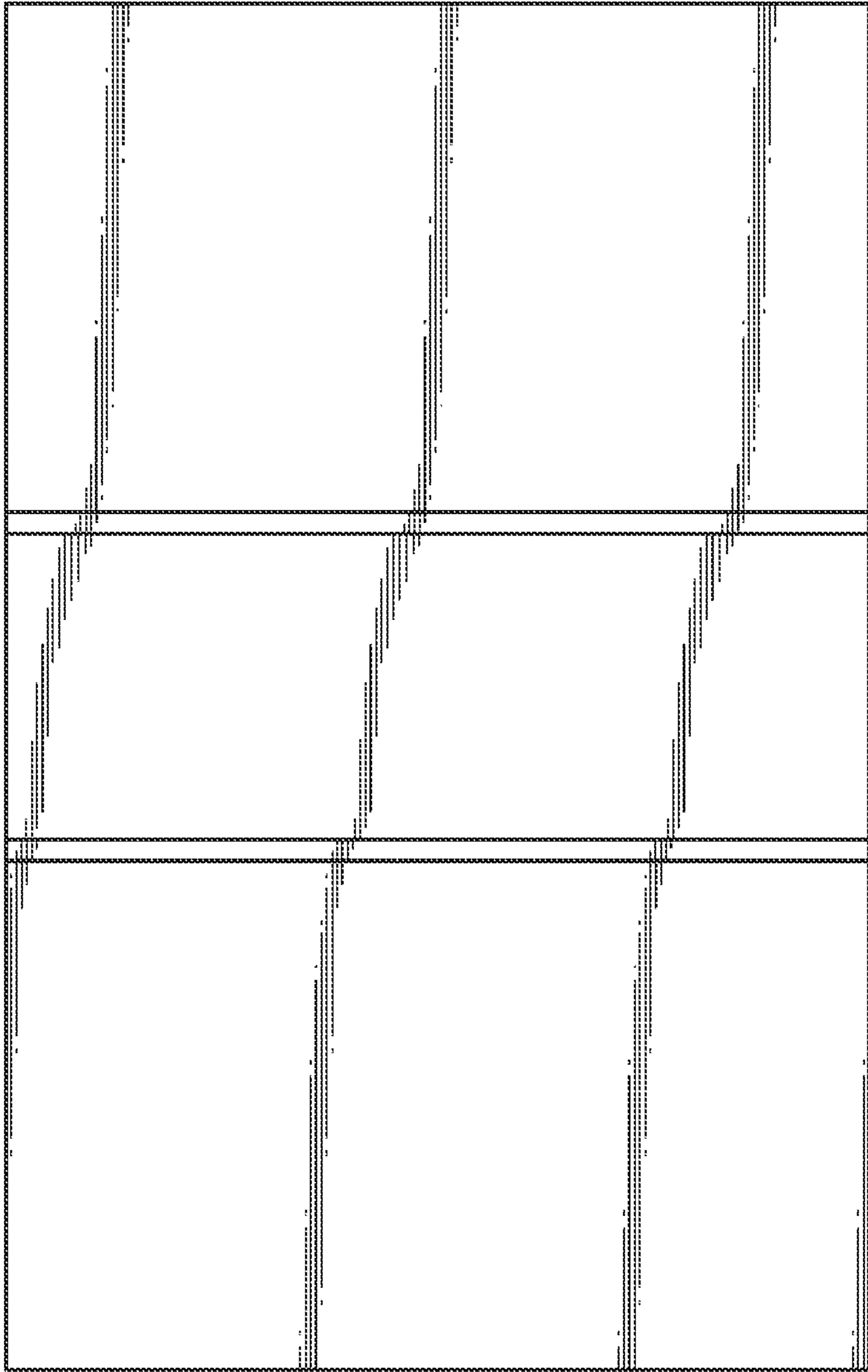


FIG. 8



FIG. 9