



US00D613060S

(12) **United States Design Patent**  
**Sao**

(10) **Patent No.:** **US D613,060 S**  
(45) **Date of Patent:** **\*\* Apr. 6, 2010**

(54) **FOLDING PORTFOLIO**

(75) Inventor: **Bjorn G. Sao**, Fairfield, CT (US)

(73) Assignee: **Expand International AB**, Stockholm (SE)

(\*\*) Term: **14 Years**

(21) Appl. No.: **29/314,345**

(22) Filed: **Mar. 23, 2009**

(51) **LOC (9) Cl.** ..... **03-01**

(52) **U.S. Cl.** ..... **D3/288; D3/294; D3/900**

(58) **Field of Classification Search** ..... D3/206,  
D3/273–274, 276, 281–282, 284, 286, 288,  
D3/294–296, 900; D14/315; D19/35–36;  
206/1.7, 214, 320, 576; 220/826

See application file for complete search history.

(56) **References Cited**

U.S. PATENT DOCUMENTS

1,754,663	A *	4/1930	Adams	190/115
2,867,045	A	1/1959	Millgate	35/60
D237,021	S *	9/1975	Chilewich	D3/292
3,913,711	A *	10/1975	Schmid	190/16
3,938,772	A	2/1976	Andrusiak	248/461
D250,973	S *	1/1979	Ramsey	D3/274
D270,305	S *	8/1983	Errigo	D3/274
D270,358	S *	8/1983	Errigo	D20/10
4,657,149	A	4/1987	Masson	211/194
4,702,534	A *	10/1987	Witt et al.	312/114
D296,497	S *	7/1988	Kime	D3/282
D306,234	S *	2/1990	Ferstl	D19/75
4,919,259	A	4/1990	Beaulieu	206/45.2
5,020,673	A *	6/1991	Adams	206/581
D326,279	S *	5/1992	Logan	D19/36
D332,466	S *	1/1993	Logan	D19/36
D341,625	S *	11/1993	Ros	D19/86
5,388,689	A *	2/1995	Kroop et al.	206/214
D356,334	S *	3/1995	Kroop et al.	D19/36
D431,188	S *	9/2000	Monn	D9/422
6,155,325	A	12/2000	Schirer	160/135
6,189,594	B1	2/2001	Carter	160/135
D466,297	S *	12/2002	Raisner et al.	D3/299

6,772,816	B2	8/2004	Carter et al.	160/135
6,779,286	B2	8/2004	Shaffer et al.	40/606.16
6,945,398	B2	9/2005	Shumake et al.	206/371
D517,540	S *	3/2006	Minns et al.	D14/315

(Continued)

*Primary Examiner*—Philip S Hyder  
*Assistant Examiner*—Roselynn Cody  
(74) *Attorney, Agent, or Firm*—Ohlandt, Greeley, Ruggiero & Perle, LLP

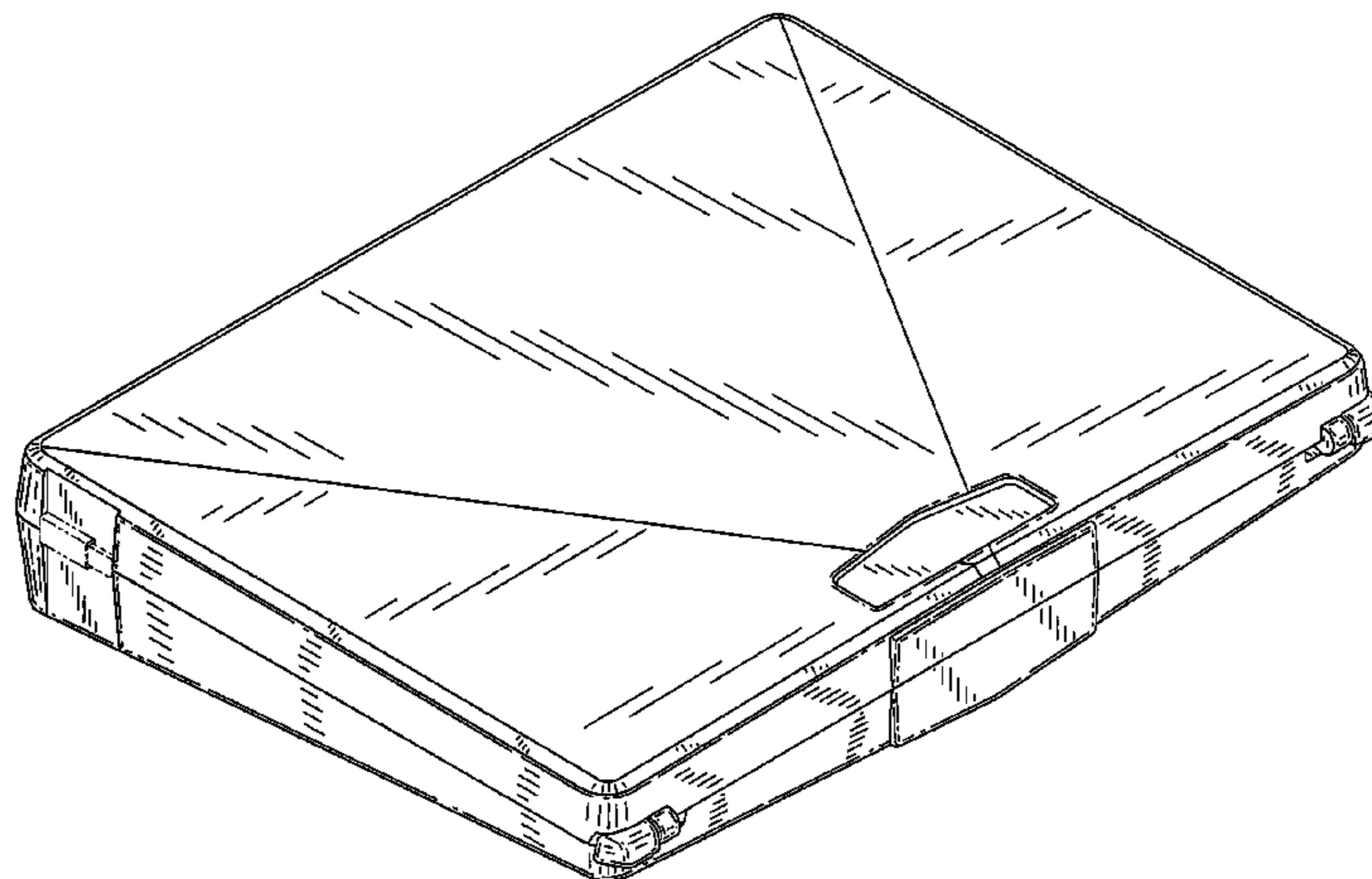
(57) **CLAIM**

The ornamental design for a folding portfolio, as shown and described.

**DESCRIPTION**

FIG. 1 is a perspective view of the folding portfolio according to the present invention;  
FIG. 2 is a top plan view of the folding portfolio of FIG. 1;  
FIG. 3 is a bottom plan view of the folding portfolio of FIG. 1;  
FIG. 4 is a front side elevation view, of the folding portfolio of FIG. 1;  
FIG. 5 is a back side elevation view of the folding portfolio of FIG. 1;  
FIG. 6 is a left side elevation view of the folding portfolio of FIG. 1;  
FIG. 7 is a right side elevation view of the folding portfolio of FIG. 1; and,  
FIG. 8 is a perspective view of the folding portfolio of FIG. 1. shown in an opened configuration.  
The broken lines in the drawings illustrate aspects of the design that form no part of the claimed design.

**1 Claim, 6 Drawing Sheets**

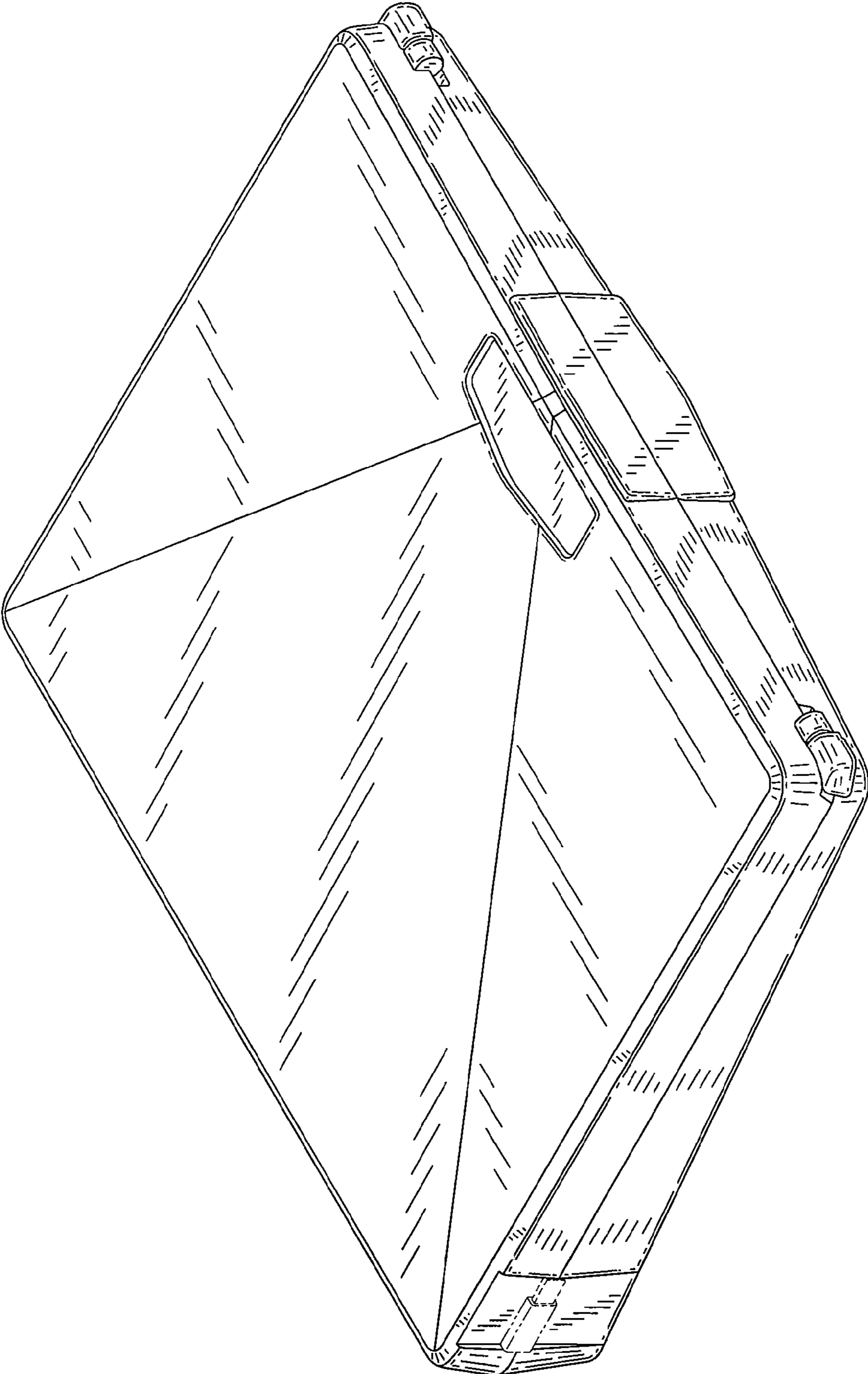


# US D613,060 S

Page 2

---

U.S. PATENT DOCUMENTS							
				D600,687 S *	9/2009	Smith et al. ....	D14/315
7,040,899 B2	5/2006	Armstrong .....	434/430	2004/0148833 A1	8/2004	Virvo .....	40/610
D523,244 S *	6/2006	Peterson .....	D3/295	2005/0086842 A1	4/2005	Ternovits et al. ....	40/539
7,293,380 B2	11/2007	Repecki .....	40/124.12	* cited by examiner			



**FIG. 1**

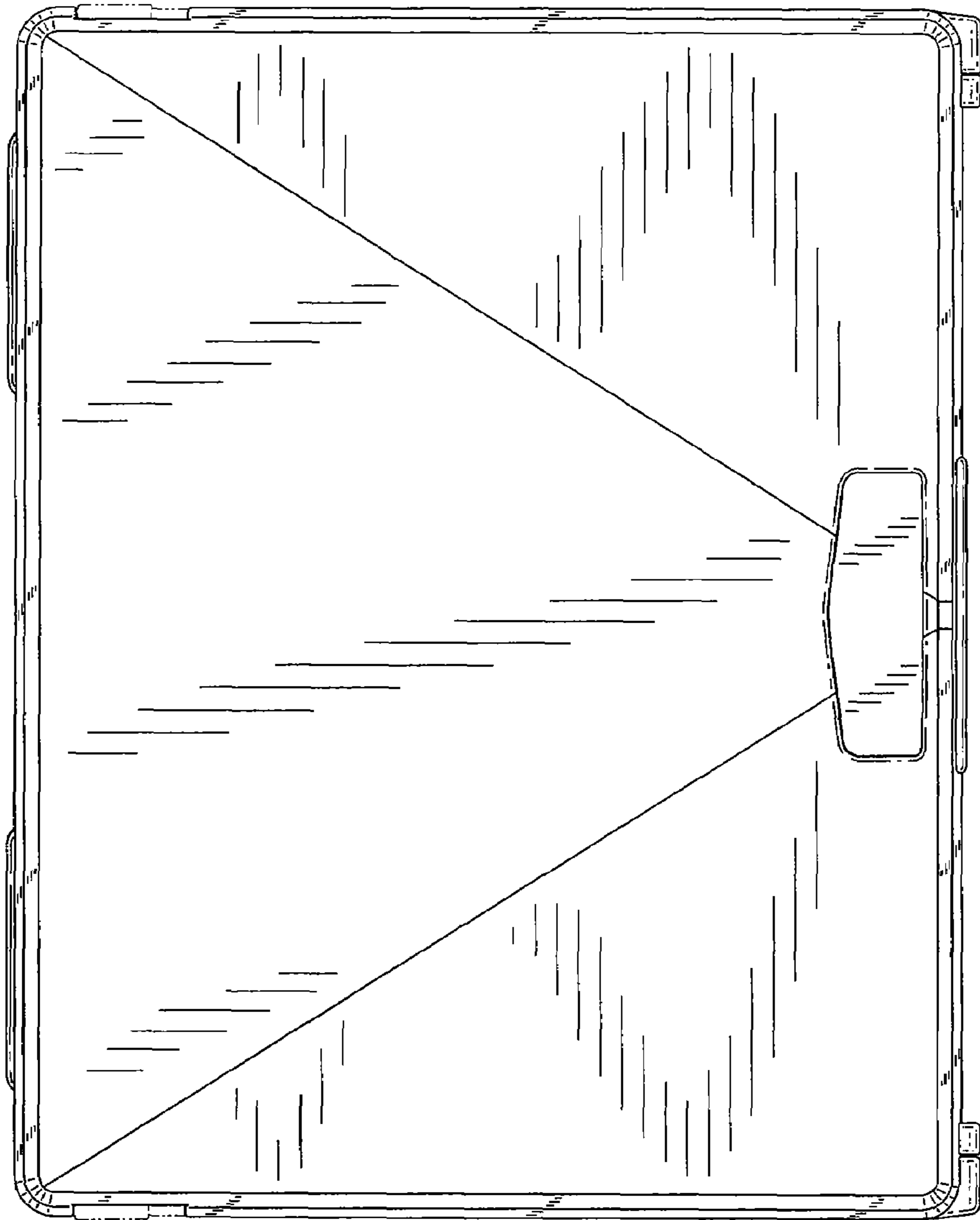


FIG. 2

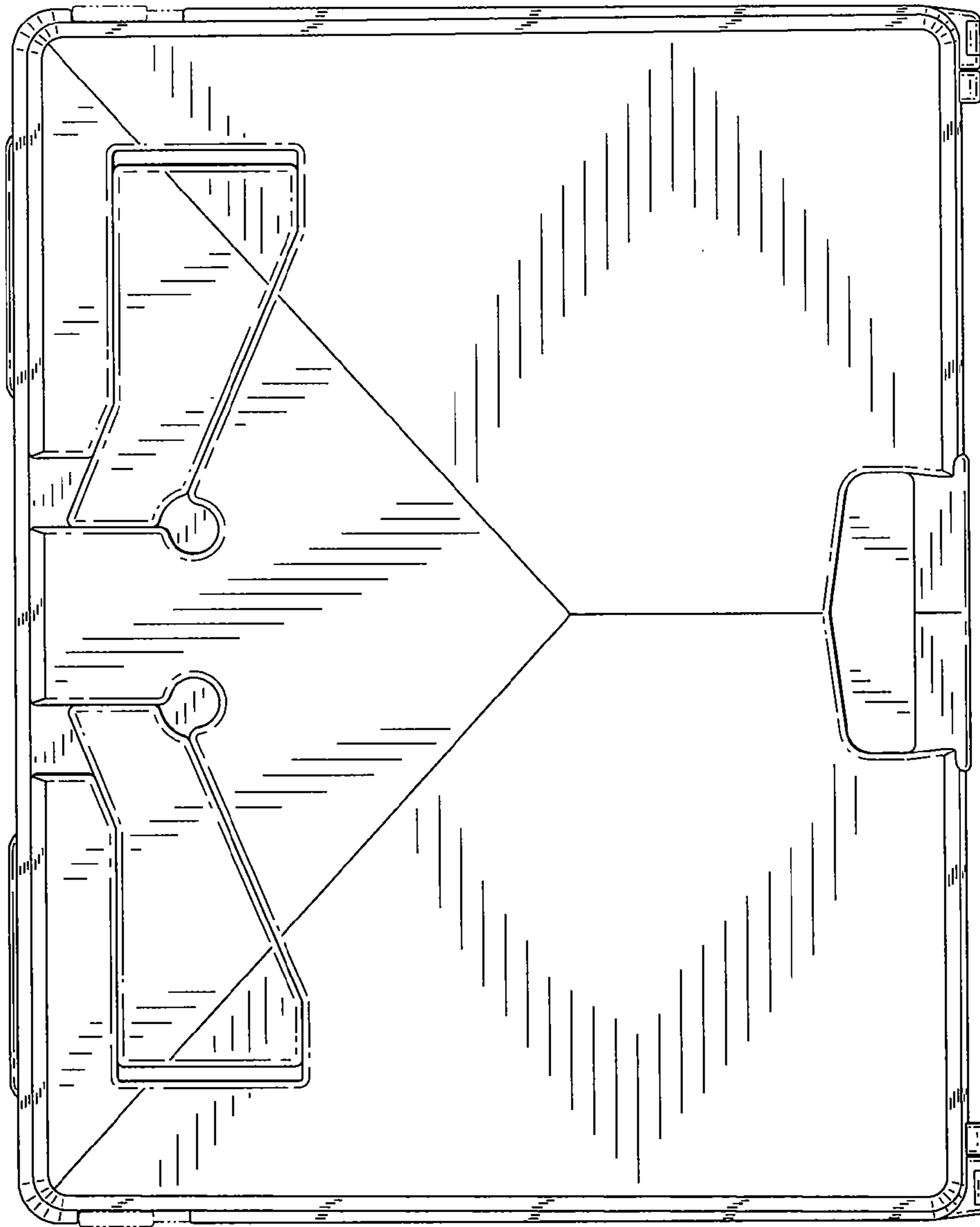
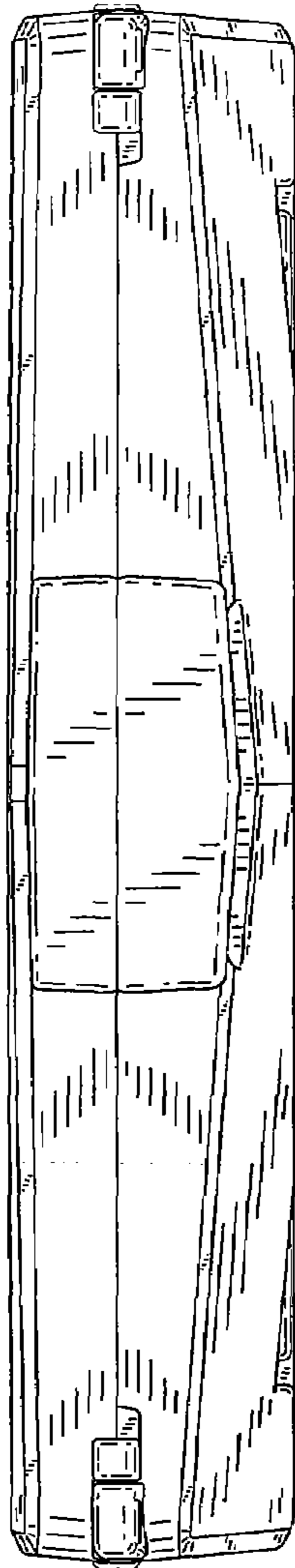
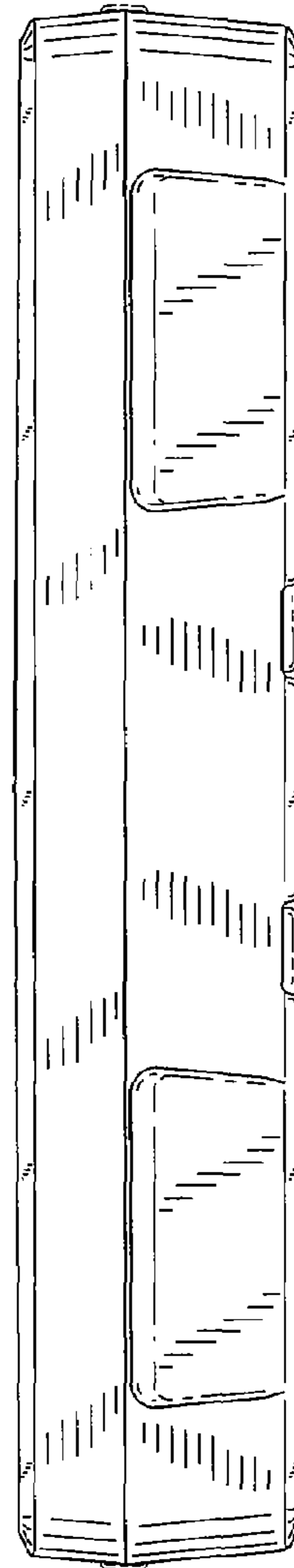


FIG. 3

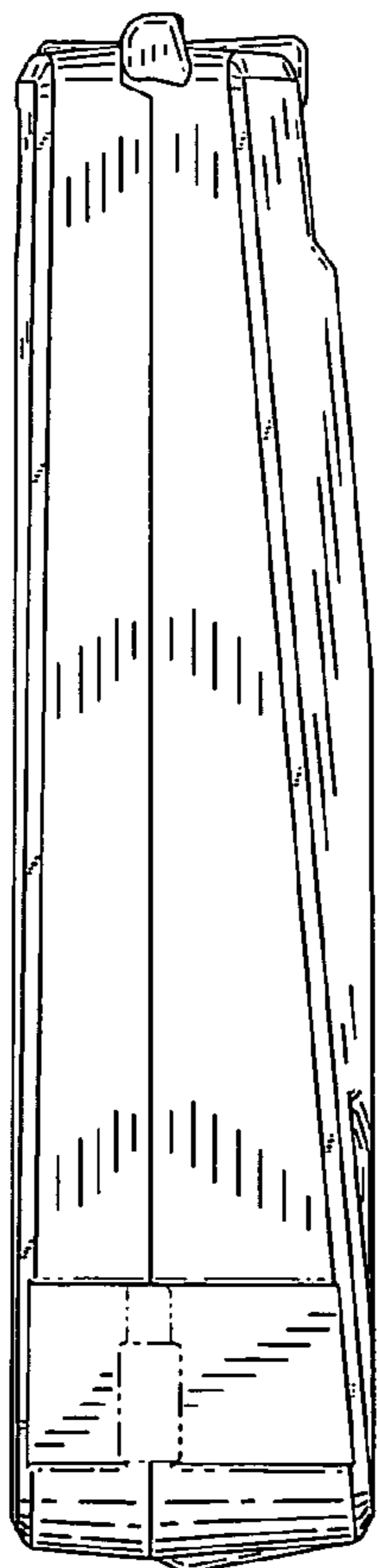


**FIG. 4**

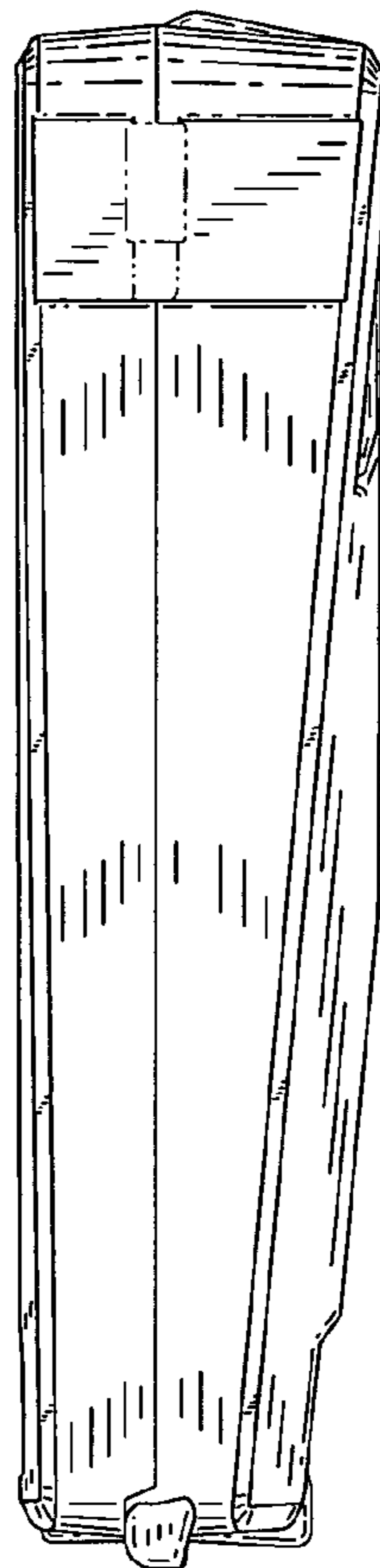


**FIG. 5**

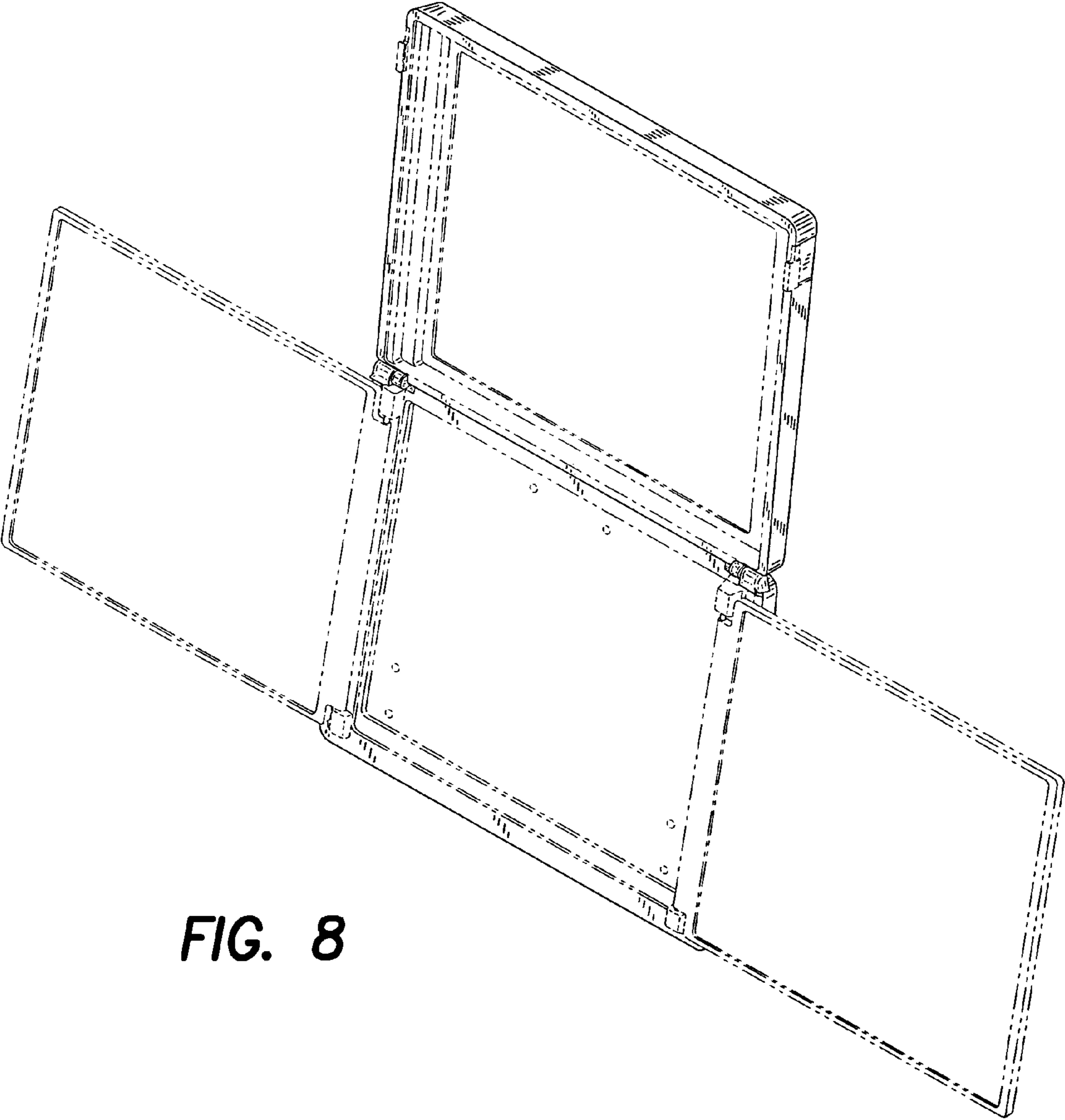




**FIG. 6**



**FIG. 7**



**FIG. 8**