



US00D613059S

(12) **United States Design Patent**  
**Horiyama et al.**

(10) **Patent No.:** **US D613,059 S**

(45) **Date of Patent:** **\*\* Apr. 6, 2010**

(54) **PLASTIC CASE**

(75) Inventors: **Toru Horiyama**, Anjo (JP); **Shinsuke Okuda**, Anjo (JP)

(73) Assignee: **Makita Corporation**, Anjo-shi (JP)

(\*\*) Term: **14 Years**

(21) Appl. No.: **29/344,167**

(22) Filed: **Sep. 24, 2009**

D413,203 S	8/1999	Zurwelle et al.
D417,781 S	12/1999	Staheli
D419,297 S	1/2000	Richardson et al.
D419,768 S	2/2000	Richardson et al.
D428,254 S	7/2000	Alexander-Katz
D429,884 S	8/2000	Zurwelle et al.
D432,304 S	10/2000	Zurwelle et al.
D448,167 S	9/2001	Pangerc et al.
D462,519 S	9/2002	Gaydos et al.
D516,310 S	3/2006	Brunson et al.
D516,808 S	3/2006	Brunson et al.
7,494,011 B2	2/2009	Henssler et al.

**Related U.S. Application Data**

(62) Division of application No. 29/311,077, filed on Dec. 18, 2008.

**Foreign Application Priority Data**

Jun. 23, 2008	(JP)	.....	D2008-015994
Jun. 23, 2008	(JP)	.....	D2008-015995
Jun. 23, 2008	(JP)	.....	D2008-015996

(51) **LOC (9) Cl.** ..... **03-01**

(52) **U.S. Cl.** ..... **D3/281**; D3/294; D3/905

(58) **Field of Classification Search** ..... D3/272-273, D3/276, 279-282, 291, 294-295, 905; 206/349, 206/372-373, 503, 508

See application file for complete search history.

(56) **References Cited**

**U.S. PATENT DOCUMENTS**

D234,273 S	2/1975	Wilson et al.
D294,775 S	3/1988	Rechberg
4,743,038 A	5/1988	Myers et al.
D385,109 S	10/1997	Staheli
D402,462 S	12/1998	Sanderson

**FOREIGN PATENT DOCUMENTS**

JP S-1268221 3/2006

*Primary Examiner*—Philip S Hyder

*Assistant Examiner*—Roselynn Cody

(74) *Attorney, Agent, or Firm*—Oliff & Berridge, PLC

(57) **CLAIM**

The ornamental design for a plastic case, as shown and described.

**DESCRIPTION**

FIG. 1 is a perspective view of a plastic case showing our new design;

FIG. 2 is a front elevation view thereof;

FIG. 3 is a rear elevation view thereof;

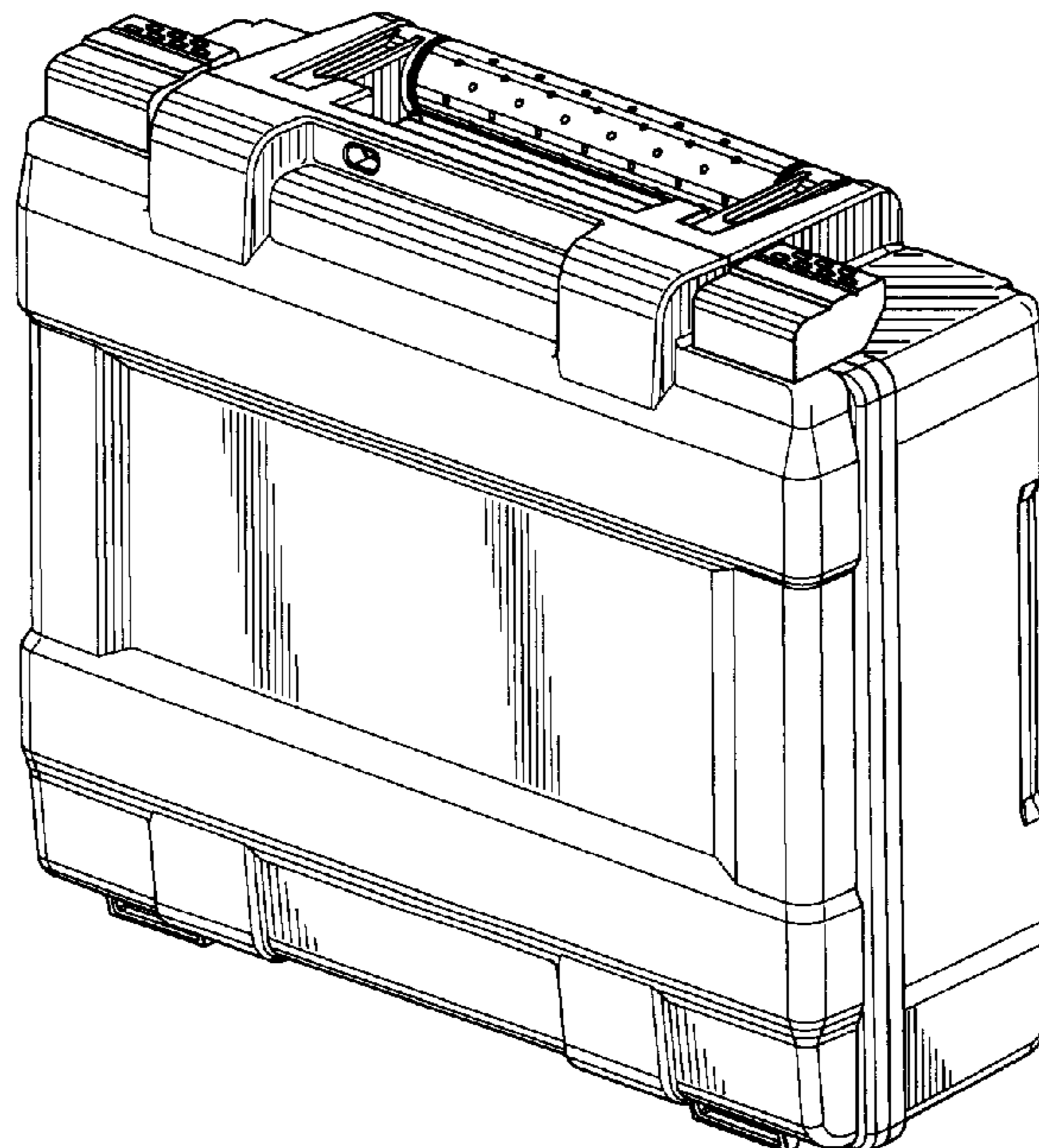
FIG. 4 is a left side elevation view thereof;

FIG. 5 is a right side elevation view thereof;

FIG. 6 is a top plan view thereof; and,

FIG. 7 is a bottom plan view thereof.

**1 Claim, 4 Drawing Sheets**



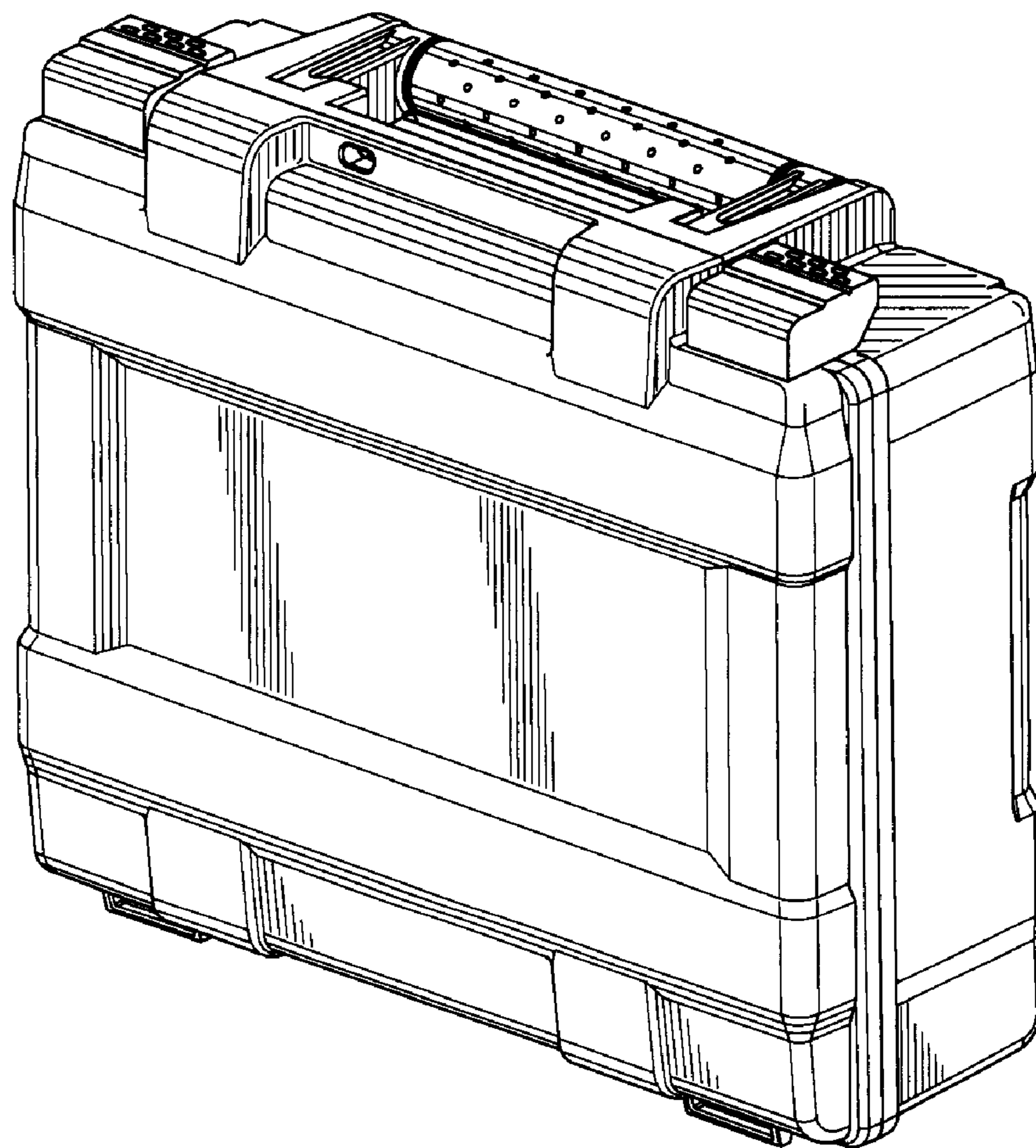


FIG. 1

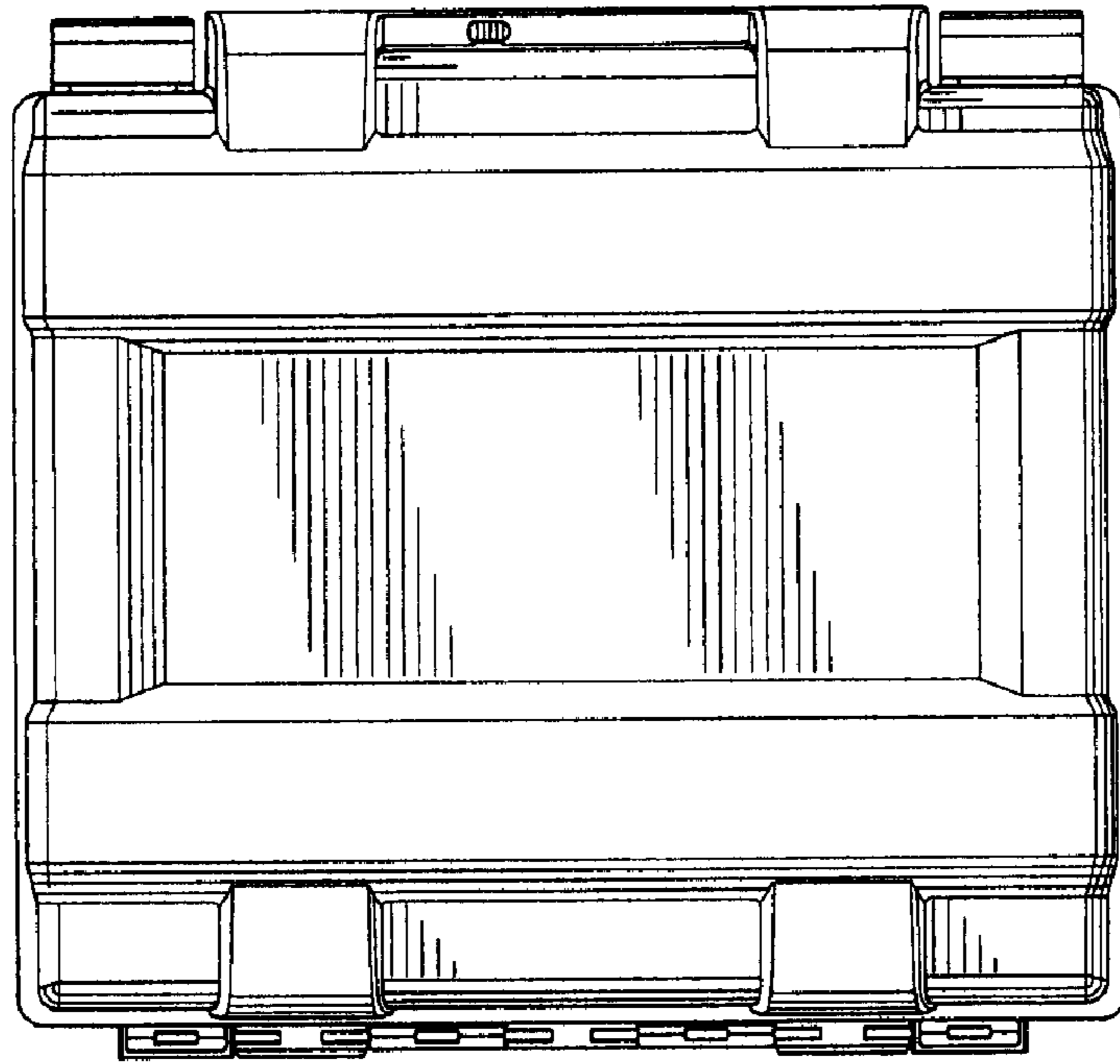


FIG. 2

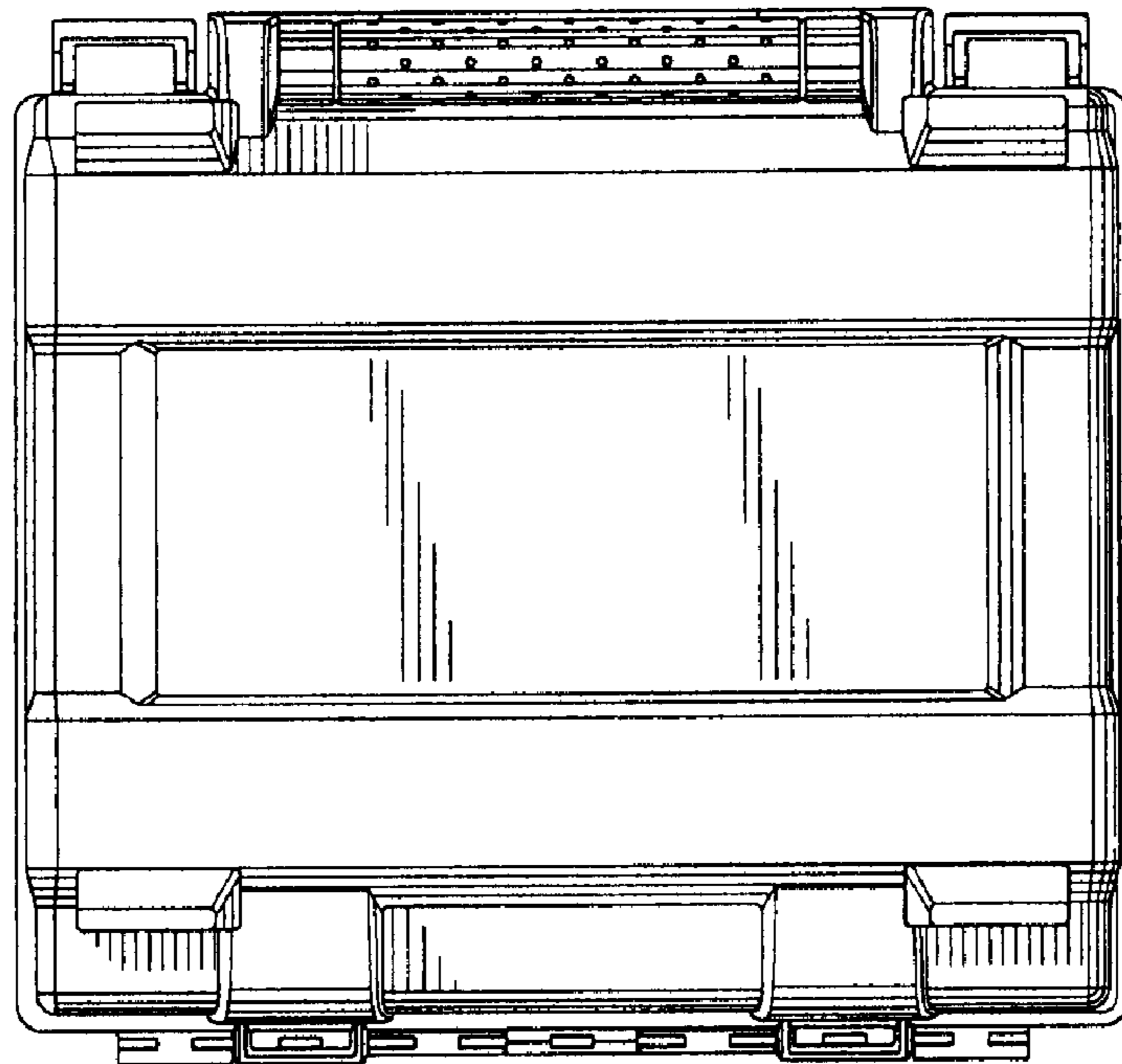


FIG. 3

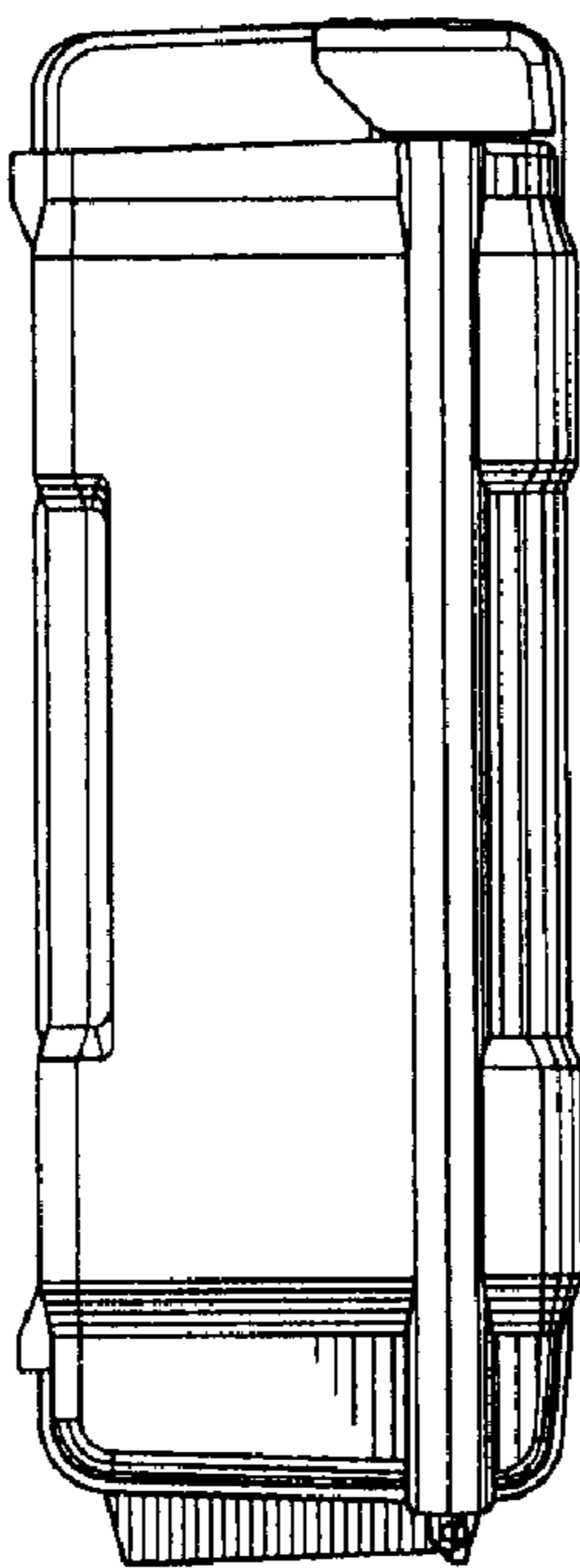


FIG. 4

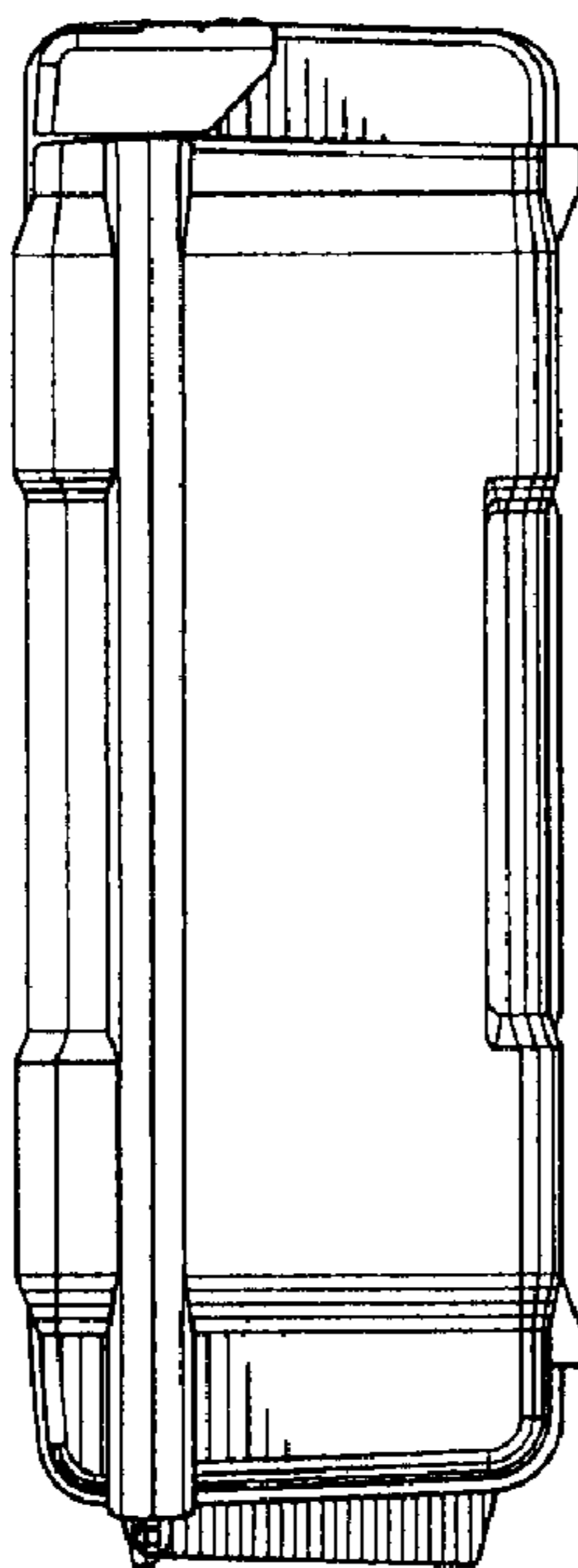


FIG. 5

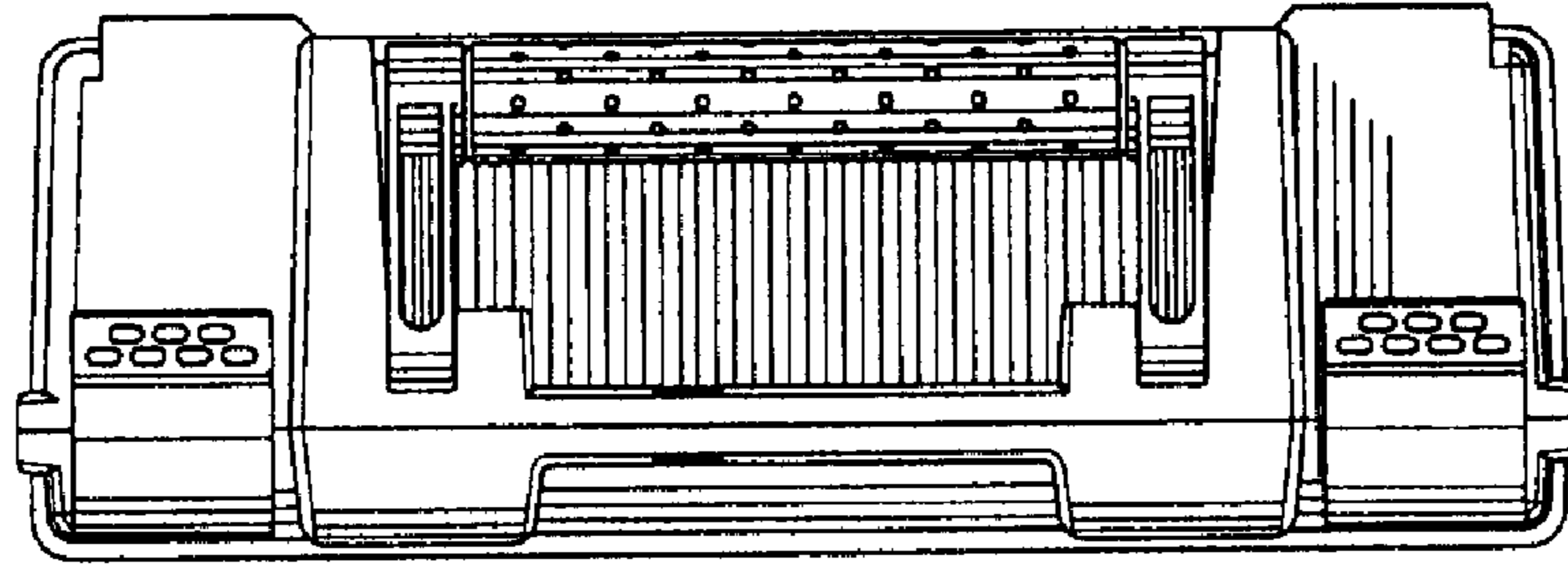


FIG. 6

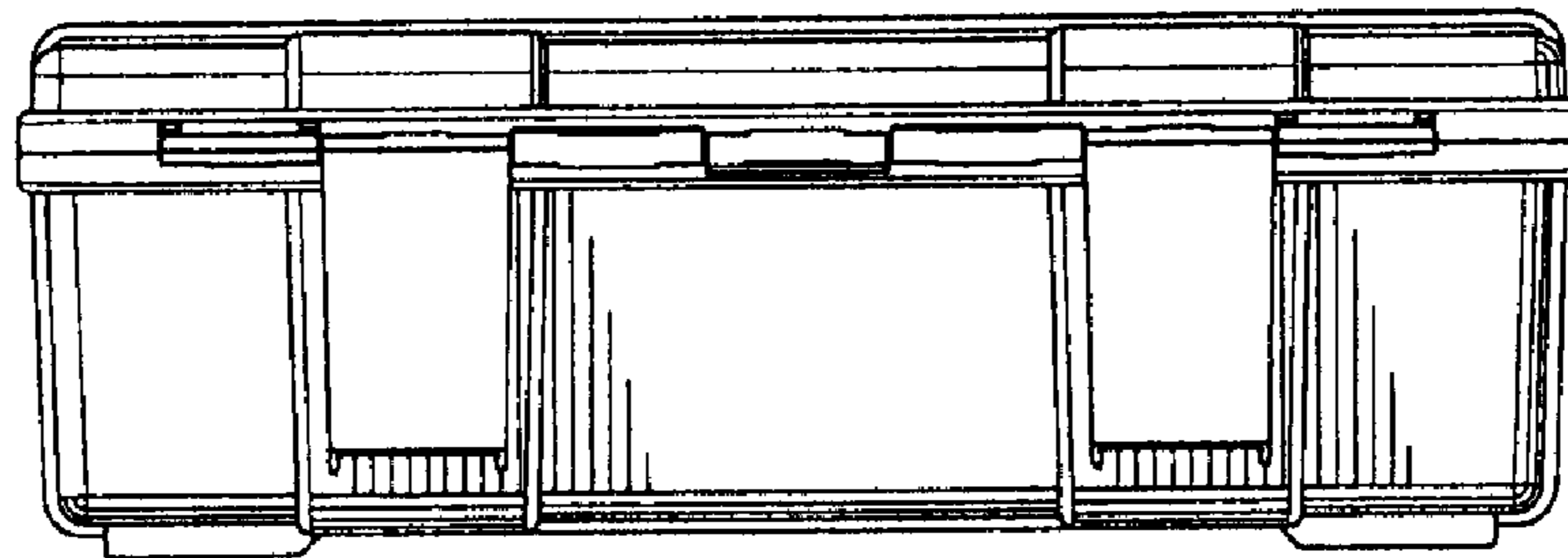


FIG. 7