



US00D613040S

(12) **United States Design Patent**  
**Pearson**

(10) **Patent No.:** **US D613,040 S**

(45) **Date of Patent:** **\*\* Apr. 6, 2010**

(54) **PONYTAIL ACCESSIBLE BUCKET HAT WITH SUNGLASSES HOLDER**

(76) Inventor: **Laura T. Pearson**, P.O. Box 1154,  
Kemmerer, WY (US) 83101

(\*\*) Term: **14 Years**

(21) Appl. No.: **29/344,246**

(22) Filed: **Sep. 25, 2009**

(51) **LOC (9) Cl.** ..... **02-03**

(52) **U.S. Cl.** ..... **D2/886**

(58) **Field of Classification Search** ..... D2/865,  
D2/866, 878, 879, 886; 2/171, 171.1, 171.4,  
2/171.5, 172, 175.1, 184.5, 209.3

See application file for complete search history.

(56) **References Cited**

U.S. PATENT DOCUMENTS

2,007,821	A *	7/1935	Alfons	.....	2/181
2,416,062	A *	2/1947	Mercer	.....	2/175.5
5,509,145	A	4/1996	Stevenson et al.		
5,511,249	A	4/1996	Higgins		
D390,687	S	2/1998	Kazel		
5,799,334	A	9/1998	Griffith et al.		
D405,590	S	2/1999	Bartz		
5,933,872	A	8/1999	Lema		
D482,186	S	11/2003	Pytanowski et al.		
D486,623	S *	2/2004	Mansell et al.	.....	D2/886
6,711,749	B2	3/2004	White et al.		
D493,605	S *	8/2004	Gilmore	.....	D2/869
D496,146	S *	9/2004	Appleberry	.....	D2/876
D503,261	S *	3/2005	Pedersen	.....	D2/882
D517,778	S *	3/2006	Steichen	.....	D2/869
7,107,625	B2 *	9/2006	St-Germain	.....	2/209.13

D532,185	S *	11/2006	St-Germain	.....	D2/866
D538,010	S *	3/2007	Pegula	.....	D2/878
D541,509	S *	5/2007	Sprowl	.....	D2/886
D593,732	S *	6/2009	Tilley et al.	.....	D2/886
2003/0135912	A1	7/2003	White et al.		
2004/0128740	A1	7/2004	Hoyez		

\* cited by examiner

*Primary Examiner*—Elizabeth A Albert  
*Assistant Examiner*—Karen E Eldridge Powers

(57) **CLAIM**

The ornamental design for a ponytail accessible bucket hat with sunglasses holder, as shown and described.

**DESCRIPTION**

FIG. 1 is a perspective view of a ponytail accessible bucket hat with sunglasses holder, showing my new design with the flap in the open position;

FIG. 2 is a side view thereof;

FIG. 3 is a back view thereof;

FIG. 4 is a front view thereof;

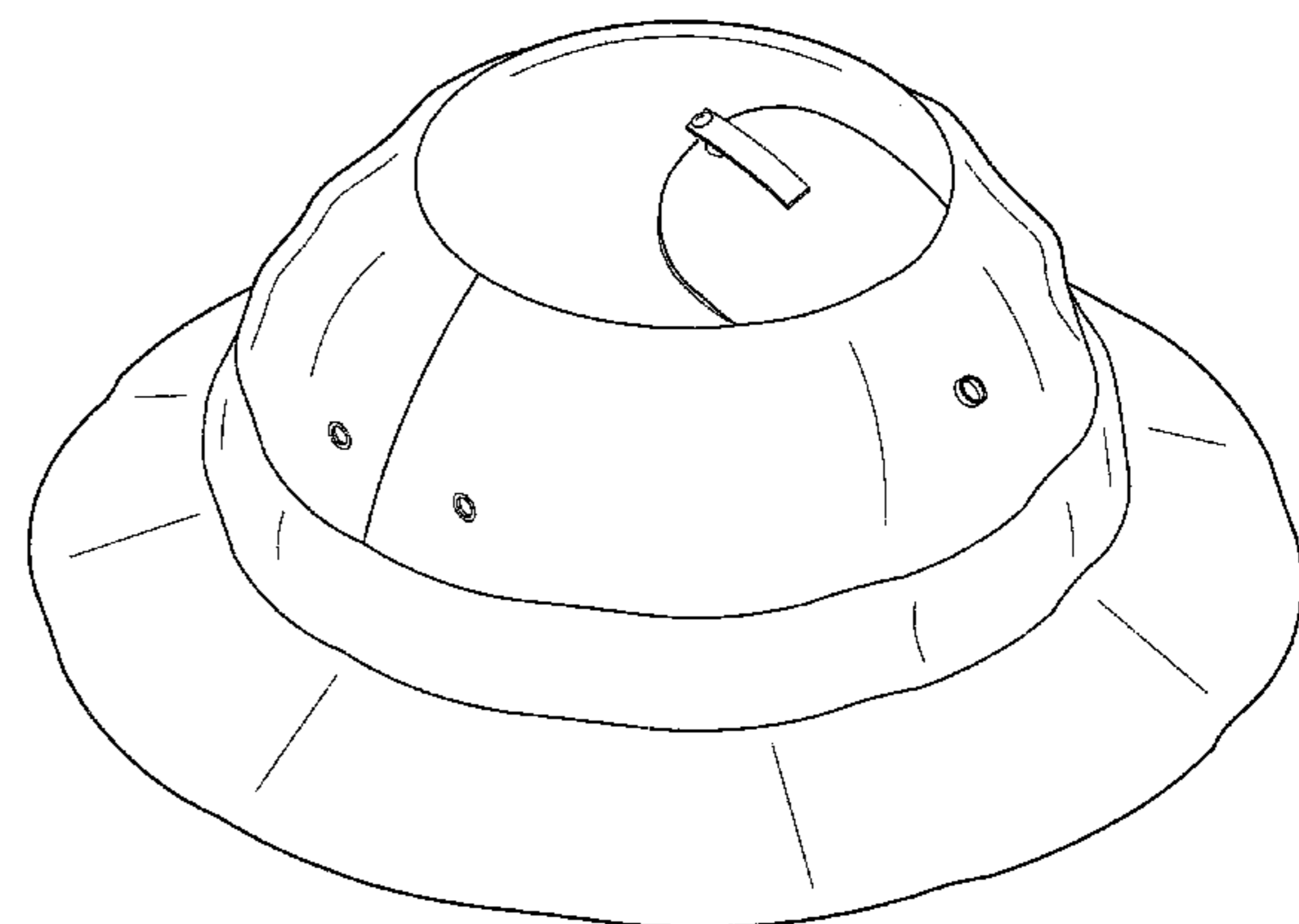
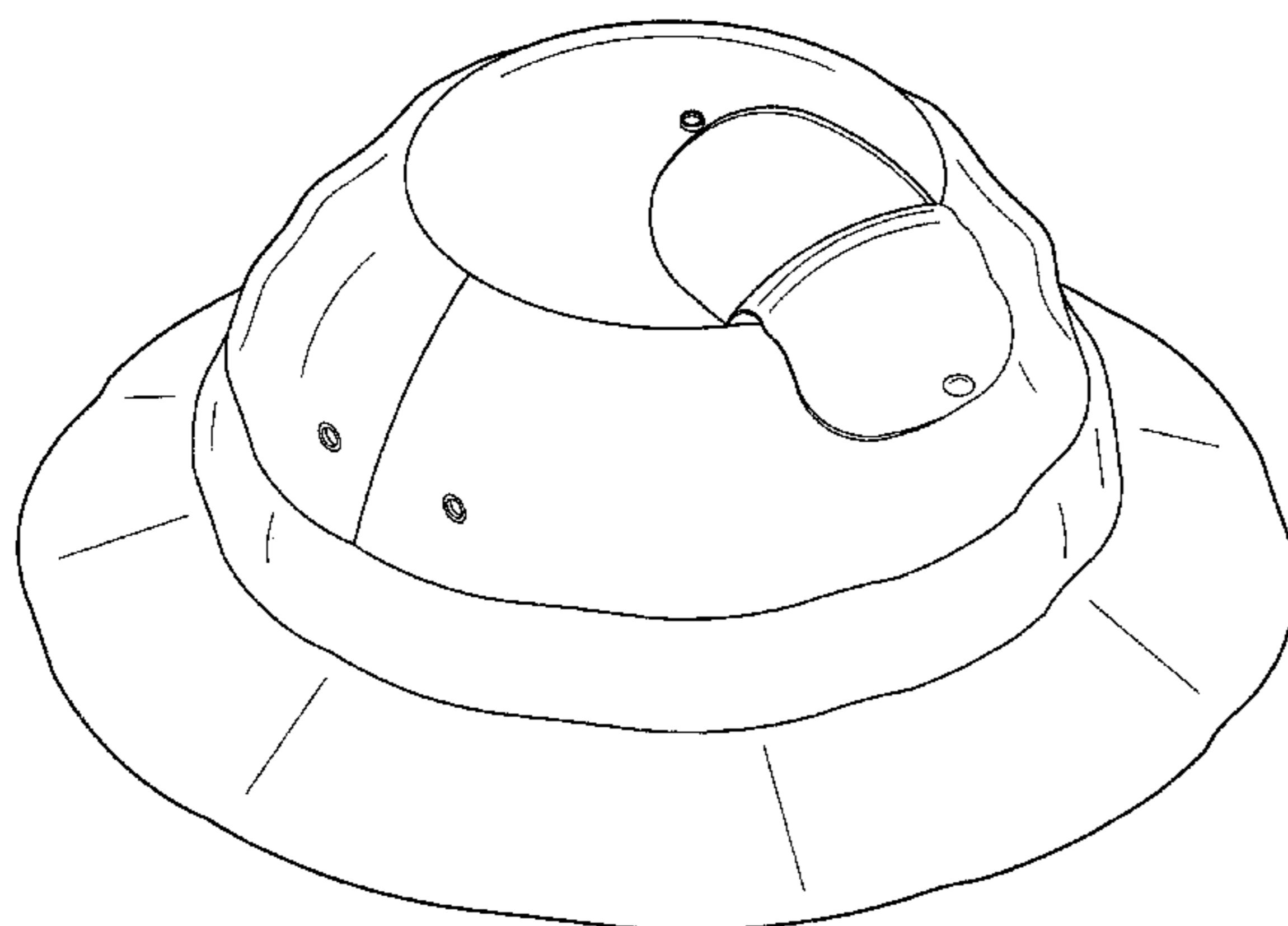
FIG. 5 is a top view thereof;

FIG. 6 is a bottom view thereof; and,

FIG. 7 is a perspective view of a ponytail accessible bucket hat with sunglasses holder, with the flap in the closed position.

In FIG. 5, the broken lines showing environmental structure are for the purpose of illustrating the ponytail accessible bucket hat with sunglasses holder in a condition of use. The broken lines and the structure they depict form no part of the claimed design.

**1 Claim, 7 Drawing Sheets**



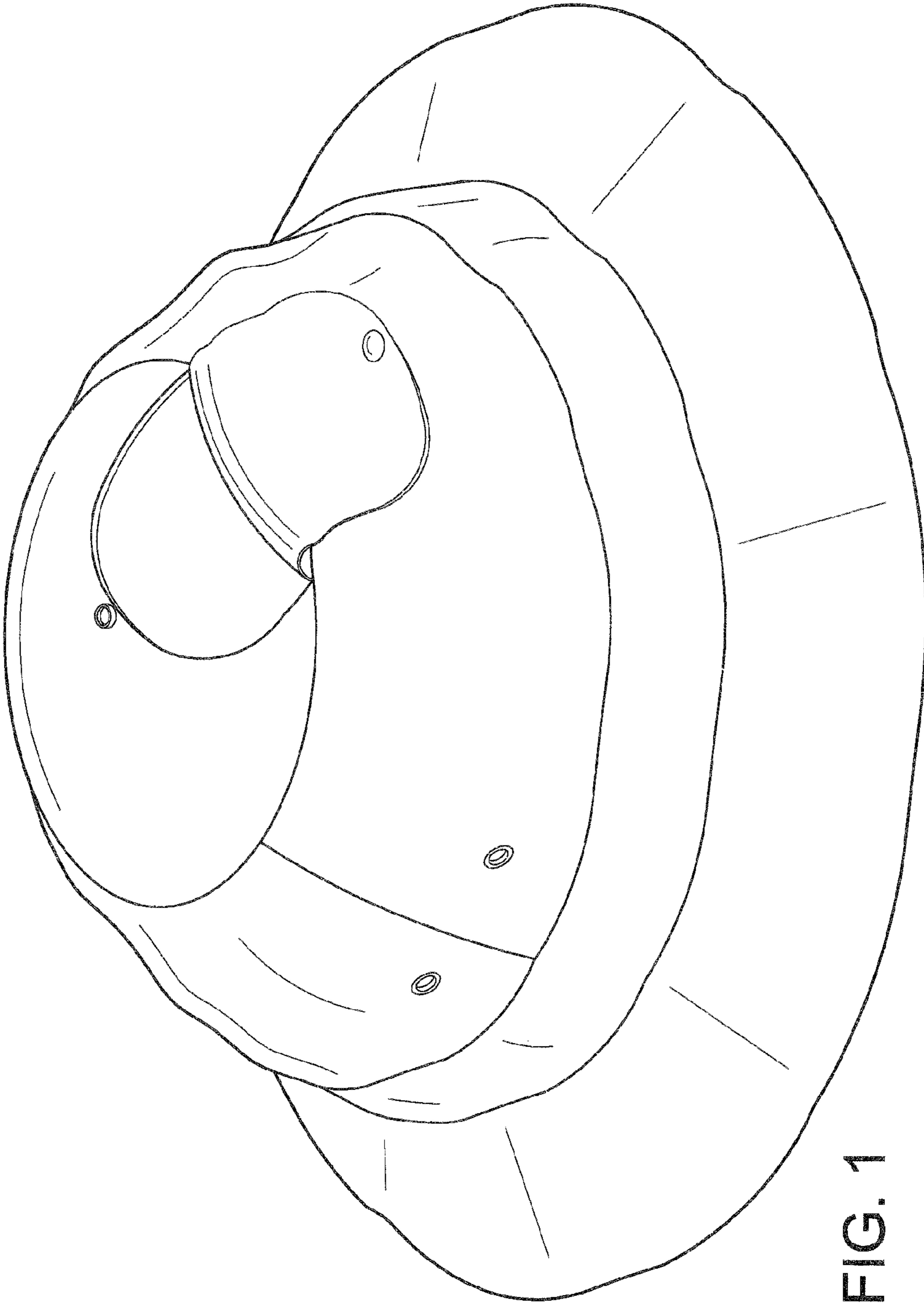


FIG. 1

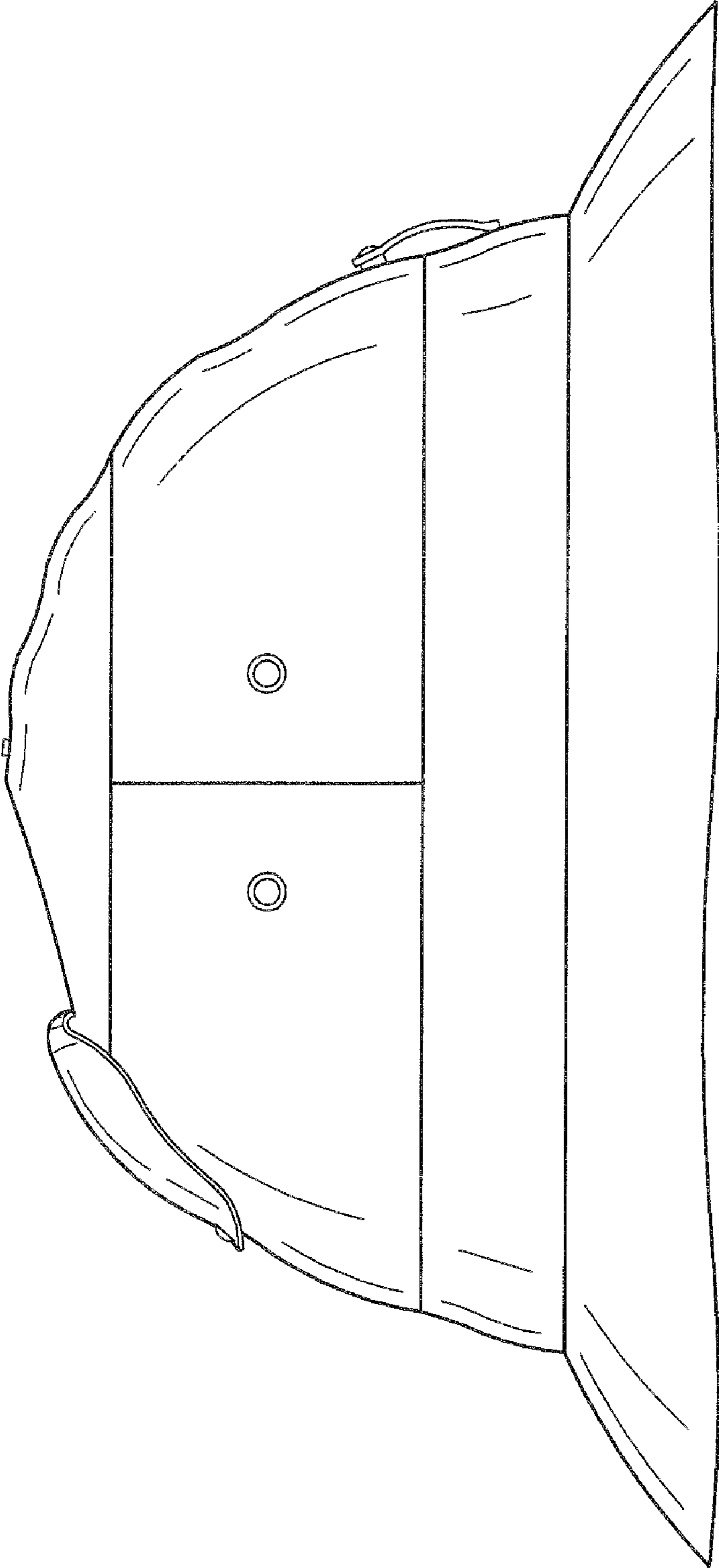


FIG. 2

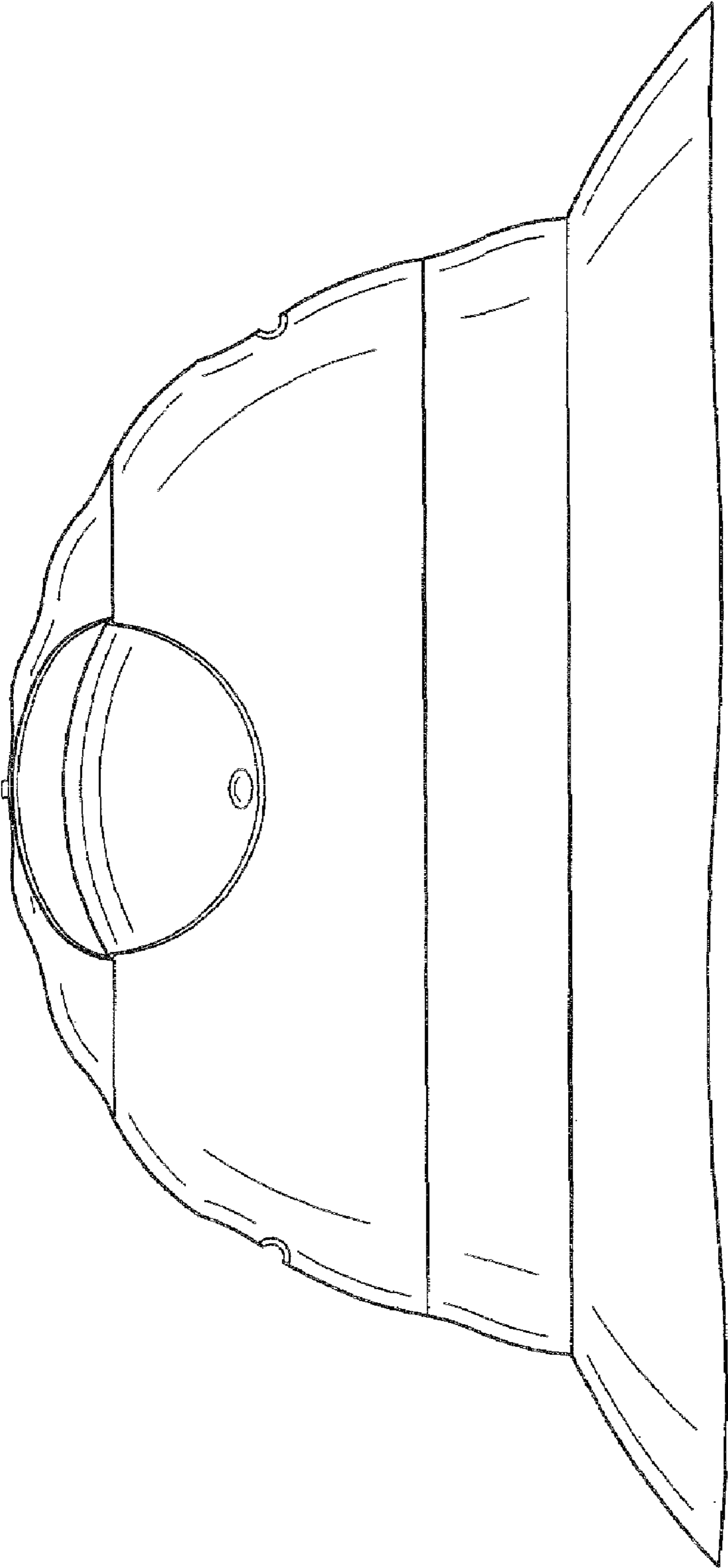


FIG. 3

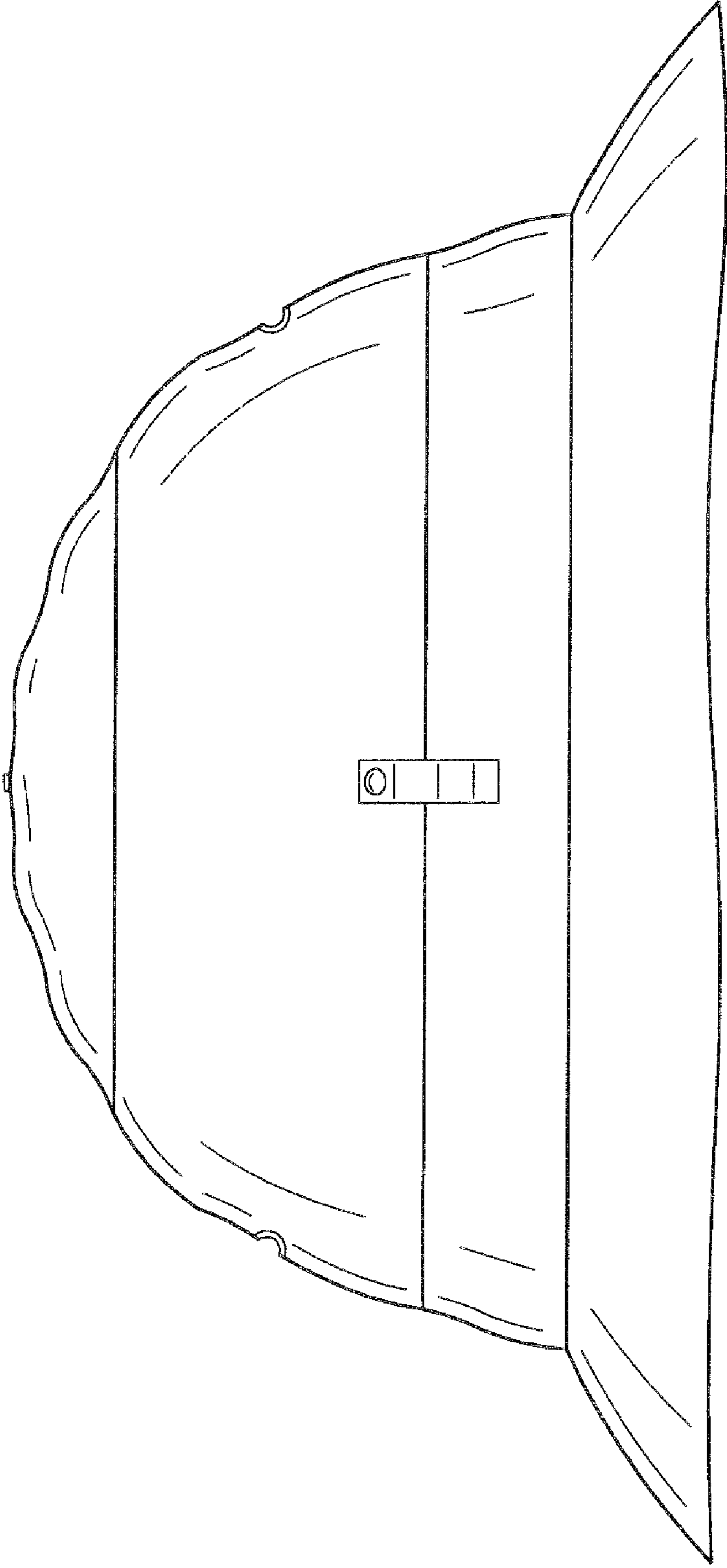


FIG. 4

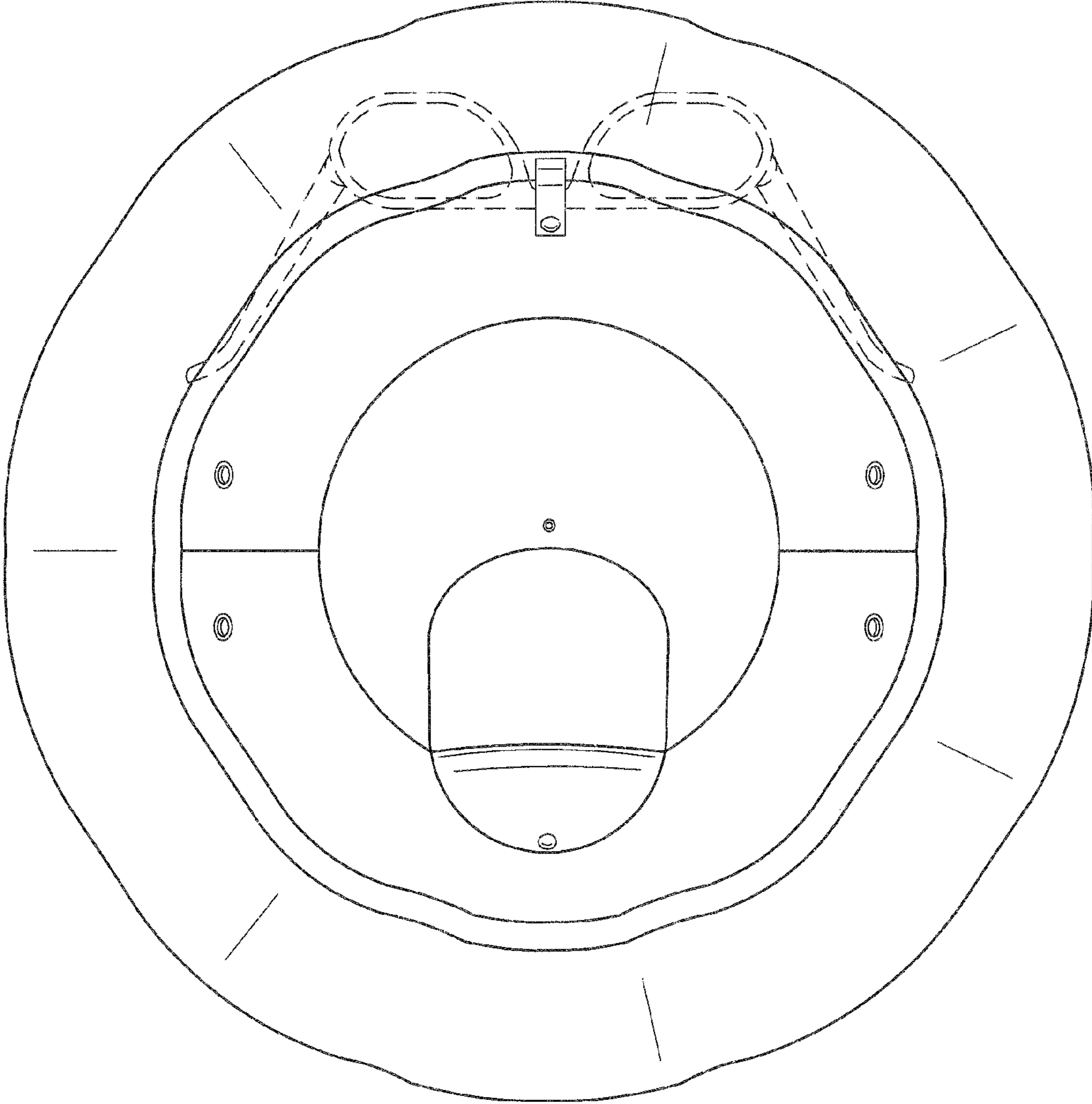


FIG. 5

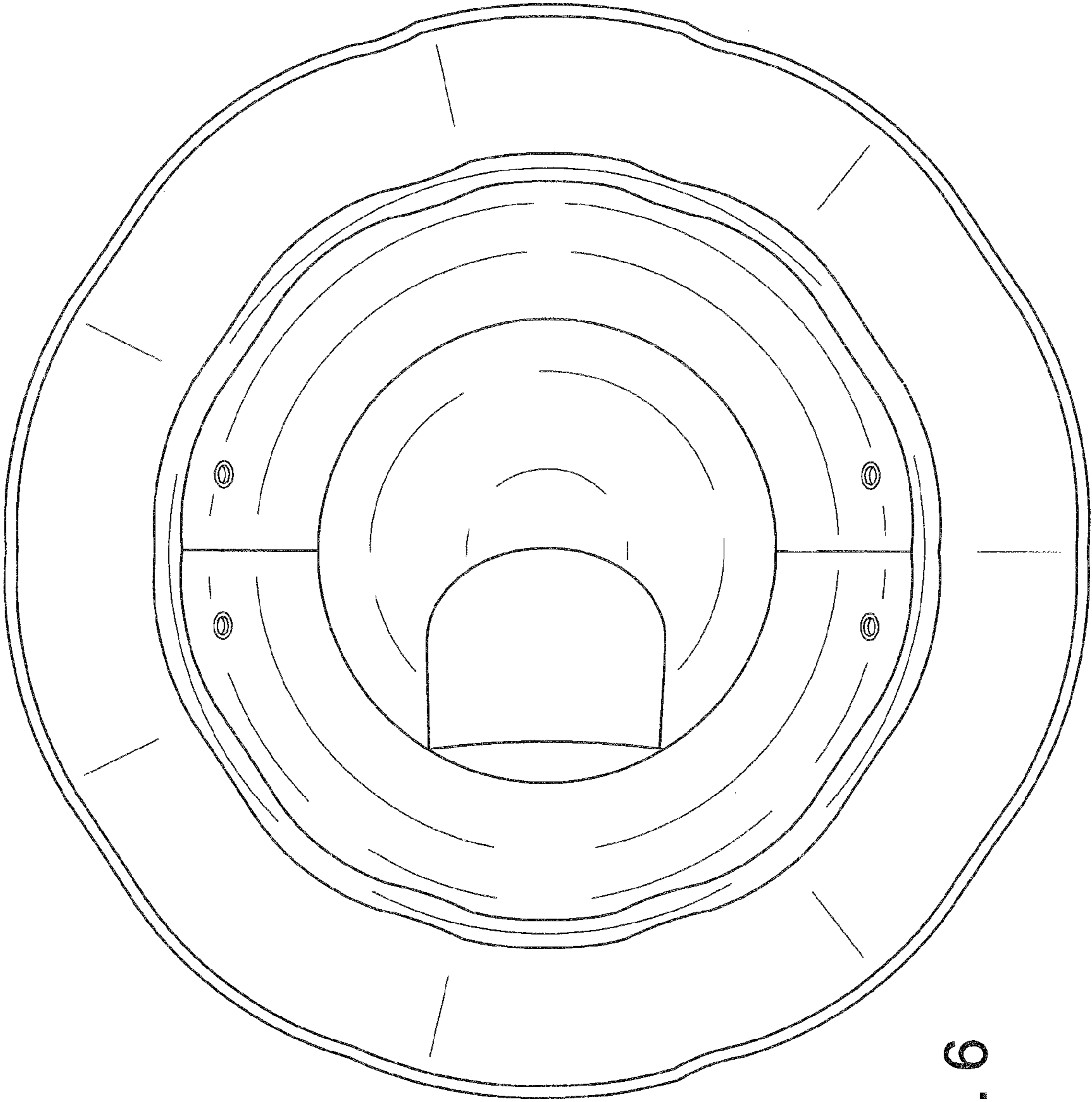


FIG. 6

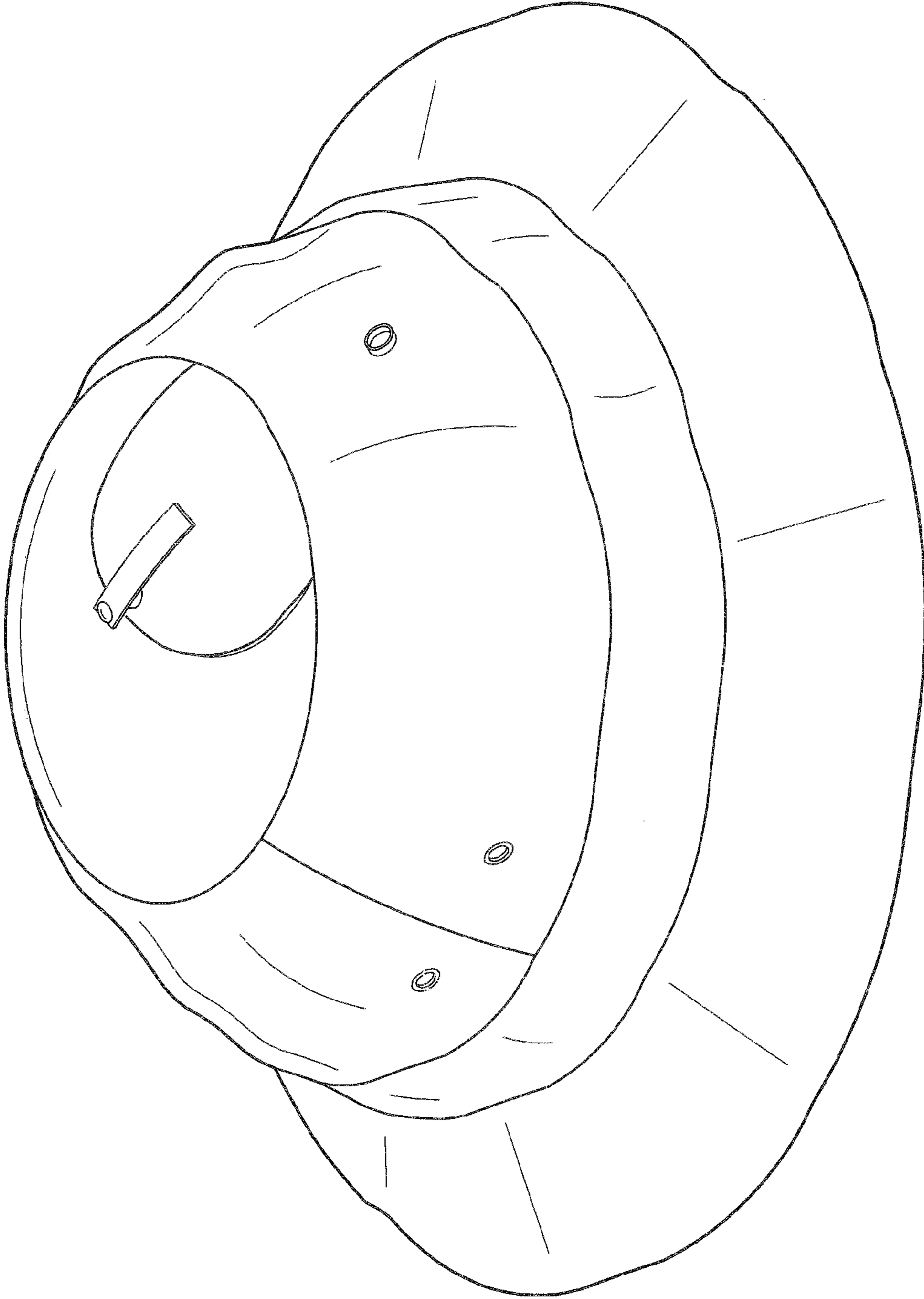


FIG. 7