



US00D613034S

(12) **United States Design Patent**
Gulley

(10) **Patent No.:** **US D613,034 S**

(45) **Date of Patent:** **** Apr. 6, 2010**

(54) **BOOT JACK**

(76) Inventor: **Allan L. Gulley**, 7720 NW. 23rd St.,
Margate, FL (US) 33063-7951

(**) Term: **14 Years**

(21) Appl. No.: **29/339,042**

(22) Filed: **Jun. 23, 2009**

(51) **LOC (9) Cl.** **07-99**

(52) **U.S. Cl.** **D2/642**

(58) **Field of Classification Search** D2/641-642,
D2/999; 223/111, 113-120
See application file for complete search history.

(56) **References Cited**

U.S. PATENT DOCUMENTS

D159,714 S *	8/1950	Brackin	D2/642
D164,768 S *	10/1951	Fowler	D27/107
D229,118 S *	11/1973	Shechtman	D2/642
D229,377 S *	11/1973	Johnson	D6/416
3,784,067 A *	1/1974	Hicks	223/114
D250,866 S *	1/1979	Mulligan	D6/404
D257,188 S *	10/1980	Blich	D2/642
D259,301 S *	5/1981	Cowart et al.	D2/642
4,355,744 A *	10/1982	Dudley	223/114
5,050,784 A *	9/1991	Turner	223/114

D354,841 S *	1/1995	Bussell	D2/642
5,566,868 A *	10/1996	Mariscal et al.	223/113
D503,544 S *	4/2005	Scanlan	D6/320

* cited by examiner

Primary Examiner—T. Chase Nelson
Assistant Examiner—Kathleen M Sims
(74) *Attorney, Agent, or Firm*—Robert C. Kain, Jr.

(57) **CLAIM**

I claim the ornamental design for a boot jack, as shown.

DESCRIPTION

FIG. 1 is a top plan view of the boot jack showing my new design.

FIG. 2 is a bottom plan view of the boot jack.

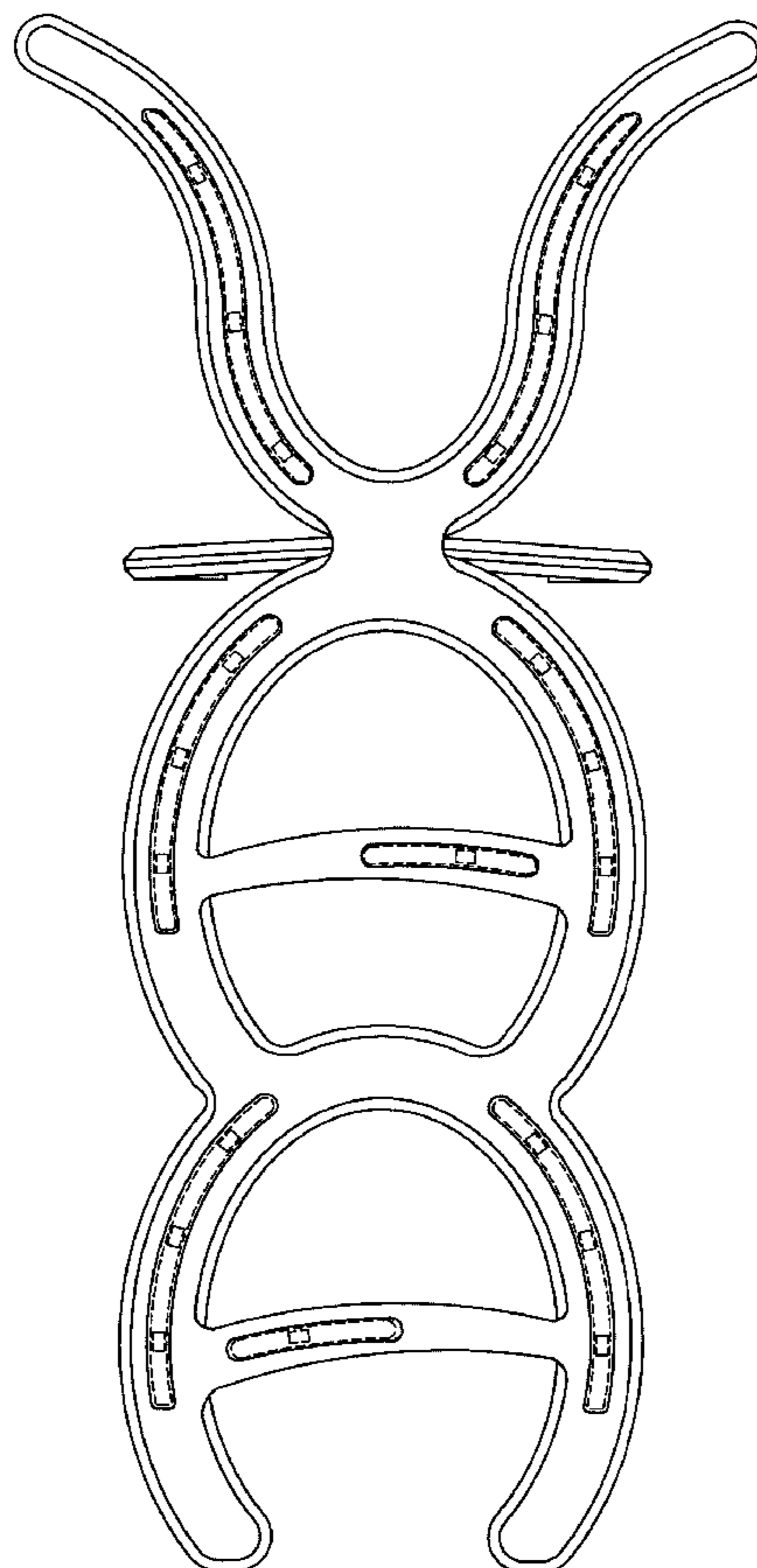
FIG. 3 is a right side view of the boot jack (the left side view begin a mirror image of the right side view).

FIG. 4 is a rear view of the boot jack; and,

FIG. 5 is a front view of the boot jack.

The broken line showing of details in FIGS. 1, 2, 4, and 5 is included for the purpose of showing boundaries and the environmental portions within the boundaries of the boot jack and forms no part of the claimed design.

1 Claim, 5 Drawing Sheets



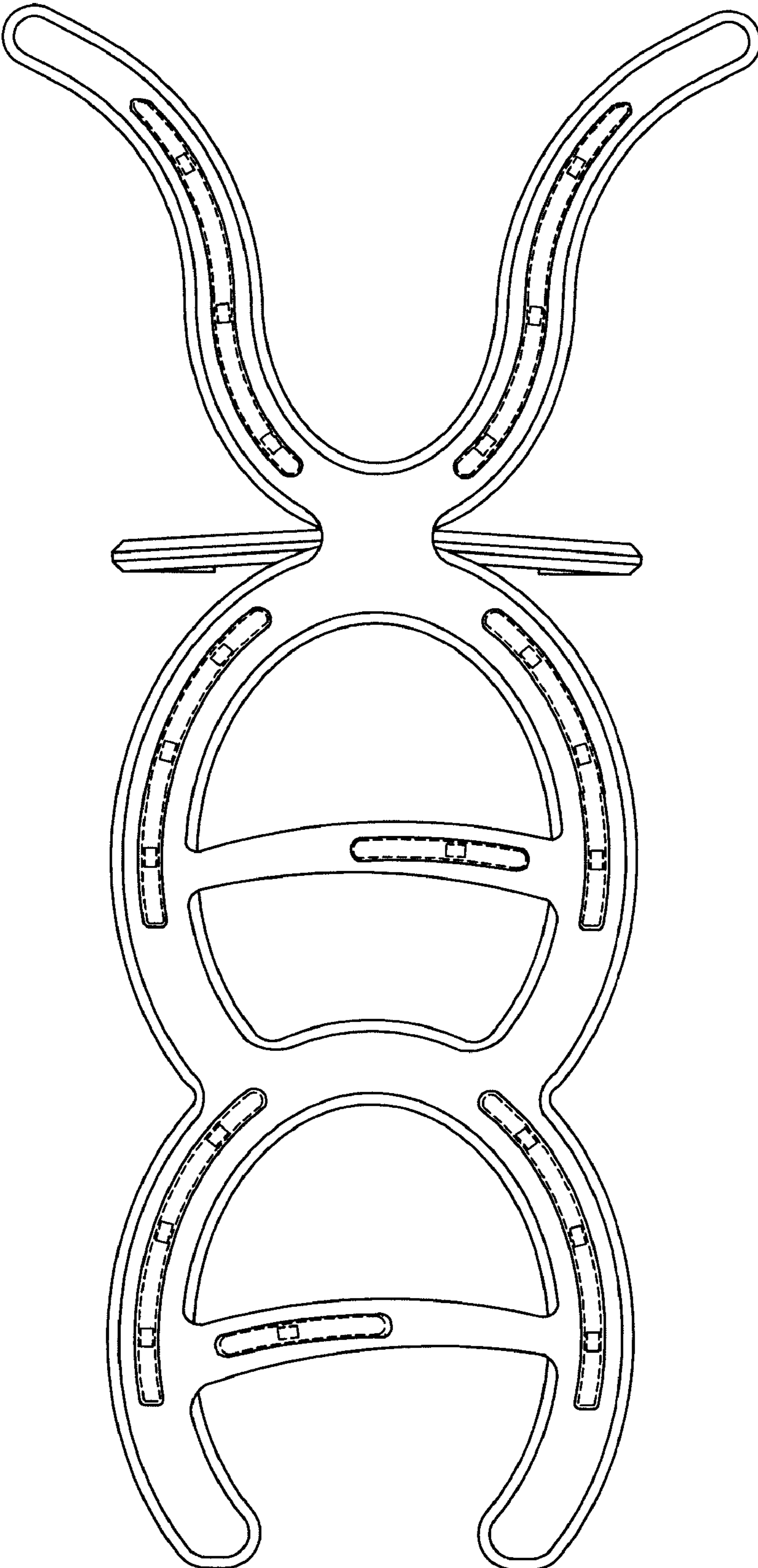


FIG. 1

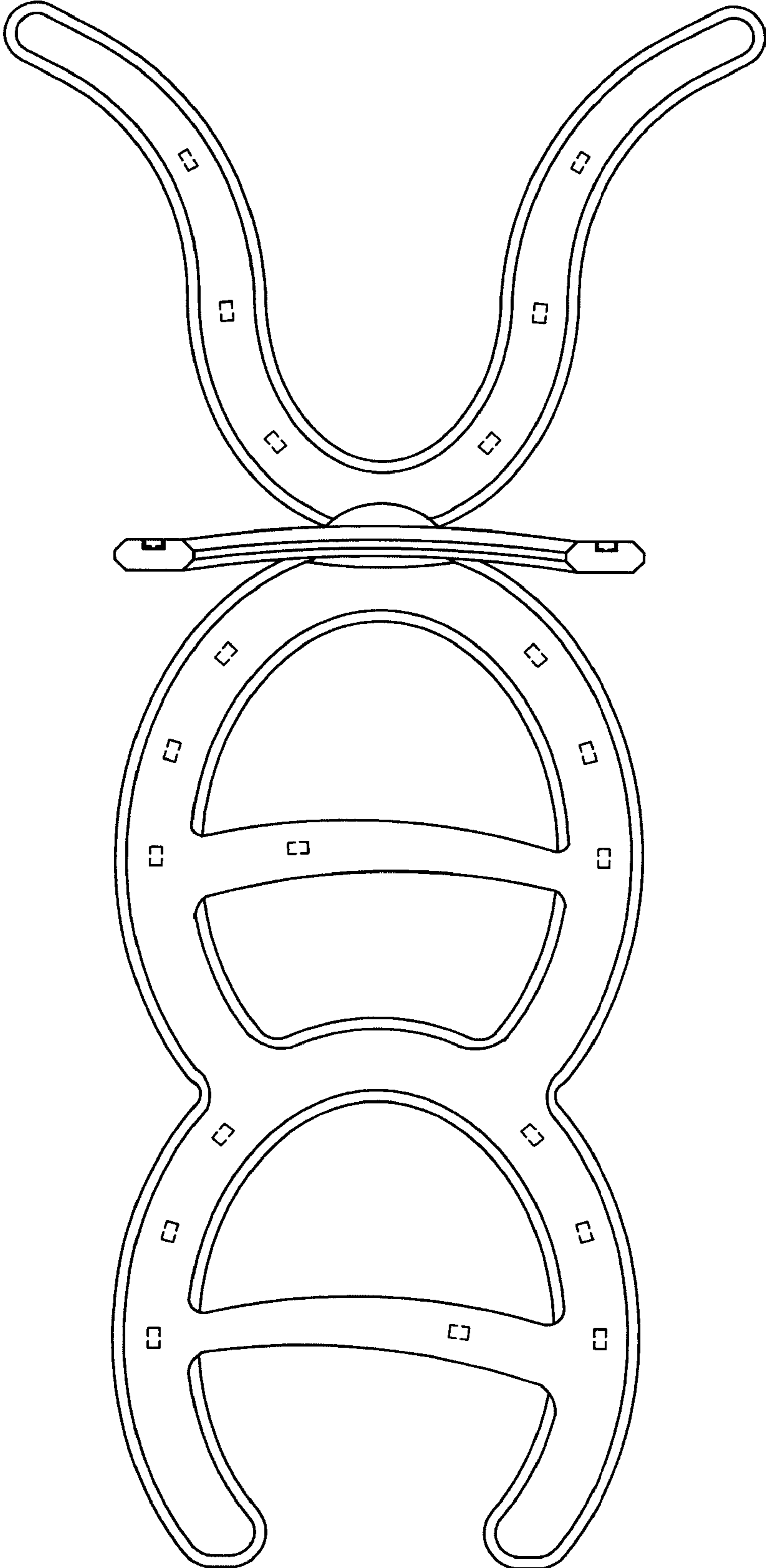


FIG. 2

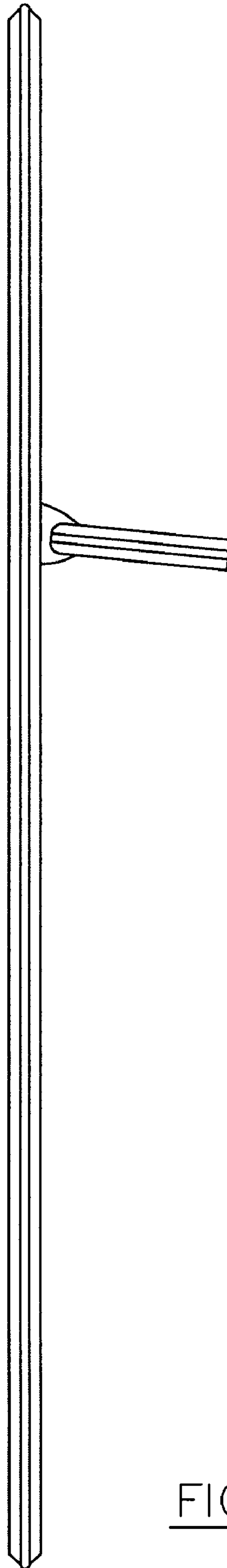


FIG. 3

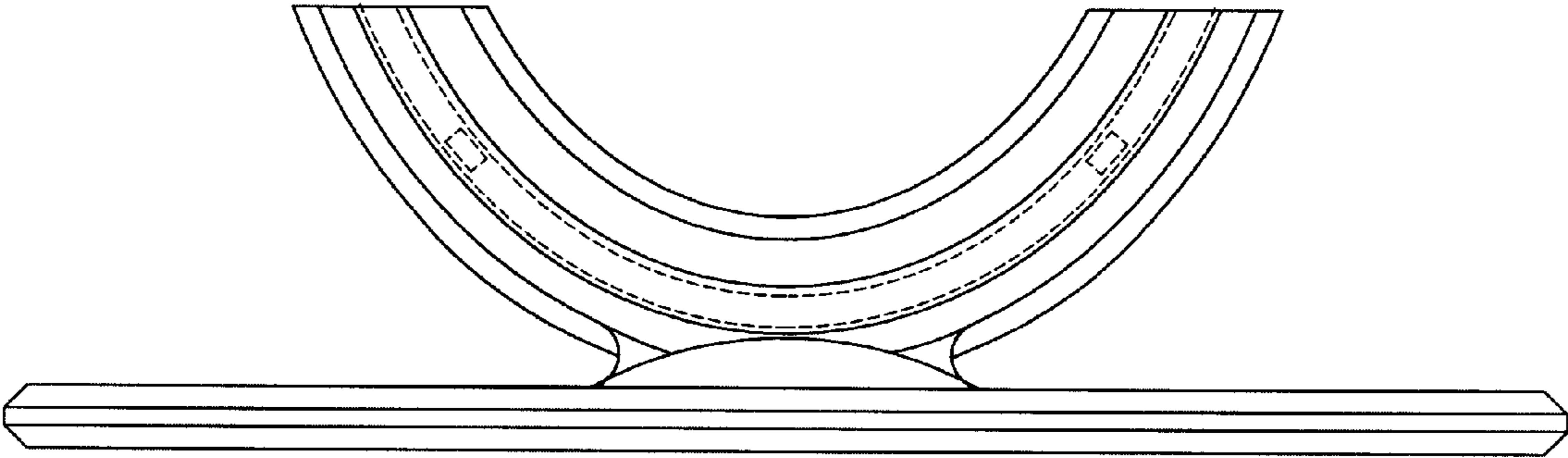


FIG. 4

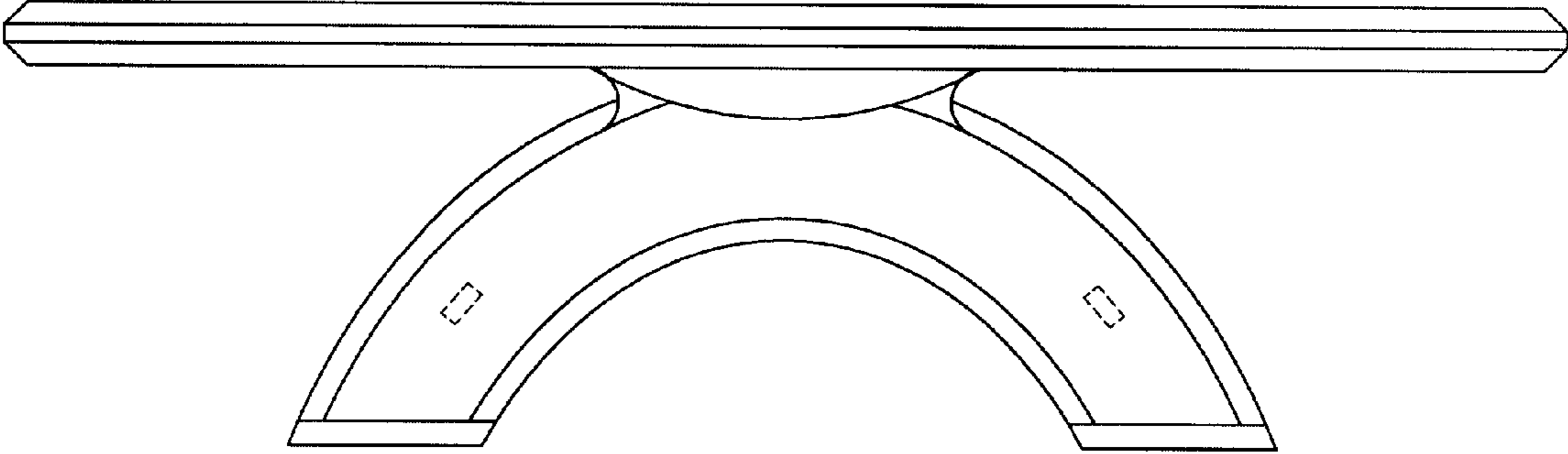


FIG.5
